

WEATHERLY INDEX 084

Transmission Parts List

T210-SST-6+1

March 1982

1207 Series

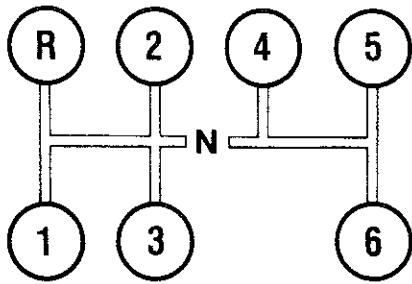
Main Transmission



RATIO TABLE

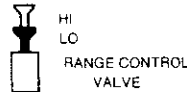
SPEEDS	MODELS		
	1207-2A	1207-2B	1207-3A
Highway 1st Hi	8.53	8.53	7.47
2nd	5.52	4.87	4.55
3rd	3.57	3.00	2.75
4th	2.27	1.90	1.67
5th	1.51	1.33	1.00
6th	1.00	1.00	.77
Rev. Hi	8.53	8.53	7.47
Off Highway 1st Lo	14.49	14.49	12.68
Rev. Lo	14.49	14.49	12.68

SHIFT PATTERN



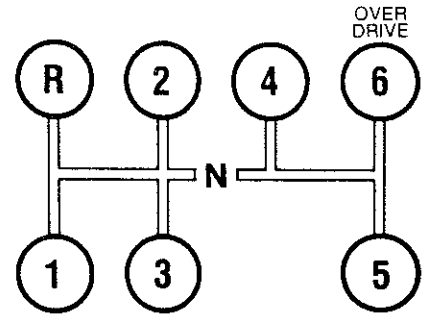
SD-SST6-1-D

SST-6+1 SPICER®



CAUTION: USE LOW RANGE (RANGE CONTROL BUTTON DOWN) FOR OFF HIGHWAY 1st AND REVERSE SHIFT POSITIONS ONLY. TRANSMISSION CANNOT BE SHIFTED INTO 2, 3, 4, 5 or 6 SHIFT LEVER POSITIONS WHEN RANGE CONTROL VALVE IS IN LOW RANGE (RANGE CONTROL BUTTON DOWN). USE HIGH RANGE (RANGE CONTROL BUTTON UP) FOR ON HIGHWAY USE IN ALL FORWARD GEARS.

SD-SST6+1



SD-SST6+1-O

IDENTIFICATION

The Name Plate (NP-96) affixed to the REAR of the Transmission is stamped with information:

In requesting more information on these transmissions, please furnish this information.

SERIAL

B/M No. MODEL

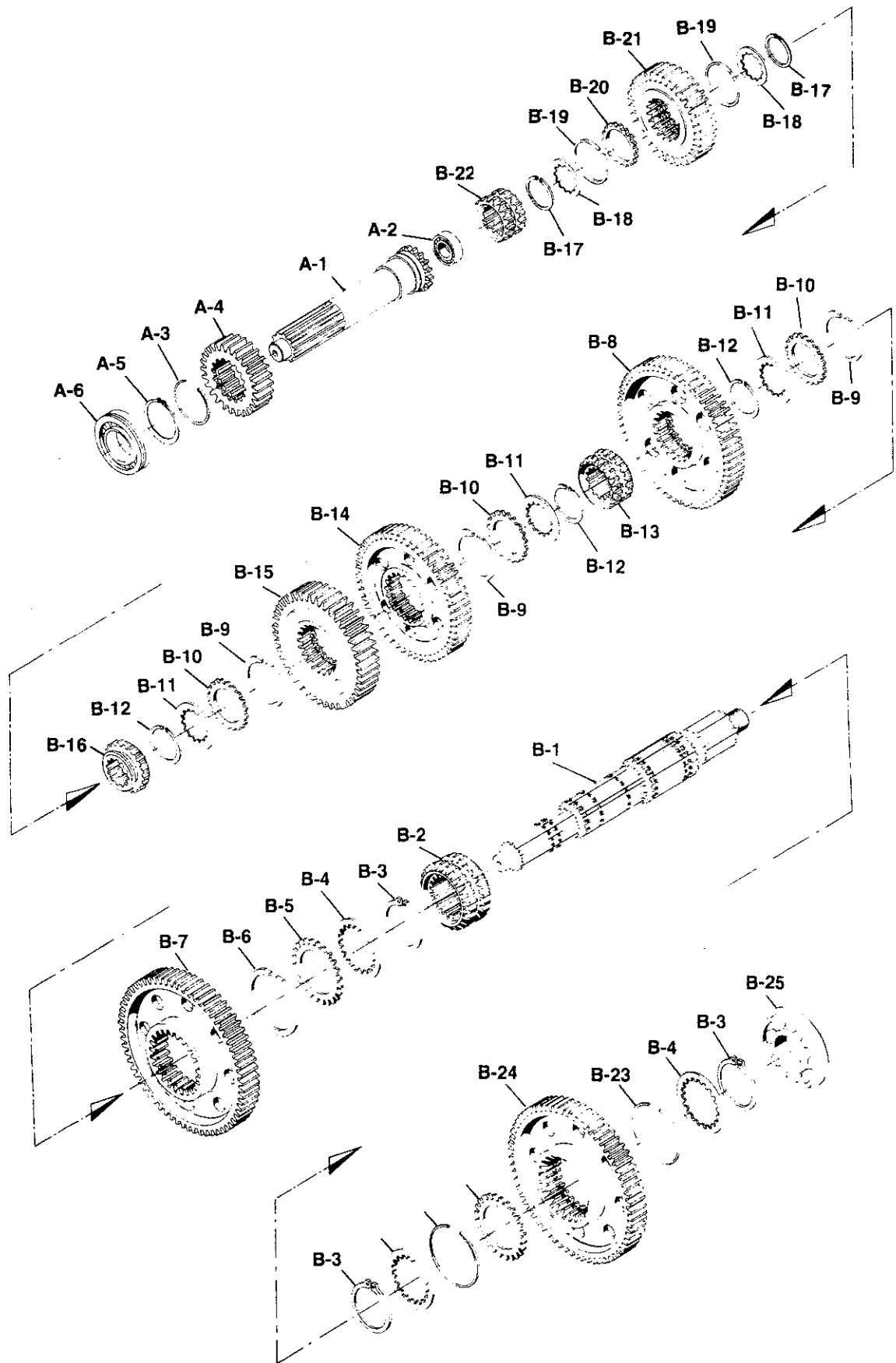
In requesting more information on these transmissions, furnish the B/M No. and the Serial Number.

Abbreviations used in this parts list include:

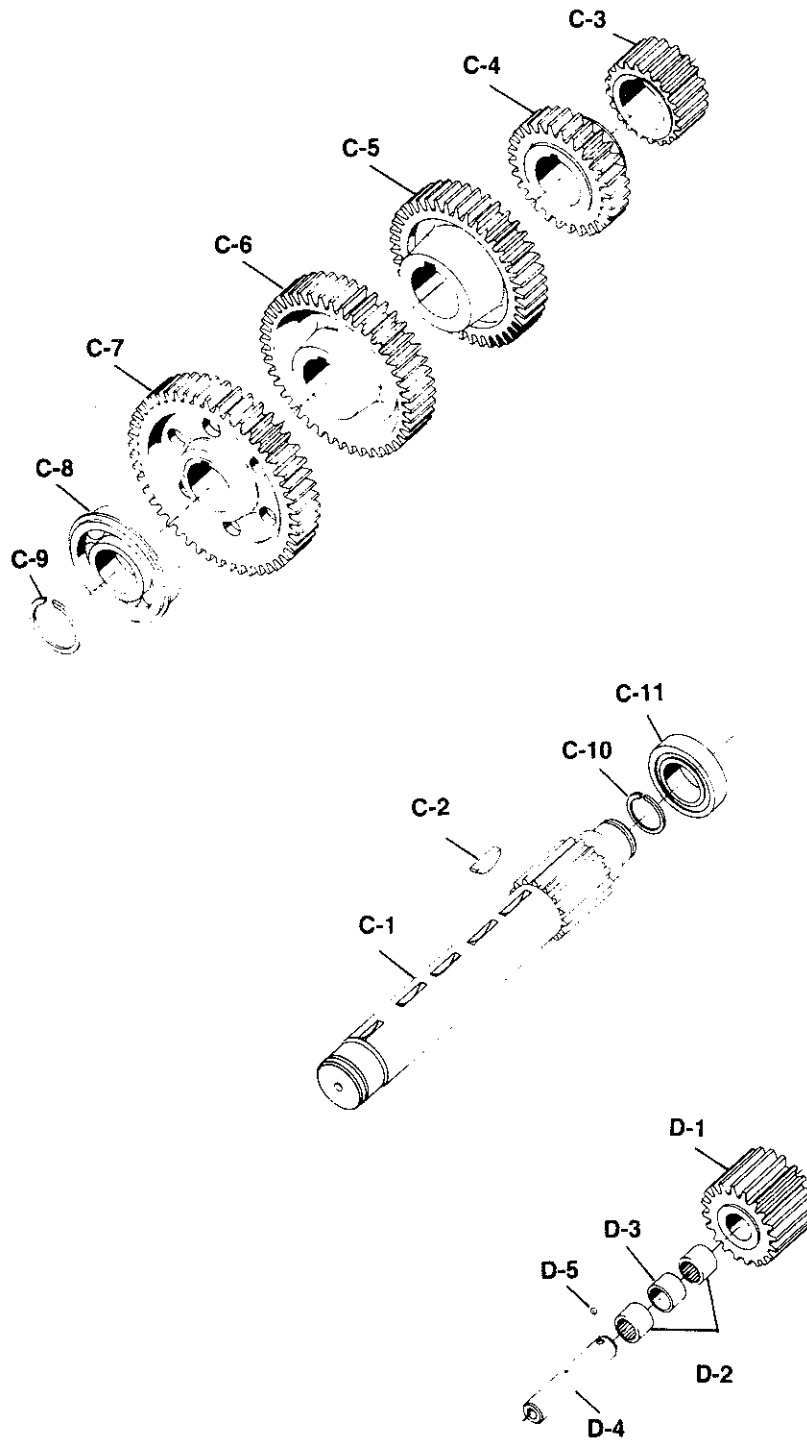
- N.S.—Not Shown
- N.S.S.—Not Sold Separately
- N.R.—Not Required

MODEL 1207

GEARS and RELATED PARTS (Front Case)

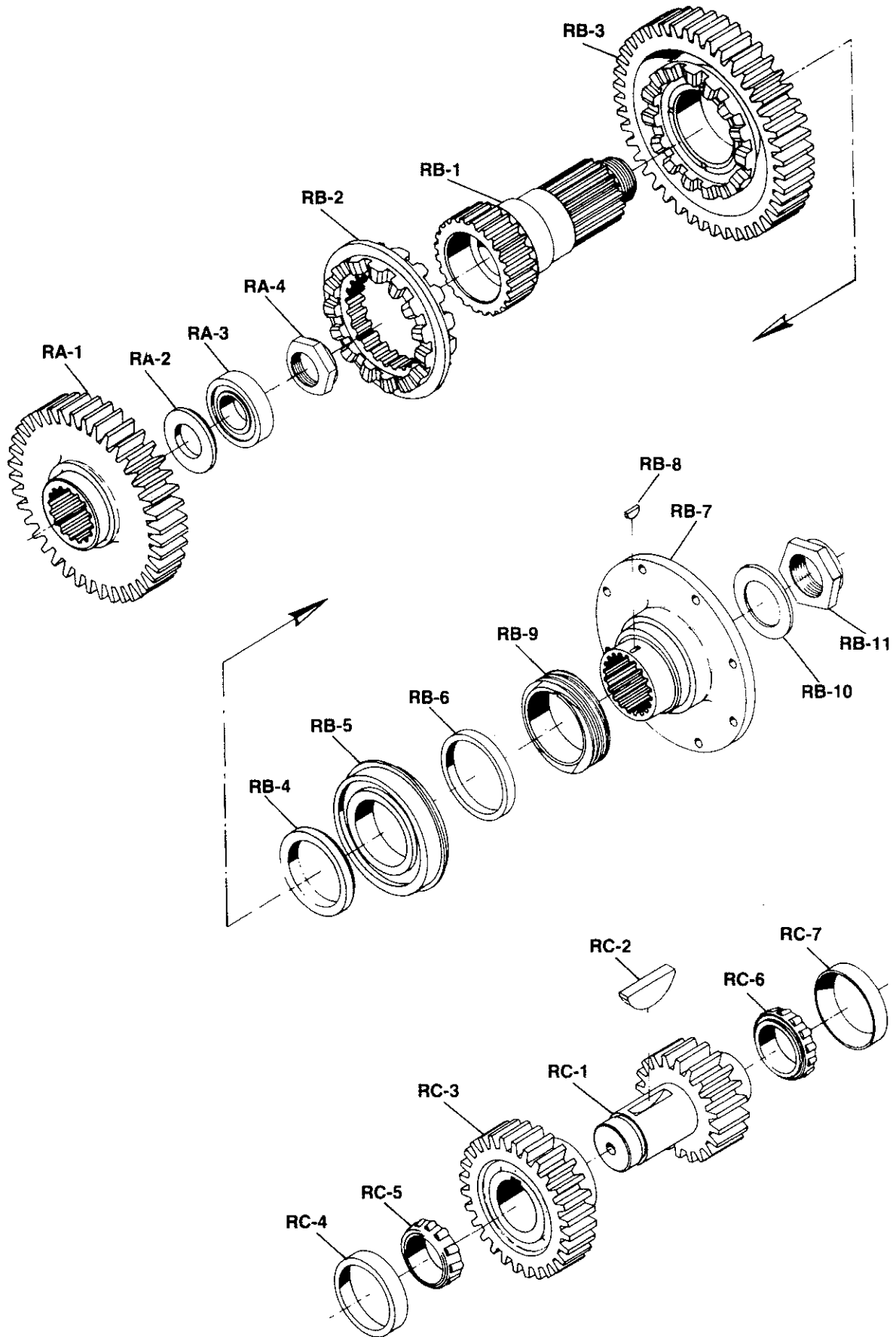


Ref. No.	Part No.	Part Description	Qty.
DRIVE GEAR GROUP			
A-1	97-35-54	Drive Gear Input Shaft 2"-10 spline	1
A-2	550946	Pocket Bearing	1
A-3	97-381-2	Snap Ring	1
A-4	97-35-48	Drive Gear	1
	97-35-51	(28T) – for 1207-3A	
	70-381-6	(26T) – for 1207-2A and 1207-2B	
A-5	70-381-6	Snap Ring – retainer	1
A-6	550944	Bearing	1
MAINSHAFT GROUP			
B-1	97-362-47	Mainshaft	1
B-2	97-465-24	Clutch Collar – 1st and reverse	1
B-3	98-381-1	Snap Ring	3
B-4	330869	Thrust Washer – internal (18T)	3
B-5	330810	Thrust Washer – external (24T)	2
B-6	98-381-2	Snap Ring	1
B-7	97-8-113	1st Gear (64T) – Hi-Lo	1
B-8		2nd Gear	1
	97-8-122	(58T) – for 1207-2A	
	97-8-123	(56T) – for 1207-2B	
	97-8-126	(52T) – for 1207-3A	
B-9	97-381-1	Snap Ring	3
B-10	330814	Thrust Washer – external (20T)	3
B-11	330730	Thrust Washer – internal (15T)	3
B-12	97-381-4	Snap Ring	3
B-13	97-465-21	Clutch Collar – 2nd and 3rd	1
B-14		3rd Gear	1
	97-8-6	(50T) – for 1207-2A	
	97-8-22	(48T) – for 1207-2B	
	97-8-71	(44T) – for 1207-3A	
B-15		4th Gear	1
	97-8-8	(42T) – for 1207-2A	
	97-8-24	(38T) – for 1207-2B and 1207-3A	
B-16	97-465-23	Clutch Collar – 4th gear	1
B-17	97-381-2	Snap Ring	2
B-18	330735	Thrust Washer – internal (13T)	2
B-19	97-381-35	Snap Ring	2
B-20	330732	Thrust Washer – external (17T)	1
B-21		5th Gear (Direct Drive on 6th)	1
	97-8-10	(34T) – for 1207-2A	
	97-8-26	(32T) – for 1207-2B	
B-21	97-8-73	6th Gear Overdrive (Direct Drive on 5th) – for 1207-3A	1
B-22	97-465-4	Clutch Collar – 5th gear or Overdrive and direct drive	1
B-23	97-381-32	Snap Ring	2
B-24	97-8-182	Reverse Gear (64T)	1
B-25	550925	Bearing – rear	1





Ref. No.	Part No.	Part Description	Qty.
COUNTERSHAFT GROUP			
C-1	97-30-46	Countershaft	2
C-2	500010-8	Woodruff Key #29	10
C-3		2nd Gear	2
	97-196-1	(21T) – for 1207-2A	
	97-196-17	(23T) – for 1207-2B	
	97-196-29	(20T) – for 1207-3A	
C-4		3rd Gear	2
	97-196-3	(28T) – for 1207-2A	
	97-196-19	(32T) – for 1207-2B	
	97-196-46	(28T) – for 1207-3A	
C-5		4th Gear	2
	97-196-83	(37T) – for 1207-2A	
	97-196-85	(40T) – for 1207-2B and 1207-3A	
C-6		5th Gear	2
	97-196-75	(45T) – for 1207-2A	
	97-196-79	(48T) – for 1207-2B	
C-6	97-196-81	6th Overdrive Gear (54T) – for 1207-3A	2
C-7		Drive Gear – direct drive	2
	97-1-1	(52T) – for 1207-2A and 1207-2B	
	97-1-3	(49T) – for 1207-3A	
C-8	550031	Bearing – front	2
C-9	97-381-30	Snap Ring – retainer	2
C-10	97-381-34	Backing Ring	2
C-11	550950	Bearing – rear	2
REVERSE IDLER GEAR GROUP			
D-1	97-5-1	Gear	2
D-2	550886	Bearing	4
D-3	97-37-1	Spacer	2
D-4	97-60-1	Shaft	2
D-5	500566-8	Lockball – 9/32" diameter	2





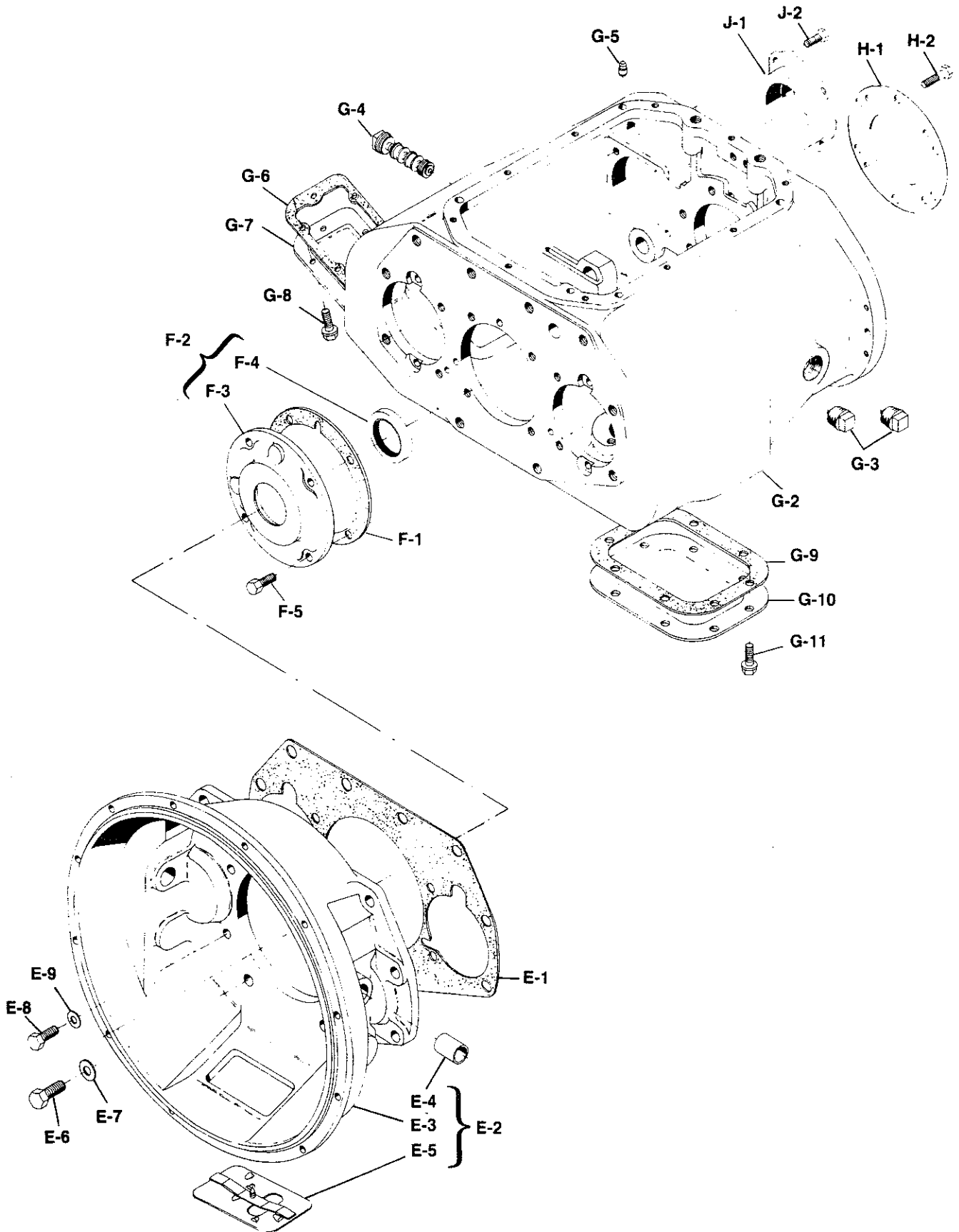
MODEL 1207

GEARS and RELATED PARTS (Rear Case)

T210-SST-6 + 1

Ref. No.	Part No.	Part Description	Qty.
DRIVE GEAR GROUP			
RA-1	97-8-171	Drive Gear	1
RA-2	97-47-3	Thrust Washer	1
RA-3	550921	Pocket Bearing	1
RA-4	545006	Nut – 1 $\frac{3}{8}$ "-18, self locking.	1
MAINSHAFT GROUP			
RB-1	97-362-45	Mainshaft – output	1
RB-2	97-465-27	Clutch Collar – low gear	1
RB-3	97-8-163	Gear – low (42T)	1
RB-4	97-47-4	Thrust Washer – bearing	1
RB-5	550925	Bearing	1
RB-6	97-37-17	Bearing Spacer	1
RB-7	See Tab Bills	Flange or End Yoke	1
RB-8	500007-9	Woodruff Key #3	1
RB-9	See Tab Bills	Speedometer Drive Gear	1
	or 97-37-7	Spacer (used in place of speedometer drive gear)	1
RB-10	330734	Flat Washer	1
RB-11	545065	Nut – 1 $\frac{3}{4}$ "-16, self locking.	1
COUNTERSHAFT GROUP			
RC-1	97-30-35 97-30-37	Countershaft (24T) – slotted for pump (24T) – splined for P.T.O	2
RC-2	500010-18	Woodruff Key #29	2
RC-3	97-1-37	Gear (33T)	2
RC-4	550899	Bearing – cup (front)	2
RC-5	550900	Bearing – cone (front)	2
RC-6	550936	Bearing – cone (rear)	2
RC-7	550935	Bearing – cup (rear)	2

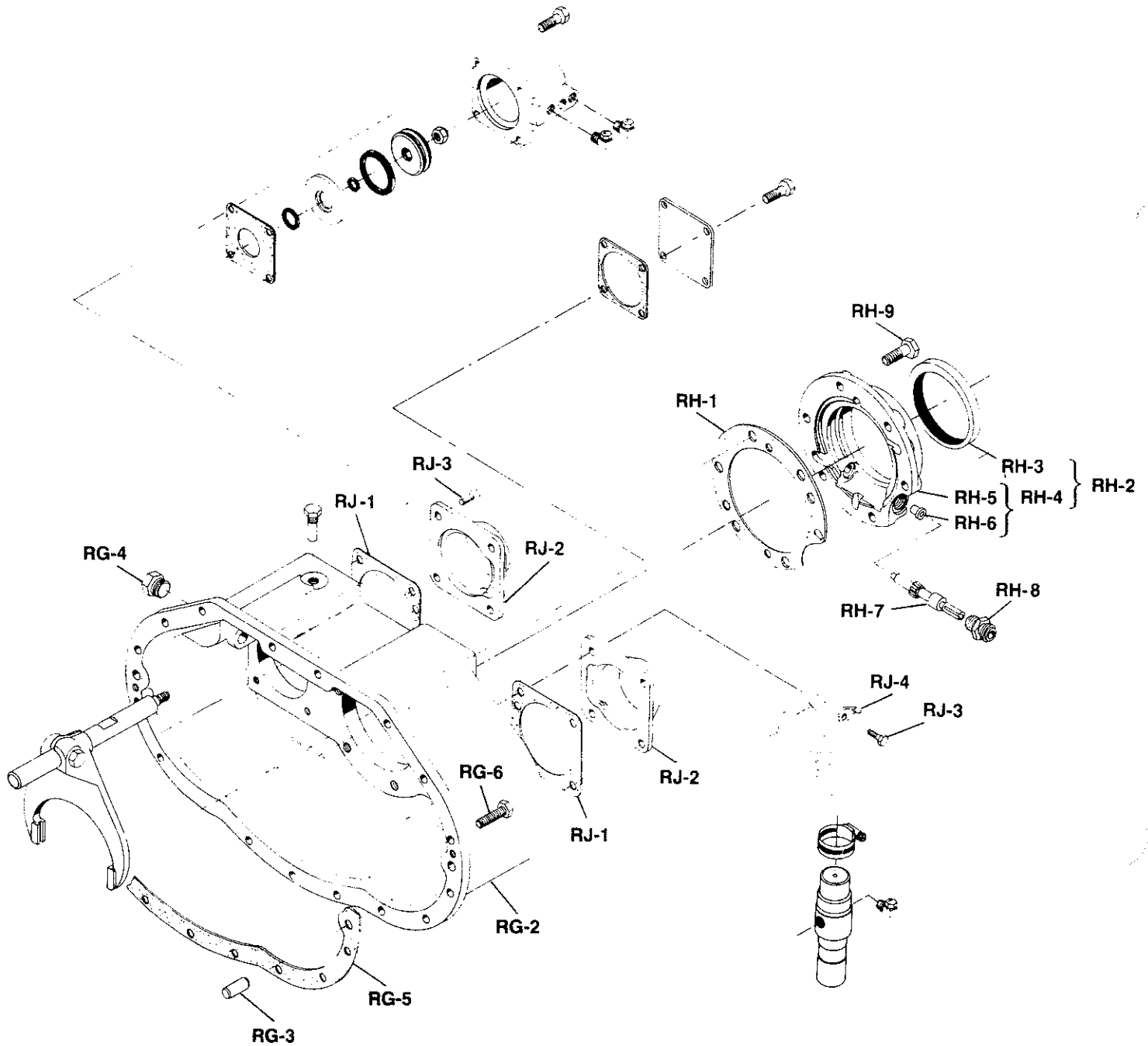
T210-SST-6 + 1 **MODEL 1207**
FRONT CASE, BEARING CAP and RELATED PARTS





Ref. No.	Part No.	Part Description	Qty.
CLUTCH HOUSING GROUP			
E-1	97-352-1	Gasket	1
E-2	See Tab Bills	Clutch Housing Assembly	1
E-3	N.S.S.	Clutch Housing	1
E-4	128C-20	Bushing	4
E-5	97-96-18-1X	Hand Hole Cover Assembly	1
E-7	330829	Flat Washer - 5/8" for use with aluminum clutch housings	1
E-9	170-W	Flat Washer - 1/2" for use with aluminum clutch housings	1
Used With 97-518-15-1X, 97-518-18-1X and 312795X			
E-6	545008-3	Bolt - 5/8"-11 x 1 3/4" hex head self locking	10
E-8	545001	Bolt - 1/2"-13 x 1 1/4" hex head self locking	4
Used with 97-518-14-1X			
E-6	and 545008-3	Bolt - 5/8"-11 x 1 3/4" hex head self locking	9
	545008-2	Bolt - 5/8"-11 x 1" hex head self locking	1
E-7	330720	Washer - external tooth 5/8"	10
E-8	545001	Bolt - 1/2"-13 x 1 1/4" hex head self locking	4
E-9	330290	Washer - external tooth 1/2"	4
Used With 97-518-25-1X, 97-518-31-1X			
E-6	and 545008-3	Bolt - 5/8"-11 x 1 3/4" hex head self locking	8
	545031	Bolt - 5/8"-11 x 1 3/4" socket head self locking	2
E-8	545001	Bolt - 1/2"-13 x 1 1/4" hex head self locking	4
Used with 312961X			
E-6	and 545008-3	Bolt - 5/8"-11 x 1 3/4" hex head self locking	8
	545031	Bolt - 5/8"-11 x 1 3/4" socket head self locking	2
E-7	330829	Flat Washer - 5/8"	10
E-8	545001	Bolt - 1/2"-13 x 1 1/4" hex head self locking	4
E-9	170-W	Flat Washer - 1/2"	4
DRIVE GEAR BEARING CAP GROUP			
F-1	97-223-1	Gasket	1
F-2	See Tab Bills	Bearing Cap and Oil Seal Assembly	1
F-3	N.S.S.	Bearing Cap	1
F-4	97-463-32	Oil Seal	1
F-5	545002-4	Bolt - 3/8"-16 x 1 1/8" hex head self locking	4
FRONT CASE GROUP			
G-1	97-15-44-1X	Case Assembly	1
G-2	N.S.S.	Case	1
G-3	62-39-3	Drain and Filler Plug - magnetic	2
G-4	97-39-1	Drain Plug - magnetic	1
G-5	274-SP	Dowel Pin - for shifter housing	2
G-6	46-324-1	6 Bolt P.T.O. Gasket	1
G-7	50-267-2	6 Bolt P.T.O. Cover	1
G-8	330800	Bolt - 3/8"-16 x 3/4" flanged head self locking	6
G-9	22P-22	8 Bolt P.T.O. Gasket	1
G-10	73-267-1	8 Bolt P.T.O. Cover	1
G-11	545012	Bolt - 7/16"-14 x 3/4" flanged head self locking	8
MAINSHAFT REAR BEARING RETAINER			
H-1	97-360-8	Retainer	1
H-2	545001-5	Bolt - 1/2"-13 x 1 1/4" flanged head self locking	6
COUNTERSHAFT REAR BEARING RETAINER			
J-1	97-360-6	Retainer	2
J-2	545002	Bolt - 3/8"-16 x 1" hex head self locking	4

N.S.S. - Not Sold Separately

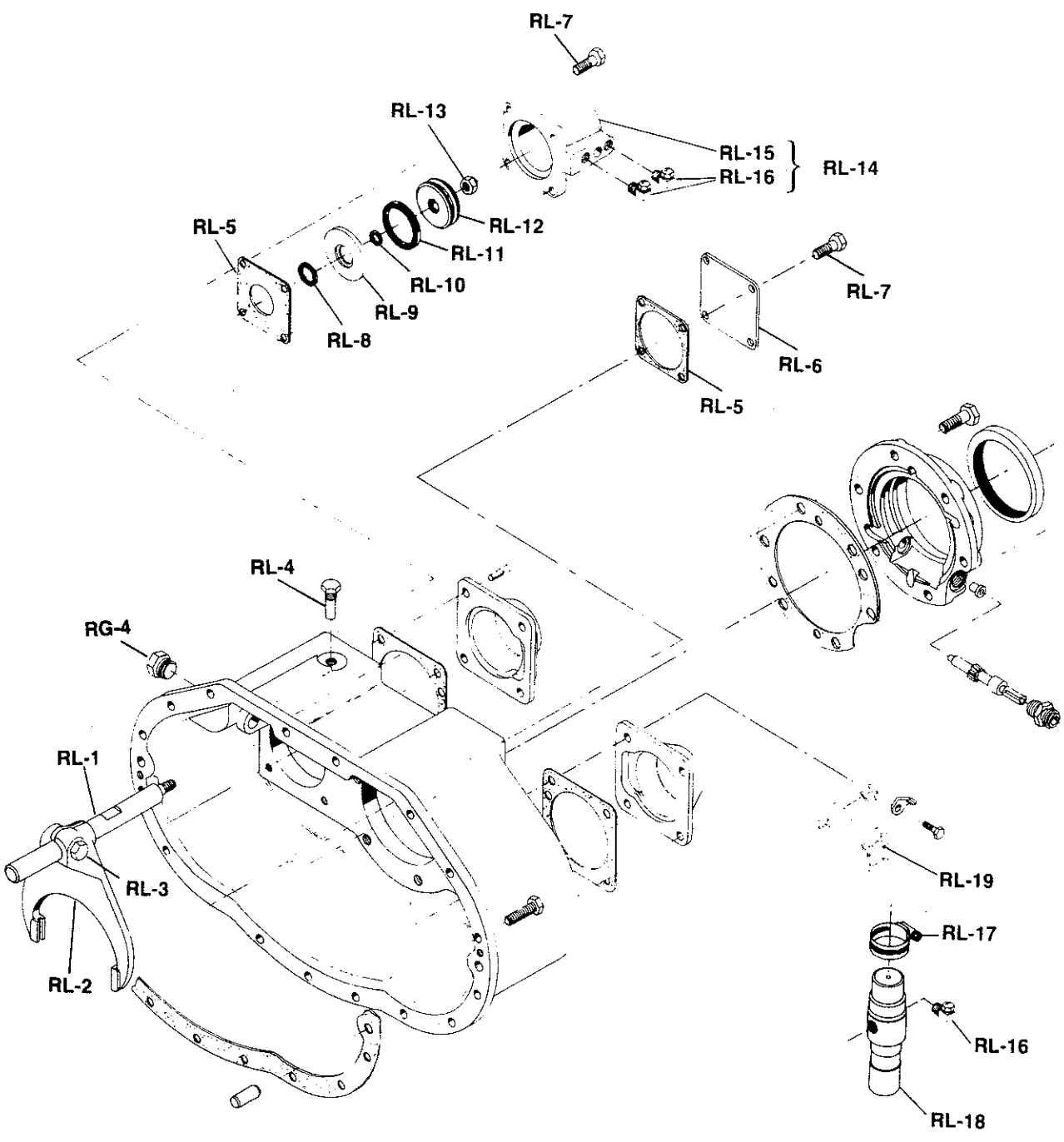




Ref. No.	Part No.	Part Description	Qty.
REAR CASE GROUP			
RG-1	See Tab Bills	Case Assembly	1
RG-2		Case	
N.S.	N.S.S.	Nameplate	1
N.S.	NP-96	for 97-15-45-1X	
	NP-2	for 97-15-45-2X	
	252-SP	Pins – nameplate	4
RG-3	500043-15	Dowel Pins – locate rear case to front case	2
RG-4	545060	Neutral Switch Plug	1
RG-5	97-155-11	Gasket – rear case to front case	1
RG-6	545002-4	Bolt – 3/8"-16 x 1 1/8" hex head self locking	17
MAINSHAFT REAR BEARING CAP GROUP – For Gear Driven Speedometer			
RH-1	97-223-2	Gasket	1
RH-2	97-19-32-2X	Bearing Cap, Seal and Bushing Assembly	1
RH-3	97-463-33	Oil Seal	1
RH-4	97-19-32-1X	Bearing Cap and Speedometer Bushing Assembly	1
RH-5	97-19-32	Bearing Cap	1
RH-6	60-475-1	Speedometer Bushing	1
RH-7	See Tab Bills	Gear – speedometer driven	1
or		55-334-1	Plug – used without speedometer driven gear
RH-8	55-454-1	Sleeve – speedometer driven gear	1
N.S.	44-539-1	Dust Cap	1
RH-9	545001-4 and 545001-8	Bolt – 1/2"-13 x 1 1/2" hex head self locking	4
			Bolt – 1/2"-13 x 2 1/2" hex head self locking
MAINSHAFT REAR BEARING CAP GROUP – For Electronic Speedometer			
RH-1	97-223-2	Gasket	1
RH-2	97-19-46-1X	Bearing Cap and Seal Assembly	1
RH-3	97-463-33	Oil Seal	1
RH-5	97-19-46	Bearing Cap	1
RH-6	60-475-1	Speedometer Bushing	1
RH-7	55-334-1	Plug – outlet	1
RH-9	545001-4 and 545001-8	Bolt – 1/2"-13 x 1 1/2" hex head self locking	4
			Bolt – 1/2"-13 x 2 1/2" hex head self locking
COUNTERSHAFT REAR BEARING CAP GROUP			
RJ-1	97-223-23	Gasket	2
RJ-2	97-22-23	Bearing Cap	2
RJ-3	545015	Bolt – 3/8"-16 x 1 5/16" flanged head self locking	8
RJ-4	330564-1	Lift Hook	2

N.S. – Not Shown
N.S.S. – Not Sold Separately

T210-SST-6 + 1 **MODEL 1207** REAR CASE, BEARING CAP and RELATED PARTS





MODEL 1207

REAR CASE, BEARING CAP and RELATED PARTS

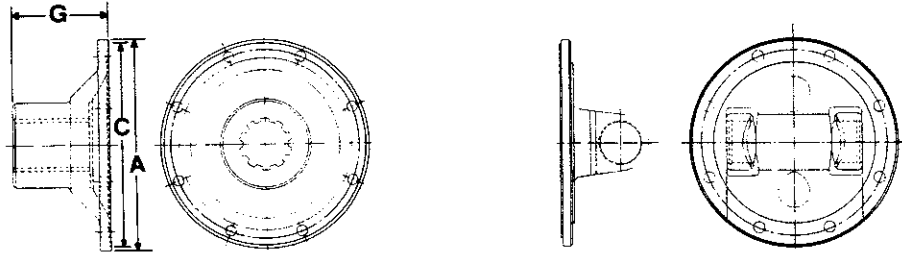
T210-SST-6 + 1

Ref. No.	Part No.	Part Description	Qty.
AIR SHIFT CONTROL			
RL-1	97-65-33	Range Piston Rod	1
RL-2	97-66-87	Shift Fork	1
RL-3	545070	Bolt - 7/16"-20 x 1 1/4" hex head self locking	1
RL-4	97-59-2	Stop Pin and Plug	1
RG-4	545060	Neutral Switch Plug	1
RL-5	97-223-25	Gasket - piston housing	1
	97-223-8	Gasket - cover	1
RL-6	97-96-24	Cover	1
RL-7	545002	Bolt - 3/8"-16 x 1" hex head self locking	8
RL-8	97-463-5	"O" Ring - piston rod	1
RL-9	97-205-3	Washer - "O" Ring and cover	1
RL-10	183-463-6	"O" Ring - piston rod to piston	1
RL-11	97-463-4	"O" Ring - piston	1
RL-12	97-136-1	Piston	1
RL-13	545045-1	Nut - 7/16"-20 self locking	1
RL-14	97-501-21-1X	Piston Housing Assembly	1
RL-15	97-501-21	Piston Housing	1
RL-16	545025-1	Elbow - air fitting	2
RL-17	330831	Clamp	1
RL-18	313406	Filter Regulator	1
RL-16	545025-1	Elbow - air fitting	1
RL-19	97-411-19	Bracket - filter regulator	1
N.S. - Not Shown N.S.S. - Not Sold Separately			

MODEL 1207

COMPANION FLANGES, FLANGE YOKES and END YOKES

T210-SST-6 +1

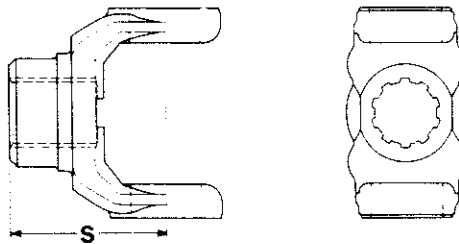


COMPANION FLANGE

FLANGE YOKE

Companion Flanges and Flange Yokes

Joint Series	A Flange Diameter	Companion Flange Assembly	Companion Flange	G End of Hub to Flange Face Length	C Pilot Diameter F-Female M-Male	Mates with	
						Flange Yoke	Series
1710	8"	—	6-1-4881	3"	F-7 ³ / ₄ "	6-2-749	1710

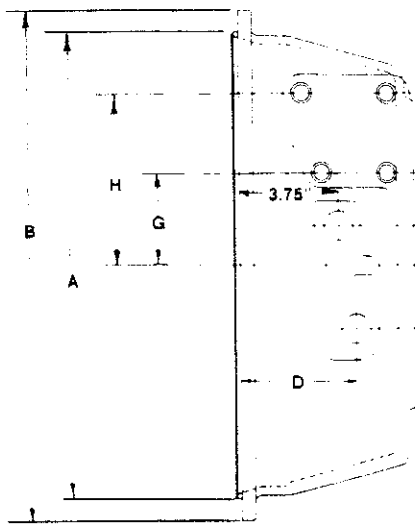


END YOKE

End Yokes

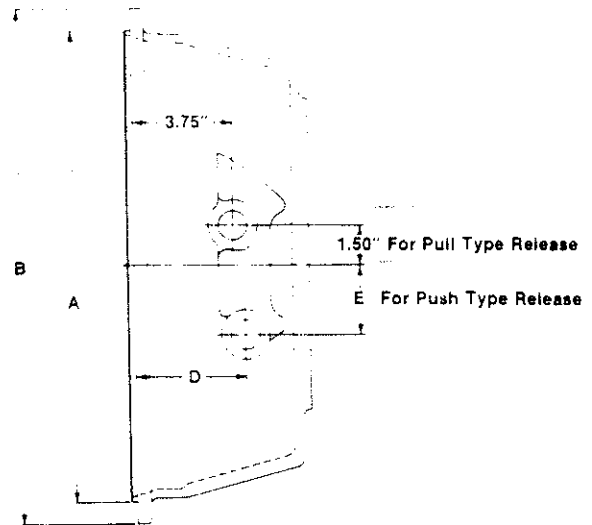
Joint Series	End Yoke Sub-Assembly	S End of Hub to Center Line Length	Joint Angle
1710	6-4-5351	5 ³ / ₁₆ "	21°
1810	6.5-4-3021	5 ⁹ / ₁₆ "	30°

SAE		
Size No.	A Pilot Dia.	B O.D.
1	20 $\frac{1}{8}$ "	21 $\frac{3}{4}$ "
2	17 $\frac{5}{8}$ "	19 $\frac{1}{4}$ "
3	16 $\frac{1}{8}$ "	17 $\frac{3}{4}$ "



NODAL MOUNT

1.50" For Pull Type Release
E For Push Type Release



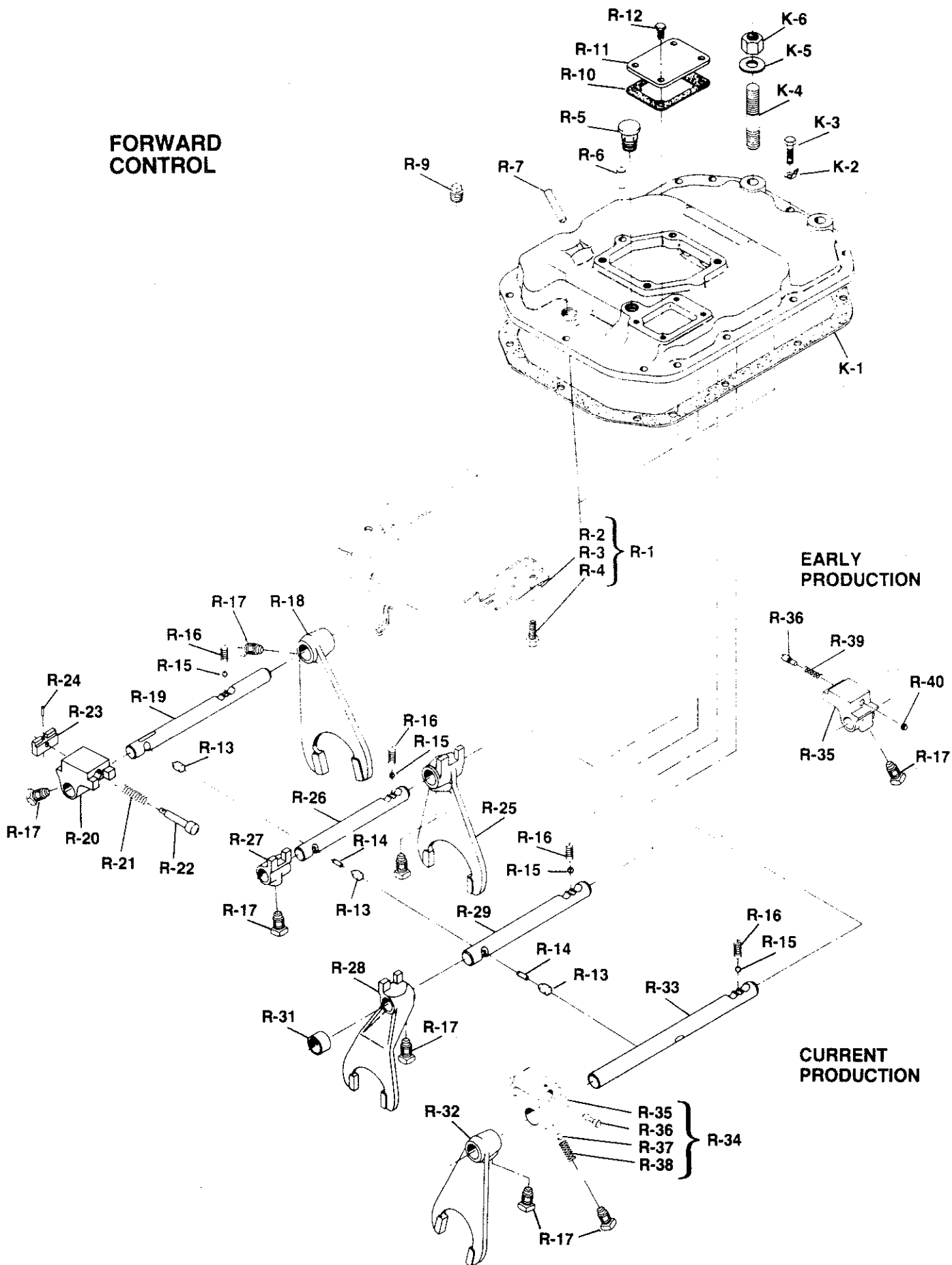
STANDARD MOUNT

Part No.	Casting No.	Material	SAE#	D Lower Hole Dim. Face. To Center Hole	E Below Center	G	H	For Service Use
97-518-3	C97-518-4	Iron	2	4.187"	2.625"	—	—	312795X
97-518-12	C97-518-13-1	Iron	1	3.750"	1.500"	4.00"	8.50"	312961X
97-518-14	C97-518-7	Iron	2	4.375"	2.375"	3.50"	6.50"	97-518-14-1X
97-518-15	C97-518-2	Iron	1	4.187"	2.625"	—	—	97-518-15-1X
97-518-18	C97-518-17	Alum.	2	4.187"	2.625"	—	—	97-518-18-1X
97-518-25	C97-518-13-1	Iron	1	3.750"	1.500"	4.00"	8.50"	97-518-25-1X
97-518-31	C97-518-29	Aum.	1	3.750"	1.500"	4.00"	8.50"	97-518-31-1X
97-518-49	C97-518-7	Iron	2	3.750"	2.375"	3.50"	6.50"	97-518-49-1X

MODEL 1207 SHIFTER HOUSING ASSEMBLY



FORWARD
CONTROL





MODEL 1207 SHIFTER HOUSING ASSEMBLY

T210-SST-6 + 1

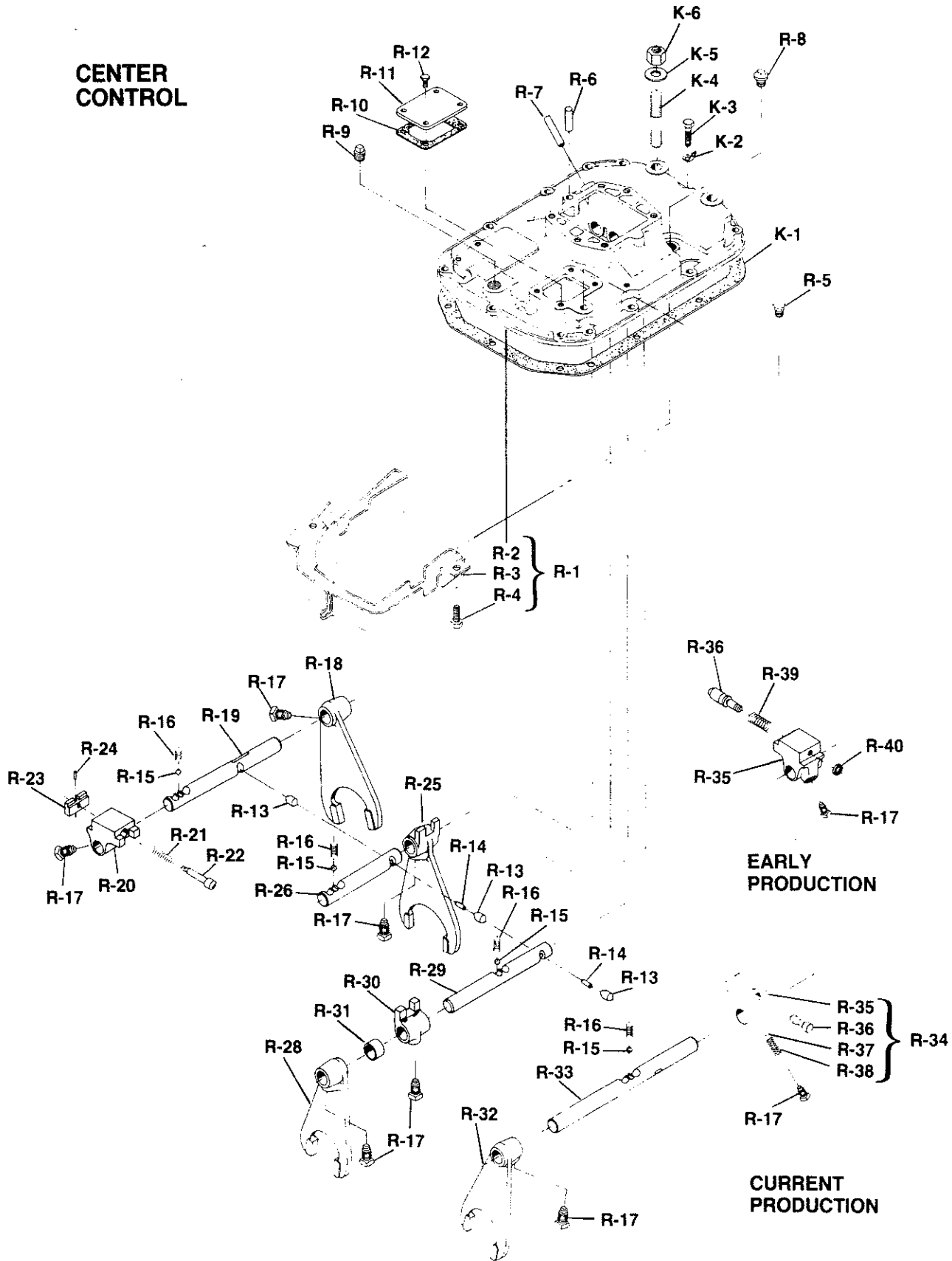
Ref. No.	Part No.	Part Description	Assembly No.	97-16-25-76X	97-16-62-29X	97-16-62-33X
				F	C	C
		SHIFTER HOUSING ASSEMBLY				
R-1	See Tab Bills	SHIFTER HOUSING ASSEMBLY		1	1	1
R-1	97-16-25-66X	Shifter Housing and Oil Trough Assembly		—	1	1
R-1	97-16-62-1X	Shifter Housing and Oil Trough Assembly		1	—	—
R-2	N.S.S.	Shifter Housing		1	1	1
R-3	330918	Oil Trough		1	1	1
R-4	330800	Bolt — 3/8" - 16 x 3/4" flanged head self locking		2	2	2
R-5	312268	Breather		—	1	1
R-5	5951X	Breather		1	—	—
R-6	545000	Blocker Pin		—	1	1
R-6	545010	Blocker Pin		1	—	—
R-7	330739-1	Pin — backup lite		1	1	1
R-8	545021	Plug — neutral safety switch		—	1	1
R-9	500114	Plug — oil return hole		1	1	1
R-10	97-223-4	Gasket — aperture cover		1	1	1
R-11	97-96-2	Aperture Cover		1	1	1
R-12	545005-1	Bolt — 5/16" - 18 x 5/8" hex head self locking		4	4	4
		For All Shift Forks, Brackets and Rod Groups				
R-13	97-12-1	Interlock		3	3	3
R-14	194-SP	Pin — shift rod		2	2	2
R-15	50-80-5	Poppet Ball		4	4	4
R-16	97-72-11	Spring — poppet ball		4	4	4
R-17	545004	Bolt — 7/16" - 20 x 1 3/16" set type, self locking square head		7	7	7
		First and Reverse Shift Fork, Rod and Bracket Group				
R-18	97-66-53	Shift Fork		1	1	1
R-19	97-67-189	Shift Rod		—	1	1
R-19	97-67-190	Shift Rod		1	—	—
R-20	97-354-11	Shift Rod Bracket		1	1	1
R-21	97-72-2	Spring — plunger		1	1	—
R-21	97-72-17	Spring — plunger		—	—	1
R-22	97-438-1	Plunger		1	1	1
R-23	330736	Block — shift bracket		1	1	1
R-24	500593-6	Pin — plunger		1	1	1

*F-Forward
 *C-Center
 N.S.-Not Shown
 N.S.S. Not Sold Separately

MODEL 1207 SHIFTER HOUSING ASSEMBLY



**CENTER
CONTROL**





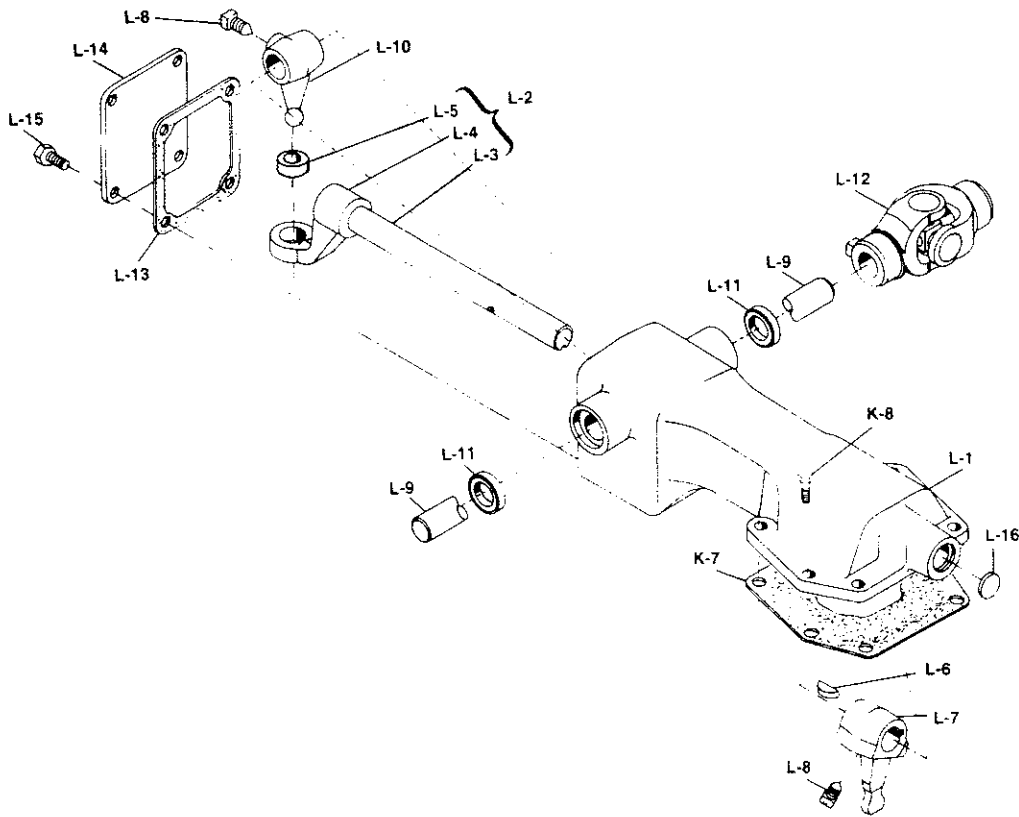
MODEL 1207 SHIFTER HOUSING ASSEMBLY

T210-SST-6 + 1

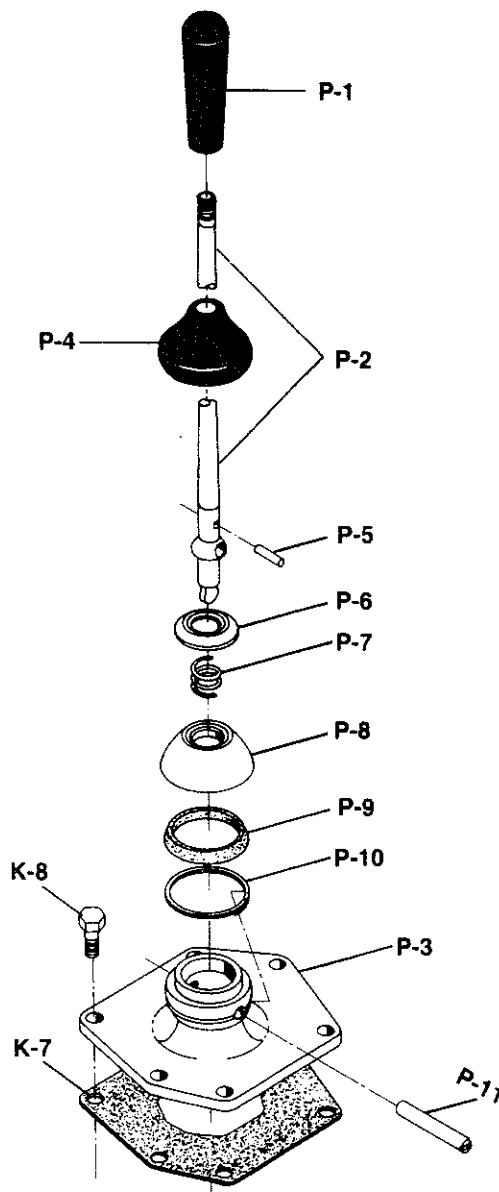
Ref. No.	Part No.	Part Description	Assembly No.	97-16-25-76X	97-16-62-29X	97-16-62-33X
				F	C	C
Second and Third Shift Fork, Rod and Bracket Group						
R-25	97-66-23	Shift Fork		1	1	1
R-26	97-67-83	Shift Rod		—	1	1
R-26	97-67-125	Shift Rod		1	—	—
R-27	97-354-3	Shift Rod Bracket		1	—	—
Fourth Shift Fork, Rod and Bracket Group						
R-28	97-66-5	Shift Fork		—	1	1
R-28	97-66-32	Shift Fork		1	—	—
R-29	97-67-84	Shift Rod		—	1	1
R-29	97-67-126	Shift Rod		1	—	—
R-30	97-354-3	Shift Rod Bracket		—	1	1
R-31	60-203-7	Stop Sleeve		—	1	1
Fifth and Sixth Shift Fork, Rod and Bracket Group						
R-32	97-66-5	Shift Fork		1	1	1
R-33	97-67-85	Shift Rod		—	1	1
R-33	97-67-127	Shift Rod		1	—	—
Current Production						
R-34	97-354-21-2X	Shift Rod Bracket Assembly		1	1	1
R-35	97-354-21	Shift Rod Bracket		1	1	1
R-36	97-438-17	Plunger		1	1	1
R-37	50-80-1	Poppet Ball		1	1	1
R-38	97-72-23	Spring — poppet ball		1	1	1
Early Production						
R-35	97-354-11	Shift Rod Bracket		1	1	1
R-36	97-438-2	Plunger		1	1	1
R-39	97-72-8	Spring-plunger		1	1	1
R-40	97-381-3	Snap Ring		1	1	1
PARTS LISTED BELOW ARE NOT INCLUDED IN ASSEMBLY						
K-1	97-155-1	Gasket — shifter housing		1	1	1
K-2	330564-1	Lift Hooks		4	4	4
K-3	545002-4	Bolt — 3/8"-16 x 1 1/8" hex head self locking		10	10	10
K-4	330360-15	Stud — 5/8"-11 and 5/8"-18 x 3 1/2"		2	2	—
K-4	330360-18	Stud — 5/8"-11 and 5/8"-18 x 4"		2	2	—
K-5	500365-43	Flat Washer — 5/8"		2	2	—
K-6	500371-7	Nut — 5/8"-18		2	2	—

*F-Forward
*C-Center

MODEL 1207 REMOTE CONTROL ASSEMBLY High Rod Type



Ref. No.	Part No.	Part Description	Assembly No.	8049X	8049-1X
	See Tab Bills	COVER & JOINT ASSEMBLY		1	1
	311866X	Cover Assembly		1	1
L-1	N.S.S.	Remote Control Cover		1	1
N.S.	82-24-3	Bushing		4	4
L-2	8039X	Shift Finger Rod and Bracket Assembly		1	1
L-3	N.S.S.	Rod – shift finger		1	1
L-4	N.S.S.	Bracket – shift finger rod		1	1
L-5	85-24-4	Bushing – shift rod bracket		1	1
N.S.	N.S.S.	Woodruff Key #11 (part of assembly)		1	1
L-6	500007-19	Woodruff Key #11		1	1
L-7	82-6-9	Finger – inner shift		1	1
L-8	545004	Bolt – 7/16" - 20 x 1 3/16" self locking square head		2	2
L-9	82-65-5	Rod – remote control shift		1	1
L-10	82-6-7	Finger – outer shift		1	1
L-11	28P-19	Seal – remote control shift rod		2	2
L-12	10380-SF	U-Joint Assembly – control rod		1	1
L-13	82-118-1	Gasket – aperture cover		1	1
L-14	82-96-1	Aperture Cover		1	1
L-15	545005-1	Bolt – 5/16" - 18 x 5/8" hex head self locking		4	4
L-16	500166-16	Expansion Plug – 1 1/16"		1	1
N.S.	311903X	Boot Kit – remote control		—	1
N.S.	82-483-1	Boot – standard		—	1
N.S.	82-483-2	Boot – cup type		—	1
N.S.	LW-3-9	Lockwire		—	3
PARTS LISTED BELOW ARE NOT INCLUDED IN ASSEMBLY					
K-7	97-155-12	Gasket – to remote control cover (six holes)		1	1
K-8	545028-4	Bolt – 7/16" - 14 x 1 1/8" hex head self locking		6	6



Ref. No.	Part No.	Part Description	Qty.
		Shifter Lever and Dome Assembly	1
P-1	312820-1X	Handle – shift lever	1
P-2	39Q-29	Shift Lever – length 28½"	1
	25Q-1106		
	82-16-19X	Dome Assembly – shift lever	1
P-3	82-16-19	Dome – shift lever-(2 ⁵ / ₃₂ " height)	1
P-4	55Q-5	Grommet – shift lever	1
P-5	286-SP	Pin – shift lever collar	1
P-6	55Q-7	Collar – compression	1
P-7	56Q-25	Spring – compression	1
P-8	54Q-13	Cup – compression	1
P-9	69Q-6	Washer – friction	1
P-10	62-381-7	Snap Ring	1
P-11	53Q-15	Shaft – shift lever rock	1
		PARTS LISTED BELOW ARE NOT INCLUDED IN ASSEMBLY	
K-7	97-155-12	Gasket – dome to shifter housing	1 *
K-8	545028-4	Bolt – 7/16"-14 x 1 1/8" hex head self locking	6

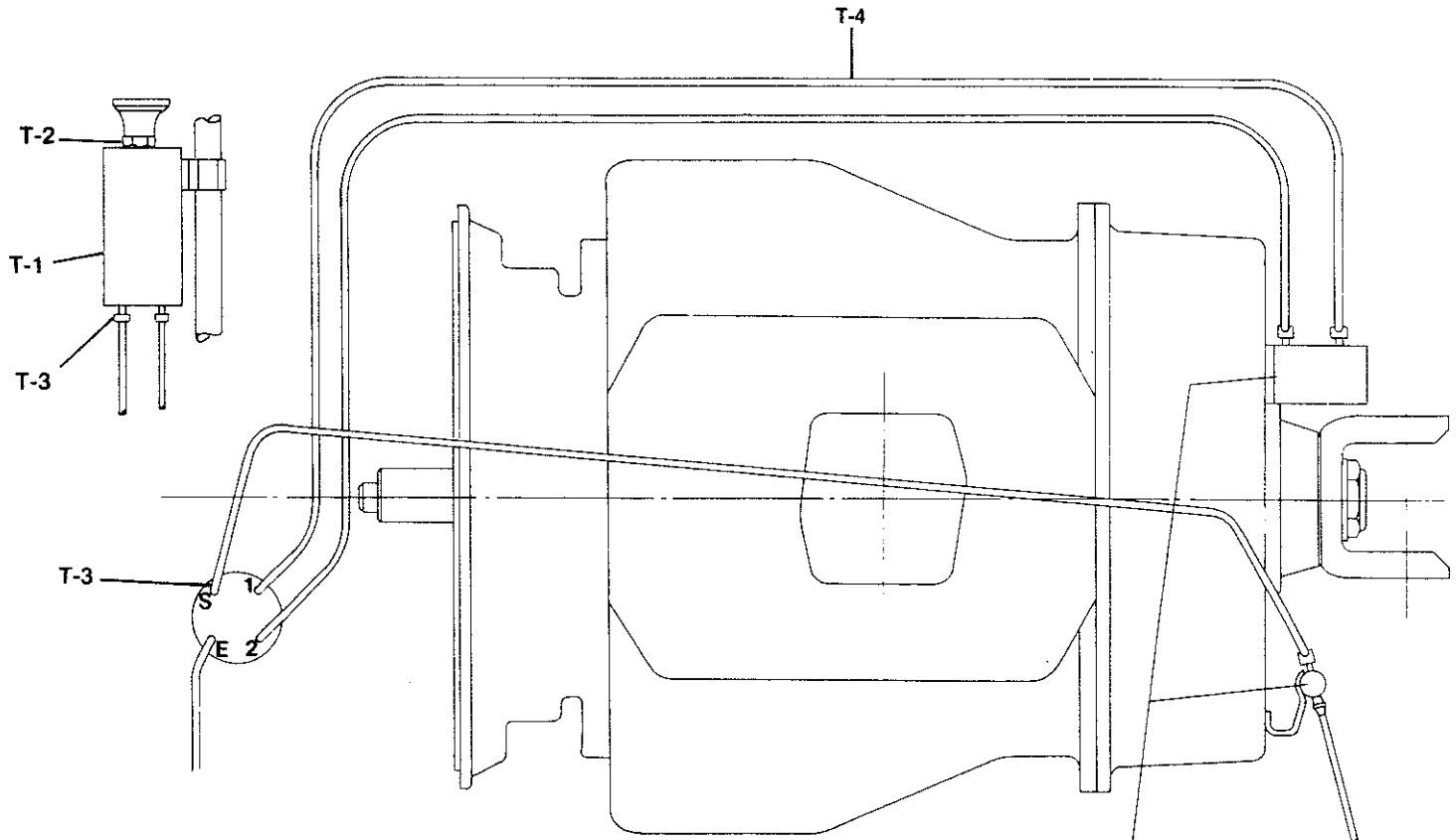
MODEL 1207

SPICER®



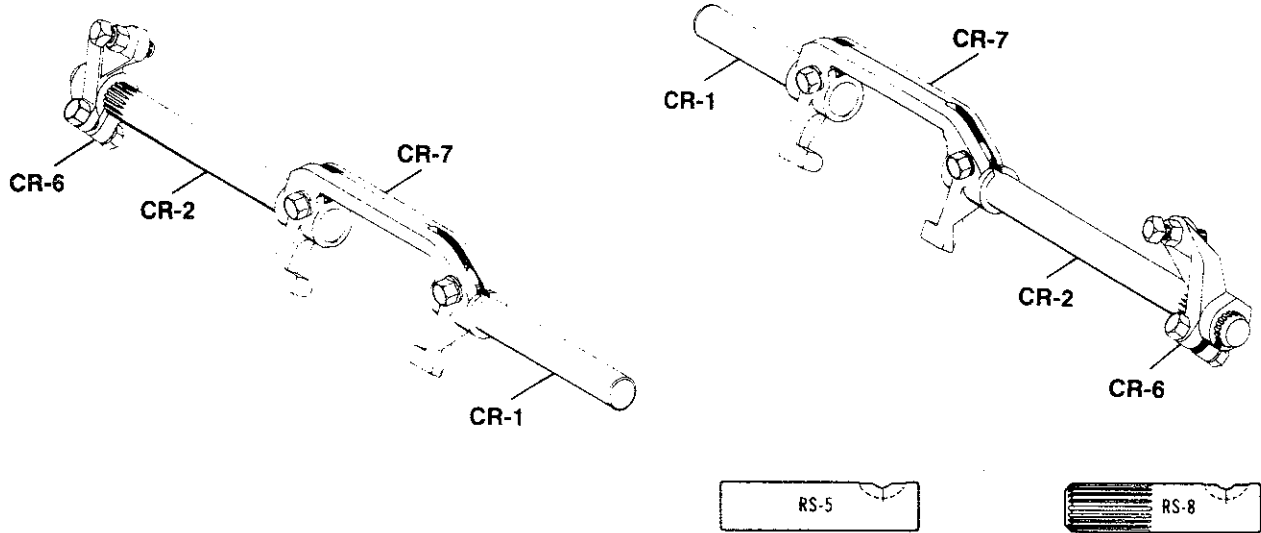
T210-SST-6 + 1 DIRECT AIR CONTROL PIPING DIAGRAM AND PARTS

Ref. No.	Part No.	Part Description	Qty.
T-1	313252	Valve – air splitter control	1
T-2	500803	Jam Nut – shift lever	1
T-3	312526	Line Connector – valve and air	4
T-4	85-420-1	Tubing – air line	1
N.S.	330717	Zip Slider	1
N.S.	330716-1	Protective Cover for Tubing	1



For Air Shift
Control Parts
See Pages
12 and 13

N.S. – Not Shown



CR-6 PEDAL ADJ. ARM		CR-2 LONG SHAFT		
310233X 310473X	For Left Side Mtg. For Right Side Mtg.	Part No.	Type	Length
*CR-7 CLUTCH RELEASE YOKE		106C-438	RS-5	14.000"
105C-137	For Spicer 14" or 15½" – 2 Plate Pull Type Clutches	106C-617	RS-8	10.469"
CR-1 SHORT SHAFT		106C-939	RS-8	10.000"
Part No.	Length	106C-1094	RS-8	8.469"
106C-1185	5.750"			
106C-1498	6.500"			

CLUTCH RELEASE CODE TABLE

Clutch Release Code (See Tab Bills)	Shaft		*CR-7 Yoke	CR-6 Pedal Adjusting Arm
	CR-1 Short	CR-2 Long		
1	106C-1498	106C-617	105C-137	310233X
2	106C-1185	106C-438	105C-137	—
3	106C-1185	106C-939	105C-137	310233X
4	106C-1185	106C-1094	105C-137	310233X

*CLUTCH RELEASE YOKE ATTACHING PARTS—one KEY 10-30, two SCREWS 330231 and LOCKWASHERS 500356-12.

Part No.	Part Description	Qty.
MAJOR SERVICE KITS		
313400-40X	MAJOR SERVICE KIT	1
500566-8	Ball – reverse idler shaft	2
500010-8	Woodruff Key #29	10
545065	Nut – mainshaft output	1
97-59-2	Stop Pin and Plug	1
545060	Neutral Switch Plug	1
97-35-54	Drive Gear Shaft 2"-10 spline	1
313210X	Gasket and "O" Ring Kit	1
313401-22X	Thrust Washer Kit	1
313429-2X	Shifter Housing Small Parts Kit	1
313432-4X	Minor Service Kit	1
MINOR SERVICE KITS (Included in Major Service Kit)		
313432-4X	MINOR SERVICE KIT	1
97-463-32	Oil Seal – drive gear	1
97-463-33	Oil Seal – mainshaft (rear)	1
BEARINGS		
Front Case		
550031	Countershaft – front	2
550886	Reverse Idler Shaft	4
550925	Mainshaft – rear	1
550944	Drive Gear	1
550946	Input Shaft – pocket	1
550950	Countershaft–rear	2
Rear Case		
550899	Countershaft – cup front	2
550900	Countershaft – cone front	2
550921	Output Shaft – pocket	1
550925	Output Shaft	1
550935	Countershaft – cup rear	2
550936	Countershaft – cone rear	2
545077	Bearing Lubricant	1
545080	Loctite	1
2770	Bearing Lube Instructions	1
2775	Pocket Bearing Installation Instructions	1
2783	Loctite Application for M/S Nuts	1
312475-35X	GASKET KIT	1
313024-8X	SNAP RING KIT	1

Part No.	Part Description	Qty.
Included in MAJOR SERVICE KITS		
313210X	Gasket and "O" Ring Kit	1
97-223-4	Gasket – piston housing	1
97-223-5	Gasket – piston cap	1
97-223-8	Gasket – cover	1
97-223-25	Gasket – piston housing	1
330895	Lubricant – "O" Ring	1
97-463-4	"O" Ring – piston	1
97-463-5	"O" Ring – piston rod	1
183-463-6	"O" Ring – piston rod to piston	1
313401-22X	Thrust Washer Kit	1
330730	Mainshaft – internal (15T)	3
330732	Mainshaft – external (17T)	2
330735	Mainshaft – internal (13T)	1
330810	Mainshaft – external (24T)	2
330814	Mainshaft – external (20T)	3
330869	Mainshaft – internal (18T)	3
97-47-4	Mainshaft – bearing	1
313429-2X	Shifter Housing Small Parts Kit	1
97-12-1	Interlock	3
50-80-5	Poppet Ball	4
194-SP	Pin – shift rod	2
97-438-1	Plunger – 1st and reverse	1
97-438-2	Plunger – 5th and 6th	1
330739-1	Pin – backup lite	1
500593-6	Pin – plunger	1
545000	Blocker Pin – center control	1
545010	Blocker Pin – forward control	1
97-72-2	Spring – 1st and reverse	1
97-72-8	Spring – 5th and 6th	1
97-72-11	Spring – poppet ball	4
97-381-3	Snap Ring – plunger	1
Included in MAJOR and MINOR SERVICE KITS		
312475-35X	GASKET KIT	1
82-118-1	Remote Control – aperture cover	1
97-155-1	Shifter Housing	1
97-155-11	Rear Case to Front Case	1
97-155-12	Tower – center (6 holes)	1
97-155-13	Tower – forward (4holes)	1
97-223-1	Bearing Cap – drive gear	1
97-223-2	Bearing Cap – mainshaft (rear case)	1
97-223-8	Cover – without air control	1
97-223-23	Bearing Cap – countershaft rear case	2
97-223-25	Piston Housing – air control	1
97-352-1	Clutch Housing	1
46-324-1	P.T.O. (6 holes)	1
22P-22	P.T.O. (8 holes)	1
313024-8X	SNAP RING KIT	1
70-381-6	Drive Gear retainer	1
97-381-1	Mainshaft – internal small	3
97-381-2	Mainshaft – internal	3
97-381-4	Mainshaft – external	3
97-381-30	Countershaft – retainer front	2
97-381-32	Mainshaft – internal	2
97-381-34	Countershaft – backing rear	2
97-381-35	Mainshaft – external	2
98-381-1	Mainshaft – external	3
98-381-2	Mainshaft – internal	1

MODEL 1207

TABULATED BILLS of MATERIAL



Tab. No.	Used By	For Use With Clutch	CLUTCH HOUSING			Drive Gear Input Shaft (Two Piece) A-1	Drive Gear Bearing Cap Assembly F-2	Rear Case Assembly Pages 10-13
			S A E	Assembly No. E-2	Rel. Code Page 23			
301195 -- Model 1207-2A								
-1	Service	Spicer Pull Type	1	97-518-15-1X	—	97-35-54	97-19-36-1X	97-15-45-1X
-2	White	Spicer Pull Type	2	312795X	—	97-35-54	97-19-36-1X	97-15-45-1X
-3	Autocar	Spicer Pull Type	1	97-518-15-1X	—	97-35-54	97-19-36-1X	97-15-45-1X
-4	Ford	Spicer Pull Type	1	97-518-15-1X	—	97-35-54	97-19-36-1X	97-15-45-1X
-5	Ford	Spicer Pull Type	1	97-518-25-1X	—	97-35-54	97-19-36-1X	97-15-45-1X
-6	GMC	Spicer Pull Type	2	97-518-14-1X	—	97-35-54	97-19-36-1X	97-15-45-2X
-7	Ford	Spicer Pull Type	2	312795X	—	97-35-54	97-19-36-1X	97-15-45-1X
-8	White	Spicer Pull Type	1	97-518-25-1X	—	97-35-54	97-19-36-1X	97-15-45-1X
-9	IHC	Spicer Pull Type	1	97-518-15-1X	—	97-35-54	97-19-36-1X	97-15-45-1X
§-10	Service	Spicer Pull Type	—	—	—	97-35-54	97-19-36-1X	97-15-45-1X
-11	Service	Spicer Pull Type	2	312795X	—	97-35-54	97-19-36-1X	97-15-45-1X
-12	Mack	Spicer Pull Type	1	312961X	—	97-35-54	97-19-36-1X	97-15-45-1X
-13	Ford	Spicer Pull Type	2	312795X	—	97-35-54	97-19-36-1X	97-15-45-1X
-14	Kenworth	Spicer Pull Type	1	97-518-15-1X	1	97-35-54	97-19-36-1X	97-15-45-1X
-15	IHC	Spicer Pull Type	2	312795X	—	97-35-54	97-19-36-1X	97-15-45-1X
-16	IHC	Spicer Pull Type	1	97-518-15-1X	—	97-35-54	97-19-36-1X	97-15-45-1X
*-17	Peterbilt	Spicer Pull Type	1	97-518-15-1X	2	97-35-54	97-19-36-1X	97-15-45-1X
-18	Freightliner	Spicer Pull Type	1	97-518-15-1X	—	97-35-54	97-19-36-1X	97-15-45-1X
*-19	Peterbilt	Spicer Pull Type	1	97-518-15-1X	—	97-35-54	97-19-36-1X	97-15-45-1X
-20	White	Spicer Pull Type	1	97-518-25-1X	—	97-35-54	97-19-36-1X	97-15-45-1X
*-21	Marmon	Spicer Pull Type	1	97-518-15-1X	4	97-35-54	97-19-36-1X	97-15-45-1X
301196 -- Model 1207-2B								
-1	Service	Spicer Pull Type	1	97-518-15-1X	—	97-35-54	97-19-36-1X	97-15-45-1X
-2	Kenworth	Spicer Pull Type	1	97-518-15-1X	1	97-35-54	97-19-36-1X	97-15-45-1X
*-3	Oshkosh	Spicer Pull Type	2	312795X	—	97-35-54	97-19-36-1X	97-15-45-1X
-4	Ford	Spicer Pull Type	2	312795X	—	97-35-54	97-19-36-1X	97-15-45-1X
-5	Ford	Spicer Pull Type	1	97-518-25-1X	—	97-35-54	97-19-36-1X	97-15-45-1X
-6	GMC	Spicer Pull Type	2	97-518-14-1X	—	97-35-54	97-19-36-1X	97-15-45-2X
-7	IHC	Spicer Pull Type	1	97-518-15-1X	—	97-35-54	97-19-36-1X	97-15-45-1X
-8	Ford	Spicer Pull Type	1	97-518-15-1X	—	97-35-54	97-19-36-1X	97-15-45-1X
§-9	Service	Spicer Pull Type	—	—	—	97-35-54	97-19-36-1X	97-15-45-1X
*-10	Oshkosh	Spicer Pull Type	2	97-518-14-1X	—	97-35-54	97-19-36-1X	97-15-45-1X
-11	GMC	Spicer Pull Type	2	97-518-14-1X	—	97-35-54	97-19-36-1X	97-15-45-1X
-12	IHC	Spicer Pull Type	1	97-518-15-1X	—	97-35-54	97-19-36-1X	97-15-45-1X
-13	Ford	Spicer Pull Type	1	97-518-15-1X	—	97-35-54	97-19-36-1X	97-15-45-1X
-14	Ford	Spicer Pull Type	1	97-518-31-1X	—	97-35-54	97-19-36-1X	97-15-45-1X
-15	GMC	Spicer Pull Type	2	97-518-14-1X	—	97-35-54	97-19-36-1X	97-15-45-2X
*-16	Peterbilt	Spicer Pull Type	1	97-518-15-1X	2	97-35-54	97-19-36-1X	97-15-45-1X
-17	Freightliner	Spicer Pull Type	1	97-518-15-1X	—	97-35-54	97-19-36-1X	97-15-45-1X
*-18	Peterbilt	Spicer Pull Type	1	97-518-15-1X	—	97-35-54	97-19-36-1X	97-15-45-1X
*-19	Service	Spicer Pull Type	1	97-518-15-1X	3	97-35-54	97-19-36-1X	97-15-45-1X
-20	White	Spicer Pull Type	1	97-518-25-1X	—	97-35-54	97-19-36-1X	97-15-45-1X
-21	White	Spicer Pull Type	1	97-518-25-1X	—	97-35-54	97-19-36-1X	97-15-45-1X
-22	Volvo White	Spicer Pull Type	1	97-518-15-1X	—	97-35-54	97-19-36-1X	97-15-45-1X
-23	GMC	Spicer Pull Type	2	97-518-49-1X	—	97-35-54	97-19-36-1X	97-15-45-2X

* -- Clutch Brake Assembly 127760X

§ -- Short Box



MODEL 1207

TABULATED BILLS of MATERIAL

T210-SST-6 + 1

Tab No.	REAR BRG. CAP ASS'Y		SPEEDOMETER		End Yoke or Companion Flange	SHIFTER		
	Cap Bushing and Seal	Cap and Bushing	Drive Gear	Driven Gear		Housing Assembly	Lever & Dome Ass'y.	Remote Control
	RH-2	RH-4	RB-9	RH-7		RB-7	Pages 16-19	Page 21
301195 – Model 1207-2A								
-1	97-19-32-2X	97-19-32-1X	—	—	—	97-16-62-29X	—	—
-2	97-19-32-2X	97-19-32-1X	—	—	—	97-16-62-29X	—	—
-3	97-19-32-2X	97-19-32-1X	97-452-2	—	—	97-16-62-29X	—	—
-4	97-19-32-2X	97-19-32-1X	—	—	—	97-16-25-76X	—	—
-5	97-19-32-2X	97-19-32-1X	—	—	—	97-16-62-29X	—	—
-6	97-19-32-2X	97-19-32-1X	97-452-2	—	—	97-16-62-29X	—	—
-7	97-19-32-2X	97-19-32-1X	—	—	—	97-16-25-76X	—	—
-8	97-19-32-2X	97-19-32-1X	—	—	—	97-16-62-29X	—	—
-9	97-19-32-2X	97-19-32-1X	—	—	—	97-16-25-76X	—	—
-10	97-19-32-2X	97-19-32-1X	—	—	—	—	—	—
-11	97-19-32-2X	97-19-32-1X	—	—	—	97-16-62-29X	—	—
-12	97-19-32-2X	97-19-32-1X	97-452-2	97-453-1	—	97-16-62-29X	—	—
-13	97-19-32-2X	97-19-32-1X	—	—	—	97-16-25-76X	—	—
-14	97-19-46-1X	—	97-452-14	—	6-4-5351	97-16-62-29X	—	—
-15	97-19-32-2X	97-19-32-1X	—	—	—	97-16-25-76X	—	—
-16	97-19-32-2X	97-19-32-1X	—	—	—	97-16-62-29X	—	—
-17	97-19-32-2X	97-19-32-1X	—	—	6-4-5351	97-16-62-29X	—	—
-18	97-19-46-1X	—	97-452-14	—	—	97-16-62-33X	—	—
-19	97-19-32-2X	97-19-32-1X	—	—	—	97-16-62-29X	—	—
-20	97-19-32-2X	97-19-32-1X	—	—	—	97-16-25-76X	—	—
-21	97-19-32-2X	97-19-32-1X	97-452-2	97-453-1	6.5-4-3021	97-16-62-29X	—	—
301196 – Model 1207-2B								
-1	97-19-32-2X	97-19-32-1X	—	—	—	97-16-62-29X	—	—
-2	97-19-46-1X	—	97-452-14	—	6-4-5351	97-16-62-29X	—	—
-3	97-19-32-2X	97-19-32-1X	—	—	—	97-16-62-29X	—	—
-4	97-19-32-2X	97-19-32-1X	—	—	—	97-16-25-76X	—	—
-5	97-19-32-2X	97-19-32-1X	—	—	—	97-16-62-29X	—	—
-6	97-19-32-2X	97-19-32-1X	97-452-2	—	—	97-16-62-29X	—	—
-7	97-19-32-2X	97-19-32-1X	—	—	—	97-16-62-29X	—	—
-8	97-19-32-2X	97-19-32-1X	—	—	—	97-16-62-29X	—	—
-9	97-19-32-2X	97-19-32-1X	—	—	—	—	—	—
-10	97-19-32-2X	97-19-32-1X	—	—	—	97-16-62-29X	—	—
-11	97-19-32-2X	97-19-32-1X	97-452-2	—	—	97-16-62-29X	—	—
-12	97-19-32-2X	97-19-32-1X	—	—	—	97-16-25-76X	—	—
-13	97-19-32-2X	97-19-32-1X	—	—	—	97-16-25-76X	—	—
-14	97-19-32-2X	97-19-32-1X	—	—	—	97-16-62-29X	—	—
-15	97-19-32-2X	97-19-32-1X	97-452-2	—	—	97-16-25-76X	—	—
-16	97-19-32-2X	97-19-32-1X	—	—	6-4-5351	97-16-62-29X	—	—
-17	97-19-46-1X	—	97-452-14	—	—	97-16-62-33X	—	—
-18	97-19-32-2X	97-19-32-1X	—	—	—	97-16-62-29X	—	—
-19	97-19-32-2X	97-19-32-1X	97-452-2	97-453-1	6.5-4-3021	97-16-62-29X	—	8049-1X
-20	97-19-32-2X	97-19-32-1X	—	—	—	97-16-62-29X	—	—
-21	97-19-32-1X	97-19-32-1X	—	—	—	97-16-25-76X	—	—
-22	97-19-32-2X	97-19-32-1X	—	—	—	97-16-62-29X	—	—
-23	97-19-32-2X	97-19-32-1X	97-452-2	—	—	97-16-62-29X	—	—

MODEL 1207 TABULATED BILLS of MATERIAL



Tab. No.	Used By	For Use With Clutch	CLUTCH HOUSING			Drive Gear Input Shaft (Two Piece) A-1	Drive Gear Bearing Cap Assembly F-2	Rear Case Assembly Pages 10-13
			S A E	Assembly No. E-2	Rel. Code Page 23			
301199 – Model 1207-3A								
-1	IHC	Spicer Pull Type	1	97-518-15-1X	—	97-35-54	97-19-36-1X	97-15-45-1X
-2	Autocar	Spicer Pull Type	1	97-518-15-1X	—	97-35-54	97-19-36-1X	97-15-45-1X
-3	White	Spicer Pull Type	2	312795X	—	97-35-54	97-19-36-1X	97-15-45-1X
*-4	Autocar	Spicer Pull Type	1	97-518-15-1X	—	97-35-54	97-19-36-1X	97-15-45-1X
-5	Ford	Spicer Pull Type	1	97-518-15-1X	—	97-35-54	97-19-36-1X	97-15-45-1X
-6	Ford	Spicer Pull Type	1	97-518-25-1X	—	97-35-54	97-19-36-1X	97-15-45-1X
-7	White	Spicer Pull Type	1	97-518-25-1X	—	97-35-54	97-19-36-1X	97-15-45-1X
-8	Freightliner	Spicer Pull Type	1	97-518-15-1X	—	97-35-54	97-19-36-1X	97-15-45-1X
-9	IHC	Spicer Pull Type	1	97-518-15-1X	—	97-35-54	97-19-36-1X	97-15-45-1X
-10	GMC	Spicer Pull Type	2	97-518-14-1X	—	97-35-54	97-19-36-1X	97-15-45-2X
-11	Ford	Spicer Pull Type	2	312795X	—	97-35-54	97-19-36-1X	97-15-45-1X
*-12	Care Equipment	Spicer Pull Type	1	97-518-25-1X	3	97-35-54	97-19-36-1X	97-15-45-1X
*-13	Care Equipment	Spicer Pull Type	1	97-518-25-1X	3	97-35-54	97-19-36-1X	97-15-45-1X
§-14	Service	Spicer Pull Type	—	—	—	97-35-54	97-19-36-1X	97-15-45-1X
-15	Service	Spicer Pull Type	1	97-518-15-1X	—	97-35-54	97-19-36-1X	97-15-45-1X
*-16	Cummins	Spicer Pull Type	2	97-518-18-1X	3	97-35-54	97-19-36-1X	97-15-45-1X
*-17	Cummins	Spicer Pull Type	2	97-518-18-1X	3	97-35-54	97-19-36-1X	97-15-45-1X
-18	Ford	Spicer Pull Type	2	312795X	—	97-35-54	97-19-36-1X	97-15-45-1X
*-19	Marmon Mtrs.	Spicer Pull Type	1	97-518-15-1X	4	97-35-54	97-19-36-1X	97-15-45-1X
*-20	IHC	Spicer Pull Type	2	312795X	—	97-35-54	97-19-36-1X	97-15-45-1X
-21	White	Spicer Pull Type	1	97-518-25-1X	—	97-35-54	97-19-36-1X	97-15-45-1X
*-22	Peterbilt	Spicer Pull Type	1	97-518-15-1X	2	97-35-54	97-19-36-1X	97-15-45-1X
-23	Freightliner	Spicer Pull Type	1	97-518-15-1X	—	97-35-54	97-19-36-1X	97-15-45-1X
*-24	Peterbilt	Spicer Pull Type	1	97-518-15-1X	—	97-35-54	97-19-36-1X	97-15-45-1X
*-25	Crane Carrier	Spicer Pull Type	1	97-518-25-1X	3	97-35-54	97-19-36-1X	97-15-45-1X
-26	Kenworth	Spicer Pull Type	1	97-518-15-1X	1	97-35-54	97-19-36-1X	97-15-45-1X
*-27	Osterlund	Spicer Pull Type	2	312795X	3	97-35-54	97-19-36-1X	97-15-45-1X

* – Clutch Brake Assembly 127760X

§ – Short Box



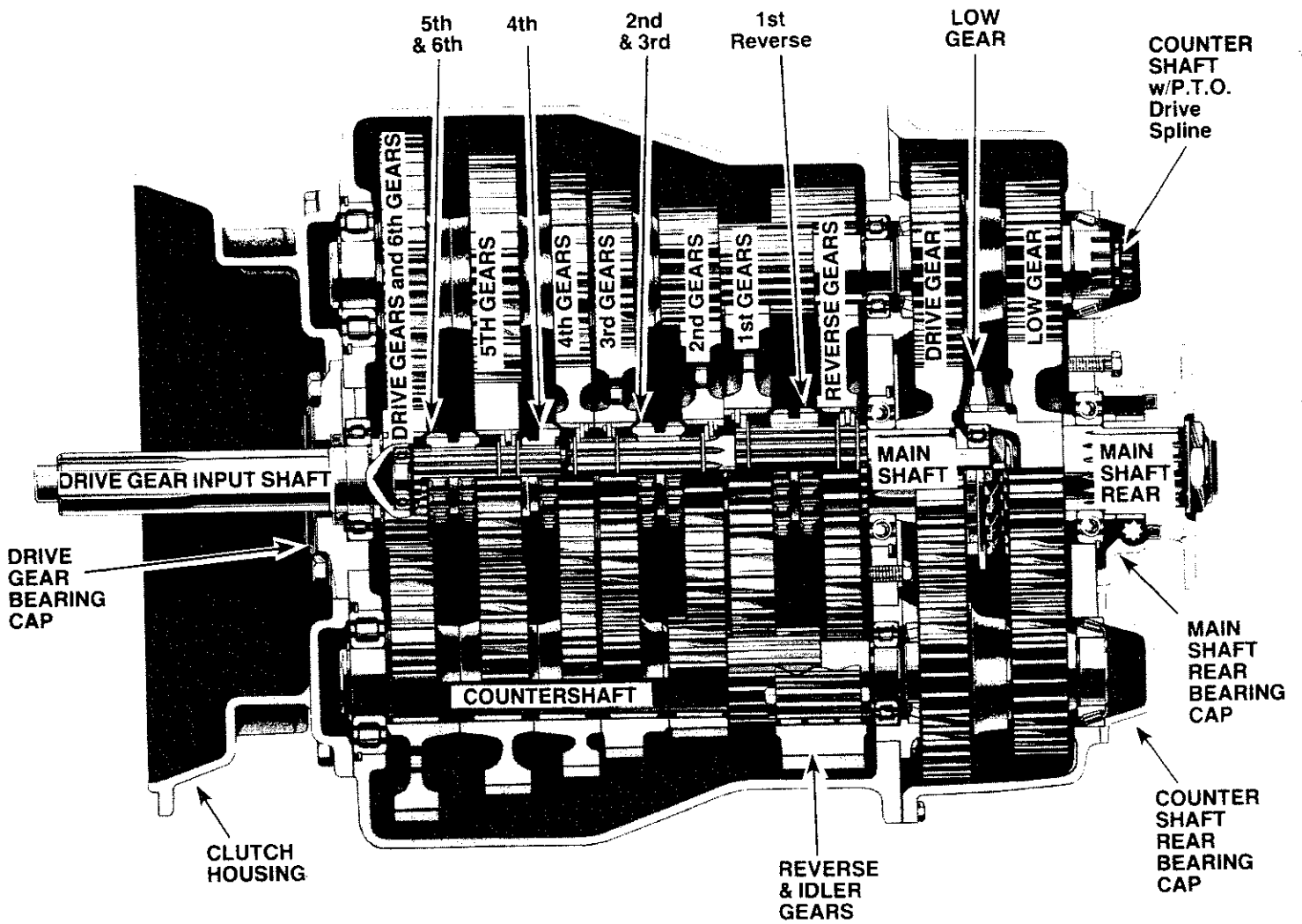
MODEL 1207

TABULATED BILLS of MATERIAL

T210-SST-6 + 1

Tab No.	REAR BRG. CAP ASS'Y		SPEEDOMETER		End Yoke or Companion Flange	SHIFTER		
	Cap Bushing and Seal	Cap and Bushing	Drive Gear	Driven Gear		Housing Assembly	Lever & Dome Ass'y.	Remote Control
	RH-2	RH-4	RB-9	RH-7		Pages 16-19	Page 21	Page 20
301199 - Model 1207-3A								
-1	97-19-32-2X	97-19-32-1X	—	—	—	97-16-62-29X	—	—
-2	97-19-32-2X	97-19-32-1X	97-452-2	—	—	97-16-62-29X	—	—
-3	97-19-32-2X	97-19-32-1X	—	—	—	97-16-62-29X	—	—
-4	97-19-32-2X	97-19-32-1X	97-452-2	—	—	97-16-25-76X	—	—
-5	97-19-32-2X	97-19-32-1X	—	—	—	97-16-25-76X	—	—
-6	97-19-32-2X	97-19-32-1X	—	—	—	97-16-62-29X	—	—
-7	97-19-32-2X	97-19-32-1X	—	—	—	97-16-62-29X	—	—
-8	97-19-32-2X	97-19-32-1X	—	—	—	97-16-62-33X	—	—
-9	97-19-32-2X	97-19-32-1X	—	—	—	97-16-25-76X	—	—
-10	97-19-32-2X	97-19-32-1X	97-452-2	—	—	97-16-62-29X	—	—
-11	97-19-32-2X	97-19-32-1X	—	—	—	97-16-25-76X	—	—
-12	97-19-32-2X	97-19-32-1X	97-452-2	97-453-1	6.5-4-3021	97-16-62-29X	—	8049X
-13	97-19-32-2X	97-19-32-1X	97-452-2	97-453-1	6-4-5351	97-16-62-29X	—	8049X
-14	97-19-32-2X	97-19-32-1X	—	—	—	—	—	—
-15	97-19-32-2X	97-19-32-1X	—	—	—	97-16-62-29X	—	—
-16	97-19-32-2X	97-19-32-1X	97-452-2	97-453-1	6-1-4881	97-16-62-29X	—	8049X
-17	97-19-32-2X	97-19-32-1X	97-452-2	97-453-1	6-4-5351	97-16-62-29X	—	8049X
-18	97-19-32-2X	97-19-32-1X	—	—	—	97-16-25-76X	—	—
-19	97-19-32-2X	97-19-32-1X	97-452-2	97-453-1	6.5-4-3021	97-16-62-29X	312820-1X	—
-20	97-19-32-2X	97-19-32-1X	—	—	—	97-16-25-76X	—	—
-21	97-19-32-2X	97-19-32-1X	—	—	—	97-16-25-76X	—	—
-22	97-19-32-2X	97-19-32-1X	—	—	6-4-5351	97-16-62-29X	—	—
-23	97-19-46-1X	—	97-452-14	—	—	97-16-62-33X	—	—
-24	97-19-32-2X	97-19-32-1X	—	—	—	97-16-62-29X	—	—
-25	97-19-32-2X	97-19-32-1X	97-452-2	97-453-1	—	97-16-62-29X	—	8049X
-26	97-19-46-1X	—	97-452-14	—	6-4-5351	97-16-62-29X	—	—
-27	97-19-32-2X	97-19-32-1X	97-452-2	97-453-1	6.5-4-3021	97-16-62-29X	312820-1X	—

CLUTCH COLLARS





14700 Helm Court
Plymouth, MI 48170
(800) 401-9866 or (734) 456-3770
Fax: (734) 456-3739
www.ttcautomotive.com

