



ES56-7B & ESO66-7B
(w/OPTI-RAIL)

Parts Catalog

Bulletin No. T210-ES56-7B

June 2000



MODEL ES56-7B/ES066-7B

CONTENTS, RATIO TABLE and IDENTIFICATION

T210-ES56-7B

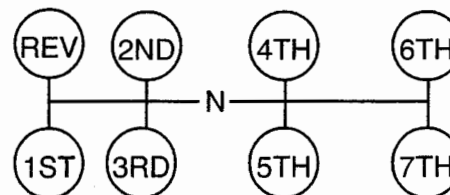
CONTENTS

RATIO TABLE & IDENTIFICATION	1
GEARS AND RELATED PARTS	2-9
DRIVE GEAR GROUP	2-3
DRIVE GEAR TABLE	3
MAINSHAFT GROUP - FRONT	4-5
MAINSHAFT GROUP - REAR	6-7
END YOKE TABLE	7
COUNTERSHAFT GROUP - FRONT	8-9
COUNTERSHAFT GROUP - REAR	8-9
REVERSE IDLER - GROUP	8-9
CLUTCH HOUSING GROUP	10-11
DRIVE GEAR BEARING CAP GROUP	10-11
CASE GROUP - FRONT	12-13
CASE GROUP - REAR	14-15
MAINSHAFT REAR BEARING CAP GROUP	14-15
COUNTERSHAFT REAR BEARING CAP GROUP	14-15
SHIFT BAR AND FORK ASSEMBLIES	16-17
SHIFT LEVER AND TOWER ASSEMBLIES	18-19
CLUTCH RELEASE CODE TABLE	20-21
OVERHAUL KITS—MAJOR AND MINOR	22-23
TABULATED BILLS OF MATERIALS	24-27

RATIO TABLE

SPEEDS	MODELS	
	ES56-7B	ES066-7B
1st	10.09	7.48
2nd	5.98	4.43
3rd	3.72	2.76
4th	2.56	1.90
5th	1.81	1.34
6th	1.35	1.00
7th	1.00	.74
Rev.	8.99	6.66

SHIFT PATTERN



IDENTIFICATION

The Name Plate (NP-196) affixed to the LOWER REAR RIGHT side of the Transmission Case is stamped with the information shown below.

SERIAL

B/M No. MODEL

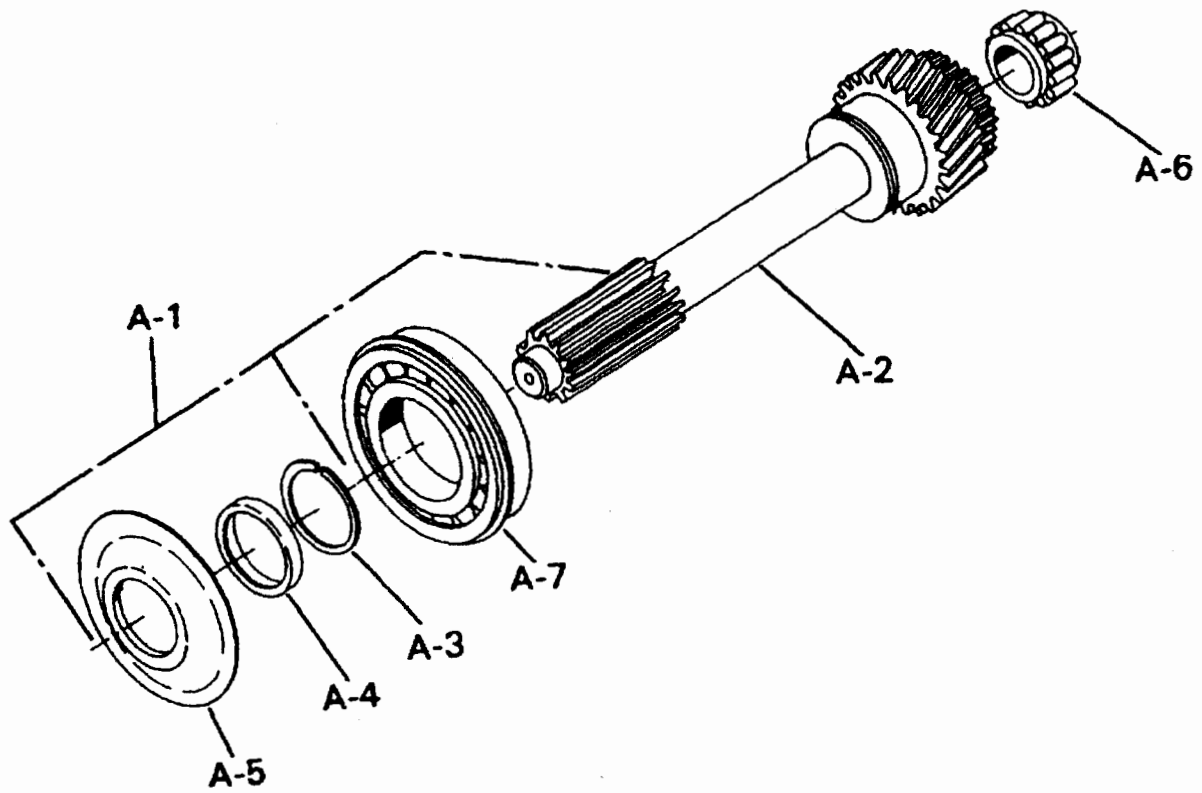
Abbreviations used in this parts list include:

- N.S. — Not Shown
- N.S.S. — Not Sold Separately
- N.R. — Not Required
- A.R. — As Required

In requesting more information on the Transmission, please furnish the information shown.

ES56-7B/ESO66-7B
GEARS and RELATED PARTS

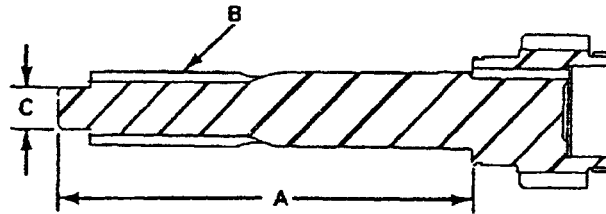
T210-ES56-7B



EASY SHIFT 7 SPEED MODELS GEARS and RELATED PARTS

T210-ES56-7B

Ref. No.	Part No.	Description	Qty.
A-1	See Tab Bills	Drive Gear Group Drive Gear - Sub-Assembly (includes A-2 thru A-5)	1
A-2	N.S.S.	Drive Gear (see table below)	1
A-3	82-381-2	Snap Ring	1
A-4	101-468-2	Oil Ring	1
A-5	101-468-1	Baffle - Oil	1
A-6	56-482-1	Bearing - Mainshaft Pocket	1
A-7	101-482-1	Bearing - Drive Gear	1



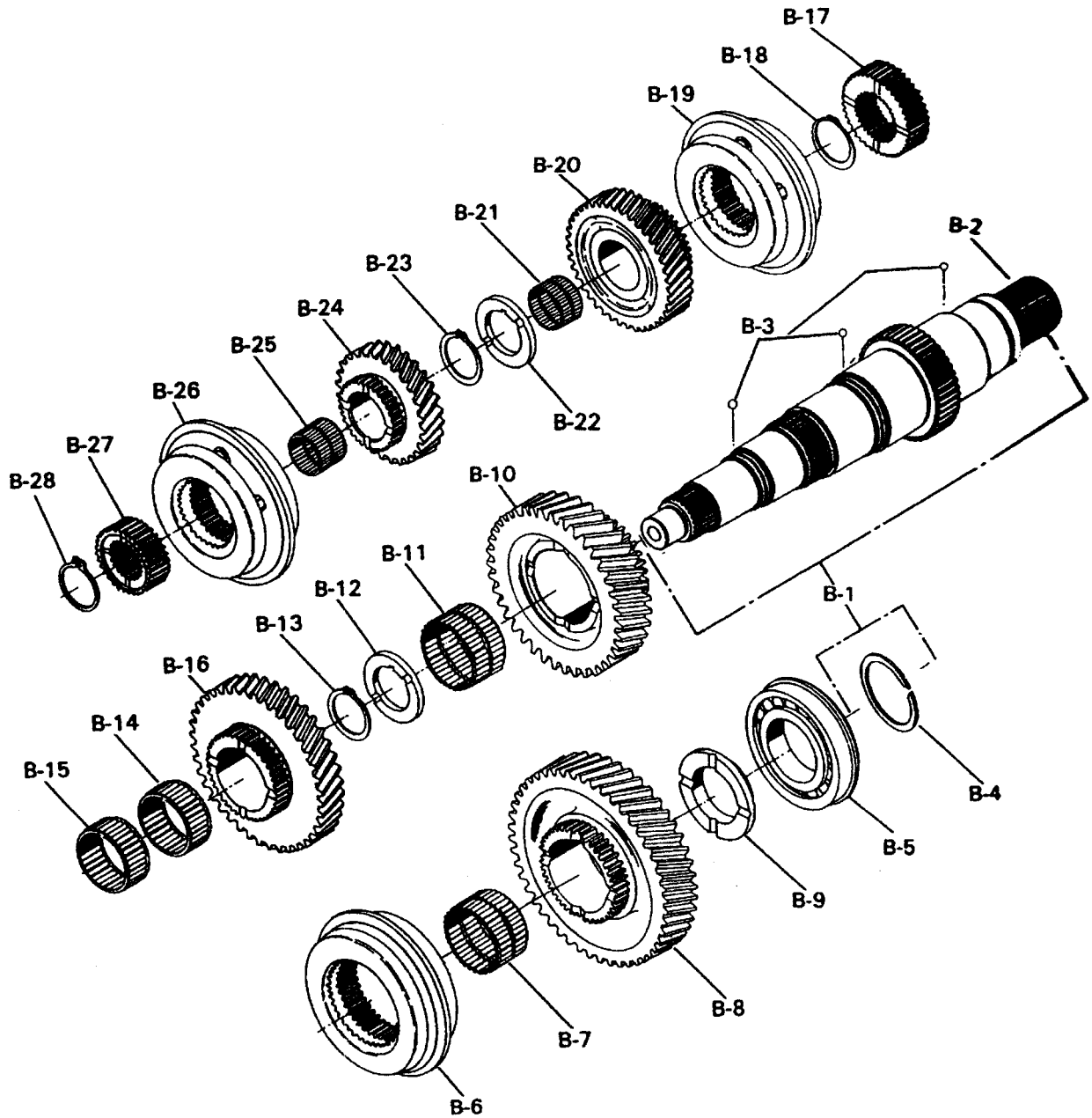
DRIVE GEAR TABLE

Teeth	A Input Shaft Length	B Spline Dia. & No. of Teeth	C Pilot Size	Drive Gear Sub-Assembly (Includes 49-468-2)
ES56-7B				
22T	9.89"	1.750"-10 spline	.9837"	56-35-3-1X
22T	9.89"	1.750"-10 spline	1.180"	56-35-4-1X
22T	9.89"	1.500"-10 spline	1.180"	56-35-6-1X
22T	9.89"	1.500"-10 spline	.9837"	56-35-7-1X
ES066-7B				
25T	9.89"	1.750"-10 spline	.9837"	101-35-19-1X
25T	9.89"	1.500"-10 spline	.9837"	101-35-23-1X
25T	9.89"	1.750"-10 spline	1.180"	101-35-26-1X
25T	9.89"	1.500"-10 spline	1.180"	101-35-27-1X

N.S.S. - Not Sold Separately

ES56-7B/ESO66-7B GEARS and RELATED PARTS

T210-ES56-7B



EASY SHIFT 7 SPEED MODELS

GEARS and RELATED PARTS

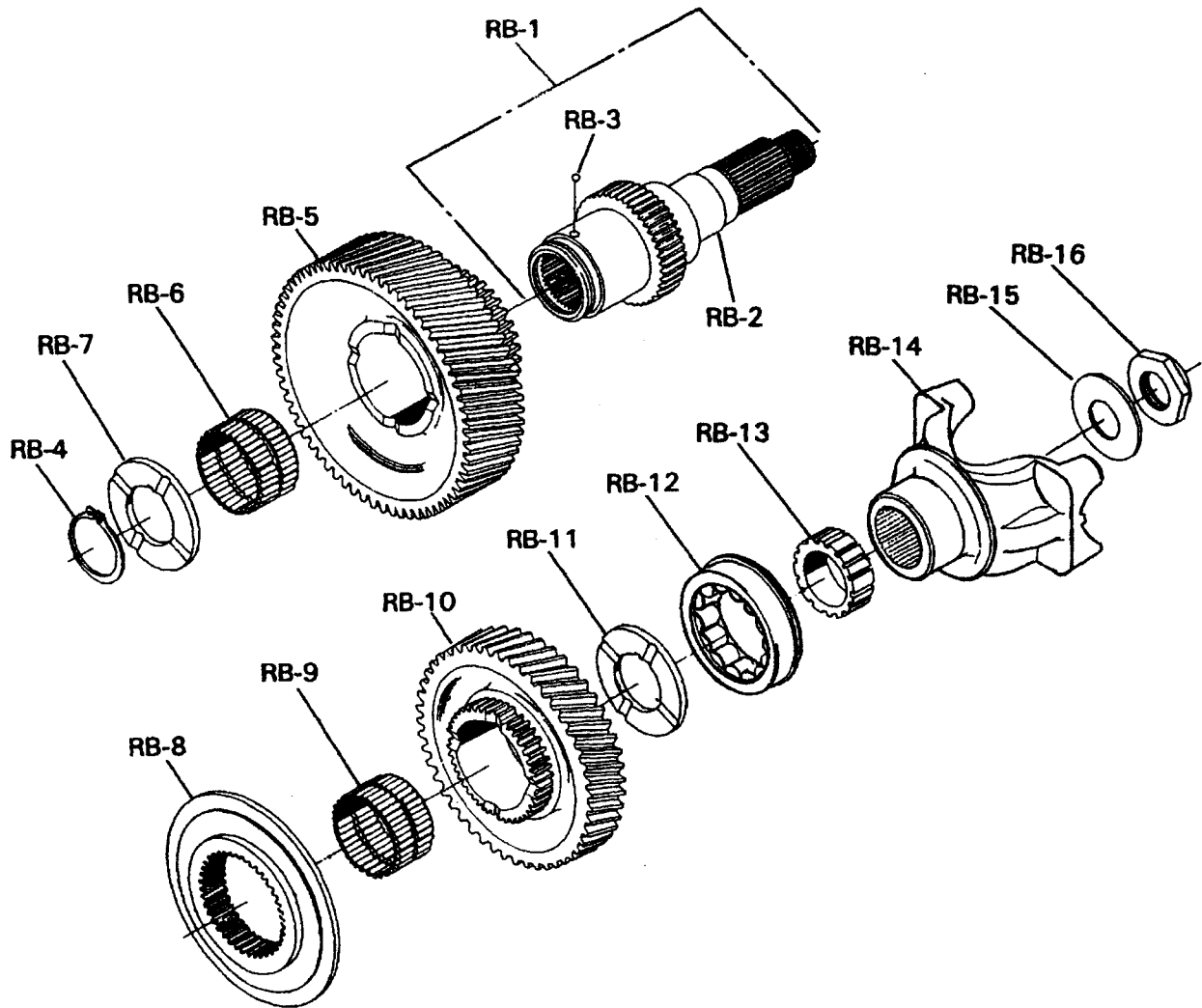
T210-ES56-7B

Ref. No.	Part No.	Description	Qty.
		Mainshaft Group - Front	
B-1	101-362-7-1X	Mainshaft Sub-Assembly (includes B-2 thru B-4) (ES066-7B)	1
or	104-362-1	Mainshaft - Front (ES56-7B)	1
B-2	N.S.S.	Mainshaft - Front	1
B-3	500566-5	Ball - Mainshaft Thrust Washer	4
B-4	82-381-2	Snap Ring - Countershaft Drive Gear	1
B-5	101-482-1	Bearing - Intermediate Shaft	1
B-6	101-464-3X	Synchronizer - 2nd & 3rd Mainshaft*	1
B-7	550991	Bearing - 2nd Speed Needle	1
B-8	104-8-7	Gear - 2nd Speed Mainshaft (35T)	1
B-9	101-47-6	Washer - 2nd Speed Thrust	1
B-10	104-8-9	Gear - 3rd Speed Mainshaft (29T)	1
B-11	550991	Bearing - 3rd Speed Needle	1
B-12	101-47-2	Washer - 3rd & 4th Speed Thrust	1
B-13	101-381-2	Snap Ring - 3rd & 4th Speed Thrust Washer	1
B-14	551005	Bearing - 4th Speed Needle	1
B-15	551006	Bearing - 4th Speed Needle	1
B-16	101-8-25	Gear - 4th Speed Mainshaft (30T) (ES066-7B)	1
or	104-8-6	Gear - 4th Speed Mainshaft (30T) (ES56-7B)	1
B-17	101-466-4	Gear - 4th & 5th Mainshaft Clutch	1
B-18	40-381-4	Snap Ring - 4th & 5th Clutch Gear	1
B-19	101-464-2X	Synchronizer .4th & 5th Mainshaft	1
B-20	101-8-24	Gear - 5th Speed Mainshaft (30T) (ES066-7B)	1
or	104-8-5	Gear - 5th Speed Mainshaft (30T) (ES56-7B)	1
B-21	551004	Bearing - 5th Speed Needle	2
B-22	101-47-1	Washer - 5th & 6th Speed Thrust	1
B-23	101-381-1	Snap Ring - 5th & 6th Speed Thrust Washer	1
B-24	104-8-4	Gear - 6th Speed Mainshaft ES56-7B (25T)	1
or	101-8-22	Gear - 7th Speed Mainshaft ES066-7B (22T)	1
B-25	551003	Bearing - 6th Speed Needle	2
B-26	101-464-1X	Synchronizer - 6th & 7th Mainshaft	1
B-27	56-466-1	Gear - 6th & 7th Mainshaft Clutch (ES56-7B)	1
or	101-466-2	Gear - 6th & 7th Mainshaft Clutch (ES066-7B)	1
B-28	40-381-1	Snap Ring - 6th & 7th Clutch Gear	1

N.S.S. - Not Sold Separately

ES56-7B/ESO66-7B GEARS and RELATED PARTS

T210-ES56-7B



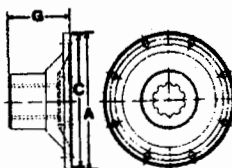
ES56-7B/ES066-7B

GEARS and RELATED PARTS

T210-ES56-7B

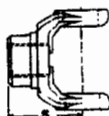
Ref. No.	Part No.	Description	Qty.
Mainshaft Group - Rear			
RB-1	101-362-5-1X	Mainshaft Sub-Assy. (includes RB-2, RB-3, 101-381-4 & 101-47-5)	1
RB-2	N.S.S.	Mainshaft Rear (part marked as 101-362-5)	1
RB-3	500566-5	Ball - Thrust Washer	1
RB-4	101-381-4	Ring - Snap 1st Speed Thrust Washer	1
RB-5	104-8-1	Gear - 1st Speed Mainshaft Gear (64T)	1
RB-6	550991	Bearing - 1st Speed Needle	1
RB-7	101-47-5	Washer - 1st Speed Thrust	1
RB-8	101-465-7	Collar - 1st and Reverse Clutch	1
RB-9	550991	Bearing - Reverse Mainshaft Needle	1
RB-10	104-8-2	Gear - Reverse Mainshaft - Rear (57T)	1
RB-11	101-47-4	Washer - Thrust Reverse Gear	1
RB-12	550989	Bearing - Mainshaft Rear	1
RB-13	See Tab Bills	Gear - Speedometer Signal/Drive	1
RB-14	See Table	Companion Flange or End Yoke (see table below)	1
RB-15	53-205-1	Washer - Mainshaft Nut - Rear	1
RB-16	501200	Nut - Mainshaft - Rear (1.250"-18)	1

N.S.S. - Not Sold Separately

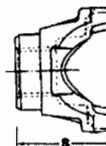


Companion Flanges

Joint Series	A Flange Diameter	Part No. Companion Flange Assembly	Part No. Companion Flange	G End of Hub to Flange Face Length	C Pilot Diameter F-Female M-Male	Brake Size
1480/1550	Rectangular	—	53-106-2	2 7/8"	F3 3/4"	—



FULL ROUND



**U-BOLT—BRG. STRAP—HALF ROUND
End Yokes**

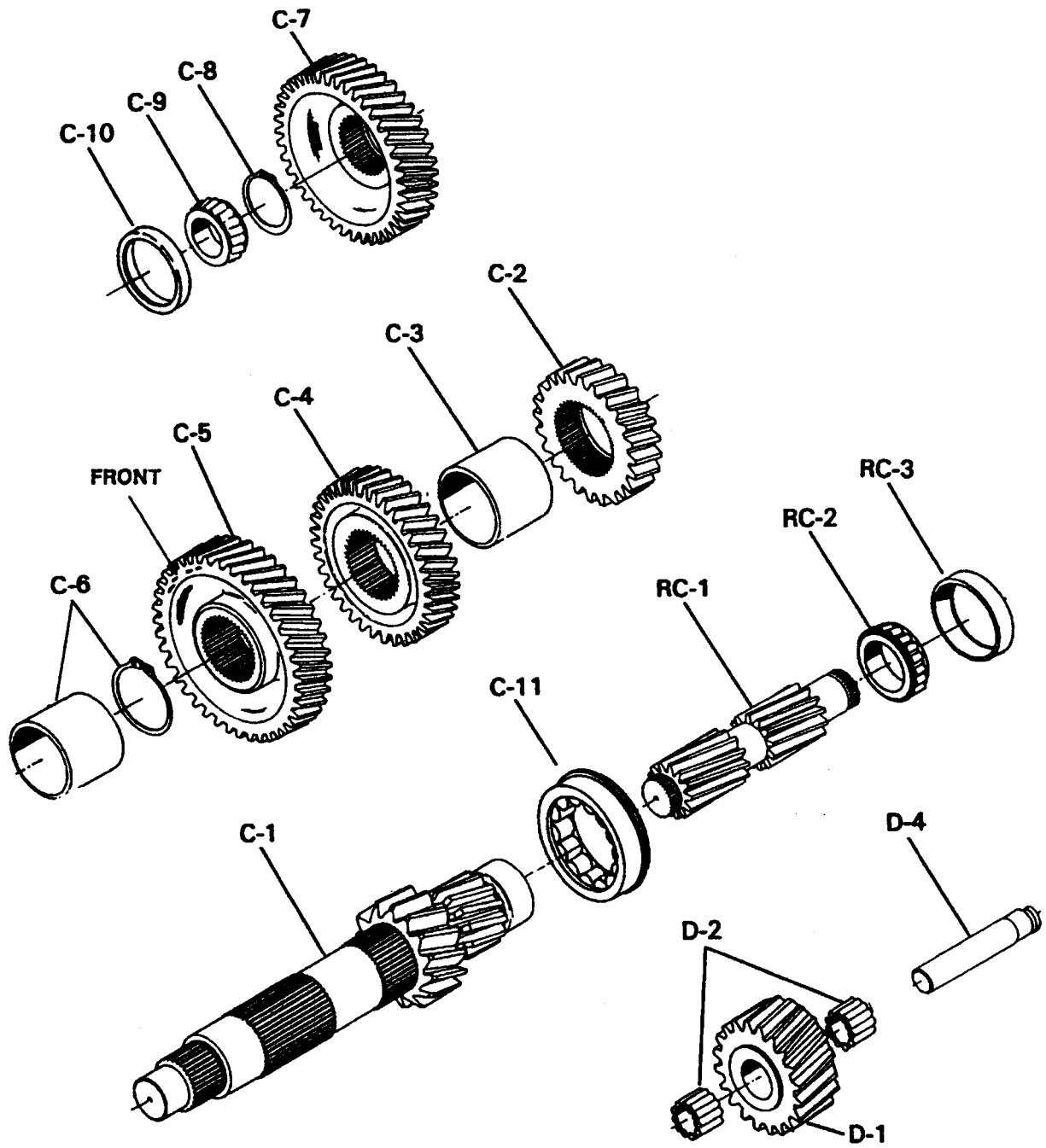
Series	Yoke Style	End Yoke Part Number	S End of Hub to Center of Line Length	Momentary Joint Angle	Brake Size
1480	U-Bolt	3-4-8781	4 11/64"	22 1/2°	—
1550	U-Bolt	4-4-4491	4 1/64"	21 1/2°	—
1550	Brg. Strap*	4-4-4491-1	4 1/64"	21 1/2°	—
1550	Half Rnd.	(A)4-4-6111-1X	7 1/32"	22°	12 x 4
1590	Half Rnd.	4-9-4-81 -1	4 3/8"	25°	—
1610	Full Rnd.	5-4-6321	4"	19°	—
1610	Half Rnd.	5-4-6321-1	4"	19°	—
1610	Half Rnd.	(A) 5-4-7611-1X	7 9/16"	22°	12 x 4
1710	Full Rnd.	6-4-7301	5 1/4"	33 1/2°	—
1710	Half Rnd.	6-4-7301-1	5 1/4"	33 1/2°	—

(A) Assembly Includes Brake Drum

*With Tapped Holes

ES56-7B/ESO66-7B GEARS and RELATED PARTS

T210-ES56-7B



ES56-7B/ES066-7B

GEARS and RELATED PARTS

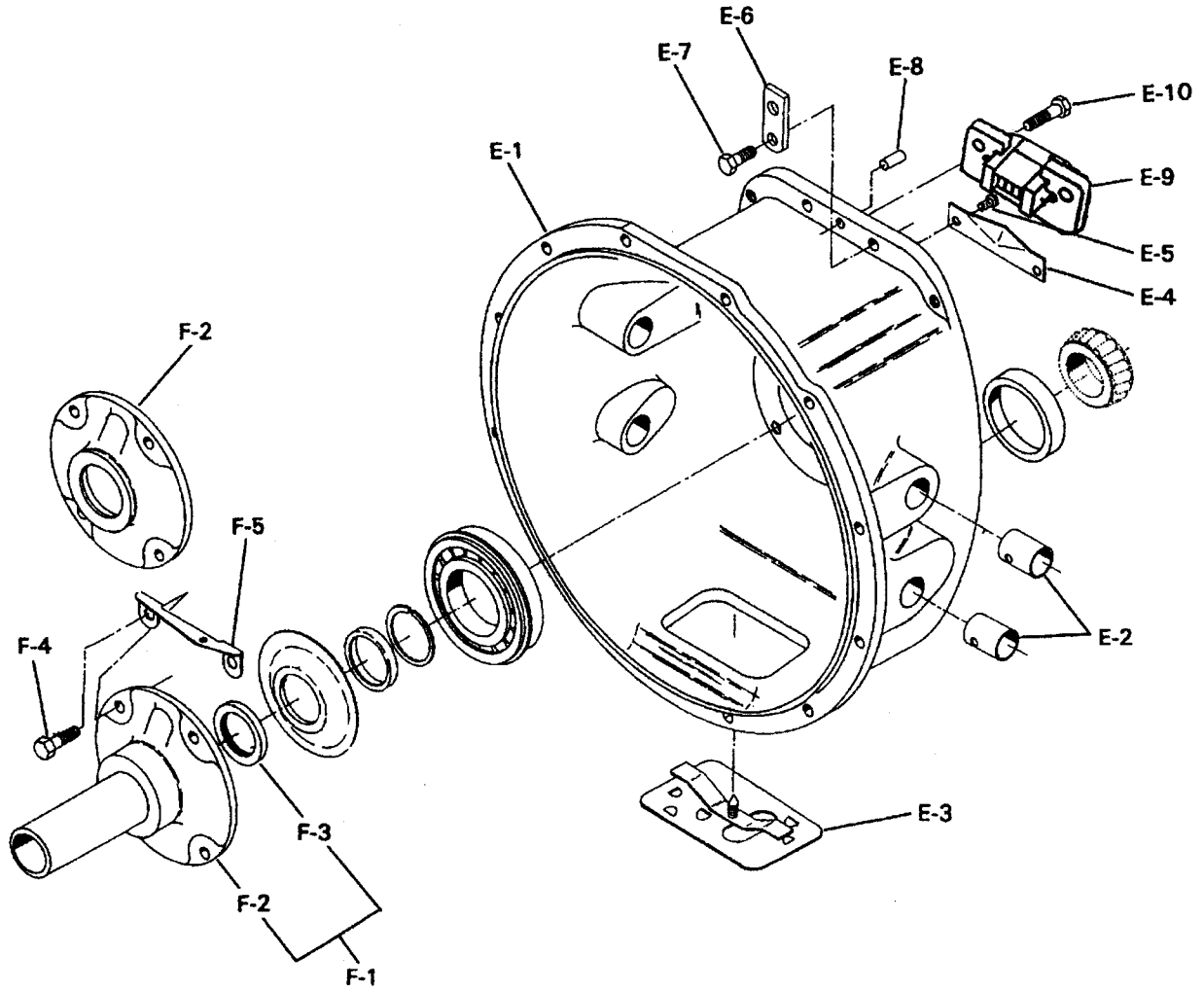
T210-ES56-7B

Ref. No.	Part No.	Description	Qty.
Countershaft Group - Front			
C-1	101-30-2-1X	Countershaft - Front (16T/12T) (ES066-7B)	1
or	104-30-2-1X	Countershaft - Front (16T/12T) (ES56-7B)	1
C-2	101-196-8	Gear - 4th Speed Countershaft - Front (24T) (ES066-7B)	1
or	104-196-3	Gear - 4th Speed Countershaft - Front (24T) (ES56-7B)	1
C-3	101-37-1	Spacer - 4th & 5th Countershaft - Front	1
C-4	101-196-6	Gear - 5th Speed Countershaft - Front (34T) (ES066-7B)	1
or	104-196-2	Gear - 5th Speed Countershaft - Front (34T) (ES56-7B)	1
C-5	101-196-9	Gear - 6th Speed Countershaft - Front (45T) (ES066-7B)	1
or	104-196-1	Gear - 6th Speed Countershaft - Front (38T) (ES56-7B)	1
C-6	27-381-5	Ring - Snap 6th Speed Countershaft - Front (ES066-7B)	1
or	104-37-1	Spacer - 6th Speed Countershaft - Front (ES56-7B)	1
C-7	101-1-4	Gear - Head End Drive Countershaft - Front (38T) (ES066-7B)	1
or	56-1-3	Gear - Head End Drive Countershaft - Front (45T) (ES56-7B)	1
C-8	40-381-3	Ring - Snap Countershaft Head End Gear	1
or	56-381-1	Ring - Snap Countershaft Head End Gear	1
C-9	550868	Bearing - Cone Countershaft - Front	1
C-10	550978	Bearing - Cup Countershaft - Front	1
C-11	551007	Bearing - Intermediate Countershaft - Front	1
Countershaft Group - Rear			
RC-1	104-30-3	Countershaft - Rear (with PTO Drive) (13T/13T)	1
RC-2	550868	Bearing - Cone Countershaft - Rear	1
RC-3	550978	Bearing - Cup Countershaft - Rear	1
Reverse Idler Group			
D-1	104-5-1	Gear - Reverse Idler (31T)	1
D-2	550886	Bearing - Reverse Idler	2
D-4	63-60-1	Shaft - Reverse Idler	1

ES56-7B/ESO66-7B

CLUTCH HOUSING and DRIVE GEAR BEARING CAP GROUP

T210-ES56-7B



ES56-7B/ES066-7B
CLUTCH HOUSING and DRIVE GEAR BEARING CAP GROUP

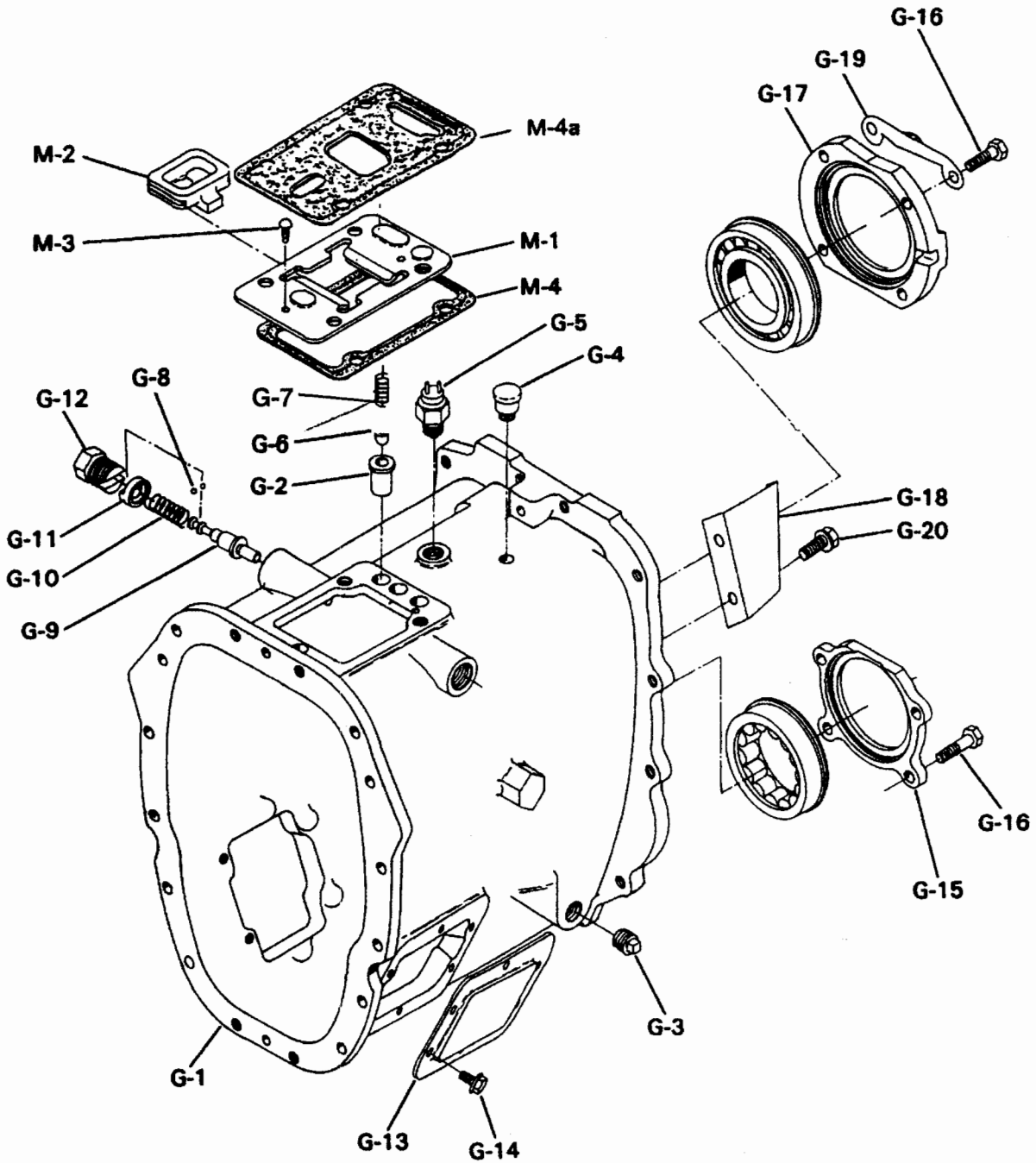
T210-ES56-7B

Ref. No.	Part No.	Description	Qty.
		Clutch Housing Group	
	101 -51 8-7-2X	Clutch Housing Assembly (includes E-1 thru E-5)	1
E-1	N.S.S.	Clutch Housing (C101-518-1)	1
E-2	128C-20	Bushing - Clutch Release Shaft	4
E-3	46-96-2-1X	Hand Hole Cover	1
E-4	40-468-1	Oil Trough	1
E-5	545141	Drive Pin	2
E-6	330969-4	Lift Hook	1
E-7	545002-4	Bolt - Clutch Housing (.375-16 x 1.125)	16
E-8	545086	Dowel Pin - Clutch Housing to Front Case	2
E-9	101-477-5	Support - Shift Bar - Front	1
E-10	545002-9	Screw - Shift Bar Support - Front (.375-16 x 2.250)	2
		Drive Gear Bearing Cap Group	
F-1	See Tab Bills	Cap & Seal Assembly - Drive Gear (includes F-2 thru F-3)	1
	101-19-2-1X	Cap & Seal Assembly - (flat cap) (C101-19-1)	1
	101-19-6-1X	Cap & Seal Assembly - (stem cap) (C101-19-5)	1
F-2	N.S.S.	Cap - Drive Gear	1
F-3	60-463-10-1X	Oil Seal (includes installation sleeves)	1
F-4	545002	Screw - Drive Gear Bearing Cap (.375-16 x 1.00)	4
F-5	101-411-1	Bracket - Clutch Return Spring (Navistar only)	1

N.S.S. - Not Sold Separately

ES56-7B/ESO66-7B
CASE GROUP and RELATED PARTS - FRONT

T210-ES56-7B



EASY SHIFT 7 SPEED MODELS

CASE GROUP and RELATED PARTS - FRONT

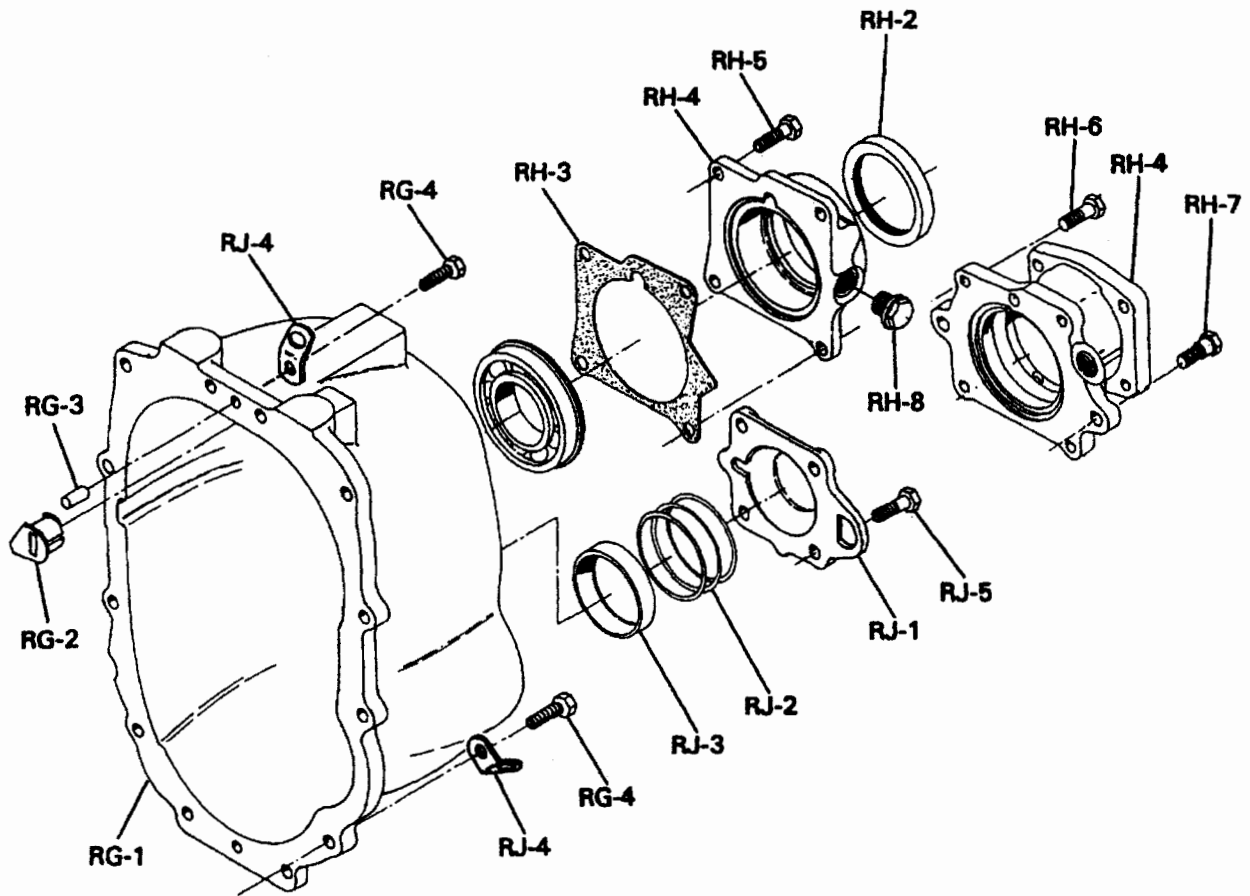
T210-ES56-7B

Ref. No.	Part No.	Description	Qty.
		Case Group	
	101-15-6-1X	Case Assembly - Front (includes G-1 thru G-4 and 101-360-5-1X)	1
G-1	N.S.S.	Case - Front (C101-15-1)	1
N.S.	NP-96	Name Plate	1
N.S.	NP-196	Patent Plate	1
N.S.	252-SP	Pin - Name Plate	4
N.S.	330934	Magnet - Ceramic (located inside rear of case)	2
N.S.	545123	Plug - Filler/Drain - Magnetic (1.062-12 UNF-2A) (located lower left side near rear face)	2
N.S.	330800	Plug - Brake Mount Hole (.375-16 x .750)	4
N.S.	545086	Pin-Dowel (main case to clutch housing & main case to rear case)	4
G-2	101-487-1	Insert - Poppet Spring	2
G-3	201-39-1	Plug - Temperature Indicator Hole	1
G-4	312268	Breather	1
G-5	313552	Switch - Back-Up Light Ref. (see B/M for OEM specified)	1
G-5	313538	Switch - Back-Up Light	1
G-6	101-80-2	Ball - Poppet	2
G-7	101-72-10	Spring - Poppet	2
G-8	550566-7	Ball - Steel (.250 dia.) Plunger 6th & 7th Crossgate	4
G-9	101-438-12	Plunger - 6th & 7th Crossgate	2
G-10	101-72-6-1X	Spring - Low & Rev. (orange) (located right side as shown)	1
and	101-72-5	Spring - Plunger 6th & 7th Crossgate (located left side)	1
G-11	101-135-1	Pusher - Plunger Spring 6th & 7th Crossgate	2
G-12	38P-4	Plug - 1st & Rev./6th & 7th Crossgate Plunger	2
G-13	50-267-2	Cover - PTO Aperture (6 bolt)	2
G-14	330800	Screw - PTO Aperture Cover (.375-16 x .750)	12
N.S.	545056-3	Anaerobic Sealant (approx. 6 cc)	A/R
	101-360-5-1X	Kit - Retainer Intermediate Countershaft Bearing	1
G-15	101-360-5	Clip - Retainer Intermediate Countershaft Bearing	2
G-16	545002	Screw - Retainer Plate Countershaft (.375-16 x 1.00)	2
G-17	101-360-2	Plate - Retainer Intermediate Mainshaft Bearing	1
G-18	101-468-3	Oil Trough - Mainshaft 1st Speed Gear	1
G-16	545002	Screw - Oil Trough & Intermediate Retainer (.375-16 x 1.00)	4
G-16	545002	Screw - Intermediate Shift Bar Support (.375-16 x 1.00)	2
G-19	101-468-4	Oil Trough - Mainshaft Bearing	1
G-20	330800	Screw - Oil Trough Mainshaft Bearing (.375-16 x 7.50)	2
		Interlock Group	
M-1	101-200-7	Plate - Interlock Retainer	1
M-2	101-12-1	Interlock	1
M-3	545091	Screw - Drive Interlock Retainer	2
M-4	101-118-1	Gasket - Interlock Plate and Tower	1
M-4a	101-118-2	Gasket - Interlock Plate and Tower	1

N.S. - Not Shown
A/R - As Required

ES56-7B/ESO66-7B
CASE GROUP and RELATED PARTS - REAR

T210-ES56-7B



ES56-7B/ES066-7B
CASE GROUP and RELATED PARTS - REAR

T210-ES56-7B

Ref. No.	Part No.	Description	Qty.
		Case Group - Rear	
	101-15-5-1X	Case Assembly - Rear	1
RG-1	N.S.S.	Case - Rear (C101-15-3)	1
N.S.	545012	Plug - Brake Mounting Holes in Rear Face	2
N.S.	545089-1	Plug - Brake Mounting Lugs	2
RG-3	545086	Pin - Dowel - Rear Case to Front Case	2
RG-4	545002-4	Screw - Rear Case (.375-16 x 1.250)	12
		Mainshaft Rear Bearing Cap Group	
RH-1	See Tab Bills	Cap - Sub-Assembly Mainshaft Rear Bearing	1
	40-19-41-2X	Cap - Sub-Assy. M/S Rear Brg. (12x4 DCM brake) (C40-19-44)	1
or	40-19-43-2X	Cap - Sub-Assy. Mainshaft Rear Bearing (air) (C40-19-46)	1
or	40-19-19-2X	Cap - Sub-Assy. M/S Rear Brg. (12x4 DCM) Mech. Speedo(C40-19-19)	1
N.S.	60-475-1	Bushing - Speedometer (40-19-19-2X)	1
RH-2	63-463-1	Oil Seal	1
RH-3	40-223-5	Gasket (for 12x4 DCM brake cap)	1
or	40-223-4	Gasket (for air cap)	1
RH-4	N.S.S.	Cap - Mainshaft Rear Bearing	1
RH-5	545002-4	Screw - Mainshaft Rear Bearing Cap (air cap)	4
or			
RH-6	545002-2	Screw - M/S Rear Bearing Cap (.375-16 x 1.375) (brake cap)	4
and			
RH-7	545134	Screw - M/S Rear Bearing Cap (.438-14 x 1.250) (brake cap)	2
RH-8	545021	Plug - Electronic Speedo/Cruise (.750 - 16 UNF-2A)	1
		Countershaft Rear Bearing Cap Group	
RJ-1	101-22-1	Cap - Countershaft Rear Bearing	1
RJ-2	49-228-1-1	Shim - Countershaft Rear Bearing (.005")	A/R
	49-228-1-2	Shim - Countershaft Rear Bearing (.010")	A/R
	49-228-1-3	Shim - Countershaft Rear Bearing (.015")	A/R
RJ-3	550978	Cup - Countershaft Rear Bearing	1
RJ-4	330564-1	Lift Hook	2
and	330969-4	Lift Hook	1
RJ-5	545002	Screw - Countershaft Rear Bearing Cap (.375-16 x 1.250)	4

Note: Countershaft end play should be .001" - .008"

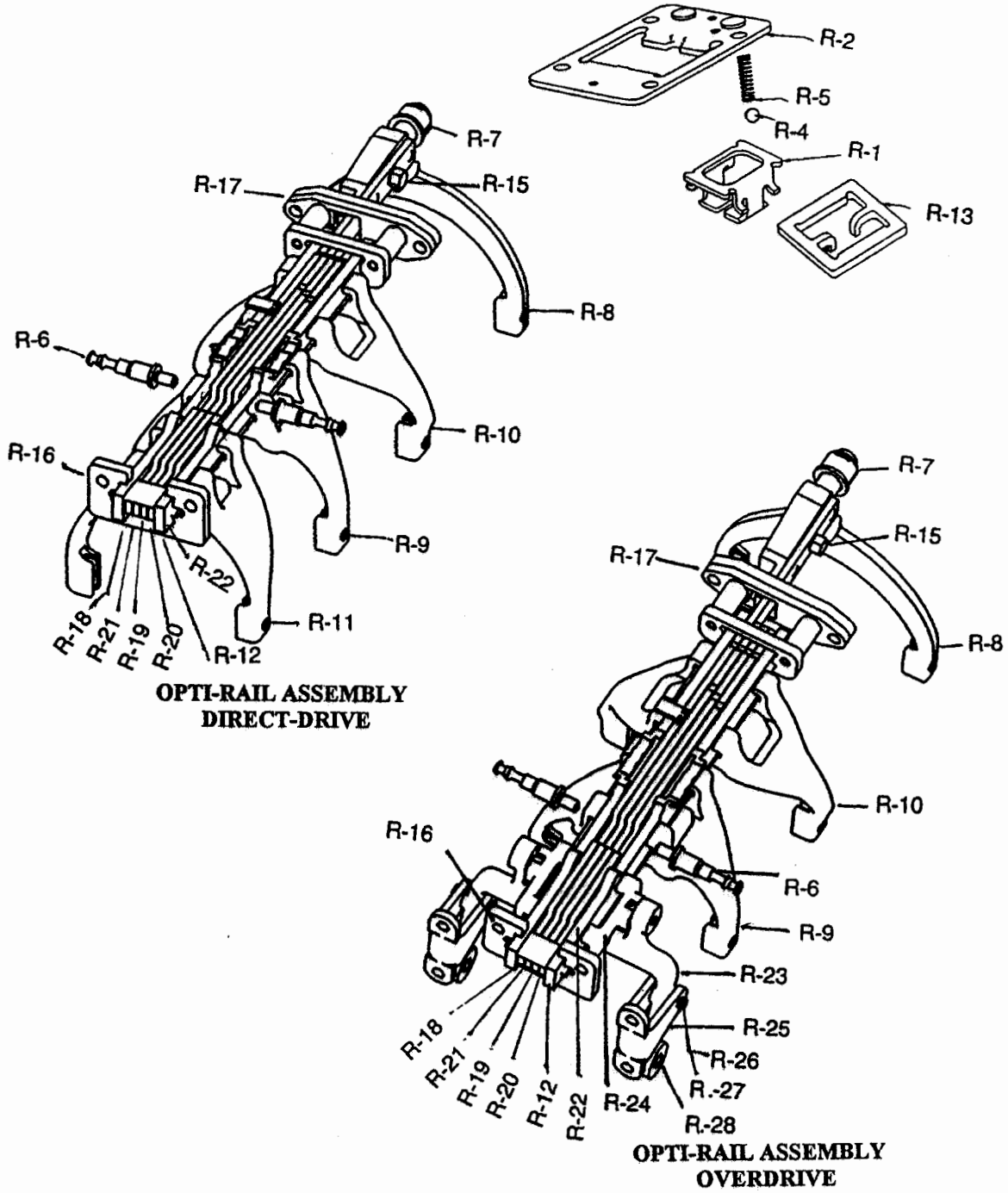
N.S. - Not Shown

N.S.S. - Not Sold Separately

A/R - As Required

ES56-7B/ESO66-7B SHIFT BAR and FORK ASSEMBLY

T210-ES56-7B



EASY SHIFT 7 SPEED MODELS SHIFT BAR and FORK ASSEMBLY

T210-ES56-7B

Ref. No.	Part No.	Description	Qty.
	101-69-14-1X	S/Assy – Opti-Rail Shift System (Direct Drive) (ES56-7B) (includes R-1 thru R-22)	1
R-1	101-12-1	Interlock	1
R-2	101-200-7	Plate - Interlock Retainer	1
G-2	101-487-1	Insert - Poppet	2
R-4	101-80-2	Ball - Poppet	2
R-5	101-72-11	Spring Poppet	2
R-6	101-438-15	Plunger - Side Detent Rail	1
R-7	101-477-10	Insert - Bar Support	1
R-8	101-66-15-1X	S/Assy - 1st/Rev Shift Fork & Clips	1
R-9	101-66-17X	S/Assy - 4th/5th Shift Fork & Clips	1
R-10	101-66-27X	S/Assy - 2nd/3rd Shift Fork & Clips	1
R-11	10-66-28X	S/Assy - 6th/7th Shift Fork & Clips	1
R-12	101-69-14X	S/Assy - Rail Channel	1
R-13	101-999-21	Cross Slide - Shift Rail	1
R-14	545002	Screw - Channel Front Support	2
R-15	545002-4	Screw - Channel Rear Support	1
R-16	101-477-5	Support - Front Shift Bar	1
R-17	101-477-7X	S/Assy - Holder Rear Bar Support	1
R-18	101-67-21X	Rail - 1st/Rev Weldment Shift	1
R-19	NSS	Rail - Shift 4th/5th	1
R-20	NSS	Rail - Shift 6th/7th	1
R-21	NSS	Rail - Shift 2nd/3rd	1
R-22	101-69-14X	Channel - Shift Fork w/Rails (includes R-16 thru R-22)	1
	101-69-14-2X	S/Assy - Opti-Rail Shift System (Overdrive) (ES066-7B) (includes R-1 thru R-10 & R-12 thru R-28)	1
R-23	101-66-18X	S/Assy - Shift Fork 6th/7th Overdrive	1
R-24	101-66-19	Fork - Hub Shift 6th/7th Overdrive	1
R-25	101-411-2	Mounting Bracket - Overdrive Shift Fork	2
R-26	101-438-2	Pin - Mounting Bracket	2
R-27	97-381-47	Ring - Snap Mounting Bracket Pin	2
R-28	101-486-4	Shoe - Shift Fork 6th/7th Overdrive	2
R-14	545002	Screw - Mounting Bracket	4
		Service Kits	
	101-411-2-2X	Kit - Shift Fork Mounting Bracket & Pin	1
R-25	NSS	Mounting Bracket Overdrive Shift Fork	2
R-26	NSS	Pin - Mounting Bracket	2
R-27	NSS	Ring - Snap Mounting Bracket	2
	101-486-1-1X	Kit - Clip Shift Fork	4
N.S.	101-486-1	Clip - Shift Fork	2
	101-486-4-1X	Kit - Shoe Shift Fork Overdrive	1
R-28	101-486-4	Shoe - Shift Fork Overdrive	2

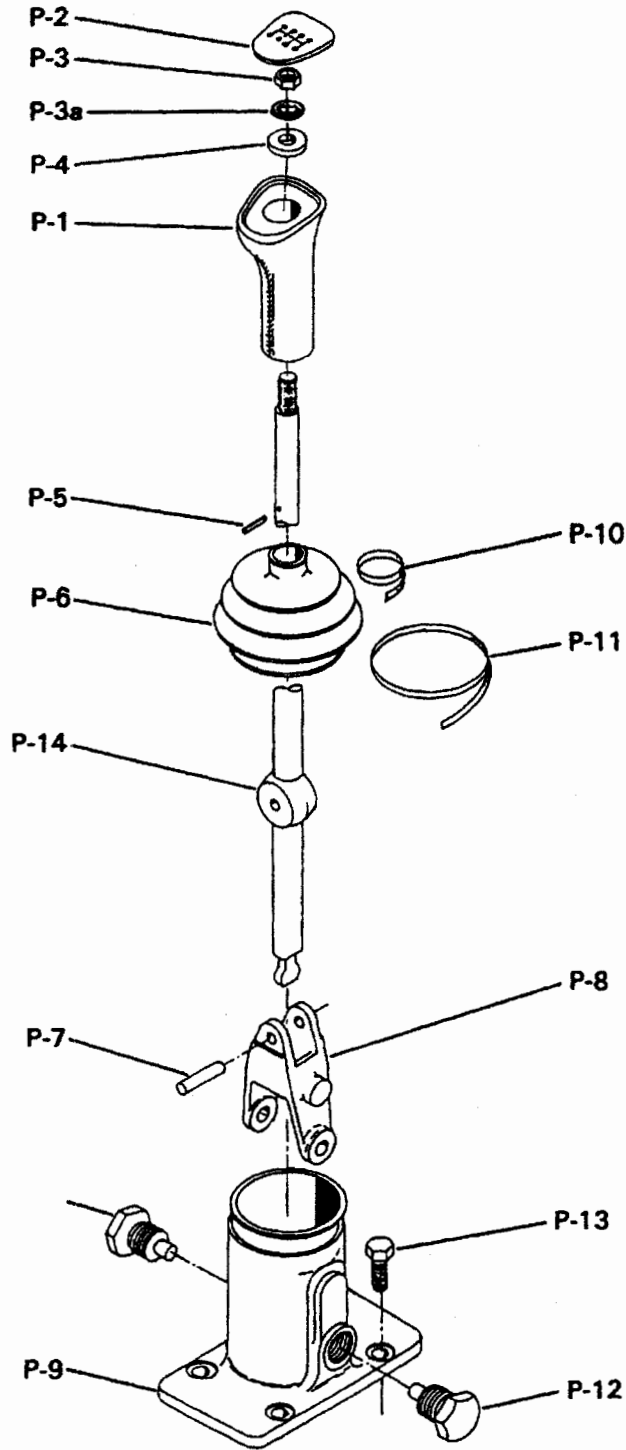
N.S. - Not Shown

N.S.S. - Not Sold Separately

ES56-7B/ESO66-7B

SHIFT LEVER and TOWER ASSEMBLY - GIMBAL

T210-ES56-7B



ES56-7B/ES066-7B

SHIFT LEVER and TOWER ASSEMBLY - GIMBAL

T210-ES56-7B

Ref. No.	Part No.	Description	Qty.
N.S.	See Chart Below	Shift Lever and Tower Assembly	1
	313768-2X	Sub-Assembly - Shift Knob (includes P-1 thru P-5)	1
P-1	39Q-35	Handle - Shift Lever	1
P-2	101-20-9	Insert - Shift Lever Handle (ES56-7B & ES066-7B)	1
P-2	49-20-1	Insert - Shift Lever Handle (ES43-5 & ES53-5)	1
P-3	500370-5	Nut Shift Knob Retaining	1
P-3a	500357-13	Washer - Shift Lever Retaining (lock type)	1
P-4	201-451-2	Washer - Shift Knob	1
P-5	201-438-8	Pin - Shift Knob	1
N.S.	101-17-2-10X	Sub-Assembly - Shift Tower (includes P-6 thru P-13)	1
P-6	101-483-2	Boot - Shift Tower and Lever	1
P-7	530-20	Pin - Pivot (Gimbal)	1
P-8	48Q-60	Yoke - Shift (Gimbal)	1
P-9	101-17-2	Tower - Shift (Gimbal)	1
P-10	330-15-1	Tie Cable - Upper	1
P-11	330-15-2	Tie Cable - Lower	1
P-12	313591X	Kit - Trunion Screws (includes (2) Trunion Screws)	1
P-13	545028	Screw - Shift Tower	4
N.S.	210-483-4	Boot - Floorboard (oval)	1
N.S.	210-483-5	Boot - Floorboard (rectangular)	1
	2851	Bulletin	
P-14	See Chart Below	Shift Lever	1

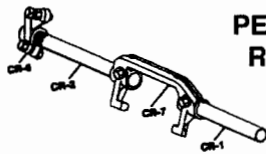
SHIFT LEVER AND TOWER ASSEMBLIES				
LVR. & TOWER ASSEMBLY (Includes P-1 thru P-12 & P-14)		SHIFT LEVER (P-14)		
SPICER#		SPICER #		OVERALL LENGTH
101-17-2-20X		250-2710		34.600"
101-17-2-22X		250-2712	Stub Lever Used with 313765X	9.100"
101-17-2-23X	313765X Coupling - Used with 101 -1 7-2-22X	250-2713	Lever Part of 313765X Coupling	25.000"
101-17-2-27X		250-2728		35.380"
101-17-2-28X		250-2594-10	Straight Lever	26.40"
101-17-2-29X		250-2594-11	Straight Lever	30.712"
101-17-2-30X		250-2594-12		35.419"

N.S.S. - Not Sold Separately

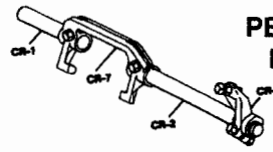
N.S. - Not Shown

MODEL ES56-7B CLUTCH RELEASE CODE TABLE

T210-ES56-7B



**PEDAL ADJUSTING ARM
RIGHT SIDE—310473X**



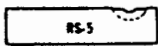
**PEDAL ADJUSTING ARM
LEFT SIDE—310233X**

CR-1 SHORT SHAFT

Part No.	Length
106C-1142	6.125"
106C-1185	5.750"
106C-1216	4.750"
106C-1278	4.812"
106C-1360	5.312"
106C-1375	6.781"
106C-1498	6.500"
330601-1	6.250"

CR-1 LONG SHAFT (Cont'd)

Part No.	Type	Length
106C-1083	RS-8	7.969"
106C-1094	RS-8	8.469"
106C-1123	RS-8	12.968"
106C-1315	RS-8	7.625"
106C-1367	RS-8	10.312"
106C-1375	RS-8	6.781"
106C-1417	RS-8	7.250"
106C-1422	RS-8	7.500"
106C-1490	RS-8	16.000"
106C-1515	RS-5	11.375"
106C-1529	RS-5	8.312"
330610-5	RS-8	9.469"
330610-11	RS-8	10.750"
46-510-9	RS-5	7.125"
330610-10	RS-8	9.500"



CR-2 LONG SHAFT

Part No.	Type	Length
106C-438	RS-5	14.000"
106C-617	RS-8	10.469"
106C-839	RS-8	11.469"
106C-939	RS-8	10.000"
106C-953	RS-8	9.750"
106C-959	RS-8	11.968"
106C-960	RS-8	8.719"
106C-1046	RS-8	8.968"
106C-1047	RS-8	9.469"

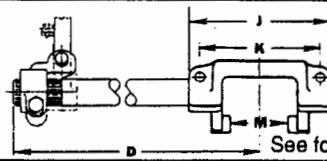
CR-6 PEDAL ADJ. ARM

310233X	For Left Side Mtg.
310473X	For Right Side Mtg.
47-526-1-1X*	Lever Type 7 1/4"
310873X*	Lever Type 7 1/4"

*Lever type can be used on either right or left side.

THRU SHAFT (used with push type clutch)

Part No.	Type	Length
106C-1566	Splined	19.125"
106C-1578	Splined	19.500"
49-510-1	Keyed	19.120"
97-510-2	Splined	19.313"



See following page for "D" dimensions.

CLUTCH RELEASE YOKES

CR-7	Forging No.	Used With	Type	J	K	M
105C-64	F105C64	Spicer 15 1/2" SP	Pull	8.000"	6.500"	4.895"
105C-68	F105C99	Spicer 14" SP	Pull	7.125"	5.750"	4.132"
105C-117 ¹	F105C118	Spicer & Others	Push	8.375"	7.000"	4.885"
105C-124■	F105C125	Spicer AL & AR	Push	3.750"	2.125"	2.885"
105C-132 ²	F105C118	Spicer & Others	Push	8.375"	7.000"	4.885"
105C-137	F105C138	Spicer 13" and	Pull	8.000"	6.500"	4.895"
	C105C138	14" 2P				
85-509-3 ³	F105C118	Spicer & Others	Push	8.375"	7.000"	4.885"

¹Machined washer surface on yoke front

²Machined washer surface on yoke rear (for clearance)

³Same as ¹ above except contains spring holes in lugs

■ Use 7743X Clutch Release Bearing and (2) 230C-12 Springs

★ CLUTCH RELEASE YOKE ATTACHING PARTS—

Use one KEY 10-30, two SCREWS 330231 and two LOCK WASHERS 500356-12

NOTE: When changing from a two plate to single plate clutch or vice versa, a different bearing cap will be required.

MODEL ES56-7B CLUTCH RELEASE CODE TABLE

T210-ES56-7B

Rel.Code See Tab Bill	CR-7 Yoke★	Shaft		Adjustable Arm	D Dim. (In.)	Rel. Code See Tab Bill	CR-7 Yoke★	Shaft		Adjustable Arm	D Dim. (In.)
		CR-1 Short	CR-2 Long					CR-1 Short	CR-2 Long		
1	105C-64	106C-1142	106C-1047	310233X	11.969	61	105C-137	106C-1185	106C-839	310233X	13.969
2	105C-64	106C-1185	106C-438	—	16.500	62	105C-137	106C-1185	106C-939	310233X	12.500
3	105C-64	106C-1185	106C-939	310233X	12.500	63	105C-137	106C-1185	106C-939	310473X	12.500
4	105C-64	106C-1185	106C-1046	310233X	11.468	64	105C-137	106C-1185	106C-953	310473X	12.250
5	105C-64	106C-1185	106C-1047	310233X	11.969	65	105C-137	106C-1185	106C-1046	310233X	11.468
6	105C-64	106C-1185	106C-1047	47-526-1-1X	11.969	66	105C-137	106C-1185	106C-1046	310473X	11.468
7	105C-64	106C-1544	106C-839	310233X	13.969	67	105C-137	106C-1185	106C-1047	310233X	11.969
8	105C-68	106C-1142	106C-438	—	16.125	68	105C-137	106C-1185	106C-1083	310233X	10.469
9	105C-68	106C-1142	106C-617	—	12.594	69	105C-137	106C-1185	106C-1094	—	10.969
10	105C-68	106C-1142	106C-617	310233X	12.594	70	105C-137	106C-1185	106C-1094	310233X	10.969
11	105C-68	106C-1142	106C-839	310233X	13.594	71	105C-137	106C-1185	106C-1123	—	15.468
12	105C-68	106C-1142	106C-939	310233X	12.125	72	105C-137	106C-1185	106C-1123	310233X	15.468
13	105C-68	106C-1142	106C-1046	310233X	11.093	73	105C-137	106C-1185	106C-1367	—	12.812
14	105C-68	106C-1142	106C-1047	310233X	11.594	74	105C-137	106C-1185	106C-1367	310233X	12.812
15	105C-68	106C-1278	106C-438	—	16.125	75	105C-137	106C-1185	106C-1375	310873X	9.281
15A	105C-68	106C-1278	106C-939	310473X	12.125	76	105C-137	106C-1185	106C-1515	—	13.875
15B	105C-68	106C-1278	106C-939	310233X	12.125	77	105C-137	106C-1185	106C-1529	—	10.812
18	105C-117	106C-1142	106C-939	310233X	12.750	78	105C-137	106C-1185	330610-5	—	11.969
19	105C-117	106C-1185	106C-438	—	16.750	78A	105C-137	106C-1185	46-510-9	—	9.625
20	105C-117	106C-1185	106C-617	310233X	13.219	79	105C-137	106C-1216	106C-617	310233X	12.969
21	105C-117	106C-1185	106C-839	47-526-1-1X	14.219	80	105C-137	106C-1278	106C-438	—	16.500
22	105C-117	106C-1185	106C-939	310233X	12.750	83	105C-137	106C-1278	106C-617	310233X	12.969
23	105C-117	106C-1185	106C-953	310873X	12.500	84	105C-137	106C-1278	106C-939	310233X	12.500
24	105C-117	106C-1185	106C-960	310233X	11.469	84A	105C-137	106C-1278	106C-939	310473X	12.500
25	105C-117	106C-1185	106C-1046	310233X	11.718	85	105C-137	106C-1278	106C-939	310873X	12.500
26	105C-117	106C-1185	106C-1047	310233X	12.219	86	105C-137	106C-1278	106C-960	310233X	11.219
27	105C-117	106C-1185	106C-1083	—	10.719	87	105C-137	106C-1278	106C-1046	—	11.468
28	105C-117	106C-1185	106C-1083	310233X	10.719	88	105C-137	106C-1278	106C-1046	310233X	11.468
29	105C-117	106C-1185	106C-1083	310473X	10.719	89	105C-137	106C-1278	106C-1047	—	11.969
30	105C-117	106C-1185	106C-1094	310233X	11.219	90	105C-137	106C-1278	106C-1047	310233X	11.969
31	105C-117	106C-1185	106C-1094	310873X	11.219	91	105C-137	106C-1278	106C-1083	310233X	10.469
32	105C-117	106C-1185	106C-1169	310233X	11.875	91A	105C-137	106C-1278	106C-1083	310473X	10.469
33	105C-117	106C-1185	106C-1315	—	10.375	92	105C-137	106C-1278	106C-1094	310233X	10.969
34	105C-117	106C-1185	106C-1315	310233X	10.375	92A	105C-137	106C-1278	106C-1315	310233X	10.125
35	105C-117	106C-1185	106C-1315	47-526-1-1X	10.375	93	105C-137	106C-1278	106C-1375	310233X	9.281
35A	105C-117	106C-1185	106C-1375	310873X	9.531	94	105C-137	106C-1278	106C-1422	310233X	10.000
36	105C-117	106C-1185	106C-1417	310233X	10.000	95	105C-137	106C-1278	106C-1529	—	10.812
37	105C-117	106C-1185	106C-1417	310873X	10.000	96	105C-137	106C-1360	106C-1083	—	10.469
38	105C-117	106C-1185	106C-1490	310233X	18.750	96A	105C-137	106C-1360	106C-1417	310233X	9.750
39	105C-117	106C-1278	106C-939	310233X	12.750	97	105C-137	106C-1360	106C-1422	310233X	10.000
40	105C-117	106C-1278	106C-960	310873X	11.469	98	105C-137	106C-1375	106C-438	310233X	16.500
41	105C-117	106C-1278	106C-1047	310233X	12.219	99	105C-137	106C-1498	106C-438	—	16.500
42	105C-117	106C-1278	106C-1094	310233X	11.219	100	105C-137	106C-1498	106C-617	310233X	12.969
43	105C-117	106C-1278	106C-1315	310233X	10.375	101	105C-137	106C-1498	106C-617	310473X	12.969
44	105C-117	106C-1278	106C-1367	310233X	13.062	102	105C-137	106C-1498	106C-939	310233X	12.500
45	105C-117	106C-1360	106C-1083	310233X	10.719	103	105C-137	106C-1498	106C-939	310473X	12.500
46	105C-117	106C-1360	106C-1315	310233X	10.375	104	105C-137	106C-1498	106C-953	310233X	12.250
46A	105C-117	106C-1360	330610-10	—	12.250	105	105C-137	106C-1498	106C-959	310233X	14.468
49	105C-124	106C-1185	106C-438	—	14.313	106	105C-137	106C-1498	106C-1046	310233X	11.468
50	105C-124	Thru Shaft	106C-1566	310233X	—	107	105C-137	106C-1498	106C-1047	—	11.969
51	105C-124	Thru Shaft	106C-1566	310473X	—	108	105C-137	106C-1498	106C-1047	310233X	11.969
52	105C-124	Thru Shaft	106C-1566	310873X	—	109	105C-137	106C-1498	106C-1083	310233X	10.469
52A	105C-124	Thru Shaft	49-510-1	310233X	—	110	105C-137	106C-1498	106C-1094	—	10.969
53	105C-132	106C-1185	106C-1047	310233X	9.782	112	105C-137	330601-1	106C-939	310233X	12.500
54	105C-132	106C-1185	106C-1083	310233X	8.282	112A	85-509-3	106C-1278	106C-939	310233X	12.750
55	105C-132	106C-1185	106C-1417	310873X	7.563	113	85-509-3	106C-1360	106C-1417	310233X	10.000
56	105C-132	106C-1185	49-510-9	—	7.438	114	85-509-3	Thru Shaft	106C-1578	310233X	—
57	105C-132	106C-1278	46-510-9	—	7.438	114A	85-509-3	Thru Shaft	106C-1578	310473X	—
59	105C-137	106C-1185	106C-438	—	16.500	115	85-509-3	Thru Shaft	106C-1578	310873X	—
60	105C-137	106C-1185	106C-617	310233X	12.969	116	312916	Thru Shaft	97-510-2	—	—

■ Use 7743X Clutch Release Bearing and (2) 230C-12 Springs

ES56-7B/ES066-7B

SERVICE PARTS OVERHAUL KITS

T210-ES56-7B

Part No.	Description	Qty.
	Major Overhaul Kit	
101-400-3X	Major Overhaul Kit	1
101-432-1X	Minor Overhaul Kit	1
313401-33X	Thrust Washer Kit	1
56-429-2X	Repair Shifting Parts Kit	1
501200	Nut - Mainshaft Rear	1
53-205-1	Washer - Nut Mainshaft Rear	1
	Minor Overhaul Kit (included in major overhaul kit)	
101-432-1X	Bearing - Countershaft Intermediate Front	1
551007	Bearing - Mainshaft Pocket	1
56-482-1	Bearing - Drive Gear/Mainshaft Intermediate	2
101-482-1	Bearing - Mainshaft Rear	1
550989	Bearing - Mainshaft 6th Gear Needle	2
551003	Bearing - Mainshaft 5th Gear Needle	2
551004	Bearing - Mainshaft 4th Gear Needle	1
551005	Bearing - Mainshaft 4th Gear Needle	1
551006	Bearing - Reverse Idler Gear Roller Assembly	2
550886	Bearing - Reverse, 1st, 2nd 3rd Mainshaft Needle	4
550991	Bearing - Taper Cone (countershaft)	2
550868	Bearing - Taper Cup (countershaft)	2
550978	Seal - Oil Drive Gear Bearing Cap (incl. installation tools)	1
60-463-10-1X	Seal - Oil Mainshaft Rear Bearing Cap	1
63-463-1	#2 Moly Grease (packet)	1
545077	Clip - Shift Fork	4
101-486-1-1X	Shoe - Shift Fork (overdrive)	1
101-486-4-1X	Adhesive for Mainshaft Nut (.5 cc vial)	1
545080-1	Gasket Kit	1
312475-46X	Shim Kit - Countershaft Rear	1
313438-3X	Snap Ring Kit	1
313024-28X		
	Thrust Washer Kit (included in major overhaul kit)	
313401-33X	Washer - Thrust Reverse Idler Gear	2
974-W	Washer - Thrust Reverse Mainshaft Gear	1
101-47-4	Washer - Low Speed Thrust	1
101-47-5	Washer - Thrust 2nd Mainshaft Gear	1
101-47-6	Washer - Thrust 5th & 6th Mainshaft Gear	1
101-47-1	Ball - Mainshaft Thrust Washer	3
500566-5	Washer 1st, 3rd & 4th Mainshaft Gear	2
101-47-2	Bulletin	1
2848		

**ES56-7B/ES066-7B
SERVICE PARTS OVERHAUL KITS**

T210-ES56-7B

Part No.	Description	Qty.
56-429-3X	Shifter Parts Repair Kit	
101-12-1	(P) Interlock Plate	1
101-438-15	Plunger Pin	2
101-487-1	(C) Insert-Poppet Spring and Ball	2
101-72-10	(A) Spring-Poppet	2
101-72-5	Spring-Plunger 5th/6th	1
101-72-6-2X	Kit Low Reverse Plunger Spring	1
101-80-2	(C) Ball-Poppet	2
101-999-21	Cross Slide - Shift Rail	1
38P-5	Plunger Cap	2
545091	(B) Screw-Drive	2
312475-46X	Gasket Kit (included in major and minor overhaul kit)	1
101-118-2	Gasket - Interlock Plate to Tower Assembly	1
101-118-1	Gasket - Case to Interlock Plate/Tower Assembly	1
40-223-5	Gasket - Mainshaft Rear Bearing Cap (DCM brake cap)	1
40-223-4	Gasket - Mainshaft Rear Bearing Cap (air brake cap)	1
545056-10	Anaerobic Sealant - 24 cc Tube	1
2824	Bulletin - Anaerobic Sealant Application	1
313438-3X	Shim Kit (included in major and minor overhaul kit)	1
49-228-1-1	Shim - Countershaft Rear Bearing (.005")	2
49-228-1-2	Shim - Countershaft Rear Bearing (.010")	2
49-228-1-3	Shim - Countershaft Rear Bearing (.015")	2
2793	Bulletin - Countershaft Shim Instructions	1
313024-28X	Snap Ring Kit (included in major and minor overhaul kit)	1
82-381-2	Ring - Snap Drive Gear	2
40-381-3	Ring - Snap Countershaft Drive Gear	1
101-381-4	Ring - Snap 1st Speed Thrust Washer	1
40-381-4	Ring - Snap 4th and 5th Mainshaft Clutch Gear	1
101-381-1	Ring - Snap 5th and 6th Mainshaft Gear	1
40-381-1	Ring - Snap 6th and 7th Clutch Gear	1
27-381-5	Ring - Snap 6th Countershaft Gear	1
101-381-2	Ring - 1st Mainshaft Rear/3rd & 4th Mainshaft Front	2
2848	Bulletin	1

MODEL ES56-7B/ES066-7B

TABULATED BILLS OF MATERIAL

T210-ES56-7B

Tab No.	Used By	For Use With Clutch	CLUTCH HOUSING			Main Drive Gear A-1	Drive Gear Bearing Cap F-1	Case Assembly Front G-1
			S A E	Assembly No. E-1	Rel. Code Pages			
Model ES56-7B								
301739								
-1	Navistar	Pull Type	2	101-518-7-1X	—	56-35-4-1X	101-19-2-1X	101-15-6-1X
-2	Navistar	Push Type	2	101-518-7-1X	—	56-35-6-1X	101-19-6-1X	101-15-6-1X
-3	Navistar	Push Type	2	101-518-7-1X	—	56-35-6-1X	101-19-6-1X	101-15-6-1X
-4	Navistar	Pull Type	2	101-518-7-1X	—	56-35-4-1X	101-19-2-1X	101-15-6-1X
-5								
-6								
-7								
-8								
-9								
-10								
-11								
-12								
-13								
-14								
-15	GMC	Pull Type	2	101-518-7-1X	—	56-35-3-1X	101-19-2-1X	101-15-6-1X
-16	GMC	Pull Type	2	101-518-7-1X	—	56-35-3-1X	101-19-2-1X	101-15-6-1X
-17	GMC	Pull Type	2	101-518-7-1X	—	56-35-3-1X	101-19-2-1X	101-15-6-1X
-18	GMC	Pull Type	2	101-518-7-1X	—	56-35-3-1X	101-19-2-1X	101-15-6-1X
-19								
-20								
-21								
-22								
-23	Ford	Pull Type	2	101-518-7-1X	—	56-35-4-1X	101-19-2-1X	101-15-6-1X
-24								
-25								
-26	Navistar	Pull Type	2	101-518-7-1X	—	56-35-4-1X	101-19-2-1X	101-15-6-1X
-27	Navistar	Push Type	2	101-518-7-1X	—	56-35-6-1X	101-19-6-1X	101-15-6-1X
-28								
-29								
-30	GMC	Pull Type	2	101-518-7-1X	—	56-35-3-1X	101-19-2-1X	101-15-6-1X
-31								
-32								

MODEL ES56-7B/ES066-7B TABULATED BILLS OF MATERIAL

T210-ES56-7B

Tab No.	Case Assembly Rear RG-1	Mainshaft Rear Brg. Cap Assembly RH-1	Speedometer		End Yoke or Companion Flange	Lever and Tower Control Assembly	Remote Control Assy
			Drive Gear or Signal Gear RB-13	Driven Gear			
Model ES56-7B							
301739							
-1	101-15-5-1X	40-19-43-2X	53-452-5	—	—	—	—
-2	101-15-5-1X	40-19-43-2X	53-452-5	—	—	—	—
-3	101-15-5-1X	40-19-41-2X	53-452-5	—	—	—	—
-4	101-15-5-1X	40-19-41-2X	53-452-5	—	—	—	—
-5							
-6							
-7							
-8							
-9							
-10							
-11							
-12							
-13							
-14							
-15	101-15-7-1X	101-19-9-1X	53-452-5	—	5-4-6321-1	101-17-2-84X	—
-16	101-15-7-1X	101-19-8-1X	53-452-5	—	5-1-6471X	101-17-2-84X	—
-17	101-15-7-1X	101-19-8-1X	53-452-5	—	140-2-69-1/6-1-5851X	101-17-2-96X	—
-18	101-15-7-1X	101-19-9-1X	53-452-5	—	140-4-1131-1	101-17-2-96X	—
19							
-20							
-21							
-22							
-23	101-15-5-1X	101-19-9-1X	53-452-5	—	6-4-7301-1	—	—
-24							
-25							
-26	101-15-5-1X	201-37-7	—	—	—	—	—
-27	101-15-5-1X	201-37-7	—	—	—	—	—
-28							
-29							
-30	101-15-7-1X	201-37-7	—	—	—	—	—
-31							
-32							

MODEL ES56-7B/ES066-7B TABULATED BILLS OF MATERIAL

T210-ES56-7B

Tab No.	Used By	For Use With Clutch	CLUTCH HOUSING			Main Drive Gear A-1	Drive Gear Bearing Cap F-1	Case Assembly Front G-1
			S A E	Assembly No. E-1	Rel. Code Pages			
Model ES066-7B								
301742								
-1	Ford	Pull Type	2	101-518-7-1X	—	101-35-26-1X	101-19-2-1X	101-15-6-1X
-2	Ford	Pull Type	2	101-518-7-1X	—	101-35-26-1X	101-19-2-1X	101-15-6-1X
-3								
-4								
-5	TTC Australia	Pull Type	2	101-518-7-1X	—	101-35-26-1X	101-19-2-1X	101-15-6-1X
-6								
-7								
-8								
-9								
-10								
-11								
-12								
-13								
-14								
-15								
-16								
-17								
-18								
-19								
-20	GMC	Pull Type	2	101-518-7-1X	—	101-35-19-1X	101-19-2-1X	101-15-6-1X
-21	GMC	Pull Type	2	101-518-7-1X	—	101-35-19-1X	101-19-2-1X	101-15-6-1X
-22	GMC	Pull Type	2	101-518-7-1X	—	101-35-19-1X	101-19-2-1X	101-15-6-1X
-23	GMC	Pull Type	2	101-518-7-1X	—	101-35-19-1X	101-19-2-1X	101-15-6-1X
-24								
-25								
-26								
-27								
-28	GMC	Pull Type	2	101-518-7-1X	—	101-35-19-1X	101-19-2-1X	101-15-6-1X
-29	GMC	Pull Type	2	101-518-7-1X	—	101-35-19-1X	101-19-2-1X	101-15-6-1X
-30	GMC	Pull Type	2	101-518-7-1X	—	101-35-19-1X	101-19-2-1X	101-15-6-1X
-31	GMC	Pull Type	2	101-518-7-1X	—	101-35-19-1X	101-19-2-1X	101-15-6-1X
-32	GMC	Pull Type	2	101-518-7-1X	—	101-35-19-1X	101-19-2-1X	101-15-6-1X

MODEL ES56-7B/ES066-7B TABULATED BILLS OF MATERIAL

T210-ES56-7B

Tab No.	Case Assembly Rear RG-1	Mainshaft Rear Brg. Cap Assembly RH-1	Speedometer		End Yoke or Companion Flange	Lever and Tower Control Assembly	Remote Control Assy
			Drive Gear or Signal Gear RB-13	Driven Gear			
Model ES066-7B							
301742							
-1	101-15-5-1X	101-19-9-1X	53-452-5	—	—	—	—
-2	101-15-5-1X	101-19-8-1X	53-452-5	—	—	—	—
-3							
-4							
-5	101-15-5-1X	101-19-43-2X	53-452-5	—	5-4-6321-1	—	40-18-1-2X
-6							
-7							
-8							
-9							
-10							
-11							
-12							
-13							
-14							
-15							
-16							
-17							
-18							
-19							
-20	101-15-7-1X	101-19-8-1X	53-452-5	—	140-2-69-1/6-1-5851X	101-17-2-96X	—
-21	101-15-7-1X	101-19-9-1X	53-452-5	—	100-4-1001-1	101-17-2-96X	—
-22	101-15-7-1X	101-19-8-1X	53-452-5	—	100-2-169-1/6-1-5851X	101-17-2-96X	—
-23	101-15-7-1X	101-19-9-1X	53-452-5	—	140-4-2131-1	101-17-2-96X	—
-24							
-25							
-26							
-27							
-28	101-15-7-1X	101-19-9-1X	53-452-5	—	5-4-6321-1	101-17-2-84X	—
-29	101-15-7-1X	101-19-8-1X	53-452-5	—	5-1-6471X	101-17-2-84X	—
-30	101-15-7-1X	201-37-7	—	—	—	—	—
-31	101-15-7-1X	101-19-9-1X	53-452-5	—	6-4-7301-1	101-17-2-84X	—
-32	101-15-7-1X	101-19-8-1X	53-452-5	—	6-1-5851X	101-17-2-84X	—



14700 Helm Court
Plymouth, MI 48170
(800) 401-9866 or (734) 456-3770
Fax: (734) 456-3739
www.ttcautomotive.com

