



ES52-7B & ES066-7B

Parts Catalog

Bulletin No. T210-ES52-7B

January 1999



MODEL ES52-7B/ESO66-7B

CONTENTS, RATIO TABLE and IDENTIFICATION

T210-ES52-7B

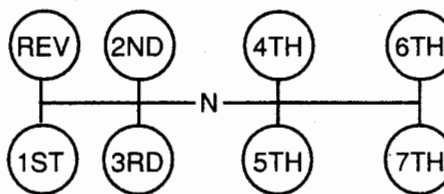
CONTENTS

RATIO TABLE & IDENTIFICATION.....	1
GEARS AND RELATED PARTS	2-9
DRIVE GEAR GROUP.....	2-3
DRIVE GEAR TABLE	3
MAINSHAFT GROUP - FRONT	4-5
MAINSHAFT GROUP - REAR	6-7
END YOKE TABLE	7
COUNTERSHAFT GROUP - FRONT	8-9
COUNTERSHAFT GROUP - REAR	8-9
REVERSE IDLER - GROUP.....	8-9
CLUTCH HOUSING GROUP.....	10-11
DRIVE GEAR BEARING CAP GROUP.....	10-11
CASE GROUP - FRONT	12-13
CASE GROUP - REAR.....	14-15
MAINSHAFT REAR BEARING CAP GROUP	14-15
COUNTERSHAFT REAR BEARING CAP GROUP	14-15
SHIFT BAR AND FORK ASSEMBLIES.....	16-17
SHIFT LEVER AND TOWER ASSEMBLIES	18-19
OVERHAUL KITS—MAJOR AND MINOR	20-21
TABULATED BILLS OF MATERIALS.....	22-25
BACK-TAPER CHANGEOVER KITS	26

RATIO TABLE

SPEEDS	MODELS	
	ES52-7B	ESO66-7B
1st	10.09	7.48
2nd	5.98	4.43
3rd	3.72	2.76
4th	2.56	1.90
5th	1.81	1.34
6th	1.35	1.00
7th	1.00	.74
Rev.	8.99	6.66

SHIFT PATTERN



IDENTIFICATION

The Name Plate (NP-196) affixed to the LOWER REAR RIGHT side of the Transmission Case is stamped with the information shown below.

SERIAL

B/M No. MODEL

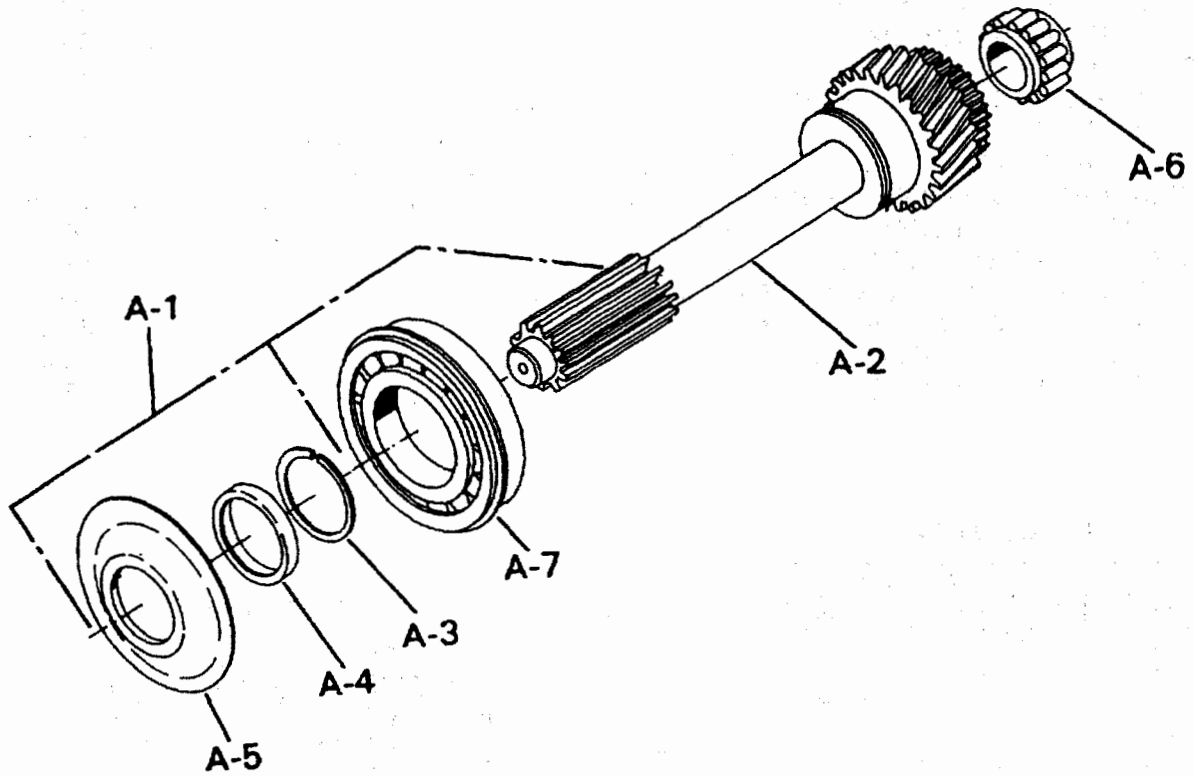
Abbreviations used in this parts list include:

- N.S. — Not Shown
- N.S.S. — Not Sold Separately
- N.R. — Not Required
- A.R. — As Required

In requesting more information on the Transmission, please furnish the information shown.

ES52-7B/ESO66-7B GEARS and RELATED PARTS

T210-ES52-7B

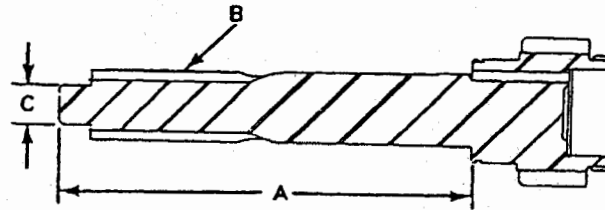


EASY SHIFT 7 SPEED MODELS

GEARS and RELATED PARTS

T210-ES52-7B

Ref. No.	Part No.	Description	Qty.
Drive Gear Group			
A-1	See Tab Bills	Drive Gear - Sub-Assembly (includes A-2 thru A-5)	1
A-2	N.S.S.	Drive Gear (see table below)	1
A-3	82-381-2	Snap Ring	1
A-4	101-468-2	Oil Ring	1
A-5	101-468-1	Baffle - Oil	1
A-6	550986	Bearing - Mainshaft Pocket	1
A-7	101-482-1	Bearing - Drive Gear	1



DRIVE GEAR TABLE

Teeth	A Input Shaft Length	B Spline Dia. & No. of Teeth	C Pilot Size	Drive Gear Sub-Assembly (Includes 49-468-2)
25T	9.89"	1.750"-10 spline	.9837"	101-35-4-1X**
25T	9.89"	1.750"-10 spline	.9837"	101-35-7-1X**
25T	9.89"	1.500"-10 spline	.9837"	101-35-8-1X**
25T	9.89"	1.500"-10 spline	.9837"	101-35-10-1X**
25T	9.89"	1.750"-10 spline	1.180"	101-35-14-1X**
25T	9.89"	1.500"-10 spline	1.180"	101-35-15-1X**
25T	9.89"	1.750"-10 spline	1.180"	101-35-16-1X**
25T	9.89"	1.500"-10 spline	1.180"	101-35-17-1X**
25T	9.89"	1.750"-10 spline	.9837"	101-35-19-1X*
25T	9.89"	1.750"-10 spline	.9837"	101-35-21-1X*
25T	9.89"	1.500"-10 spline	.9837"	101-35-22-1X*
25T	9.89"	1.500"-10 spline	.9837"	101-35-23-1X*
25T	9.89"	1.750"-10 spline	1.180"	101-35-24-1X*
25T	9.89"	1.500"-10 spline	1.180"	101-35-25-1X*
25T	9.89"	1.750"-10 spline	1.180"	101-35-26-1X*
25T	9.89"	1.500"-10 spline	1.180"	101-35-27-1X*

*-Back-Tapered Clutching Teeth Version (After Serial No. J960601000)

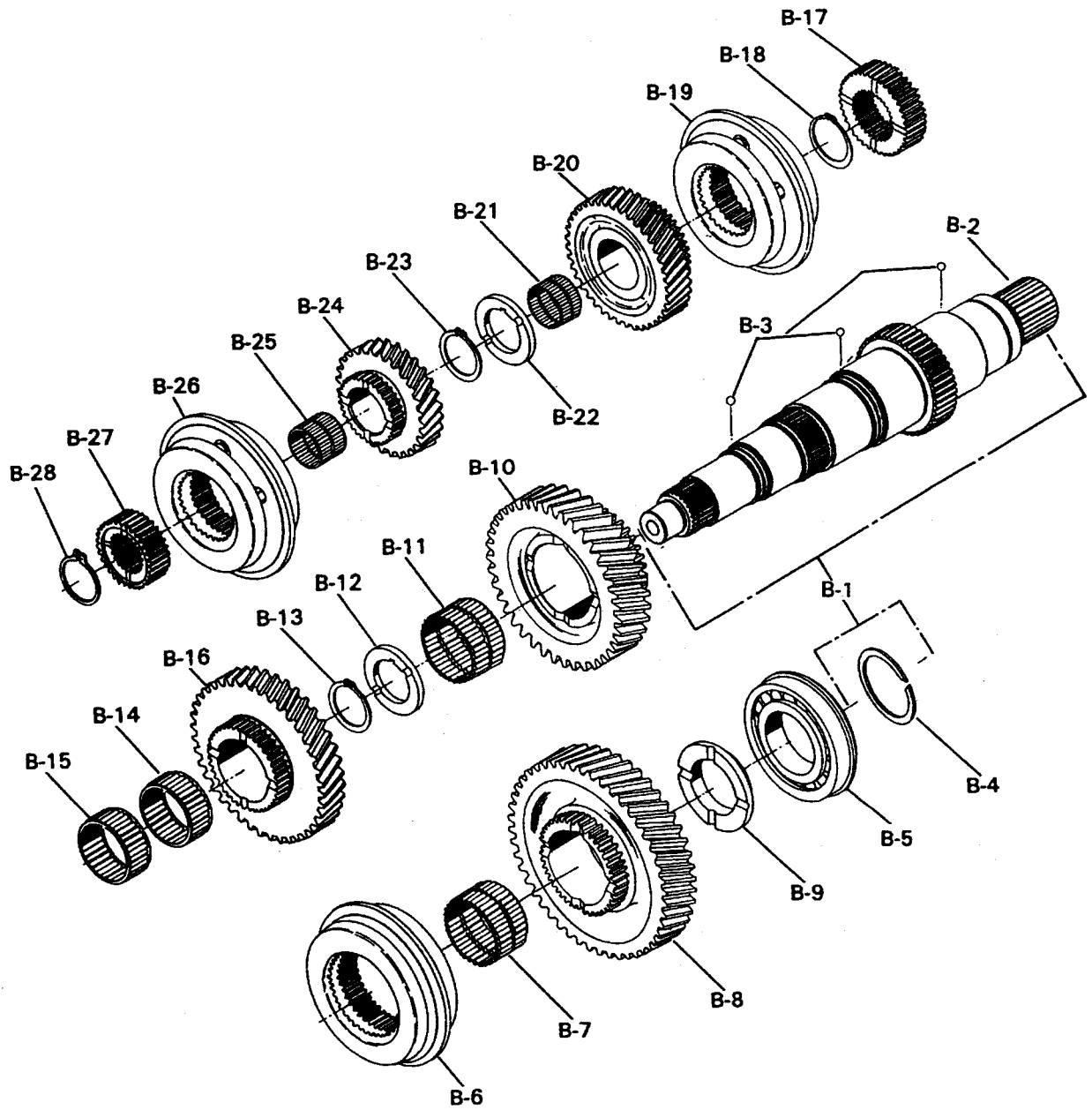
** - Straight Clutching Teeth Version (Before Serial No. J960601000)

N.S.S. - Not Sold Separately

◀◀◀◀◀◀◀◀ **IMPORTANT**

ES52-7B/ESO66-7B GEARS and RELATED PARTS

T210-ES52-7B



EASY SHIFT 7 SPEED MODELS

GEARS and RELATED PARTS

T210-ES52-7B

Ref. No.	Part No.	Description	Qty.
Mainshaft Group - Front			
B-1	101-362-7-1X	Mainshaft Sub-Assembly (includes B-2 thru B-4)*	1
or	101-362-6-1X	Mainshaft Sub-Assembly (includes B-2 thru B-4)**	1
B-2	N.S.S.	Mainshaft - Front (part marked as 101-362-7* or 101-362-6**)	1
B-3	500566-5	Ball - Mainshaft Thrust Washer	3
B-4	82-381-2	Snap Ring - Countershaft Drive Gear	1
B-5	101-482-1	Bearing - Intermediate Shaft	1
B-6	101-464-3X	Synchronizer - 2nd & 3rd Mainshaft*	1
or	313777X	Synchronizer - 2nd & 3rd Mainshaft**	1
B-7	550991	Bearing - 2nd Speed Needle	1
B-8	101-8-26	Gear - 2nd Speed Mainshaft (35T)*	1
or	101-8-12	Gear - 2nd Speed Mainshaft (35T)**	1
B-9	101-47-6	Washer - 2nd Speed Thrust	1
B-10	101-8-28	Gear - 3rd Speed Mainshaft (29T)*	1
or	101-8-10	Gear - 3rd Speed Mainshaft (29T)**	1
B-11	550991	Bearing - 3rd Speed Needle	1
B-12	101-47-2	Washer - 3rd & 4th Speed Thrust	1
B-13	101-381-2	Snap Ring - 3rd & 4th Speed Thrust Washer	1
B-14	551005	Bearing - 4th Speed Needle	1
B-15	551006	Bearing - 4th Speed Needle	1
B-16	101-8-25	Gear - 4th Speed Mainshaft (30T)*	1
or	101-8-8	Gear - 4th Speed Mainshaft (30T)**	1
B-17	101-466-7	Gear - 4th & 5th Mainshaft Clutch*	1
or	101-466-4	Gear - 4th & 5th Mainshaft Clutch**	1
B-18	40-381-4	Snap Ring - 4th & 5th Clutch Gear	1
B-19	101-464-2X	Synchronizer - 4th & 5th Mainshaft*	1
or	313776X	Synchronizer - 4th & 5th Mainshaft**	1
B-20	101-8-24	Gear - 5th Speed Mainshaft (30T)*	1
or	101-8-6	Gear - 5th Speed Mainshaft (30T)**	1
B-21	551004	Bearing - 5th Speed Needle	2
B-22	101-47-1	Washer - 5th & 6th Speed Thrust	1
B-23	101-381-1	Snap Ring - 5th & 6th Speed Thrust Washer	1
B-24	101-8-23	Gear - 6th Speed Mainshaft ES52-7B (25T)*	1
or	101-8-2	Gear - 6th Speed Mainshaft ES52-7B (25T)**	1
or	101-8-22	Gear - 7th Speed Mainshaft ESO66-7B (22T)*	1
or	101-8-21	Gear - 7th Speed Mainshaft ESO66-7B (22T)**	1
B-25	551003	Bearing - 6th Speed Needle	2
B-26	101-464-1X	Synchronizer - 6th & 7th Mainshaft*	1
or	313775X	Synchronizer - 6th & 7th Mainshaft**	1
B-27	49-466-4	Gear - 6th & 7th Mainshaft Clutch*	1
or	101-466-2	Gear - 6th & 7th Mainshaft Clutch**	1
B-28	40-381-1	Snap Ring - 6th & 7th Clutch Gear	1

*-Back-Tapered Clutching Teeth Version (After Serial No. J960601000)

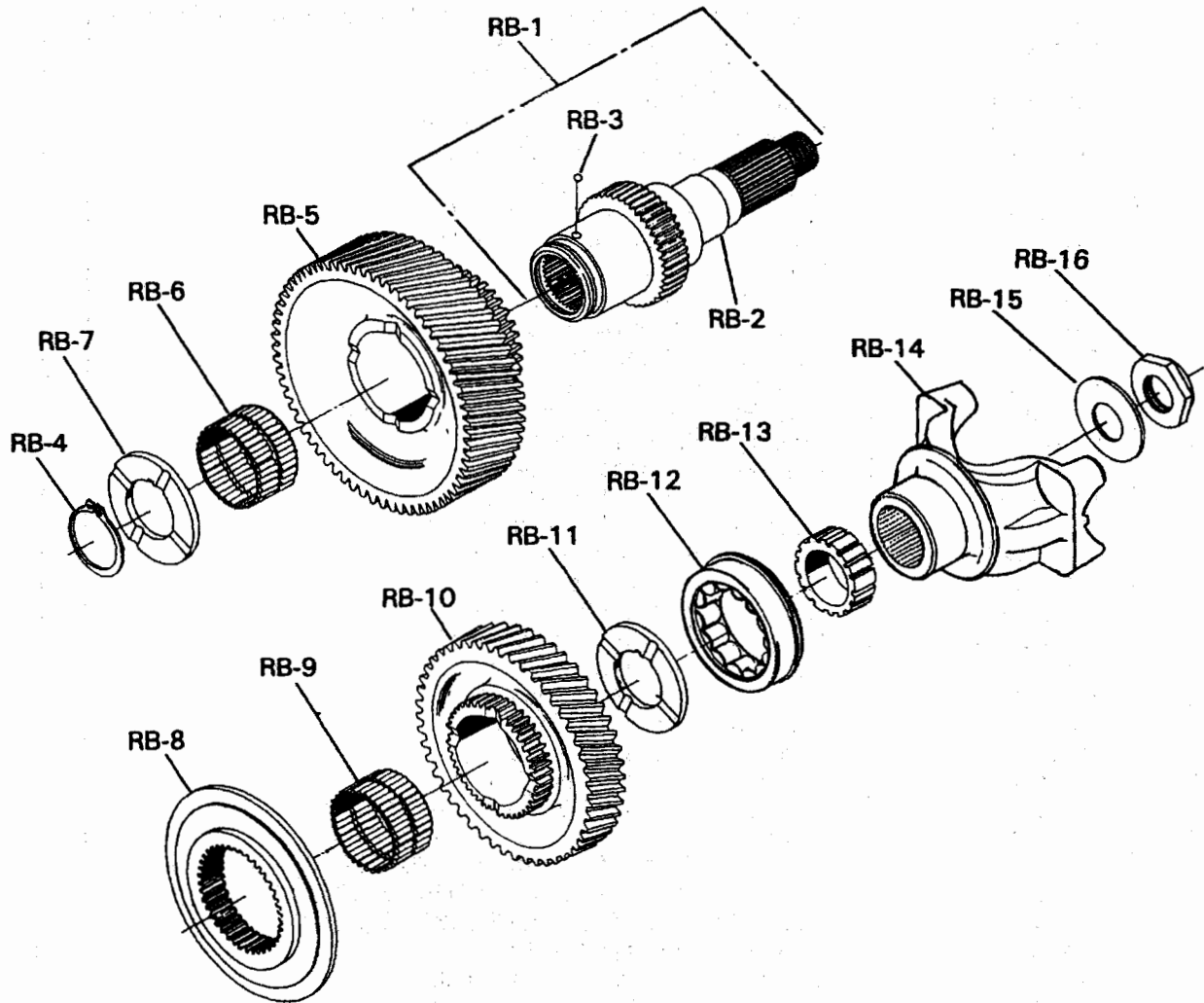
** - Straight Clutching Teeth Version (Before Serial No. J960601000)

N.S.S. - Not Sold Separately

◀◀◀◀ ◀◀◀◀ ◀◀◀◀ ◀◀◀◀ **IMPORTANT**

ES52-7B/ESO66-7B GEARS and RELATED PARTS

T210-ES52-7B



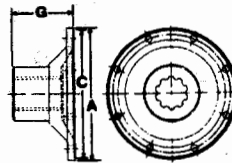
ES52-7B/ESO66-7B

GEARS and RELATED PARTS

T210-ES52-7B

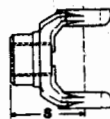
Ref. No.	Part No.	Description	Qty.
Mainshaft Group - Rear			
RB-1	101-362-5-1X	Mainshaft Sub-Assy. (includes RB-2, RB-3, 101-381-4 & 101-47-5)	1
RB-2	N.S.S.	Mainshaft Rear (part marked as 101-362-5)	1
RB-3	500566-5	Ball - Thrust Washer	1
RB-4	101-381-4	Ring - Snap 1st Speed Thrust Washer	1
RB-5	101-8-14	Gear - 1st Speed Mainshaft Gear (64T)	1
RB-6	550991	Bearing - 1st Speed Needle	1
RB-7	101-47-5	Washer - 1st Speed Thrust	1
RB-8	101-465-7	Collar - 1st and Reverse Clutch	1
RB-9	550991	Bearing - Reverse Mainshaft Needle	1
RB-10	101-8-16	Gear - Reverse Mainshaft - Rear (57T)	1
RB-11	101-47-4	Washer - Thrust Reverse Gear	1
RB-12	550989	Bearing - Mainshaft Rear	1
RB-13	See Tab Bills	Gear - Speedometer Signal/Drive	1
RB-14	See Table	Companion Flange or End Yoke (see table below)	1
RB-15	53-205-1	Washer - Mainshaft Nut - Rear	1
RB-16	501200	Nut - Mainshaft - Rear (1.250"-18)	1

N.S.S. - Not Sold Separately

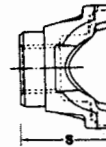


Companion Flanges

Joint Series	A Flange Diameter	Part No. Companion Flange Assembly	Part No. Companion Flange	G End of Hub to Flange Face Length	C Pilot Diameter F-Female M-Male	Brake Size
1480/1550	Rectangular	—	53-106-2	2 7/8"	F-3 3/4"	—



FULL ROUND



**U-BOLT—BRG. STRAP—HALF ROUND
End Yokes**

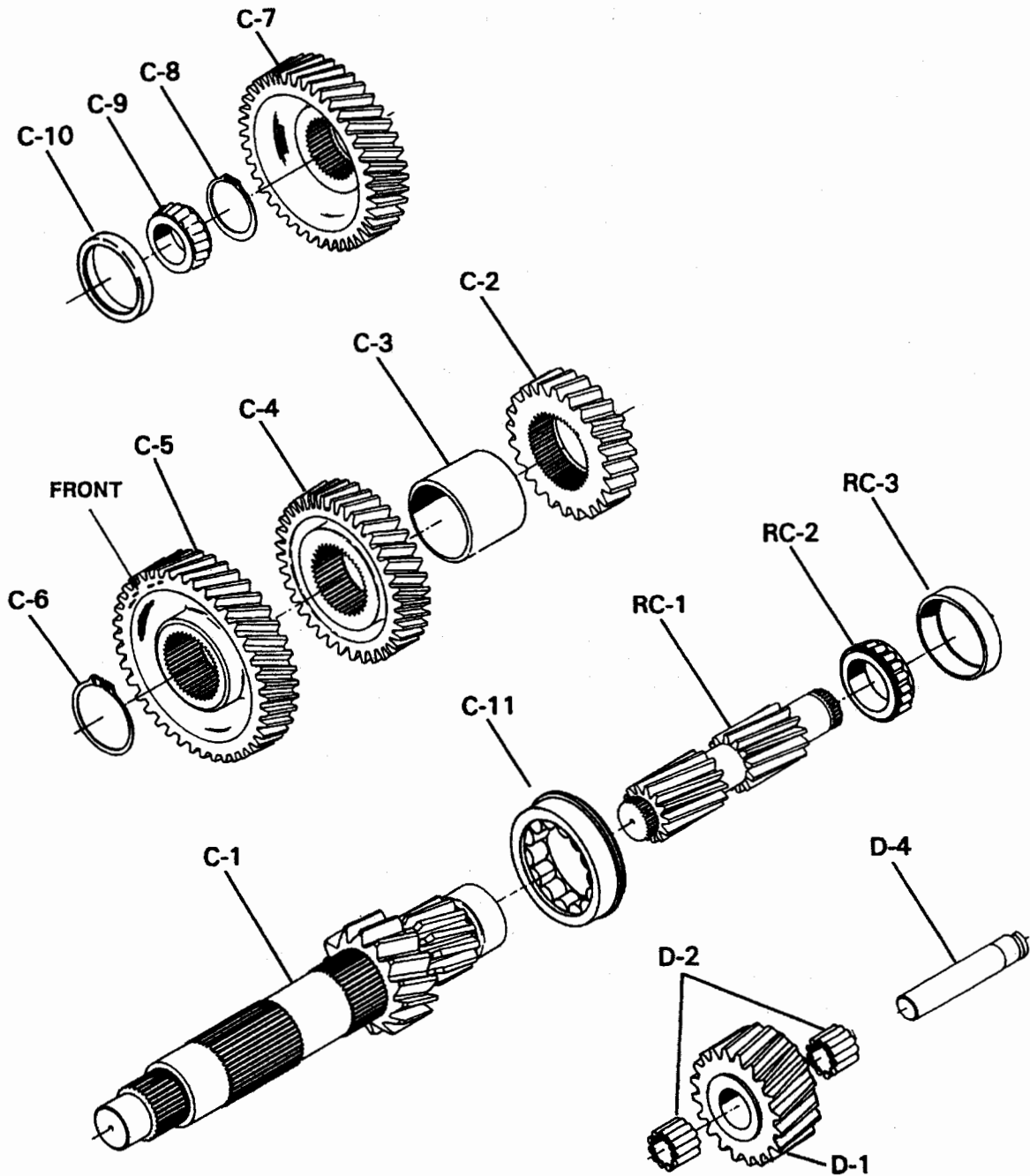
Series	Yoke Style	End Yoke Part Number	S End of Hub to Center Line Length	Momentary Joint Angle	Brake Size
1480	U-Bolt	3-4-8781	4 11/64"	22 1/2°	—
1550	U-Bolt	4-4-4491	4 1/64"	21 1/2°	—
1550	Brg. Strap*	4-4-4491-1	4 1/64"	21 1/2°	—
1550	Half Rnd.	(A) 4-4-6111-1X	7 1/32"	22°	12 x 4
1590	Half Rnd.	4-9-4-81-1	4 3/8"	25°	—
1610	Full Rnd.	5-4-6321	4"	19°	—
1610	Half Rnd.	5-4-6321-1	4"	19°	—
1610	Half Rnd.	(A) 5-4-7611-1X	7 9/16"	22°	12 x 4
1710	Full Rnd.	6-4-7301	5 1/4"	33 1/2°	—
1710	Half Rnd.	6-4-7301-1	5 1/4"	33 1/2°	—

(A) Assembly Includes Brake Drum

*With Tapped Holes

ES52-7B/ESO66-7B GEARS and RELATED PARTS

T210-ES52-7B



ES52-7B/ESO66-7B GEARS and RELATED PARTS

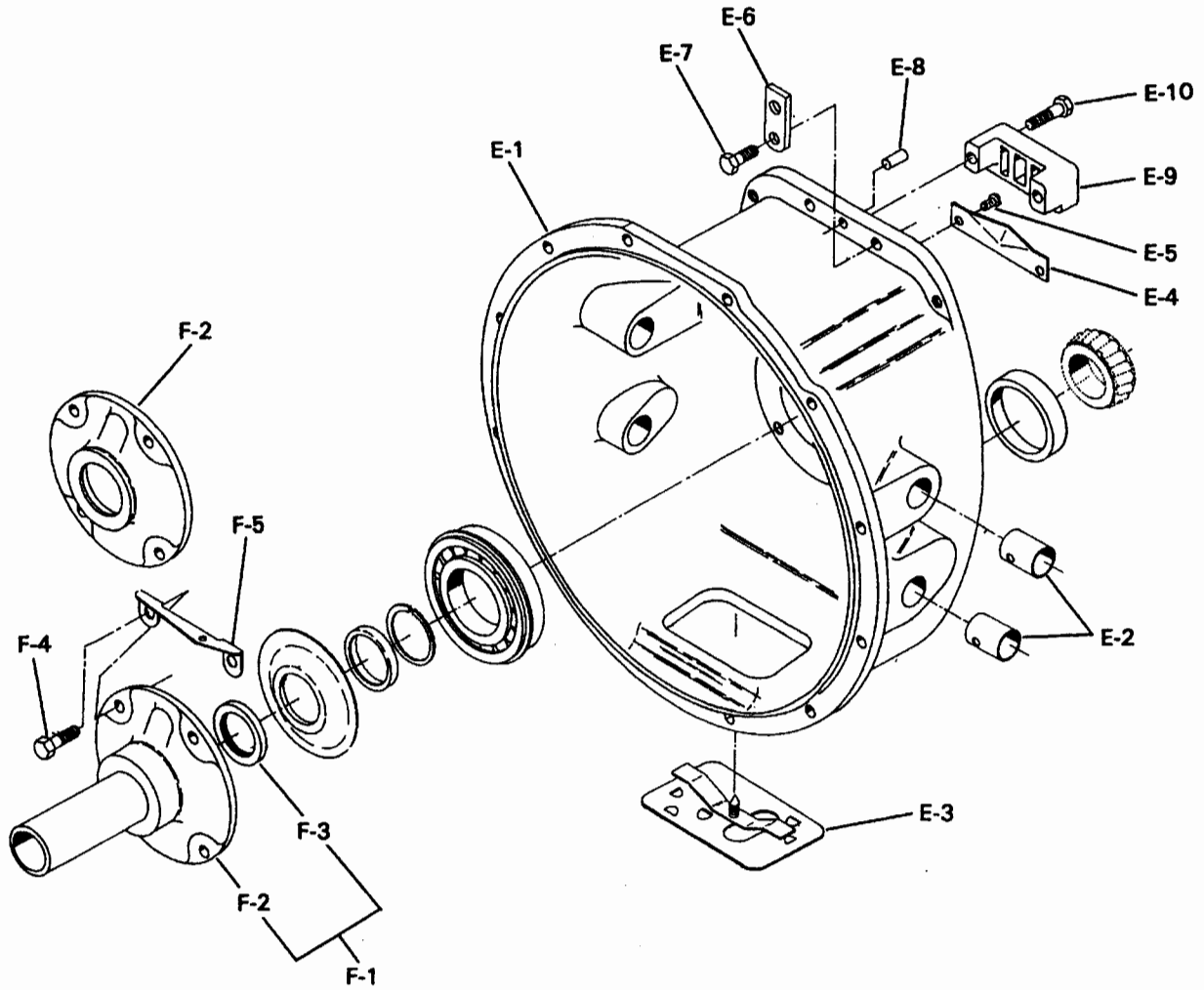
T210-ES52-7B

Ref. No.	Part No.	Description	Qty.
		Countershaft Group - Front	
C-1	101-30-2-1X	Countershaft - Front (16T/12T)	1
C-2	101-196-8	Gear - 4th Speed Countershaft - Front (24T)	1
C-3	101-37-1	Spacer - 4th & 5th Countershaft - Front	1
C-4	101-196-6	Gear - 5th Speed Countershaft - Front (34T)	1
C-5	101-196-2	Gear - 6th Speed Countershaft - Front (38T) ES52-7B	1
or	101-196-9	Gear - 6th Speed Countershaft - Front (45T) ESO66-7B	1
C-6	27-381-5	Ring - Snap 6th Speed Countershaft - Front	1
C-7	101-1-5	Gear - Head End Drive Countershaft - Front (45T) ES52-7B	1
or	101-1-4	Gear - Head End Drive Countershaft - Front (38T) ESO66-7B	1
C-8	40-381-3	Ring - Snap Countershaft Head End Gear	1
C-9	550868	Bearing - Cone Countershaft - Front	1
C-10	550978	Bearing - Cup Countershaft - Front	1
C-11	551007	Bearing - Intermediate Countershaft Front	1
		Countershaft Group - Rear	
RC-1	101-30-4	Countershaft - Rear (with PTO drive) (13T/13T)	1
RC-2	550868	Bearing - Cone Countershaft - Rear	1
RC-3	550978	Bearing - Cup Countershaft - Rear	1
		Reverse Idler Group	
D-1	101-5-2	Gear - Reverse Idler (31T)	1
D-2	550886	Bearing - Reverse Idler	2
D-4	63-60-1	Shaft - Reverse Idler	1

ES52-7B/ESO66-7B

CLUTCH HOUSING and DRIVE GEAR BEARING CAP GROUP

T210-ES52-7B



ES52-7B/ESO66-7B

CLUTCH HOUSING and DRIVE GEAR BEARING CAP GROUP

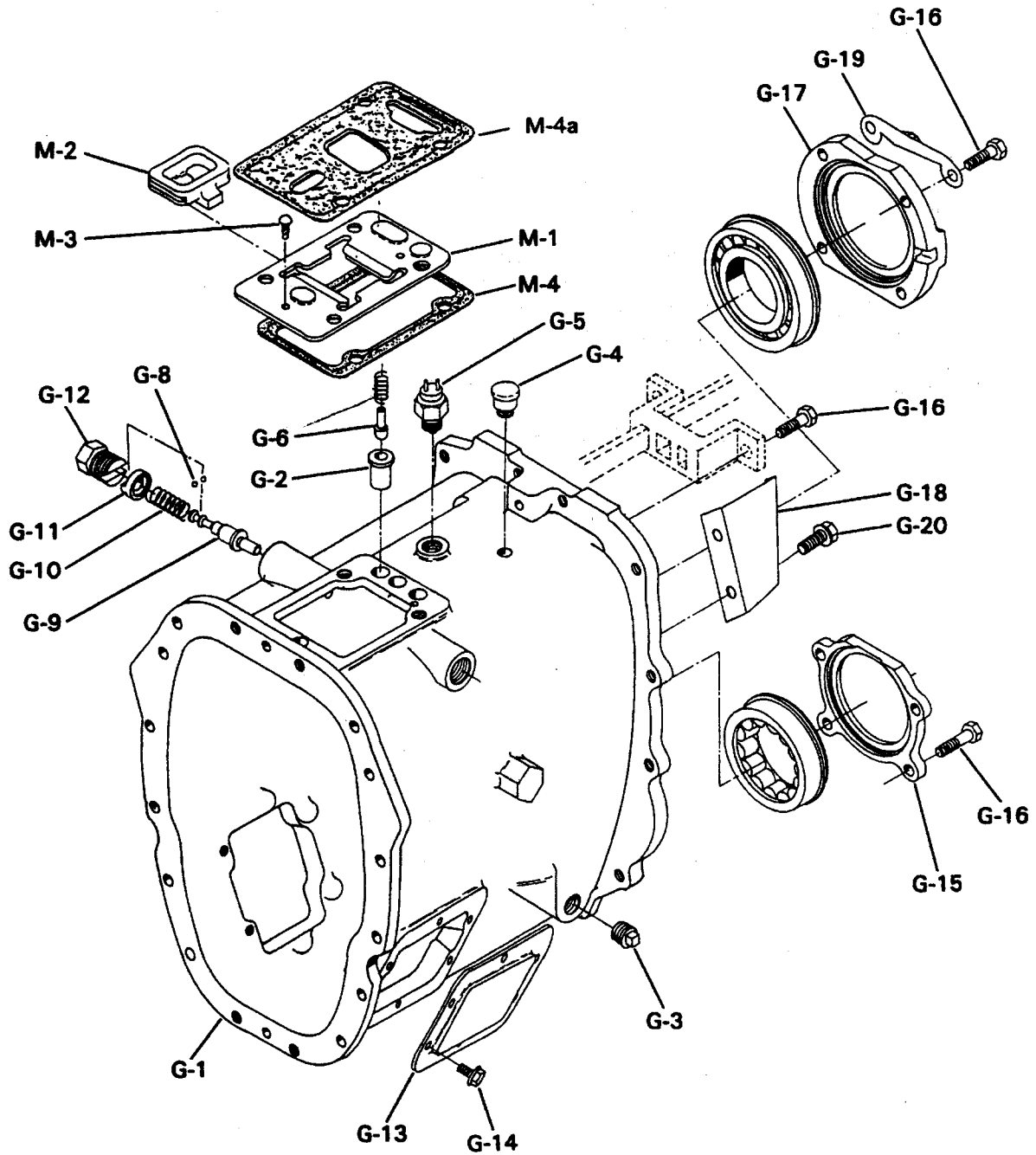
T210-ES52-7B

Ref. No.	Part No.	Description	Qty.
		Clutch Housing Group	
	101-518-7-2X	Clutch Housing Assembly (includes E-1 thru E-5)	1
E-1	N.S.S.	Clutch Housing (C101-518-1)	1
E-2	128C-20	Bushing - Clutch Release Shaft	4
E-3	46-96-2-1X	Hand Hole Cover	1
E-4	40-468-1	Oil Trough	1
E-5	545141	Drive Pin	2
E-6	330969-4	Lift Hook	1
E-7	545002-4	Bolt - Clutch Housing (.375-16 x 1.125)	16
E-8	545086	Dowel Pin - Clutch Housing to Front Case	2
E-9	101-477-1	Support - Shift Bar - Front	1
E-10	545002-9	Screw - Shift Bar Support - Front(.375-16 x 2.250)	2
		Drive Gear Bearing Cap Group	
F-1	See Tab Bills	Cap & Seal Assembly - Drive Gear (includes F-2 thru F-3)	1
	101-19-2-1X	Cap & Seal Assembly - (flat cap) (C101-19-1)	1
	101-19-6-1X	Cap & Seal Assembly - (stem cap) (C101-19-5)	1
F-2	N.S.S.	Cap - Drive Gear	1
F-3	60-463-10-1X	Oil Seal (includes installation sleeves)	1
F-4	545002	Screw - Drive Gear Bearing Cap (.375-16 x 1.00)	4
F-5	101-411-1	Bracket - Clutch Return Spring (Navistar only)	1

N.S.S. - Not Sold Separately

ES52-7B/ESO66-7B CASE GROUP and RELATED PARTS - FRONT

T210-ES52-7B



EASY SHIFT 7 SPEED MODELS

CASE GROUP and RELATED PARTS - FRONT

T210-ES52-7B

Ref. No.	Part No.	Description	Qty.
Case Group			
	101-15-6-1X	Case Assembly - Front (includes G-1 thru G-4 and 101-360-5-1X)	1
G-1	N.S.S.	Case - Front (C101-15-1)	1
N.S.	NP-96	Name Plate	1
N.S.	NP-196	Patent Plate	1
N.S.	252-SP	Pin - Name Plate	4
N.S.	330934	Magnet - Ceramic (located inside rear of case)	2
N.S.	545123	Plug - Filler/Drain - Magnetic (1.062-12 UNF-2A) (located lower left side near rear face)	2
N.S.	330800	Plug - Brake Mount Hole (.375-16 x .750)	4
N.S.	545086	Pin-Dowel (main case to clutch housing & main case to rear case)	4
G-2	40-487-1	Insert - Poppet Spring	4
G-3	201-39-1	Plug - Temperature Indicator Hole	1
G-4	312268	Breather	1
G-5	313552	Switch - Back-Up Light Ref. (see B/M for OEM specified)	1
G-5	313538	Switch - Back-Up Light	1
G-6	101-438-9-2X	Plunger Assembly (includes 4 springs and 4 poppets)	1
G-8	550566-7	Ball - Steel (.250 dia.) Plunger 6th & 7th Crossgate	4
G-9	101-438-7	Plunger - 6th & 7th Crossgate	2
G-10	101-72-6-1X	Spring - Low & Rev. (orange) (located right side as shown)	1
and	101-72-5	Spring - Plunger 6th & 7th Crossgate (located left side)	1
G-11	101-135-1	Pusher - Plunger Spring 6th & 7th Crossgate	2
G-12	38P-4	Plug - 1st & Rev./6th & 7th Crossgate Plunger	2
G-13	50-267-2	Cover - PTO Aperture (6 bolt)	2
G-14	330800	Screw - PTO Aperture Cover (.375-16 x .750)	12
N.S.	545056-3	Anaerobic Sealant (approx. 6 cc)	A/R
	101-360-5-1X	Kit - Retainer Intermediate Countershaft Bearing	1
G-15	101-360-5	Clip - Retainer Intermediate Countershaft Bearing	2
G-16	545002	Screw - Retainer Plate Countershaft (.375-16 x 1.00)	2
G-17	101-360-2	Plate - Retainer Intermediate Mainshaft Bearing	1
G-18	101-468-3	Oil Trough - Mainshaft 1st Speed Gear	1
G-16	545002	Screw - Oil Trough & Intermediate Retainer (.375-16 x 1.00)	4
G-16	545002	Screw - Intermediate Shift Bar Support (.375-16 x 1.00)	2
G-19	101-468-4	Oil Trough - Mainshaft Bearing	1
G-20	330800	Screw - Oil Trough Mainshaft Bearing (.375-16 x 7.50)	2
Interlock Group			
M-1	101-200-1	Plate - Interlock Retainer	1
M-2	101-200-3	Interlock	1
M-3	545091	Screw - Drive Interlock Retainer	2
M-4	101-118-1	Gasket - Interlock Plate and Tower	1
M-4a	101-118-2	Gasket - Interlock Plate and Tower	1

*-Back-Tapered Clutching Teeth Version (After Serial No. J960601000)

** - Straight Clutching Teeth Version (Before Serial No. J960601000)

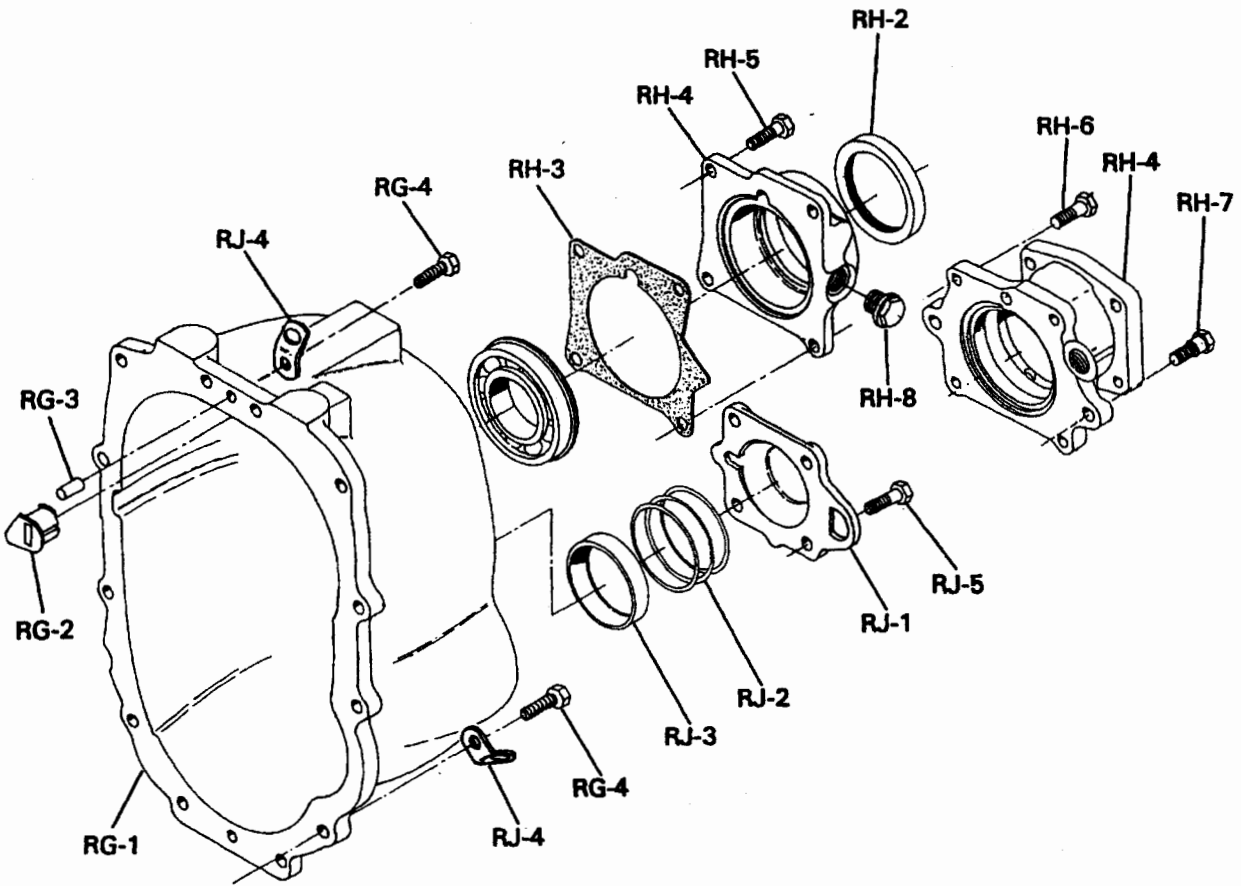
N.S. - Not Shown

A/R - As Required

◀◀◀◀◀◀◀◀◀◀ **IMPORTANT**

ES52-7B/ESO66-7B
CASE GROUP and RELATED PARTS - REAR

T210-ES52-7B



ES52-7B/ESO66-7B

CASE GROUP and RELATED PARTS - REAR

T210-ES52-7B

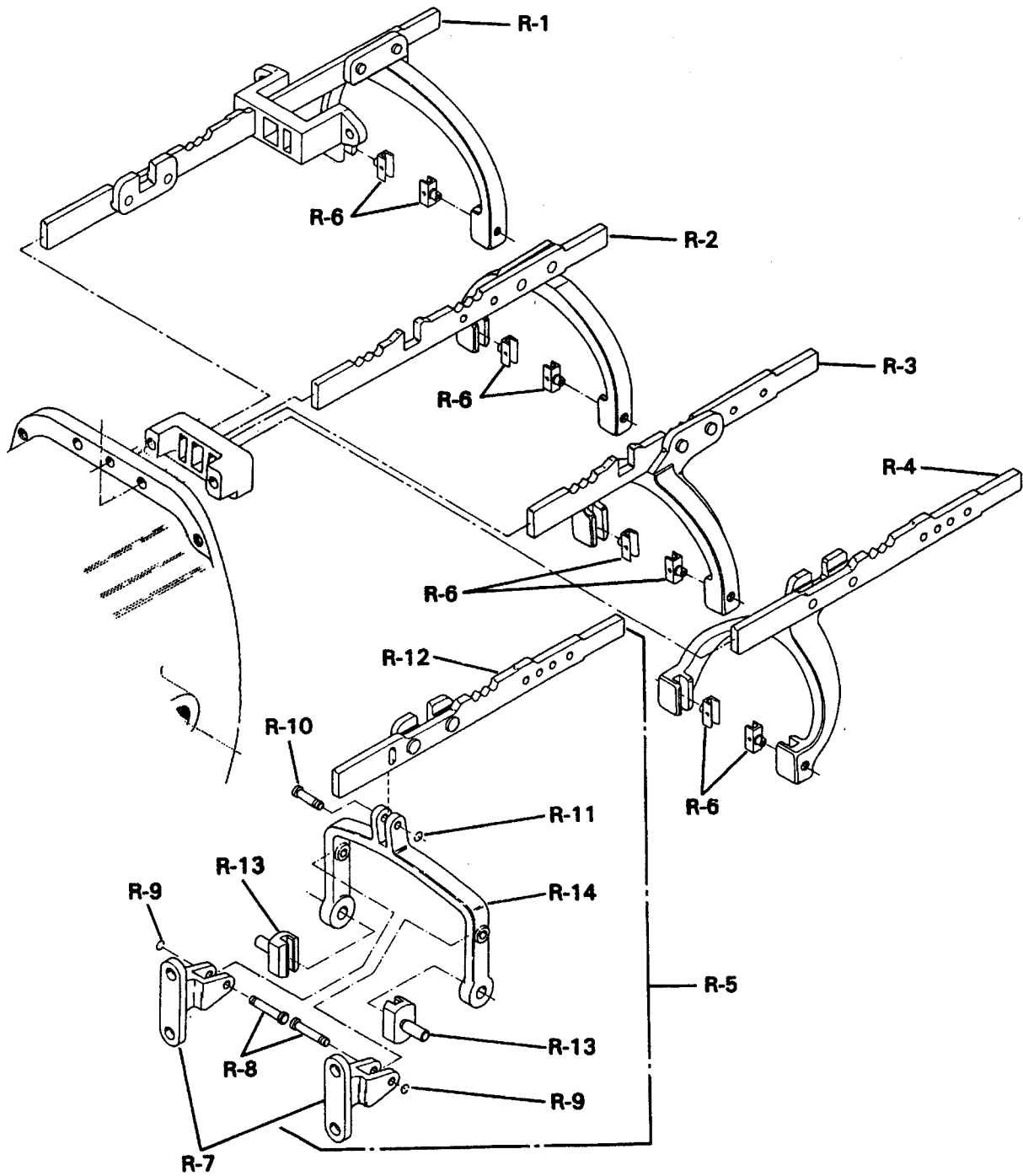
Ref. No.	Part No.	Description	Qty.
		Case Group - Rear	
	101-15-5-1X	Case Assembly - Rear	1
RG-1	N.S.S.	Case - Rear (C101-15-3)	1
RG-2	101-477-3	Shift Bar Support - Rear	1
N.S.	545012	Plug - Brake Mounting Holes in Rear Face	2
N.S.	545089-1	Plug - Brake Mounting Lugs	2
RG-3	545086	Pin - Dowel - Rear Case to Front Case	2
RG-4	545002-4	Screw - Rear Case (.375-16 x 1.250)	12
		Mainshaft Rear Bearing Cap Group	
RH-1	See Tab Bills	Cap - Sub-Assembly Mainshaft Rear Bearing	1
	40-19-41-2X	Cap - Sub-Assy. M/S Rear Brg. (12 x 4 DCM brake) (C40-19-44)	1
or	40-19-43-2X	Cap - Sub-Assy. Mainshaft Rear Bearing (air) (C40-19-46)	1
or	40-19-19-2X	Cap - Sub-Assy. M/S Rear Brg. (12 x 4 DCM) Mech. Speedo(C40-19-19)	1
N.S.	60-475-1	Bushing - Speedometer (40-19-19-2X)	1
RH-2	63-463-1	Oil Seal	1
RH-3	40-223-5	Gasket (for 12 x 4 DCM brake cap)	1
or	40-223-4	Gasket (for air cap)	1
RH-4	N.S.S.	Cap - Mainshaft Rear Bearing	1
RH-5	545002-4	Screw - Mainshaft Rear Bearing Cap (air cap)	4
or			
RH-6	545002-2	Screw - M/S Rear Bearing Cap (.375-16 x 1.375) (brake cap)	4
and			
RH-7	545134	Screw - M/S Rear Bearing Cap (.438-14 x 1.250) (brake cap)	2
RH-8	545021	Plug - Electronic Speedo/Cruise (.750 - 16 UNF-2A)	1
		Countershaft Rear Bearing Cap Group	
RJ-1	101-22-1	Cap - Countershaft Rear Bearing	1
RJ-2	49-228-1-1	Shim - Countershaft Rear Bearing (.005")	A/R
	49-228-1-2	Shim - Countershaft Rear Bearing (.010")	A/R
	49-228-1-3	Shim - Countershaft Rear Bearing (.015")	A/R
RJ-3	550978	Cup - Countershaft Rear Bearing	1
RJ-4	330564-1	Lift Hook	2
and	330969-4	Lift Hook	1
RJ-5	545002	Screw - Countershaft Rear Bearing Cap (.375-16 x 1.250)	4

Note: Countershaft end play should be .001" - .008"

N.S. - Not Shown
N.S.S. - Not Sold Separately
A/R - As Required

ES52-7B/ESO66-7B SHIFT BAR and FORK ASSEMBLY

T210-ES52-7B



EASY SHIFT 7 SPEED MODELS

SHIFT BAR and FORK ASSEMBLY

T210-ES52-7B

Ref. No.	Part No.	Description	Qty.
Shift Bar and Fork Assembly			
R-1	313682-1X	Fork and Bar Assy. - Low & Reverse (direct and overdrive models)	1
R-2	101-69-3-1X	Fork and Bar Assy. - 1st and 2nd (direct and overdrive models)*	1
or	313681-1X	Fork and Bar Assy. - 1st and 2nd (direct and overdrive models)**	1
R-3	101-69-2-1X	Fork and Bar Assy. - 3rd and 4th (direct and overdrive models)*	1
or	313680-1X	Fork and Bar Assy. - 3rd and 4th (direct and overdrive models)**	1
R-4	101-69-1-1X	Fork and Bar Assy. - 5th and 6th (direct models only)*	1
or	313683-1X	Fork and Bar Assy. - 5th and 6th (direct models only)**	1
or			
R-5	101-69-11-1X	Fork and Bar Assy. - (overdrive models only) (includes R-7 thru R-14)*	1
or	313679-2X	Fork and Bar Assy. - (overdrive models only) (includes R-7 thru R-14)**	1
R-6	101-486-1-1X	Kit - Shift Fork Clip (includes (2) clips) (included in R-1, R-2, R-3, and R-4)	4
Service Kits for Ref. No. R-5			
	101-411-2-1X	Kit - Shift Fork Mounting Bracket, Pin, and Snap Rings	1
R-7	N.S.S.	Mounting Bracket - Overdrive Shift Fork	2
R-8	N.S.S.	Pin - Mounting Bracket	2
R-9	N.S.S.	Snap Ring - Mounting Bracket Pin	2
R-10	N.S.S.	Pin - Overdrive Shift Fork Mounting	1
R-11	N.S.S.	Snap Ring - Mounting Pin	1
	101-67-8-2X	Kit - Shift Bar, Pin, Snap Ring, and Plunger Assembly*	1
R-12	N.S.S.	Shift Bar - Overdrive	1
R-10	N.S.S.	Pin - Overdrive Shift Fork Mounting	1
R-11	N.S.S.	Snap Ring - Mounting Pin	1
N.S.	N.S.S.	Plunger Assembly (includes 1 spring and 1 poppet)	1
	101-67-2-2X	Kit - Shift Bar, Pin, Snap Ring, and Plunger Assembly**	1
R-12	N.S.S.	Shift Bar - Overdrive	1
R-10	N.S.S.	Pin - Overdrive Shift Fork Mounting	1
R-11	N.S.S.	Snap Ring - Mounting Pin	1
N.S.	N.S.S.	Plunger Assembly (includes 1 spring and 1 poppet)	1
	101-66-4-1X	Kit - Shift Fork, Pins, Snap Rings, and Shoes	1
R-10	N.S.S.	Pin - Overdrive Shift Fork Mounting	1
R-11	N.S.S.	Snap Ring - Mounting Pin	1
R-8	N.S.S.	Pin - Mounting Bracket	2
R-9	N.S.S.	Snap Ring - Mounting Bracket Pin	2
R-13	101-486-4-1X	Kit - Shoe - Overdrive Shift Fork (includes (2) shoes)	1
R-14	N.S.S.	Shift Fork - Overdrive	1
	201-438-6-1X	Kit - Fork Mounting Pin and Snap Ring	1
R-10	N.S.S.	Pin - Overdrive Shift Fork Mounting	1
R-11	N.S.S.	Snap Ring - Mounting Pin	1
	101-438-2-1X	Kit - Mounting Bracket Pins and Snap Rings	1
R-8	N.S.S.	Pin - Mounting Bracket	2
R-9	N.S.S.	Snap Ring - Mounting Bracket Pin	2

*-Back-Tapered Clutching Teeth Version (After Serial No. J960601000)

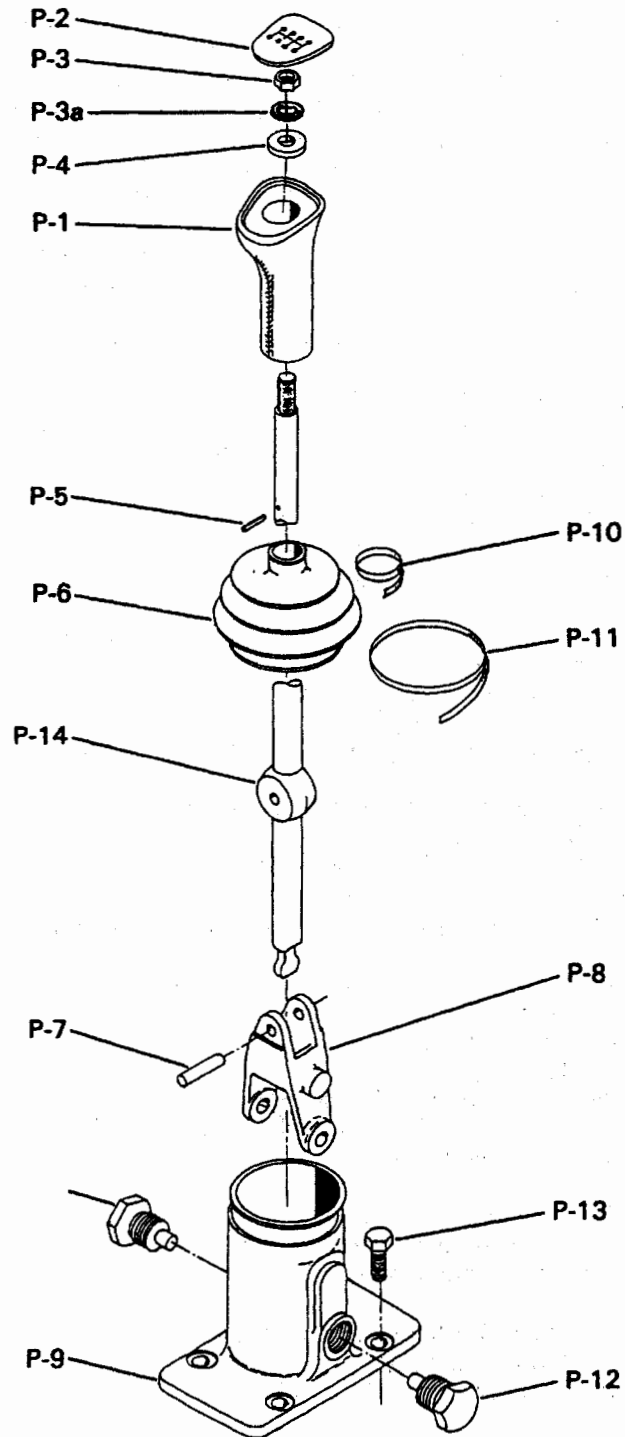
** - Straight Clutching Teeth Version (Before Serial No. J960601000)

N.S.S. - Not Sold Separately

◀◀◀◀◀◀◀◀◀ **IMPORTANT**

ES52-7B/ESO66-7B SHIFT LEVER and TOWER ASSEMBLY - GIMBAL

T210-ES52-7B



ES52-7B/ESO66-7B

SHIFT LEVER and TOWER ASSEMBLY - GIMBAL

T210-ES52-7B

Ref. No.	Part No.	Description	Qty.
N.S.	See Chart Below 313768-2X	Shift Lever and Tower Assembly	1
		Sub-Assembly - Shift Knob (includes P-1 thru P-5)	1
P-1	39Q-35	Handle - Shift Lever	1
P-2	101-20-9	Insert - Shift Lever Handle (ES52-7 & ESO66-7)	1
P-2	49-20-1	Insert - Shift Lever Handle (ES43-5 & ES53-5)	1
P-3	500370-5	Nut - Shift Knob Retaining	1
P-3a	500357-13	Washer - Shift Lever Retaining (lock type)	1
P-4	201-451-2	Washer - Shift Knob	1
P-5	201-438-8	Pin - Shift Knob	1
N.S.	101-17-2-10X	Sub-Assembly - Shift Tower (includes P-6 thru P-13)	1
P-6	101-483-2	Boot - Shift Tower and Lever	1
P-7	53Q-20	Pin - Pivot (Gimbal)	1
P-8	48Q-60	Yoke - Shift (Gimbal)	1
P-9	101-17-2	Tower - Shift (Gimbal)	1
P-10	33Q-15-1	Tie Cable - Upper	1
P-11	33Q-15-2	Tie Cable - Lower	1
P-12	313591X	Kit - Truion Screws (includes (2) Truion Screws)	1
P-13	545028	Screw - Shift Tower	4
N.S.	210-483-4	Boot - Floorboard (oval)	1
N.S.	210-483-5	Boot - Floorboard (rectangular)	1
	2851	Bulletin	
P-14	See Chart Below	Shift Lever	1

SHIFT LEVER AND TOWER ASSEMBLIES				
LVR. & TOWER ASSEMBLY (Includes P-1 thru P-12 & P-14)		SHIFT LEVER (P-14)		
SPICER#		SPICER #		OVERALL LENGTH
101-17-2-20X		25Q-2710		34.600"
101-17-2-22X		25Q-2712	Stub Lever Used with 313765X	9.100"
101-17-2-23X	313765X Coupling - Used with 101-17-2-22X	25Q-2713	Lever Part of 313765X Coupling	25.000"
101-17-2-27X		25Q-2728		35.380"
101-17-2-28X		25Q-2594-10	Straight Lever	26.40"
101-17-2-29X		25Q-2594-11	Straight Lever	30.712"
101-17-2-30X		25Q-2594-12		35.419"

N.S.S. - Not Sold Separately
N.S. - Not Shown

ES52-7B/ESO66-7B

SERVICE PARTS OVERHAUL KITS

T210-ES52-7B

Part No.	Description	Qty.
	Major Overhaul Kit	
101-400-1X	Major Overhaul Kit	1
101-432-1X	Minor Overhaul Kit	1
313401-33X	Thrust Washer Kit	1
313429-25X	Repair Shifting Parts Kit	1
501200	Nut - Mainshaft Rear	1
53-205-1	Washer - Nut Mainshaft Rear	1
545132	Nut - Mainshaft Front	1
101-432-1X	Minor Overhaul Kit (included in major overhaul kit)	1
551007	Bearing - Countershaft Intermediate Front	1
550986	Bearing - Mainshaft Pocket	1
101-482-1	Bearing - Drive Gear/Mainshaft Intermediate	2
550989	Bearing - Mainshaft Rear	1
551003	Bearing - Mainshaft 6th Gear Needle	2
551004	Bearing - Mainshaft 5th Gear Needle	2
551005	Bearing - Mainshaft 4th Gear Needle	1
551006	Bearing - Mainshaft 4th Gear Needle	1
550886	Bearing - Reverse Idler Gear Roller Assembly	2
550991	Bearing - Reverse, 1st, 2nd 3rd Mainshaft Needle	4
550868	Bearing - Taper Cone (countershaft)	2
550978	Bearing - Taper Cup (countershaft)	2
60-463-10-1X	Seal - Oil Drive Gear Bearing Cap (incl. installation tools)	1
63-463-1	Seal - Oil Mainshaft Rear Bearing Cap	1
545077	#2 Moly Grease (packet)	1
101-486-1-1X	Clip - Shift Fork	4
101-486-4-1X	Shoe - Shift Fork (overdrive)	1
545124	Washer - Filler/Drain Plug	2
545080-1	Adhesive for Mainshaft Nut (.5 cc vial)	1
312475-46X	Gasket Kit	1
313438-3X	Shim Kit - Countershaft Rear	1
313024-28X	Snap Ring Kit	1
313401-33X	Thrust Washer Kit (included in major overhaul kit)	1
974-W	Washer - Thrust Reverse Idler Gear	2
101-47-4	Washer - Thrust Reverse Mainshaft Gear	1
101-47-5	Washer - Low Speed Thrust	1
101-47-6	Washer - Thrust 2nd Mainshaft Gear	1
101-47-1	Washer - Thrust 5th & 6th Mainshaft Gear	1
500566-5	Ball - Mainshaft Thrust Washer	3
101-47-2	Washer 1st, 3rd & 4th Mainshaft Gear	2
2848	Bulletin	1

ES52-7B/ESO66-7B

SERVICE PARTS OVERHAUL KITS

T210-ES52-7B

Part No.	Description	Qty.
313429-25X	Repair Shifting Parts Kit (included in major overhaul kit)	1
101-438-9	Plunger - Poppet	4
101-72-7	Spring - Shift Bar Poppet	4
500566-7	Ball - Plunger 6th & 7th Crossgate	4
101-438-7	Plunger - 6th & 7th Crossgate	2
101-72-5	Spring - Plunger 6th & 7th Crossgate	1
101-72-6-1X	Spring - Plunger Low/Rev. (orange)	1
101-135-1	Pusher - Plunger Spring 6th & 7th Crossgate	2
545091	Screw - Drive Interlock Retainer	2
312475-46X	Gasket Kit (included in major and minor overhaul kit)	1
101-118-2	Gasket - Interlock Plate to Tower Assembly	1
101-118-1	Gasket - Case to Interlock Plate/Tower Assembly	1
40-223-5	Gasket - Mainshaft Rear Bearing Cap (DCM brake cap)	1
40-223-4	Gasket - Mainshaft Rear Bearing Cap (air brake cap)	1
545056-10	Anaerobic Sealant - 24 cc Tube	1
2824	Bulletin - Anaerobic Sealant Application	1
313438-3X	Shim Kit (included in major and minor overhaul kit)	1
49-228-1-1	Shim - Countershaft Rear Bearing (.005")	2
49-228-1-2	Shim - Countershaft Rear Bearing (.010")	2
49-228-1-3	Shim - Countershaft Rear Bearing (.015")	2
2793	Bulletin - Countershaft Shim Instructions	1
313024-28X	Snap Ring Kit (included in major and minor overhaul kit)	1
82-381-2	Ring - Snap Drive Gear	2
40-381-3	Ring - Snap Countershaft Drive Gear	1
101-381-4	Ring - Snap 1st Speed Thrust Washer	1
40-381-4	Ring - Snap 4th and 5th Mainshaft Clutch Gear	1
101-381-1	Ring - Snap 5th and 6th Mainshaft Gear	1
40-381-1	Ring - Snap 6th and 7th Clutch Gear	1
27-381-5	Ring - Snap 6th Countershaft Gear	1
101-381-2	Ring - 1st Mainshaft Rear/3rd & 4th Mainshaft Front	2
2848	Bulletin	1

MODEL ES52-7B/ESO66-7B

TABULATED BILLS OF MATERIAL

T210-ES52-7B

Tab No.	Used By	For Use With Clutch	CLUTCH HOUSING			Main Drive Gear A-1 Page 3	Drive Gear Bearing Cap F-1 Page 9	Case Assembly Front G-1 Page 11
			S A E	Assembly No. E-1 Page 9	Rel. Code			

**Model ES52-7B
301637**

-1	General Use	Pull Type	2	101-518-7-2X	-	101-35-21-1X	101-19-2-1X	101-15-6-1X
-2	Freightliner	Pull Type	2	101-518-7-2X	-	101-35-21-1X	101-19-2-1X	101-15-6-1X
-3	Spicer Australia	Pull Type	2	101-518-7-2X	-	101-35-21-1X	101-19-2-1X	101-15-6-1X
-4	Navistar	Pull Type	2	101-518-7-1X	-	101-35-21-1X	101-19-2-1X	101-15-6-1X
-5	Freightliner	Pull Type	2	101-518-7-1X	-	101-35-21-1X	101-19-2-1X	101-15-6-1X
-6	Ford	Pull Type	2	101-518-7-1X	-	101-35-24-1X	101-19-2-1X	101-15-6-1X
-7	Ford	Pull Type	2	101-518-7-1X	-	101-35-24-1X	101-19-2-1X	101-15-6-1X
-8	General	Push Type	2	101-518-7-1X	-	101-35-22-1X	101-19-6-1X	101-15-6-1X
-9	Freightliner	Pull Type	2	101-518-7-1X	-	101-35-21-1X	101-19-2-1X	101-15-6-1X
-10	BMC		2	101-518-8-1X	-	101-35-21-1X	101-19-2-1X	101-15-6-1X
-11	Ford	Pull	2	101-518-7-1X		101-35-24-1X	101-19-2-1X	101-15-6-1X
-12	GMC	Pull	2	101-518-7-1X		101-35-21-1X	101-19-2-1X	101-15-6-1X
-13	Freightliner	Pull	2	101-518-7-1X		101-35-21-1X	101-19-2-1X	101-15-6-1X
-14	Freightliner	Pull	2	101-518-7-1X		101-35-21-1X	101-19-2-1X	101-15-6-1X
-15	GMC	Pull	2	101-518-7-1X		101-35-21-1X	101-19-2-1X	101-15-6-1X
-16	GMC	Pull	2	101-518-7-1X		101-35-21-1X	101-19-2-1X	101-15-6-1X
-17	Freightliner	Pull	2	101-518-7-1X		101-35-21-1X	101-19-2-1X	101-15-6-1X
-18	Freightliner	Pull	2	101-518-7-1X		101-35-21-1X	101-19-2-1X	101-15-6-1X
-19	Navistar	Push	2	101-518-7-1X		101-35-25-1X	101-19-6-1X	101-15-6-1X
-20	Navistar	Pull	2	101-518-7-1X		101-35-24-1X	101-19-2-1X	101-15-6-1X
-21	Navistar	Push	2	101-518-7-1X		101-35-25-1X	101-19-6-1X	101-15-6-1X
-22	Navistar	Pull	2	101-518-7-1X		101-35-24-1X	101-19-2-1X	101-15-6-1X
-23	Ford	Pull	2	101-518-7-1X		101-35-24-1X	101-19-2-1X	101-15-6-1X
-24	Ford	Pull	2	101-518-7-1X		101-35-24-1X	101-19-2-1X	101-15-6-1X
-30	Ford	Pull	-	-		-	-	101-15-6-1X
-33	GMC	Pull	2	101-518-7-1X		101-35-21-1X	101-19-2-1X	101-15-6-1X
-45	Navistar	Push	2	101-518-7-1X		101-35-25-1X	101-19-6-1X	101-15-6-1X
-46	Navistar	Pull	2	101-518-7-1X		101-35-24-1X	101-19-2-1X	101-15-6-1X

MODEL ES52-7B/ESO66-7B

TABULATED BILLS OF MATERIAL

T210-ES52-7B

Tab No.	Case Assembly Rear RG-1 Page 13	Mainshaft Rear Brg. Cap Assembly Gear RH-1 Page 13	Speedometer		End Yoke or Companion Flange Page 9	Lever and Tower Control Assembly Page 17	Remote Control Assembly
			Drive Gear or Signal Gear RB-13 Page 5	Driven Gear			

**Model ES52-7B
301637**

-1	101-15-5-1X	40-19-43-2X	53-452-5	-	-	-	-
-2	101-15-7-1X	40-19-41-2X	53-452-5	-	5-4-7601-1	-	-
-3	101-15-7-1X	40-19-43-2X	53-452-5	-	5-4-6321-1	-	40-18-1-9X
-4	101-15-5-1X	40-19-38-2X	53-452-3	-	-	-	-
-5	101-15-7-1X	40-19-43-2X	53-452-5	-	5-4-6321	-	-
-6	101-15-5-1X	40-19-39-1X	53-452-6	-	6-4-7301-1	-	-
-7	101-15-5-1X	40-19-39-1X	53-452-6	-	5-4-6481-1	-	-
-8	101-15-5-1X	40-19-41-2X	53-452-5	-	-	-	-
-9	101-15-7-1X	40-19-43-2X	53-452-5	-	6-4-7301-1	-	-
-10	101-15-7-1X	40-19-39-1X	53-452-4	53-453-2	5-1-6321	-	40-18-1-2X
-11	101-15-7-1X	40-19-39-1X	53-452-6	-	90-4-391-1	-	-
-12	101-15-7-1X	40-19-41-2X	53-452-5	-	5-4-7601-1	101-17-2-74X	-
-13	101-15-7-1X	40-19-41-2X	53-452-5	-	-	-	-
-14	101-15-7-1X	40-19-43-2X	53-452-5	-	6-4-7301-1	-	-
-15	101-15-7-1X	101-19-9-1X	53-452-5	-	5-4-6321-1	101-17-2-84X	-
-16	101-15-7-1X	101-19-8-1X	53-452-5	-	5-1-6471X	-	-
-17	101-15-7-1X	40-19-43-2X	53-452-5	-	6-4-7301-1	-	-
-18	101-15-7-1X	40-19-43-2X	53-452-5	-	5-4-6321-1	-	-
-19	101-15-5-1X	40-19-43-2X	53-452-5	-	-	-	-
-20	101-15-5-1X	40-19-43-2X	53-452-5	-	-	-	-
-21	101-15-5-1X	40-19-41-2X	53-452-5	-	-	-	-
-22	101-15-5-1X	40-19-41-2X	53-452-5	-	-	-	-
-23	101-15-5-1X	101-19-9-1X	53-452-5	-	6-4-7301-1	-	-
-24	101-15-5-1X	101-19-8-1X	53-452-5	-	-	-	-
-30	101-15-5-1X	40-19-39-1X	53-452-6	-	-	-	-
-33	101-15-7-1X	201-37-7	-	-	-	-	-
-45	101-15-5-1X	201-37-7	-	-	-	-	-
-46	101-15-5-1X	201-37-7	-	-	-	-	-

MODEL ES52-7B/ESO66-7B

TABULATED BILLS OF MATERIAL

T210-ES52-7B

Tab No.	Used By	For Use With Clutch	CLUTCH HOUSING			Main Drive Gear A-1 Page 3	Drive Gear Bearing Cap F-1 Page 9	Case Assembly Front G-1 Page 11
			S A E	Assembly No. E-1 Page 9	Rel. Code			

**Model ESO66-7B
301638**

-1	General Use	Pull Type	2	101-518-7-1X	-	101-35-19-1X	101-19-2-1X	101-15-6-1X
-2	Ford	Pull Type	2	101-518-7-1X	-	101-35-19-1X	101-19-2-1X	101-15-6-1X
-3	Freightliner	Pull Type	2	101-518-7-1X	-	101-35-19-1X	101-19-2-1X	101-15-6-1X
-4	General	Push Type	2	101-518-7-1X	-	101-35-23-1X	101-19-6-1X	101-15-6-1X
-5	Freightliner	Pull Type	2	101-518-7-1X	-	101-35-19-1X	101-19-2-1X	101-15-6-1X
-6	Freightliner	Pull Type	2	101-518-7-1X	-	101-35-19-1X	101-19-2-1X	101-15-6-1X
-7	GMC	Pull Type	2	101-518-7-1X	-	101-35-19-1X	101-19-2-1X	101-15-6-1X
-8	Ford	Pull Type	2	101-518-7-1X	-	101-35-26-1X	101-19-2-1X	101-15-6-1X
-9	Freightliner	Pull Type	2	101-518-7-1X	-	101-35-19-1X	101-19-2-1X	101-15-6-1X
-10	Freightliner	Pull Type	2	101-518-7-1X	-	101-35-19-1X	101-19-2-1X	101-15-6-1X
-11	Freightliner	Pull Type	2	101-518-7-1X	-	101-35-19-1X	101-19-2-1X	101-15-6-1X
-12	TSP	Pull Type	2	101-518-7-1X	-	101-35-19-1X	101-19-2-1X	101-15-6-1X
-13	Never Released							
-14	General	Pull Type	2	101-518-7-1X	-	101-35-19-1X	101-19-2-1X	101-15-6-1X
-15	General	Push Type	2	101-518-8-1X	-	101-35-19-1X	101-19-4-1X	101-15-6-1X
-16	General	Push Type	2	101-518-7-1X	-	101-35-26-1X	101-19-4-1X	101-15-6-1X
-17	GMC	Pull Type	2	101-518-7-1X	-	101-35-23-1X	101-19-2-1X	101-15-6-1X
-18	General	Pull Type	2	101-518-7-1X	-	101-35-23-1X	101-19-6-1X	101-15-6-1X
19	Freightliner	Pull Type	2	101-518-7-1X	-	101-35-19-1X	101-19-2-1X	101-15-6-1X
-20	DPD	Pull Type	2	101-518-8-1X	-	101-35-26-1X	101-19-2-1X	101-15-6-1X
-21	Ford	Pull Type	2	101-518-7-1X	-	101-35-26-1X	101-19-2-1X	101-15-6-1X
-22	Freightliner	Pull Type	2	101-518-7-1X	-	101-35-19-1X	101-19-2-1X	101-15-6-1X
-23	Freightliner	Pull Type	2	101-518-7-1X	-	101-35-19-1X	101-19-2-1X	101-15-6-1X
-24	Freightliner	Pull Type	2	101-518-7-1X	-	101-35-19-1X	101-19-2-1X	101-15-6-1X
-25	Eurotruck	Pull Type	2	101-518-7-1X	-	101-35-26-1X	101-19-2-1X	101-15-6-1X
-26	Freightliner	Pull Type	2	101-518-7-1X	-	101-35-19-1X	101-19-2-1X	101-15-6-1X
-27	Freightliner	Pull Type	2	101-518-7-1X	-	101-35-19-1X	101-19-2-1X	101-15-6-1X
-28	GMC	Pull Type	2	101-518-7-1X	-	101-35-19-1X	101-19-2-1X	101-15-6-1X
-29	GMC	Pull Type	2	101-518-7-1X	-	101-35-19-1X	101-19-2-1X	101-15-6-1X
-30	Ford	Pull Type	2	-	-	-	101-19-2-1X	101-15-6-1X
-31	GMC	Pull Type	2	101-518-7-1X	-	101-35-19-1X	101-19-2-1X	101-15-6-1X
-32	GMC	Pull Type	2	101-518-7-1X	-	101-35-19-1X	101-19-2-1X	101-15-6-1X
-33	GMC	Pull Type	2	101-518-7-1X	-	101-35-19-1X	101-19-2-1X	101-15-6-1X
-34	Freightliner	Pull Type	2	101-518-7-1X	-	101-35-19-1X	101-19-2-1X	101-15-6-1X
-35	Navistar	Push Type	2	101-518-7-1X	-	101-35-27-1X	101-19-6-1X	101-15-6-1X
-36	Navistar	Pull Type	2	101-518-7-1X	-	101-35-26-1X	101-19-2-2X	101-15-6-1X
-37	Navistar	Pull Type	2	101-518-7-1X	-	101-35-26-1X	101-19-2-2X	101-15-6-1X
-38	Navistar	Pull Type	2	101-518-7-1X	-	101-35-26-1X	101-19-2-2X	101-15-6-1X
-39	Kenworth	Pull Type	2	101-518-8-1X	-	101-35-26-1X	101-19-2-2X	101-15-6-1X
-40	Freightliner	Pull Type	2	101-518-7-1X	-	101-35-19-1X	101-19-2-2X	101-15-6-1X
-41	Ford	Pull Type	2	101-518-7-1X	-	101-35-26-1X	101-19-2-2X	101-15-6-1X
-42	Ford	Pull Type	2	101-518-7-1X	-	101-35-26-1X	101-19-2-2X	101-15-6-1X
-43	Kenworth	Pull Type	2	101-518-8-1X	-	101-35-26-1X	101-19-2-2X	101-15-6-1X
-44	Kenworth	Pull Type	2	101-518-8-1X	-	101-35-26-1X	101-19-2-2X	101-15-6-1X
-45	Navistar	Push Type	2	101-518-7-1X	-	101-35-27-1X	101-19-6-1X	101-15-6-1X
-46	Navistar	Pull Type	2	101-518-7-1X	-	101-35-26-1X	101-19-2-1X	101-15-6-1X

MODEL ES52-7B/ESO66-7B

TABULATED BILLS OF MATERIAL

T210-ES52-7B

Tab No.	Case Assembly Rear RG-1 Page 13	Mainshaft Rear Brg. Cap Assembly Gear RH-1 Page 13	Speedometer		End Yoke or Companion Flange Page 9	Lever and Tower Control Assembly Page 17	Remote Control Assembly
			Drive Gear or Signal Gear RB-13 Page 5	Driven Gear			
Model ESO66-7B							
301638							
-1	101-15-5-1X	40-19-43-2X	53-452-5	-	-	-	-
-2	101-15-5-1X	40-19-39-1X	53-452-6	-	6-4-7301-1	-	-
-3	101-15-5-1X	40-19-43-2X	53-452-5	-	6-4-7301-1	-	-
-4	101-15-5-1X	40-19-22-2X	53-452-3	62-453-4	-	-	-
-5	101-15-7-1X	40-19-43-2X	53-452-5	-	5-4-7601-1	-	-
-6	101-15-7-1X	40-19-41-2X	53-452-5	-	5-4-7601-1	-	-
-7	101-15-5-1X	40-19-43-2X	53-452-5	-	5-4-6321-1	101-17-2-74X	-
-8	101-15-5-1X	40-19-39-1X	53-452-6	-	5-4-6481-1	-	-
-9	101-15-7-1X	40-19-43-2X	53-452-5	-	5-4-6321-1	-	-
-10	101-15-7-1X	40-19-43-2X	53-452-5	-	6-4-7301-1	-	-
-11	101-15-7-1X	40-19-43-2X	53-452-5	-	90-4-391-1	-	-
-12	101-15-7-1X	40-19-43-2X	53-452-5	-	6-4-7301-1	101-17-2-29X	-
-13	Never Released						
-14	101-15-5-1X	40-19-42-2X	53-452-5	-	-	-	-
-15	101-15-5-1X	40-19-38-2X	53-452-3	62-453-4	-	-	-
-16	101-15-5-1X	40-19-38-2X	53-452-5	-	-	-	-
-17	101-15-7-1X	40-19-53-2X	53-452-5	-	4-1-6051X	-	-
-18	101-15-5-1X	40-19-38-2X	53-452-3	62-453-4	-	-	40-18-1-2X
-19	101-15-7-1X	40-19-43-2X	53-452-5	-	6-4-7301	-	-
-20	101-15-7-1X	40-19-38-2X	53-452-4	53-453-2	53-106-2	-	40-18-1-2X
-21	101-15-7-1X	40-19-39-1X	53-452-6	-	90-4-391-1	-	-
-22	101-15-7-1X	40-19-43-2X	53-452-5	-	-	-	-
-23	101-15-7-1X	40-19-41-2X	53-452-5	-	-	-	-
-24	101-15-7-1X	40-19-41-2X	53-452-5	-	5-4-7601-1	-	-
-25	101-15-7-1X	40-19-38-2X	53-452-4	53-453-2	11-1-241	-	40-18-1-2X
-26	101-15-7-1X	40-19-43-2X	53-452-5	-	6-4-7301-1	-	-
-27	101-15-7-1X	40-19-43-2X	53-452-5	-	6-4-7301	-	-
-28	101-15-7-1X	101-19-9-1X	53-452-5	-	5-4-6321-1	101-17-2-84X	-
-29	101-15-7-1X	101-19-8-1X	53-452-5	-	5-1-6471X	101-17-2-84X	-
-30	101-15-7-1X	40-19-39-1X	53-452-6	-	-	-	-
-31	101-15-7-1X	101-19-9-1X	53-452-5	-	6-4-7301-1	101-17-2-84X	-
-32	101-15-7-1X	101-19-8-1X	53-452-5	-	6-1-5851X	101-17-2-84X	-
-33	101-15-7-1X	201-37-7	-	-	-	-	-
-34	101-15-5-1X	40-19-43-2X	53-452-5	-	5-4-6321-1	-	-
-35	101-15-5-1X	40-19-41-2X	53-452-5	-	-	-	-
-36	101-15-5-1X	40-19-43-2X	53-452-5	-	-	-	-
-37	101-15-5-1X	40-19-43-2X	53-452-5	-	-	-	-
-38	101-15-5-1X	40-19-41-2X	53-452-5	-	-	-	-
-39	101-15-5-1X	40-19-43-2X	53-452-5	-	6-4-7301-1	101-17-2-91X	-
-40	101-15-7-1X	40-19-43-2X	53-452-5	-	170-4-541-1	-	-
-41	101-15-5-1X	101-19-9-1X	53-452-5	-	6-4-7301-1	-	-
-42	101-15-5-1X	101-19-8-1X	53-452-5	-	-	-	-
-43	101-15-7-1X	40-19-43-2X	53-452-5	-	6-4-7301-1	101-17-2-91X	-
-44	101-15-7-1X	40-19-43-2X	53-452-5	-	170-4-541-1	-	-
-45	101-15-5-1X	201-37-7	53-452-5	-	-	-	-
-46	101-15-5-1X	201-37-7	53-452-5	-	-	-	-

BACK-TAPER CHANGE OVER KITS

FOR MODELS: ES52-7A, ES52-7B, ESO65-7A, ESO66-7B

Kits will be available November 25, 1996

ES52-7A, ES52-7B, 6/7 Shift Rail, Kit 101-35-21-3X

		<u>Old Drive Gear</u>	<u>New Drive Gear</u>	<u>Order Kit #</u>
Drive Gear	101-35-21	101-35-7	101-35-21	101-35-21-3X
M/S 6th Gear	101-8-23	101-35-8	101-35-22	101-35-22-3X
Synchronizer	101-464-1X	101-35-14	101-35-24	101-35-24-3X
Clutch Gear	49-466-4	101-35-15	101-35-25	101-35-25-3X
Shift Rail Assembly	101-69-1X			
Poppet Plunger	101-438-9			
Poppet Spring	101-72-7			
Identification Tag	NP-204			

Above Kits are the same except for the Drive Gear.
See Kit part list left.

ESO65-7A, ESO66-7B, 6/7 Shift Rail, Kit 101-35-19-3X

		<u>Old Drive Gear</u>	<u>New Drive Gear</u>	<u>Order Kit #</u>
Drive Gear	101-35-19	101-35-4	101-35-19	101-35-19-3X
M/S 6th Gear	101-8-22	101-35-10	101-35-23	101-35-23-3X
Synchronizer	101-464-1X	101-35-16	101-35-26	101-35-26-3X
Clutch Gear	49-466-4	101-35-17	101-35-27	101-35-27-3X
Shift Rail Assembly	101-69-11X			
Poppet Plunger	101-438-9			
Poppet Spring	101-72-7			
Identification Tag	NP-204			

Above Kits are the same except for the Drive Gear.
See Kit part list left.

ES52-7A, ES52-7B, ESO65-7A, ESO66-7B, 4/5 Shift Rail, Kit 101-8-24-3X

M/S 5th Gear	101-8-24
M/S 4th Gear	101-8-25
Synchronizer	101-464-2X
Clutch Gear	101-466-7
Shift Rail Assembly	101-69-2X
Poppet Plunger	101-438-9
Poppet Spring	101-72-7
Identification Tag	NP-204

ES52-7A, ESO65-7A, 2/3 Shift Rail, Kit 101-8-29-3X

M/S 3rd Gear	101-8-29
M/S 2nd Gear	101-8-27
Synchronizer	101-464-3X
Mainshaft	101-362-7
Shift Rail Assembly	101-69-3X
Poppet Plunger	101-438-9
Poppet Spring	101-72-7
Identification Tag	NP-204

ES52-7B, ESO66-7B, 2/3 Shift Rail, Kit 101-8-28-3X

M/S 3rd Gear	101-8-28
M/S 2nd Gear	101-8-26
Synchronizer	101-464-3X
Mainshaft	101-362-7
Shift Rail Assembly	101-69-3X
Poppet Plunger	101-438-9
Poppet Spring	101-72-7
Identification Tag	NP-204

Note: Due to the nature of back-tapered clutching teeth, the straight toothed parts are not interchangeable with back-tapered parts. The entire kit must be installed so that a given rail has parts that have either straight toothed clutching teeth or back-tapered clutching teeth. Do not mix straight toothed parts with back-tapered parts.



14700 Helm Court
Plymouth, MI 48170
(800) 401-9866 or (734) 456-3770
Fax: (734) 456-3739
www.ttcautomotive.com

