

# **SPICER®**

WEATHERLY INDEX 084

**T210-CM55**

January 1991

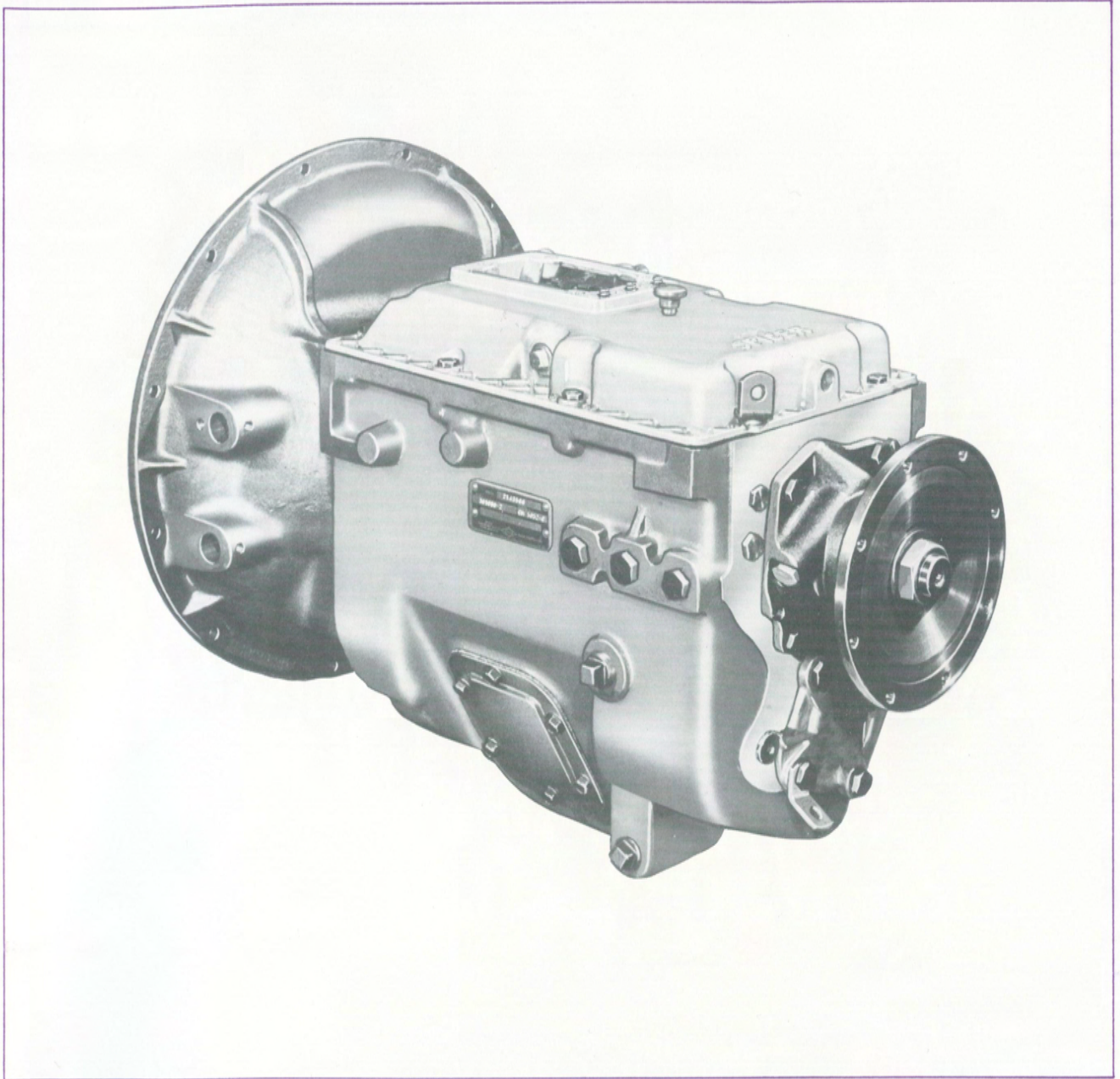
**Supersedes T210-CM55**

Dated December 1982

**CM55 Series**

Main Transmission

Parts List



## **CM55 Series Main Transmission**



# MODEL CM55

## RATIO TABLE AND IDENTIFICATION

T210-CM55

### CONTENTS

RATIO TABLE and IDENTIFICATION.....	1
GEARS and RELATED PARTS.....	2-5
DRIVE GEAR GROUP.....	2
MAINSHAFT GROUP.....	2-3
COUNTERSHAFT GROUP.....	4-5
REVERSE IDLER GROUP.....	4-5
DRIVE GEAR TABLE.....	6
COMPANION FLANGE and END YOKES.....	7
CASE GROUP and RELATED PARTS.....	8-13
DRIVE GEAR BEARING CAP GROUP.....	8-9
CLUTCH HOUSING GROUP.....	8-9
CASE GROUP.....	8-9
MAINSHAFT REAR BEARING CAP GROUP.....	10-11
COUNTERSHAFT REAR BEARING CAP GROUP.....	10-11
MAINSHAFT REAR BEARING CAP CHART.....	10
DRIVE GEAR BEARING CAP CHART.....	12
CLUTCH HOUSING DIMENSIONS.....	13
SHIFTER HOUSING ASSEMBLY.....	14-15
REMOTE CONTROL ASSEMBLY.....	16-18
SHIFT LEVER and DOME ASSEMBLY.....	19
CLUTCH RELEASE and CODE TABLE.....	20-21
OVERHAUL KITS - MAJOR and MINOR.....	22-23
TABULATED BILLS OF MATERIAL.....	24-67
SUPERSESSSION and REPLACEMENT LIST - CM50 to ES60-5.....	68-77

### RATIO TABLE

#### MODELS 5500 and 5800 SERIES

SPEEDS	MODELS				
	5552-A	5552-B	5552-C	5552-D	5852-A
1st	7.15	7.15	7.15	7.15	6.56
2nd	3.87	4.20	4.20	3.87	3.55
3rd	2.36	2.72	2.50	2.10	1.93
4th	1.45	1.62	1.45	1.28	1.18
5th	1.00	1.00	1.00	1.00	1.00
Rev.	7.15	7.15	7.15	7.15	6.56

#### IDENTIFICATION

The Name Plate (NP-96) affixed to the LEFT side of the Transmission is stamped with information:

SERIAL

B/M No.  MODEL

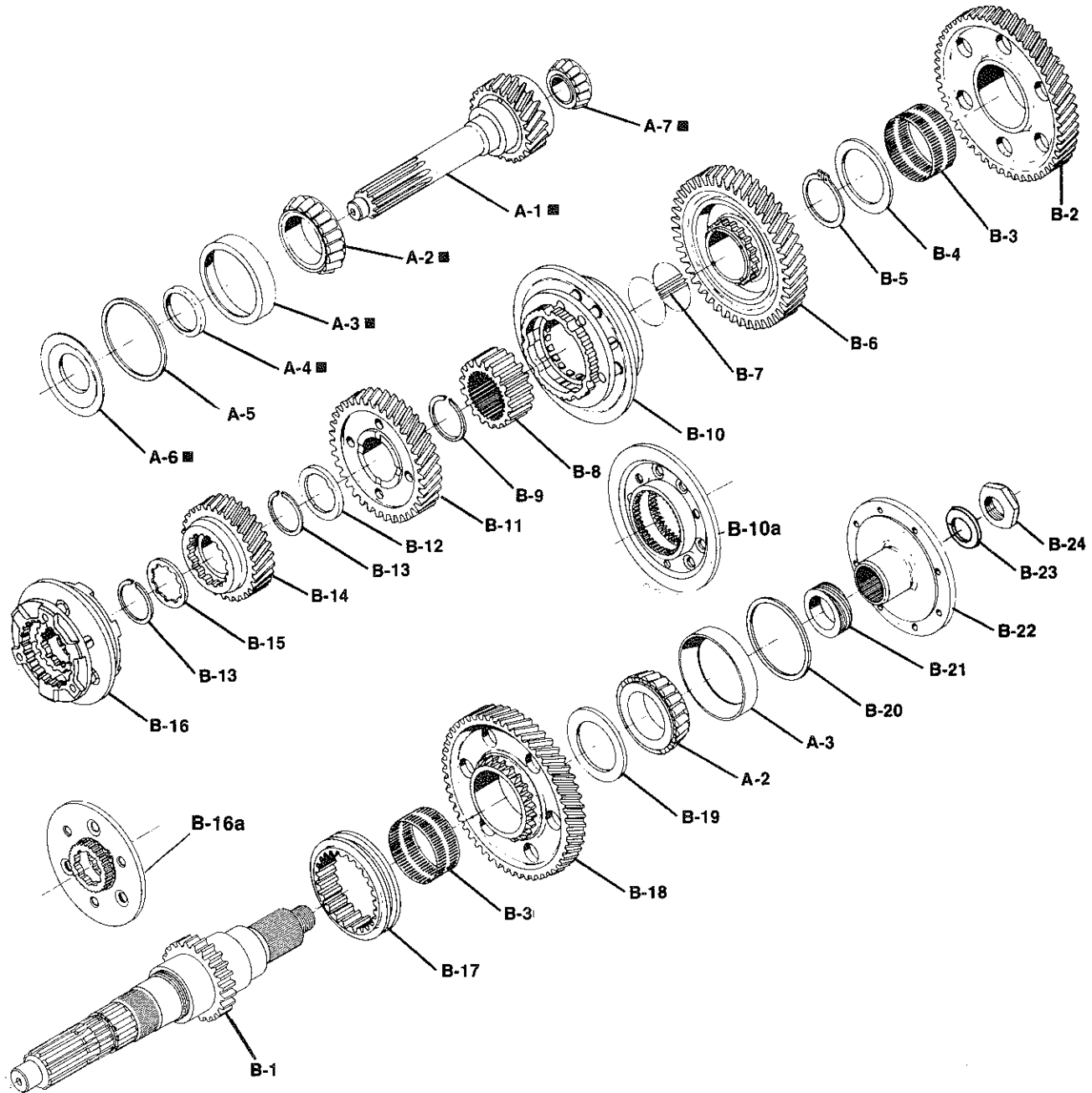
In requesting more information on these transmissions, furnish the B/M No. and the Serial Number.

Abbreviations used in this Parts List include:

- N.S. - Not Shown
- N.S.S. - Not Sold Separately
- N.R. - Not Required

# MODEL CM55

## GEARS and RELATED PARTS



Ref. No.	Part No.	Part Description	Qty.
<b>DRIVE GEAR GROUP – INPUT</b>			
A-1 ■	See Tab Bills	Gear – Main Drive (See table page 6)	1
A-2 ■	550930	Cone – Main Drive Gear Bearing	2
A-3 ■	550929	Cup – Main Drive Gear Bearing	2
A-4 ■	47-468-2 *	Baffle – Oil Ring Drive Gear	1
A-5	47-228-2-2 *	Spacer/Shim – Drive Gear Bearing	1
A-6 ■	47-468-1 *	Baffle – Bearing Cap	1
A-7 ■	550931	Cone – Drive Gear Pocket Bearing	1

\* Included in 313240-3X Kit.

■ Use 313240-3X Baffle and Shim Kit when any of these parts are replaced, since the end play will be affected. Recommended end play is .003" – .008".

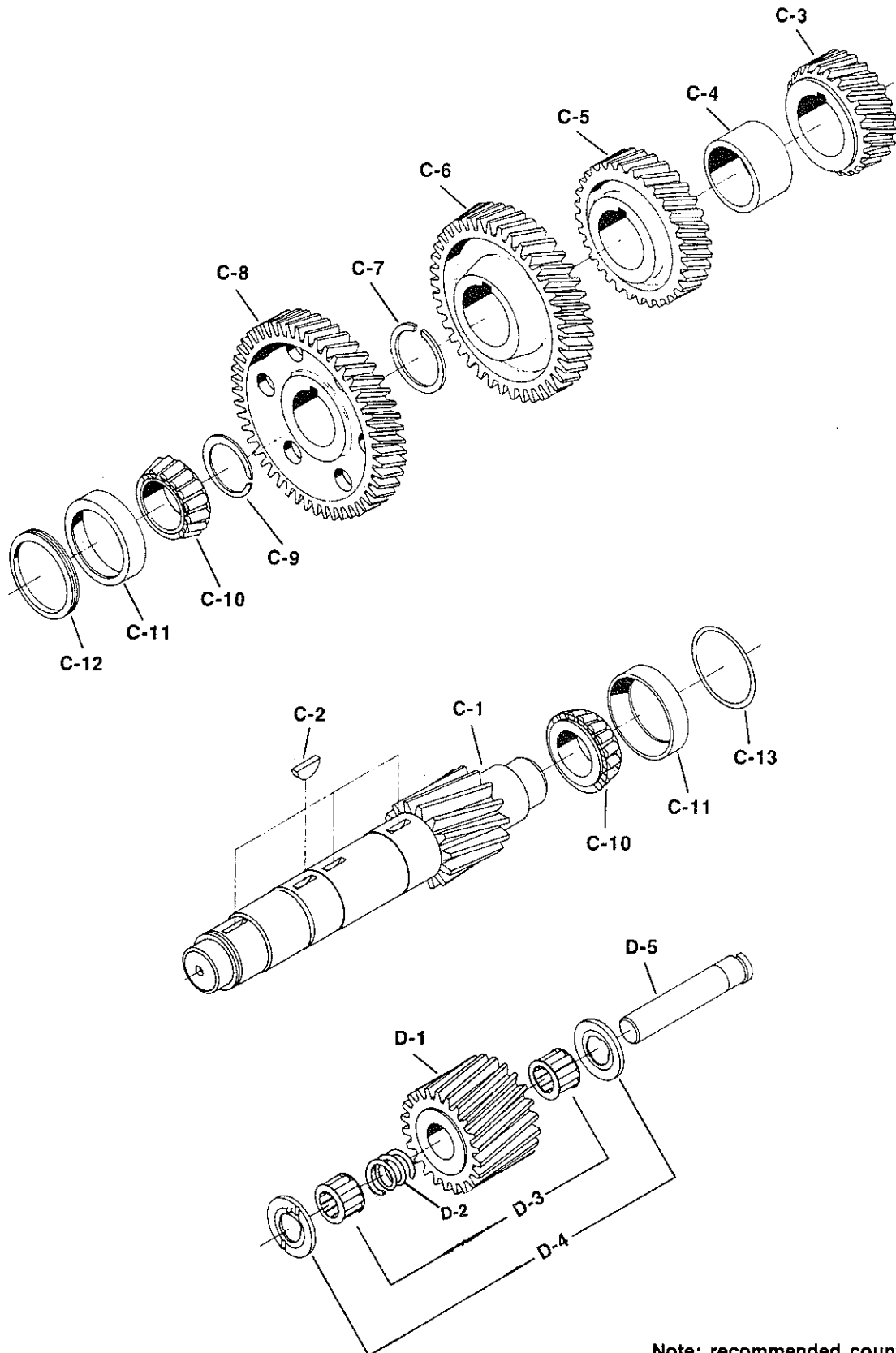
PARTS LISTED IN THIS CATALOG MAY NO LONGER BE AVAILABLE, USE WITH TRANSMISSION SUPERSEDING LIST.

Ref.No.	Part No.	Part Description	Qty.
		<b>MAINSHAFT GROUP - OUTPUT</b>	
B-1 ■	53-362-3	Mainshaft (2.00"-40 Fine Spline)	1
or	53-362-8	Mainshaft (1 3/4" - 10 Spline industrial)	1
B-2	53-8-9	Gear - 1st Speed (42T)	1
B-3	550932	Bearing - 1st & Rev. Gear Needle Assy.	2
B-4	330866	Thrust Washer - 1st Speed Gear	1
B-5	27-381-5	Snap Ring - 1st Speed Thrust Washer	1
B-6	53-8-10	Gear - 2nd Speed (36T) 5552A,5552D,5852A (Before S/N 2741653)	1
	53-8-24	Gear - 2nd Speed (36T) 5552A,5552D,5852A (Start & After S/N 2741653)	1
	53-8-12	Gear - 2nd Speed (37T) 5552B,5552C (Before S/N 2741653)	1
	53-8-30	Gear - 2nd Speed (37T) 5552B,5552C (Start & After S/N 2741653)	1
B-7	59-482-1-1X	Bearing Kit - 2nd Speed Needle (includes 61 Needles)	1
B-8	53-466-1	Gear - 2nd & 3rd Clutch (18T) (Before S/N 2741653)	1
or	59-466-3	Gear - 2nd & 3rd Clutch (40T) (Starting & After S/N 2741653)	1
B-9	46-381-1	Snap Ring - 2nd & 3rd Clutch Gear	1
B-10	313459X	Synchronizer - 2nd & 3rd (18T) (Before S/N 2741653)	1
or	313536X	Synchronizer - 2nd & 3rd (40T) (Starting & After S/N 2741653)	1
B-10a	53-465-6	Clutch Collar -(less Synchronizer)(Before S/N 2741653)	1
or	59-465-1	Clutch Collar - (less Synch.)(Starting & After S/N 2741653)	1
B-11	53-8-16	Gear - 3rd Speed (37T) 5552A (Before S/N 2741653)	1
or	53-8-28	Gear - 3rd Speed (37T) 5552A (Starting & After S/N 2741653)	1
	53-8-19	Gear - 3rd Speed (40T) 5552B (Before S/N 2741653)	1
or	53-8-32	Gear - 3rd Speed (40T) 5552B (Starting & After S/N 2741653)	1
	53-8-18	Gear - 3rd Speed (38T) 5552C (Before S/N 2741653)	1
or	53-8-34	Gear - 3rd Speed (38T) 5552C (Starting & After S/N 2741653)	1
	53-8-14	Gear - 3rd Speed (35T) 5552D,5852A (Before S/N 2741653)	1
or	53-8-26	Gear - 3rd Speed (35T) 5552D,5852A (Start & After S/N 2741653)	1
B-12	330818	Thrust Washer - 3rd & 4th Speed	1
B-13	53-381-2	Snap Ring - 3rd & 4th Thrust Washer	2
B-14	53-8-22	Gear - 4th Speed (29T) 5552A,5552C	1
	53-8-23	Gear - 4th Speed (31T) 5552B	1
	53-8-21	Gear - 4th Speed (27T) 5552D,5852A	1
B-15	1016-W	Thrust Washer - 4th Speed	1
B-16	313453X	Synchronizer - 4th & 5th Speed	1
or			
B-16a	53-466-3-1X	Clutch Gear - 4th & 5th (used in place of Synchronizer)	1
B-17	47-465-1	Clutch Collar - 1st & Rev.	1
B-18	53-8-1	Gear - Reverse (42T)	1
B-19	330867	Thrust Washer - Reverse Gear	1
B-20	313240-3X	Spacer & Shim Kit (to adjust Mainshaft end play)	1
B-21	See Tab Bills	Gear - Speedometer Drive	1
or	53-37-1	Spacer (used in place of Speedometer Drive Gear)	1
B-22	See Tab Bills	Companion Flange or End Yoke - U Joint (see table page 7)	1
B-23	53-205-1	Washer - 1 1/4" Flat	1
B-24	501200	Nut - Mainshaft (1 1/4"-18 Hex)	1

■Use 313240-3X Baffle and Shim Kit when any of these parts are replaced, since the end play will be affected. Recommended end play is .003"-.008".

# MODEL CM55

GEARS and RELATED PARTS



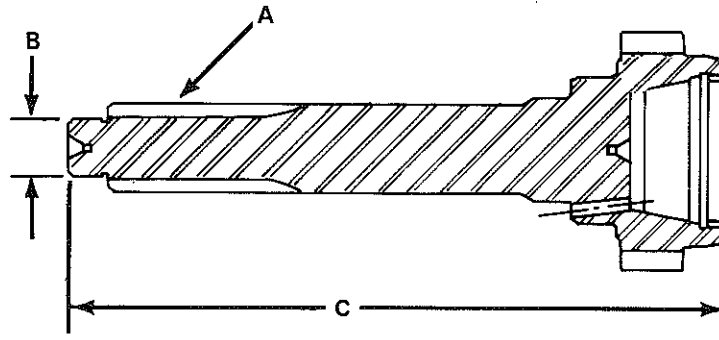
Note: recommended countershaft end play is .001"-.008"





Ref. No.	Part No.	Part Description	Qty.
<b>COUNTERSHAFT GROUP</b>			
C-1	53-30-3	Countershaft (12T)	1
C-2	500008-37	Woodruff Key	4
C-3	53-196-1	Gear - 2nd Speed (18T) 5552B,5552C	1
	53-196-3	Gear - 2nd Speed (19T) 5552A,5552D,5852A	1
C-4	46-37-5	Spacer - 2nd & 3rd Speed Gear	1
C-5	46-196-13	Gear - 3rd Speed (32T) 5552A	1
	46-196-29	Gear - 3rd Speed (30T) 5552B	1
	46-196-21	Gear - 3rd Speed (31T) 5552C	1
	46-196-17	Gear - 3rd Speed (34T) 5552D,5852A	1
C-6	46-196-38	Gear - 4th Speed (41T) 5552A,5552C	1
	46-196-35	Gear - 4th Speed (39T) 5552B	1
	46-196-40	Gear - 4th Speed (43T) 5552D,5852A	1
C-7	82-381-1	Snap Ring - 4th Speed Gear	1
C-8	47-1-1	Gear - Countershaft Drive (47T) 5552A,5552B,5552C,5552D	1
	47-1-3	Gear - Countershaft Drive (45T) 5852A	1
C-9	46-381-1	Snap Ring - Countershaft Drive Gear	1
C-10	550927	Bearing - Cone Countershaft	2
C-11	550375	Bearing - Cup Countershaft	2
C-12	47-37-3	Spacer - Front Bearing Countershaft	1
C-13	47-228-3	Shim - Countershaft Rear Bearing (.005" thick)	A/R
<b>REVERSE IDLER GROUP</b>			
D-1	59-5-1	Gear - Reverse Idler	1
D-2	97-37-1	Spacer - Reverse Idler Bearing	1
D-3	550886	Bearing - Roller Reverse Idler	2
D-4	974-W	Thrust Washer	2
D-5	63-60-1	Shaft - Reverse Idler	1

A/R - As Required



C	A	B	Drive
Overall Length	Spline Dia.-Teeth	Pilot Size	Gear Part No.

**23 Teeth for Models 5552**

11 15/16"	1 1/2"-10	.9837"	53-35-4-1X *
11 7/16"	1 3/8"-10	.9837"	53-35-11-1X *
11 5/8"	1 1/2"-10	.9837"	53-35-1-1X *
12 11/32"	1 1/2"-10	.9837"	53-35-8-1X *
12 9/16"	1 3/4"-10	1.1800"	53-35-5-1X *
12 1/8"	1 3/4"-None (Keyways)	.9837"	53-35-6-1X *
12 19/32"	1 1/2"-10	.9837"	53-35-10-1X *
13 5/64"	1 1/2"-10	.9837"	53-35-9-1X *
13 3/16"	1 3/4"-10	.9837"	53-35-3-1X *
13 3/16"	1 3/4"-10	1.1800"	53-35-2-1X *

**24 Teeth for Models 5852**

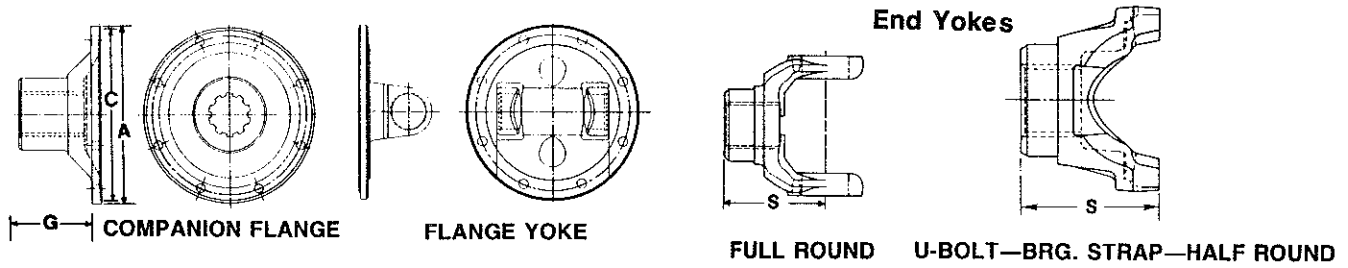
11 5/16"	1 1/2"-10	.9837"	53-35-15-1X *
11 5/8"	1 1/2"-10	.9837"	53-35-12-1X *
12 11/32"	1 1/2"-10	.9837"	53-35-18-1X *
12 9/16"	1 3/4"-10	1.1800"	53-35-16-1X *
12 19/32"	1 1/2"-10	.9837"	53-35-20-1X *
13 5/64"	1 1/2"-10	.9837"	53-35-19-1X *
13 3/16"	1 3/4"-10	.9837"	53-35-14-1X *
13 3/16"	1 3/4"-10	1.1800"	53-35-13-1X *

\* All Drive Gears are serviced as -1X part numbers as shown, which includes 313240-3X Baffle and Shim Kit. Drive Gears are not sold as the part number shown under "Drive Gear" column in the Tabulated Bill of Material section.



**MODEL CM55  
COMPANION FLANGES  
and END YOKES**

**T210-CM55**



Joint Series	A Flange Diameter	Part No. Companion Flange	Part No. Companion Flange Assembly	G End of Hub to Flange Face Length	C Pilot Dia. F-Female M-Male	Brake Size	Main Customer
1480/1550	8"	53-106-1	-	5 21/32"	M-6 7/16"	9x3 or 12x4	All
1480/1550	Rectang.	53-106-2	-	2 7/8"	F-3 3/4"	Air	All
1480/1550	-	4-1-6041	4-1-6051X +			9x3	GMC
1610	6 7/8"	5-1-6321	-	2 15/16"	F-6 5/8"	Air	All
1710	-	6-1-5751	-			Air	All

+ - Assy. includes bolts.

**End Yokes and Flanged End Yokes**

Series	Yoke Style	End Yoke Part No.	S End of Hub to C/L Length	Momentary Joint Angle (in degrees)	Brake Size	Main Customer
1480	U-Bolt	3-4-8781	4 11/64"	22 1/2	Air	Navistar/GM
1480	Brg. Strap **	3-4-8931-2	3 29/32"	23 1/2	Air	Ford only
1550	U-Bolt	4-4-4491	4 1/64"	21 1/2	Air	Navistar/GM
1550	Brg. Strap *	4-4-4491-1	4 1/64"	21 1/2	Air	Navistar/GM
1550	Brg. Strap **	4-4-4491-2	4 1/64"	21 1/2	Air	Ford only
1550	Full Rnd.	4-4-4591 @	6 7/64"	16	10 x 3	Ford only
1550	U-Bolt	4-4-4601 @	6 27/64"	22	12 x 4	Ford only
1550	U-Bolt	4-4-4611	4 11/64"	22 1/2	Air	Ford only
1550	Brg. Strap *	4-4-4611-1	4 11/64"	22 1/2	Air	Ford only
1550	Brg. Strap **	4-4-4611-2	4 11/64"	22 1/2	Air	Ford only
1550	Half Rnd.	4-4-6111-1X	7 1/32"	22	12 x 4	Navistar
1610	Full Rnd.	5-4-6321	4"	19	Air	Navistar/GM
1610	Half Rnd.	5-4-6321-1	4"	19	Air	Navistar/GM
1610	Full Rnd.	5-4-6481	4 11/64"	22 1/2	Air	Ford only
1610	Half Rnd.	5-4-6481-1	4 11/64"	22 1/2	Air	Ford only
1610	Full Rnd.	5-4-6491 @	6 21/32"	22	12 x 4	Ford only
1610	Half Rnd.	5-4-7611-1X	7 9/16"	22	12 x 4	Navistar
1710	Full Rnd.	6-4-7301	5 1/4"	33 1/2	Air	Navistar/GM
1710	Half Rnd.	6-4-7301-1	5 1/4"	33 1/2	Air	Navistar/GM

4-4-6111-1X and 5-4-7611-1X assemblies includes Brake Drum

@ - Flange Yokes

\* - with tapped holes

\*\* - with thru holes

Please note that most transmissions are not supplied with End fittings, since the OE prefers to supply them due to the many variables in Drive Line installation. End fittings shown above are those that apply to this particular model trans.



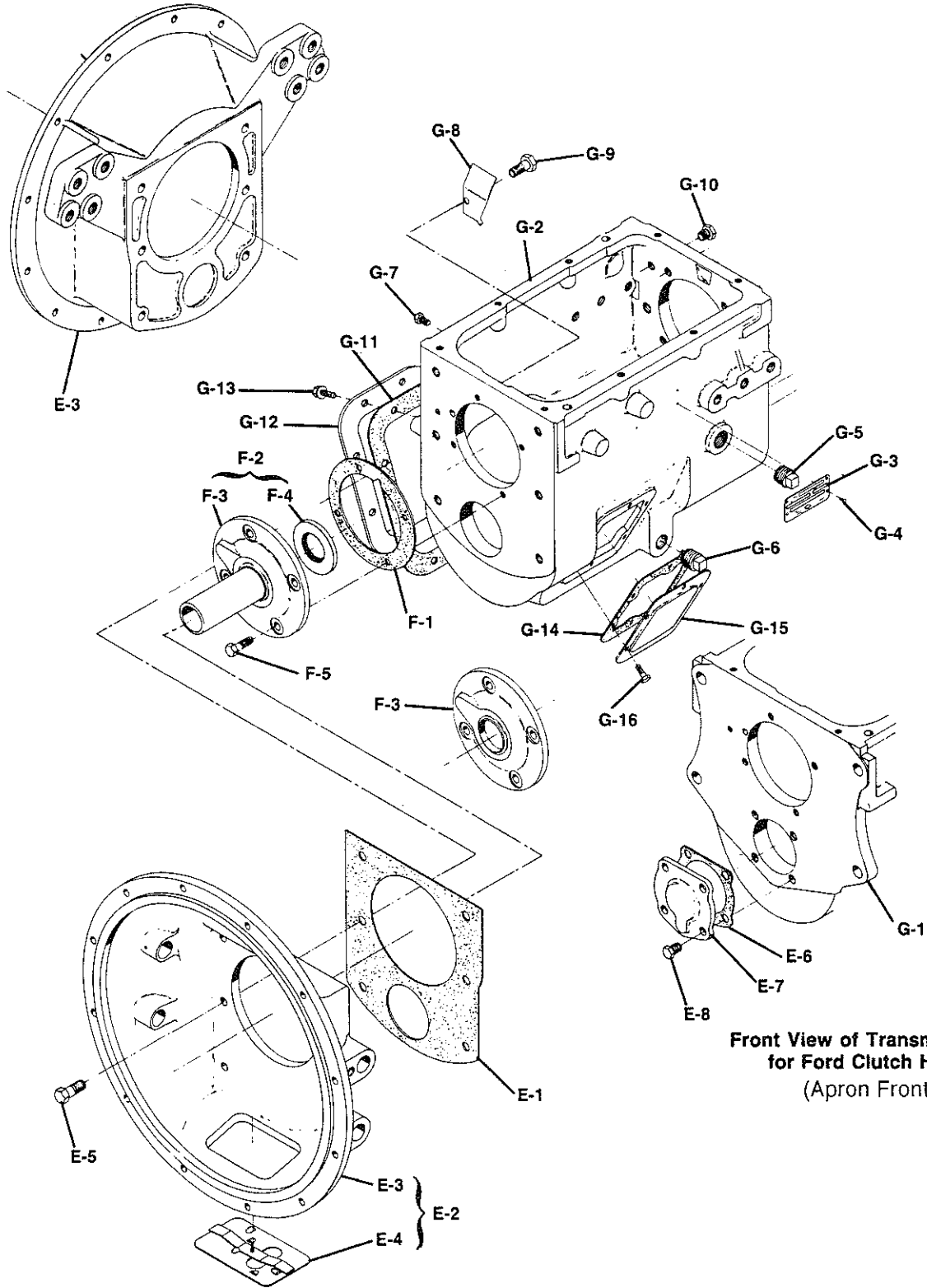
# MODEL CM55



T210-CM55

CASE GROUP and RELATED PARTS

Rear View of Clutch Housing  
with Nodal Mount



Front View of Transmission Case  
for Ford Clutch Housings  
(Apron Front)



Ref.No.	Part No.	Part Description	Qty.
<b>CLUTCH HOUSING GROUP</b>			
E-1	47-352-1	Gasket	1
E-2	See Tab Bills	Clutch Housing Assy. (includes E-3 thru E-4)(See table page 13)	1
E-3	N.S.S.	Clutch Housing	1
N.S.	128C-20	Bushing - (312256X & 312830X)	2
E-4	46-96-2-1X	Hand Hole Cover Assy.	1
or	47-96-1-1X	Hand Hole Cover Assy. (used for 47-518-4-1X only)	1
E-5	See Page 13	Bolt - Hex head self-locking	6
	545001	Size 1/2"-13 x 1 1/4"	
	545001-1	Size 1/2"-13 x 1 3/8"	
	545001-5	Size 1/2"-13 x 1 1/8"	
	545001-6	Size 1/2"-13 x 1 5/8"	
<b>COUNTERSHAFT FRONT BRG. CAP (Ford only - Case 59-15-5-2X)</b>			
E-6	47-223-5	Gasket - Countershaft Front Bearing Cap	1
E-7	60-22-28	Cap - Countershaft Front Bearing	1
E-8	330801-1	Bolt - 7/16"-14 x 7/8" hex head self-locking	4
<b>DRIVE GEAR BEARING CAP GROUP</b>			
F-1	47-223-1	Gasket	1
F-2	See Tab Bills	Cap & Seal Assy. (see table page 12)	1
F-3	N.S.S.	Cap - Drive Gear Bearing	1
F-4	60-463-10-1X	Oil Seal - (includes installation sleeves)	1
F-5	545002-1	Bolt - 3/8"-16 x 7/8" hex head self-locking	4
<b>CASE GROUP</b>			
G-1	See Tab Bills	Case Assembly (see table page 12)(incl. G-2 thru G-10 plus 545089-1)	1
G-2	N.S.S.	Case	1
G-3	NP-96	Nameplate	1
N.S.	NP-196	Patent Plate	1
G-4	252-SP	Pin - Nameplate	4
G-5	500100	Filler Plug	1
G-6	62-39-3	Drain Plug - magnetic square head	1
or	62-39-4	Drain Plug - magnetic recessed head	1
G-7	545002-10	Bolt - 3/8"-16 x 1/2" hex head (left hand side)	2
G-8	330923	Oil Trough	1
G-9	545009	Bolt - 5/16"-18 x 5/8" flanged head self-locking	1
G-10	307-D	Plug - 1/2"-13 x 1/2" hex head	2
and	266-D	Plug - 5/8"-11 x 7/16" hex head	2
N.S.	545089-1	Plug - 9/16"-12 x 3/4" hex head, brake anchor bar	6
G-11	97-324-2	Gasket - 8 bolt P.T.O. aperture cover	1
G-12	73-267-1	Cover - 8 bolt P.T.O. aperture	1
G-13	545012	Bolt - 7/16"-14 x 3/4" flanged hex head self-locking	8
G-14	97-324-1	Gasket - 6 bolt P.T.O. aperture cover	1
G-15	50-267-2	Cover - 6 bolt P.T.O. aperture	1
G-16	330800	Bolt - 3/8"-16 x 3/4" hex head self-locking	6

N.S.S. - Not Sold Separately

N.S. - Not Shown

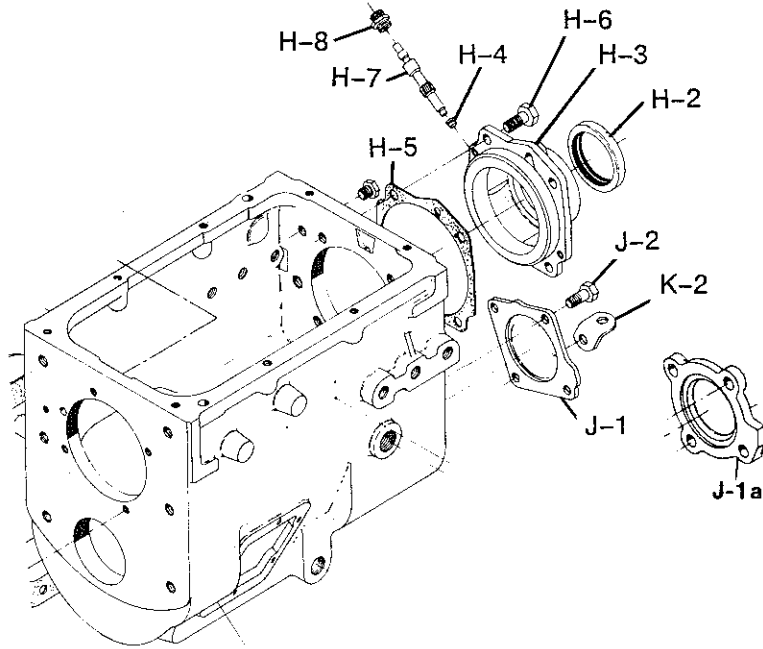
# MODEL CM55



T210-CM55

REAR, BEARING CAP GROUP and RELATED PARTS

H-1  
See Chart



## REAR BEARING CAP CHART

ASSEMBLY INCLUDES						
PART NUMBER	OIL SEAL	CASTING NUMBER	SPEEDO BUSHING	GASKET	BRAKE	USED BY
H-1	H-2	-	H-4	H-5	-	-
53-19-1-4X	60-463-8	C53-19-2	30-475-1	47-223-3	None	Navistar
53-19-3-4X	60-463-8	C53-19-4	30-475-1	53-223-1	Bendix	Navistar
53-19-7-4X	60-463-8	C53-19-8	60-475-1	53-223-1	12" x 3"	GMC
53-19-12-4X	60-463-8	C53-19-6	60-475-1	47-223-3	-	General
53-19-22-1X	63-463-1	C53-19-23	-	63-223-7	-	Ford
53-19-15-2X	63-463-1	C53-19-16	-	63-223-7	9" & 10" x 3"	Ford
53-19-17-2X	63-463-1	C53-19-18	-	63-223-7	12" x 4"	Ford

PARTS LISTED IN THIS CATALOG MAY NO LONGER BE AVAILABLE, USE WITH TRANSMISSION SUPERSEDING LIST.



# MODEL CM55

## CASE, BEARING CAP and RELATED PARTS

T210-CM55

Ref.No.	Part No.	Part Description	Qty.
<b>MAINSHAFT REAR BEARING CAP GROUP</b>			
H-1	See Tab Bills	Cap Assy. - Mainshaft Rear Bearing (See chart page 10)	1
H-2	60-463-8	Oil Seal - Mainshaft Rear Bearing Cap	1
or	63-463-1	Oil Seal - (Ford only)	1
H-3	N.S.S.	Cap - Mainshaft Rear Bearing	1
H-4	See Chart	Bushing - Speedometer	1
H-5	47-223-3	Gasket - Mainshaft Rear Bearing Cap	1
or	53-223-1	Gasket - (Navistar Bendix brake mounting)	1
or	63-223-7	Gasket - (Ford only)	1
H-6	545001	Bolt - 1/2" - 13 x 1 1/4" hex head self-locking	4
and	545008	Bolt - 5/8" - 11 x 1 1/4" hex head self-locking (for brake cap)	2
H-7	See Tab Bills	Gear - Speedometer driven (see info below on Speedo gears)	1
or	55-334-1	Plug - Speedometer hole (use when no driven gear)	1
H-8	55-454-1	Sleeve - 1 1/4" long speedo driven gear	1
or	44-473-1	Sleeve - 5" long speedo driven gear	1
or	97-454-2-1X	Sleeve - 1 1/4" long Speedo driven gear (with Seal)	1
<b>COUNTERSHAFT REAR BEARING CAP GROUP</b>			
J-1	59-22-1	Cap - Countershaft Rear Bearing	1
or			
J-1a	47-22-3	Cap - Countershaft Rear Bearing	1
J-2	545001	Bolt - 1/2" - 13 x 1 1/4" hex head self-locking	4
N.S.	47-223-2	Gasket - Countershaft Rear Brg. Cap (use with 47-22-3 Cap)	1
K-2	330564-3	Lift Hook - Countershaft Rear Bearing Cap	1
or	330564-1	Lift Hook - Countershaft Rear Bearing Cap	1

Most Transmissions are not supplied with Speedometer gears due the many variables involved in the proper calibration of Speedometers. The OEM supply the Speedo parts for their various Vehicles.

### SPEEDOMETER GEARS FOR MODEL CM55 & REMANUFACTURED CM50 (w/2.00" M/S)

Speedo Drive Gear	Speedo Driven Gear	Ratio	Main Customer
53-452-2 (5 teeth)	Supplied by OEM	-	Navistar only
53-452-3 (5 teeth)*	62-453-4 (15 teeth)	3 : 1	GMC only
53-452-4 (4 teeth)*	53-453-2 (12 teeth)	3 : 1	RVI & Mack
53-452-5 (Electronic)**	Not Required	-	Navistar
53-452-6 (Electronic)**	Not Required	-	Ford only

\* - When using mechanical speedo gears use speedo sleeve 55-454-1 or 97-454-2-1X (with oil seal) (see H-8 page 10)

\*\* - The electronic pick-up (Sensor) is supplied by the OEM. Signal Gears 53-452-5 & 53-452-6 both have (16) grooves.

Note: Ford supplied their own Mechanical Speedo Gears. None of the above Mechanical Speedo Gears will work in Ford units.

N.S.S. - Not Sold Separately

N.S. - Not Shown

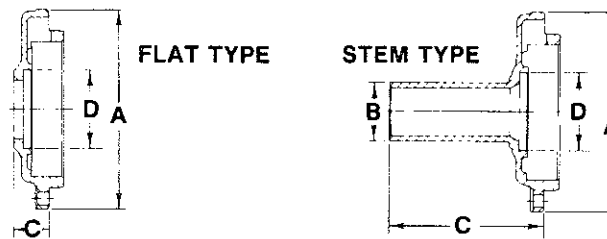
# MODEL CM55

## CASE and FRONT BEARING CAP TABLE with Clutch Applications

SPICER®



T210-CM55



FRONT BEARING CAP CHART

A Outside Diameter	B Stem Diameter	C Length	D Oil Seal Bore Diameter	FRONT BEARING CAP	
				Casting Number	Assembly Includes Oil Seal F-2
<b>FLAT TYPE</b> .....				<b>PULL TYPE RELEASE</b>	
6 <sup>3</sup> / <sub>8</sub> "	—	11 <sup>1</sup> / <sub>32</sub> "	2 <sup>1</sup> / <sub>2</sub> "	C47-19-2-1	53-19-11-1X
<b>STEM TYPE</b> — .....				<b>PUSH TYPE RELEASE</b>	
6 <sup>3</sup> / <sub>8</sub> "	1.940"	6 <sup>7</sup> / <sub>32</sub> "	2 <sup>1</sup> / <sub>2</sub> "	C47-19-83	47-19-74-1X
6 <sup>3</sup> / <sub>8</sub> "	1.872"	5 <sup>11</sup> / <sub>32</sub> "	2 <sup>1</sup> / <sub>2</sub> "	C47-19-70	47-19-78-1X
6 <sup>3</sup> / <sub>8</sub> "	1.872"	5 <sup>19</sup> / <sub>32</sub> "	2 <sup>1</sup> / <sub>2</sub> "	C47-19-70	47-19-82-1X
7 <sup>7</sup> / <sub>32</sub> "	1.940"	6 <sup>7</sup> / <sub>32</sub> "	2 <sup>1</sup> / <sub>2</sub> "	C47-19-76	47-19-73-1X
6 <sup>3</sup> / <sub>8</sub> "	1.872"	5 <sup>25</sup> / <sub>32</sub> "	2 <sup>1</sup> / <sub>2</sub> "	C47-19-70	47-19-77-1X
7 <sup>1</sup> / <sub>8</sub> "	1.808"	5 <sup>5</sup> / <sub>32</sub> "	2 <sup>1</sup> / <sub>2</sub> "	C47-19-81	47-19-79-1X
6 <sup>3</sup> / <sub>8</sub> "	2.246"	5 <sup>13</sup> / <sub>16</sub> "	2 <sup>1</sup> / <sub>2</sub> "	C47-19-71	47-19-80-1X

## CASE TABLE

NEW CASE ASSEMBLY G-1 *	OLD CASE ASSEMBLY G-1	CASE (N.S.S.) CASTING NO.	OIL TROUGH G-8	(4) PINS G-4 NAME PLATE G-3	OIL PLUG		CASE PLUG			BRAKE ANCHOR BAR PLUG
					FILLER G-5	DRAIN G-6	SIDE G-7	REAR G-10	REAR G-10	
59-15-1-3X	47-15-22-2X	C59-15-2	330923	NP-96	500100	62-39-4	500897-10	307-D	307-D	545089-1
59-15-5-3X (Apron Front)	47-15-14-2X	C59-15-2	330923	NP-96	500100	62-39-4	500897-10	307-D	307-D	545089-1
59-15-7-3X	47-15-17-2X	C59-15-4-1	330923	NP-96	500100	62-39-3	545002-10	307-D	266-D	-
59-15-9-4X	47-15-13-2X 47-15-13-3X 47-15-19-2X 47-15-19-3X	C59-15-4	330923	NP-96	500100	62-39-3	-	307-D	266-D	545089-1
59-15-10-3X	47-15-20-2X	C59-15-4	330923	NP-96	500100	62-39-3	545002-10	307-D	266-2	545089-1

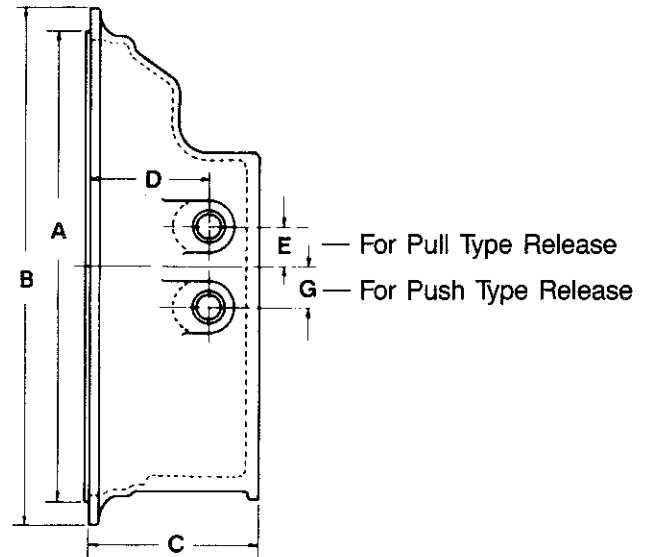
\* Assembly includes the 59-22-1 Countershaft Rear Bearing Cap

Bolt G-9 for Oil Trough is part number 545009.

N.S.S. - Not Sold Separately

PARTS LISTED IN THIS CATALOG MAY NO LONGER BE AVAILABLE, USE WITH TRANSMISSION SUPERSEDING LIST.

SAE		
Size No.	A Pilot Dia.	B O.D.
1	20 <sup>1</sup> / <sub>8</sub> "	21 <sup>3</sup> / <sub>4</sub> "
2	17 <sup>5</sup> / <sub>8</sub> "	19 <sup>1</sup> / <sub>4</sub> "
3	16 <sup>1</sup> / <sub>8</sub> "	17 <sup>3</sup> / <sub>4</sub> "



CLUTCH HOUSING					RELEASE SHAFT HOLE				Use With Bolt E-5
Service Assembly No. E-2	Bushing Number	Casting Part Number	S A E	C Length	Dia.	C/L Front Face	D E Above C/L	G Below C/L	
46-518-13-1X <sup>Ⓢ</sup>	—	C46-518-14	2	4 <sup>3</sup> / <sub>4</sub> "	—	—	—	—	545001-5
46-518-21-1X	—	C102C-477	3	5 <sup>1</sup> / <sub>16</sub> "	1"	3" 2 <sup>17</sup> / <sub>32</sub> "	1 <sup>1</sup> / <sub>2</sub> " —	— 2 <sup>5</sup> / <sub>8</sub> "	545001-5
46-518-22-1X	—	C102C-530-1	2	5 <sup>1</sup> / <sub>16</sub> "	1"	3" 2 <sup>17</sup> / <sub>32</sub> "	1 <sup>1</sup> / <sub>2</sub> " —	— 2 <sup>5</sup> / <sub>8</sub> "	545001-5
46-518-23	—	C46-518-18-1	2	5 <sup>5</sup> / <sub>8</sub> "	1"	2 <sup>3</sup> / <sub>4</sub> " 2 <sup>3</sup> / <sub>4</sub> "	3" —	— 3"	545001
47-518-4-1X	—	Special	2	6 <sup>5</sup> / <sub>8</sub> "	1"	3 <sup>3</sup> / <sub>4</sub> "	1 <sup>1</sup> / <sub>2</sub> "	—	545001-1
47-518-5	—	C47-518-6	2	6 <sup>1</sup> / <sub>2</sub> "	1 <sup>1</sup> / <sub>8</sub> "	2 <sup>19</sup> / <sub>32</sub> "	—	2 <sup>1</sup> / <sub>2</sub> "	545001-6
47-518-10-1X	—	C47-518-11	2	4 <sup>3</sup> / <sub>4</sub> "	—	—	—	—	545001-5
312256X <sup>Ⓢ</sup>	128C-20	C46-518-16	2	6"	1"	3 <sup>5</sup> / <sub>8</sub> "	—	2 <sup>1</sup> / <sub>2</sub> "	545001-5
312830X	128C-20	C102C-530-1	2	5 <sup>1</sup> / <sub>16</sub> "	1"	2 <sup>17</sup> / <sub>32</sub> "	—	2 <sup>5</sup> / <sub>8</sub> "	545001-5

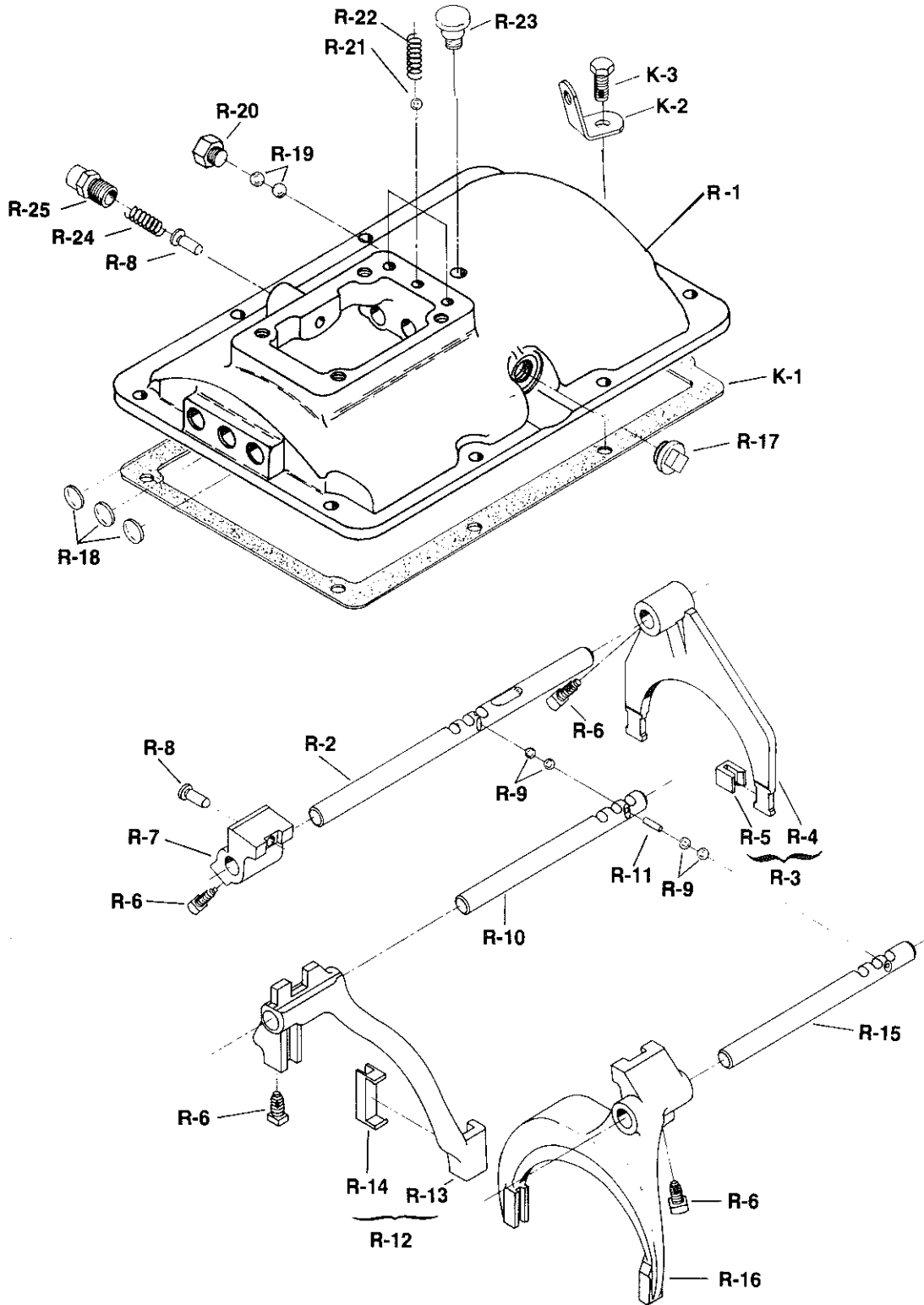
<sup>Ⓢ</sup>Nodal Mount

# MODEL CM55

## SHIFTER HOUSING ASSEMBLY



T210-CM55







**MODEL CM55  
SHIFTER HOUSING ASSEMBLY**

**T210-CM55**

Ref.No.	Part No.	Part Description	Qty.
	See Tab Bills	<b>SHIFTER HOUSING ASSEMBLY</b>	1
R-1	47-16-1-1	Shifter Housing	1
R-2	47-67-1	Rod - 1st and Reverse Shift	1
R-3	59-66-1-1X	Fork & Clip Assy. - 1st and Reverse Shift	1
R-4	N.S.S.	Fork - 1st and Reverse Shift	1
R-5	46-486-2	Clip - Shift Fork	2
R-6	330639	Bolt - 3/8"-24 x 3/4" square head self-locking	4
R-7	53-354-1	Bracket - 1st and Reverse Shift Rod	1
R-8	62-438-2	Pin - 1st and Reverse shift finger plunger	2
R-9	50-80-1	Ball - Shift rod poppet and interlock	4
R-10	46-67-5	Rod - 2nd and 3rd shift	1
R-11	277-SP	Pin - Interlock	1
R-12	53-66-3-1X	Fork - 2nd and 3rd Shift	1
R-13	N.S.S.	Shift Fork	1
R-14	53-486-1	Clip - Shift Fork	2
R-15	47-67-2	Rod - 4th and 5th shift	1
R-16	53-66-1	Fork - 4th and 5th shift	1
R-17	545021	Plug - interlock	1
R-18	330894	Expansion plug - 3/4" (aluminum)	3
R-19	50-80-4	Ball - backup switch	2
R-20	330366	Plug - backup switch hole	1
R-21	50-80-1	Ball - Shift Rod Poppet	3
R-22	47-72-1	Spring - Shift rod poppet	3
R-23	312268	Breather Assembly	1
R-24	See Chart	Spring - shift finger plunger 1st and Reverse	1
R-25	38P-1	Retainer - shift finger plunger 1st and Reverse	1
<b>PARTS LISTED BELOW ARE INCLUDED IN ASSEMBLY</b>			
K-1	47-155-1	Gasket - shifter housing	1
K-2	330564-1	Lift Hook - shifter housing	2
K-3	545002	Bolt - 3/8"-16 x 1" hex head self-locking	6
and	545002-4	Bolt - 3/8"-16 x 1 1/8" hex head self-locking (for lift hook)	2
N.S.	313262X °	Neutral Start Switch Actuator Kit (see tab bills)	1

**1st and Reverse Spring Chart (Ref. No. R-24)**

Shifter Housing Assy.	Shifter Plunger Spring	Spring Load	Free Length	Lock-out <sup>■</sup> Sleeve used	Position <sup>■</sup> Locked out
47-16-1-8X	62-72-8	60#	2 1/64"	-	-
47-16-1-11X	30-72-6	28#	2 1/8"	-	-
47-16-1-13X	30-72-6	28#	2 1/8"	-	-
47-16-1-12X	82-72-3	15#	2 3/8"	-	-
47-16-1-16X	62-72-8	60#	2 1/64"	-	-
47-16-1-17X	62-72-8	60#	2 1/64"	46-203-1	Reverse
47-16-1-18X	62-72-8	60#	2 1/64"	46-203-3	5th speed

° Does not include Start Switch

N.S. - Not Shown N.S.S. - Not Sold Separately

■ 47-16-1-17X & -18X have certain positions locked out.

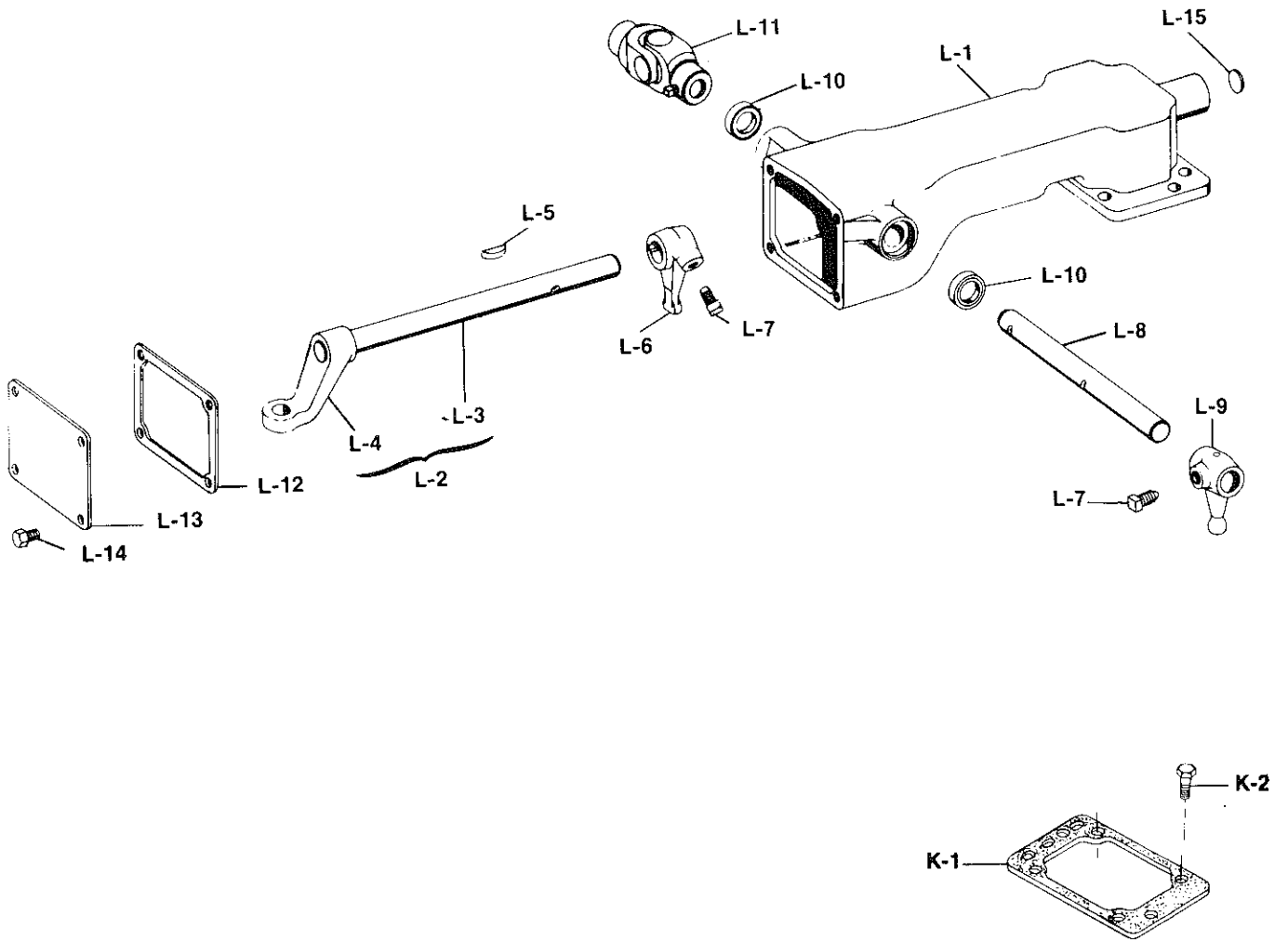
See the Tab Bills for which B/M's use these Housings.

# MODEL CM55

## REMOTE CONTROL ASSEMBLY High Rod Type



T210-CM55



PARTS LISTED IN THIS CATALOG MAY NO LONGER BE AVAILABLE, USE WITH TRANSMISSION SUPERSEDING LIST.



# MODEL CM55

## REMOTE CONTROL ASSEMBLY High Rod Type

T210-CM55

Ref. No.	Part Number	Part Description	47-16-8-2X	47-16-8-3X	47-16-8-4X	47-16-8-5X	47-16-9-2X	47-16-9-3X	47-16-10-4X	311656-11X
	See Tab Bills	<b>Cover and Joint Assembly—Remote Control</b>	1	1	1	1	1	1	1	1
	47-16-8-1X	Cover Assembly (Casting No. 62-16-78)	1	1	1	1	—	—	—	—
	47-16-9-1X	Cover Assembly (Casting No. 62-16-78-1X)	—	—	—	—	1	1	—	—
	47-16-10-1X	Cover Assembly (Casting No. 62-16-96)	—	—	—	—	—	—	1	—
	311860X	Cover Assembly (Casting No. 62-19-96)	—	—	—	—	—	—	—	1
L-1	N.S.S.	Remote Control Cover	1	1	1	1	1	1	1	1
N.S.	82-24-3	Bushing—Remote Control Cover	4	4	4	4	4	4	4	4
L-2	310647X	Shift Finger Rod and Bracket Assembly	1	1	1	1	—	—	—	—
or	310879X	Shift Finger Rod and Bracket Assembly	—	—	—	—	1	1	—	—
or	311661X	Shift Finger Rod and Bracket Assembly	—	—	—	—	—	—	1	1
L-3	N.S.S.	Rod—Shift Finger	1	1	1	1	1	1	1	1
L-4	N.S.S.	Bracket—Shift Finger Rod	1	1	1	1	1	1	1	1
L-5	500007-19	Woodruff Key—#11	1	1	1	1	1	1	1	1
L-6	62-6-24	Finger—Inner Shift	1	1	1	1	1	1	1	1
L-7	545011	Bolt—7/16"-20 x 7/8" Head Hex Self-locking	2	2	2	2	2	2	2	—
or	545063	Bolt—7/16"-20 x 13/16" Square Head Self-locking	—	—	—	—	—	—	—	2
L-8	82-65-5	Rod—Remote Control Shift	1	1	1	1	1	1	—	—
or	82-65-22	Rod—Remote Control Shift (counter sunk spots at 90 deg.)	—	—	—	—	—	—	1	1
L-9	82-6-7	Finger—Outer Shift	1	1	1	1	1	1	1	1
L-10	28P-19	Seal—Remote Control Shift Rod	2	2	2	2	2	2	2	2
L-11	10380-SF	U-Joint Assembly—Control	1	1	—	—	1	1	—	1
L-12	82-118-1	Gasket—Aperture Cover	1	1	1	1	1	1	1	1
L-13	82-96-1	Aperture Cover	1	1	1	1	1	1	1	1
L-14	545005-1	Bolt—5/16"-18 x 5/8" Hex Head Self-locking	4	4	4	4	4	4	4	4
L-15	500166-16	Expansion Plug—1 1/16"	1	1	1	1	1	1	1	1
N.S.	311903X	Boot Kit—Remote Control	—	1	—	1	—	1	—	—
N.S.	82-483-1	Boot	—	1	—	1	—	1	—	—
N.S.	82-483-2	Boot—cup type	—	1	—	1	—	1	—	—
N.S.	LW-3	Lockwire	—	3	—	3	—	3	—	—
		<b>Parts Listed below are not included in Assembly</b>								
K-1	62-155-7	Gasket—Shifter Housing to Control Cover	1	1	1	1	1	1	1	1
K-2	545028-4	Bolt—7/16"-14 x 1 1/4" Hex Head Self-lockint	4	4	4	4	4	4	4	4

N.S.—Not Shown

N.S.S.—Not Sold Separately

PARTS LISTED IN THIS CATALOG MAY NO LONGER BE AVAILABLE, USE WITH TRANSMISSION SUPERSEDING LIST.

# MODEL CM55

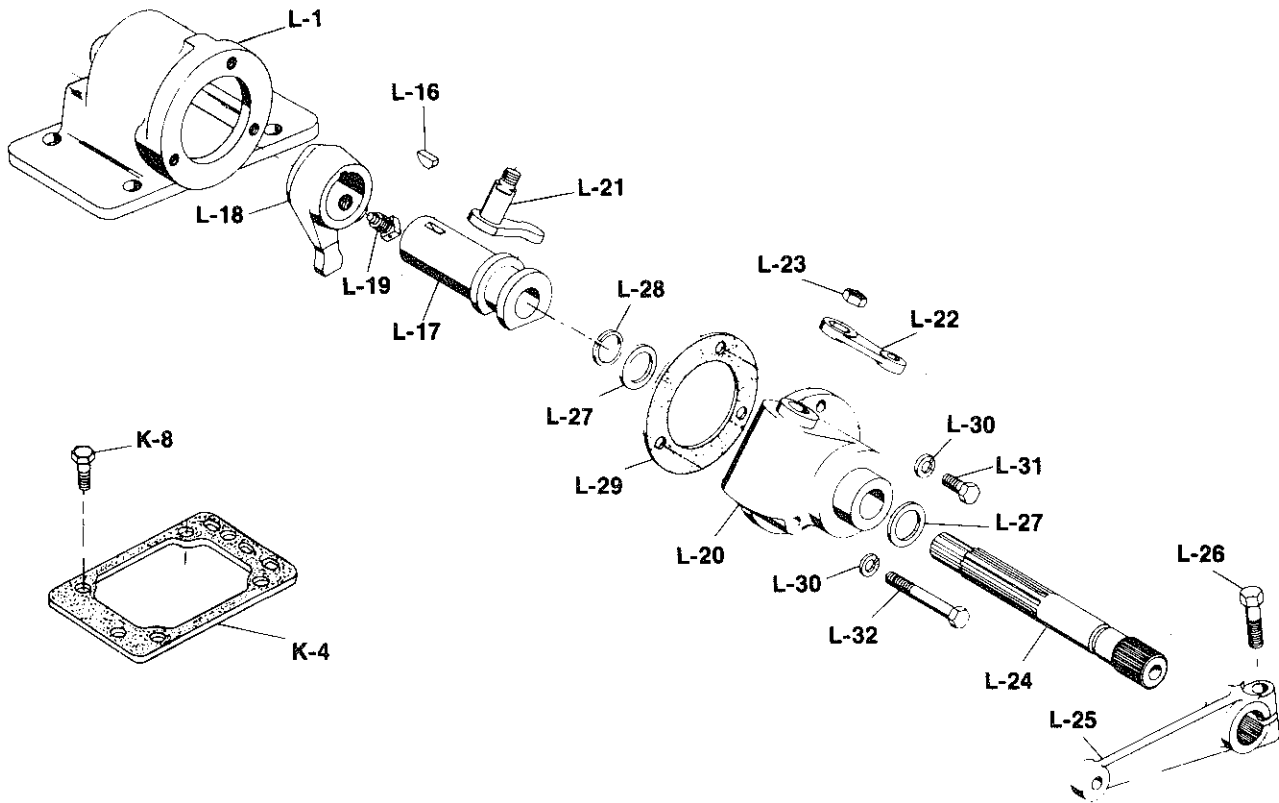
## REMOTE CONTROL ASSEMBLY

Two Lever Type — Cable or Rod Control

SPICER®

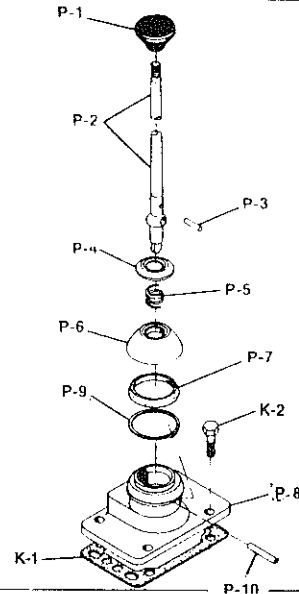


T210-CM55



Ref. No.	Part Number	Part Description	Qty.
		<b>REMOTE CONTROL COVER ASSEMBLY (See Tab Bills)</b>	
L-1	311528-7X	Remote Control Cover	1
	47-16-13		1
L-16	500007-17	Woodruff Key #91	1
L-17	62-65-26	Shaft—inner shift finger	1
L-18	62-6-30	Shift Finger—inner	1
L-19	545063	Bolt— $\frac{7}{16}$ "-20 x $\frac{13}{16}$ " hex head self-locking	1
L-20	62-16-92	End Cover—remote control	1
L-21	310926X	Cam and Stud Assembly—selection lever	1
L-22	62-6-59	Lever—upper selection	1
L-23	500381-4	Nut— $\frac{7}{16}$ "-20	1
L-24	62-65-27	Rod—outer shift lever	1
L-25	47-6-1	Lever—outer shift	1
L-26	545002-7	Bolt— $\frac{3}{8}$ "-16 x $1\frac{1}{2}$ "	1
L-27	258-W	Washer—shift lever rod	2
L-28	62-381-13	Snap Ring	1
L-29	62-155-11	Gasket—end cover	1
L-30	500357-10	Lock Washer $\frac{5}{16}$ "	1
L-31	545005-2	Bolt— $\frac{5}{16}$ "-18 x $\frac{7}{8}$ "	2
L-32	500397-22	Bolt— $\frac{5}{16}$ "-18 x $2\frac{1}{2}$ "	1
		<b>PARTS LISTED BELOW ARE NOT INCLUDED IN ASSEMBLY</b>	
K-4	62-155-7	Gasket—shifter housing to control cover	1
K-8	545028-4	Bolt— $\frac{7}{16}$ "-14 x $1\frac{1}{4}$ " hex head self-locking	4

PARTS LISTED IN THIS CATALOG MAY NO LONGER BE AVAILABLE, USE WITH TRANSMISSION SUPERSEDING LIST.



Ref. No.	Part Number	Part Description	47-16-3-1X	47-16-3-3X	47-16-3-25X	47-16-4-7X	47-16-5-9X	47-16-5-21X	47-16-5-22X	47-16-5-38X	47-16-7-10X	47-16-7-31X	47-16-7-29X
	<b>See Tab Bills</b>	<b>Lever and Dome Assembly—Shift</b>											
P-1	39Q-27	Handle—Shift Lever	1	1	1	1	1	1	1	1	1	1	1
P-2	25Q-1121	Shift Lever—26 1/4" Straight	1	1						1			
	25Q-1122	Shift Lever—29 1/4" Straight						1					
	25Q-1621	Shift Lever—30" Straight						1		1			
	25Q-1537	Shift Lever—35" Straight						1					
	25Q-1896	Shift Lever—28" Bent		1									
	25Q-2075	Shift Lever—29 3/16" Bent					1						
	25Q-2163	Shift Lever—31 29/64" Bent									1		
	25Q-2330	Shift Lever—Lower Lever—5.20" Straight										1	
	25Q-2388	Shift Lever—24 5/8" Bent			1								
	25Q-2316	Shift Lever—Lower Lever 9 7/16" Straight											1
	25Q2315	Shift Lever—26 1/4" Bent											1
N.S.	55Q-5	Grommet—Shift Lever (boot)						1	1	1		1	
N.S.	55Q-14	Grommet—Shift Lever (boot)											1
	47-16-3X	Dome Assembly—2 5/8" overall height	1	1	1								
	47-16-4X	Dome Assembly—3 5/32" overall height				1							
	47-16-5X	Dome Assembly—3 5/8" overall height					1	1	1	1			
	47-16-7X	Dome Assembly—5 5/32" overall height									1	1	1
	47-16-7-28X	Dome Assembly—5 5/32" overall height											1
P-3	286-SP	Pin—Shift lever collar	1	1	1	1	1	1	1	1	1	1	1
P-4	55Q-7	Collar—Compression	1	1	1	1	1	1	1	1	1	1	1
P-5	56Q-25	Spring—Compression	1	1	1	1	1	1	1	1	1	1	1
P-6	54Q-13	Cup—Compression	1	1	1	1	1	1	1	1	1	1	1
P-7	69Q-6	Washer—Friction	1	1	1	1	1	1	1	1	1	1	1
P-8	47-16-3	Dome—Shift Lever (C62-16-24-1)	1	1	1								
	47-16-4	Dome—Shift Lever (C62-16-30-1)				1							
	47-16-5	Dome—Shift Lever (C62-16-67)					1	1	1	1			
	47-16-7	Dome—Shift Lever (C62-16-125)									1	1	1
P-9	62-381-7	Snap Ring—Rock Shaft	1	1	1	1	1	1	1	1	1	1	1
P-10	53Q-15	Shaft—Shift lever rock	1	1	1	1	1	1	1	1	1	1	1
N.S.	500008-15	Key—Shift Lever Upper End											1
N.S.	500389-7	Nut—Shift Lever Upper End											1
N.S.	500024-7	Cotter Pin—Upper Shift Lever											1
		<b>Parts not included in Assembly</b>											
K-1	62-155-7	Gasket—Dome to Shifter Housing	1	1	1	1	1	1	1	1	1	1	1
K-2	545028-4	Screw—7/16"-14 x 1 1/4" Hex head self-locking	4	4	4	4	4	4	4	4	4	4	4

N.S.—Not Shown

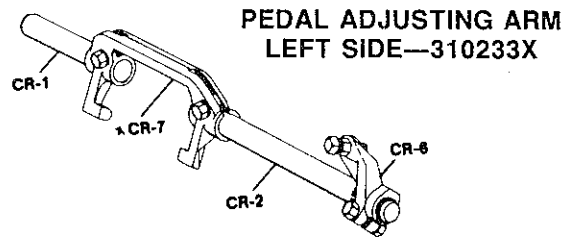
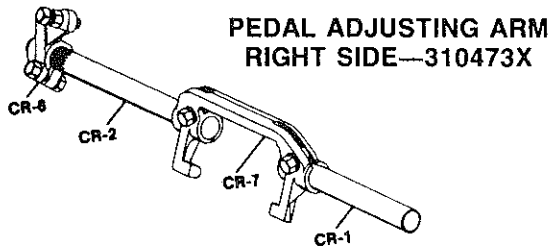
# MODEL CM55

SPICER®



T210-CM55

## CLUTCH RELEASE CODE TABLE



### CR-1 SHORT SHAFT

Part No.	Length
106C-1071	4.062"
106C-1141	5.125"
106C-1142	6.125"
106C-1185	5.750"
106C-1216	4.750"
106C-1278	4.812"
106C-1360	5.312"
106C-1498	6.500"
106C-1544	7.000"
330601-1	6.250"

### CR-2 LONG SHAFT (Cont'd)

Part No.	Type	Length
106C-1083	RS-8	7.969"
106C-1094	RS-8	8.469"
106C-1123	RS-8	12.968"
106C-1169	RS-8	9.125"
106C-1315	RS-8	7.625"
106C-1367	RS-8	10.312"
106C-1375	RS-8	6.781"
106C-1417	RS-8	7.250"
106C-1422	RS-8	7.500"
106C-1490	RS-8	16.000"
106C-1515	RS-5	11.375"
106C-1529	RS-5	8.312"
330610-5	RS-8	9.469"
330610-11	RS-8	10.750"
46-510-9	RS-5	7.125"
330610-10	RS-8	9.500"



### CR-2 LONG SHAFT

Part No.	Type	Length
106C-438	RS-5	14.000"
106C-588	RS-5	7.000"
106C-617	RS-8	10.469"
106C-839	RS-8	11.469"
106C-939	RS-8	10.000"
106C-953	RS-8	9.750"
106C-959	RS-8	11.968"
106C-960	RS-8	8.719"
106C-1046	RS-8	8.968"
106C-1047	RS-8	9.469"

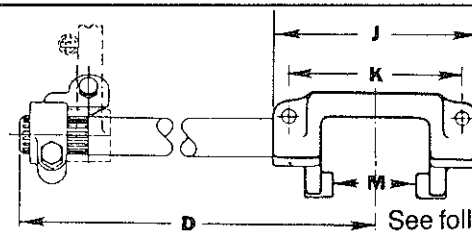
### CR-6 PEDAL ADJ. ARM

310233X	For Left Side Mtg.
310473X	For Right Side Mtg.
47-526-1-1X*	Lever Type 7/4"
310873X*	Lever Type 7/4"

\*Lever type can be used on either right or left side.

### THRU SHAFT (used with Push Type Clutch)

Part No.	Type	Length
106C-1566	Splined	19.125"
106C-1550	Keyed	16.375"
106C-1558	Keyed	19.000"
106C-1578	Splined	19.500"
49-510-1	Keyed	19.120"
97-510-2	Splined	19.313"



See following page for "D" dimensions.

### CLUTCH RELEASE YOKES

CR-7	Forging No.	Used With	Type	J	K	M
105C-64	F105C64	Spicer 15 1/2" SP	Pull	8.000"	6.500"	4.895"
105C-68	F105C99	Spicer 14" SP	Pull	7.125"	5.750"	4.132"
105C-117 <sup>1</sup>	F105C118	Spicer & Others	Push	8.375"	7.000"	4.885"
105C-124 <sup>2</sup>	F105C125	Spicer AL & AR	Push	3.750"	2.125"	2.885"
105C-132 <sup>2</sup>	F105C118	Spicer & Others	Push	8.375"	7.000"	4.885"
105C-137	F105C138	Spicer 15 1/2" and	Pull	8.000"	6.500"	4.895"
	C105C138	14" 2P				
85-509-3 <sup>3</sup>	F105C118	Spicer & Others	Push	8.375"	7.000"	4.885"

<sup>1</sup>Machined washer surface on yoke front

<sup>2</sup>Machined washer surface on yoke rear (for clearance)

<sup>3</sup>Same as <sup>1</sup> above except contains spring holes in lugs

■ Use 7743X Clutch Release Bearing and (2) 2306-12 Springs.

★ CLUTCH RELEASE YOKE ATTACHING PARTS—

Use one KEY 10-30, two SCREWS 330231 and two LOCK WASHERS 500356-12

NOTE: When changing from a two plate to single plate clutch or vice versa, a different bearing cap will be required.

PARTS LISTED IN THIS CATALOG MAY NO LONGER BE AVAILABLE, USE WITH TRANSMISSION SUPERSEDING LIST.



Rel.Code See Tab Bill	CR-7 Yoke ★	Shaft		Adjustable Arm	D Dim. (In.)	Rel.Code See Tab Bill	CR-7 Yoke ★	Shaft		Adjustable Arm	D Dim. (In.)
		CR-1 Short	CR-2 Long					CR-1 Short	CR-2 Long		
1	105C-64	106C-1142	106C-1047	310233X	11.969	60	105C-137	106C-1185	106C-617	310233X	12.969
2	105C-64	106C-1185	106C-438	—	16.500	61	105C-137	106C-1185	106C-839	310233X	13.969
3	105C-64	106C-1185	106C-939	310233X	12.500	62	105C-137	106C-1185	106C-939	310233X	12.500
4	105C-64	106C-1185	106C-1046	310233X	11.468	63	105C-137	106C-1185	106C-939	310473X	12.500
5	105C-64	106C-1185	106C-1047	310233X	11.969	64	105C-137	106C-1185	106C-953	310473X	12.250
6	105C-64	106C-1185	106C-1047	47-526-1-1X	11.969	65	105C-137	106C-1185	106C-1046	310233X	11.468
7	105C-64	106C-1544	106C-839	310233X	13.969	66	105C-137	106C-1185	106C-1046	310473X	11.468
8	105C-68	106C-1142	106C-438	—	16.125	67	105C-137	106C-1185	106C-1047	310233X	11.969
9	105C-68	106C-1142	106C-617	—	12.594	68	105C-137	106C-1185	106C-1083	310233X	10.469
10	105C-68	106C-1142	106C-617	310233X	12.594	69	105C-137	106C-1185	106C-1094	—	10.969
11	105C-68	106C-1142	106C-839	310233X	13.594	70	105C-137	106C-1185	106C-1094	310233X	10.969
12	105C-68	106C-1142	106C-939	310233X	12.125	71	105C-137	106C-1185	106C-1123	—	15.468
13	105C-68	106C-1142	106C-1046	310233X	11.093	72	105C-137	106C-1185	106C-1123	310233X	15.468
14	105C-68	106C-1142	106C-1047	310233X	11.594	73	105C-137	106C-1185	106C-1367	—	12.812
15	105C-68	106C-1278	106C-438	—	16.125	74	105C-137	106C-1185	106C-1367	310233X	12.812
15A	105C-68	106C-1278	106C-939	310473X	12.125	75	105C-137	106C-1185	106C-1375	310873X	9.281
15B	105C-68	106C-1278	106C-939	310233X	12.125	76	105C-137	106C-1185	106C-1515	—	13.875
16	105C-117	106C-1071	106C-939	310233X	12.750	77	105C-137	106C-1185	106C-1529	—	10.812
17	105C-117	106C-1071	106C-1094	310233X	11.219	78	105C-137	106C-1185	330610-5	—	11.969
18	105C-117	106C-1142	106C-939	310233X	12.750	78A	105C-137	106C-1185	46-510-9	—	9.625
19	105C-117	106C-1185	106C-438	—	16.750	79	105C-137	106C-1216	106C-617	310233X	12.969
20	105C-117	106C-1185	106C-617	310233X	13.219	80	105C-137	106C-1278	106C-438	—	16.500
21	105C-117	106C-1185	106C-839	47-526-1-1X	14.219	81	105C-137	106C-1278	106C-588	—	9.500
22	105C-117	106C-1185	106C-939	310233X	12.750	82	105C-137	106C-1278	106C-588	310233X	9.500
23	105C-117	106C-1185	106C-953	310873X	12.500	83	105C-137	106C-1278	106C-617	310233X	12.969
24	105C-117	106C-1185	106C-960	310233X	11.469	84	105C-137	106C-1278	106C-939	310233X	12.500
25	105C-117	106C-1185	106C-1046	310233X	11.718	84A	105C-137	106C-1278	106C-939	310473X	12.500
26	105C-117	106C-1185	106C-1047	310233X	12.219	85	105C-137	106C-1278	106C-939	310873X	12.500
27	105C-117	106C-1185	106C-1083	—	10.719	86	105C-137	106C-1278	106C-960	310233X	11.219
28	105C-117	106C-1185	106C-1083	310233X	10.719	87	105C-137	106C-1278	106C-1046	—	11.468
29	105C-117	106C-1185	106C-1083	310473X	10.719	88	105C-137	106C-1278	106C-1046	310233X	11.468
30	105C-117	106C-1185	106C-1094	310233X	11.219	89	105C-137	106C-1278	106C-1047	—	11.969
31	105C-117	106C-1185	106C-1094	310873X	11.219	90	105C-137	106C-1278	106C-1047	310233X	11.969
32	105C-117	106C-1185	106C-1169	310233X	11.875	91	105C-137	106C-1278	106C-1083	310233X	10.469
33	105C-117	106C-1185	106C-1315	—	10.375	91A	105C-137	106C-1278	106C-1083	310473X	10.469
34	105C-117	106C-1185	106C-1315	310233X	10.375	92	105C-137	106C-1278	106C-1094	310233X	10.969
35	105C-117	106C-1185	106C-1315	47-526-1-1X	10.375	92A	105C-137	106C-1278	106C-1315	310233X	10.125
35A	105C-117	106C-1185	106C-1375	310873X	9.531	93	105C-137	106C-1278	106C-1375	310233X	9.281
36	105C-117	106C-1185	106C-1417	310233X	10.000	94	105C-137	106C-1278	106C-1422	310233X	10.000
37	105C-117	106C-1185	106C-1417	310873X	10.000	95	105C-137	106C-1278	106C-1529	—	10.812
38	105C-117	106C-1185	106C-1490	310233X	18.750	96	105C-137	106C-1360	106C-1083	—	10.469
39	105C-117	106C-1278	106C-939	310233X	12.750	96A	105C-137	106C-1360	106C-1417	310233X	9.750
40	105C-117	106C-1278	106C-960	310873X	11.469	97	105C-137	106C-1360	106C-1422	310233X	10.000
41	105C-117	106C-1278	106C-1047	310233X	12.219	98	105C-137	106C-1375	106C-438	310233X	16.500
42	105C-117	106C-1278	106C-1094	310233X	11.219	99	105C-137	106C-1498	106C-438	—	16.500
43	105C-117	106C-1278	106C-1315	310233X	10.375	100	105C-137	106C-1498	106C-617	310233X	12.969
44	105C-117	106C-1278	106C-1367	310233X	13.062	101	105C-137	106C-1498	106C-617	310473X	12.969
45	105C-117	106C-1360	106C-1083	310233X	10.719	102	105C-137	106C-1498	106C-939	310233X	12.500
46	105C-117	106C-1360	106C-1315	310233X	10.375	103	105C-137	106C-1498	106C-939	310473X	12.500
46A	105C-117	106C-1360	330610-10	—	12.250	104	105C-137	106C-1498	106C-953	310233X	12.250
47	105C-117	Thru Shaft	106C-1550	—	—	105	105C-137	106C-1498	106C-959	310233X	14.468
48	105C-117	Thru Shaft	106C-1558	—	—	106	105C-137	106C-1498	106C-1046	310233X	11.468
49	105C-124	106C-1185	106C-438	—	14.313	107	105C-137	106C-1498	106C-1047	—	11.969
50	105C-124	Thru Shaft	106C-1566	310233X	—	108	105C-137	106C-1498	106C-1047	310233X	11.969
51	105C-124	Thru Shaft	106C-1566	310473X	—	109	105C-137	106C-1498	106C-1083	310233X	10.469
52	105C-124	Thru Shaft	106C-1566	310873X	—	110	105C-137	106C-1498	106C-1094	—	10.969
52A	105C-124	Thru Shaft	49-510-1	310233X	—	111	105C-137	106C-1498	330610-11	310233X	13.250
53	105C-132	106C-1185	106C-1047	310233X	9.782	112	105C-137	330601-1	106C-939	310233X	12.500
54	105C-132	106C-1185	106C-1083	310233X	8.282	112A	85-509-3	106C-1278	106C-939	310233X	12.750
55	105C-132	106C-1185	106C-1417	310873X	7.563	113	85-509-3	106C-1360	106C-1417	310233X	10.000
56	105C-132	106C-1185	46-510-9	—	7.438	114	85-509-3	Thru Shaft	106C-1578	310233X	—
57	105C-132	106C-1278	46-510-9	—	7.438	114A	85-509-3	Thru Shaft	106C-1578	310473X	—
58	105C-137	106C-1141	106C-1169	310233X	11.625	115	85-509-3	Thru Shaft	106C-1578	310873X	—
59	105C-137	106C-1185	106C-438	—	16.500	116	312916	Thru Shaft	97-510-2	—	—

■ Use 7743X Clutch Release Bearing and (2) 2306-12 Springs.

PARTS LISTED IN THIS CATALOG MAY NO LONGER BE AVAILABLE, USE WITH TRANSMISSION SUPERSEDING LIST.



**MODEL CM55**  
**BASIC OVERHAUL KITS**

**SPICER®**



**T210-CM55**

Part No.	Part Description	Qty.
	<b>MAJOR OVERHAUL KIT</b>	
313400-45X	Major Overhaul Kit	1
500008-37	Woodruff Key - #F	4
53-205-1	Washer - Mainshaft	1
501200	Nut - Mainshaft	1
313401-13X	Thrust Washer Kit	1
313429-6X	Shifter Housing Repair Parts Kit	1
313432-10X	Minor Overhaul Kit	1
	<b>MINOR OVERHAUL KIT</b> (Included in Major Overhaul Kit)	
313432-10X	Minor Overhaul Kit	1
	<b>Bearings</b>	
550375	Countershaft - cup	2
550927	Countershaft - cone	2
550886	Reverse idler shaft	2
550929	Drive gear and Mainshaft rear - cup	2
550930	Drive gear and Mainshaft rear - cone	2
550931	Drive gear - pocket	1
550932	1st and Reverse mainshaft needle bearing assy.	2
59-482-1-1X	Needle roller bearing and spacer kit	1
60-463-8	Oil Seal - mainshaft rear	1
60-463-10-1X	Oil Seal - drive gear	1
63-463-1	Oil Seal - mainshaft rear (Ford only)	1
46-463-8	Oil Seal - mainshaft rear bearing cap	1
545007	Bearing Lubricant	1
545008-1	Loctite	1
2770	Bearing Lube instructions	1
2783	Loctite Application instructions for Mainshaft nut	1
2734	Bulletin for Thrust Washer installation	1
2759	Bulletin for Drive Gear replacement	1
312475-28X	Gasket Kit	1
313024-13X	Snap Ring Kit	1
313240-3X	Baffle and Shim Kit - drive gear	1
313438X	Shim Kit - countershaft rear	1
2355	Service Manual	1
No. 2	Spicer Service Topics	1

PARTS LISTED IN THIS CATALOG MAY NO LONGER BE AVAILABLE, USE WITH TRANSMISSION SUPERSEDING LIST.



# MODEL CM55

## BASIC OVERHAUL KITS

T210-CM55

Part No.	Part Description	Qty.
(Included in Major Overhaul Kit)		
313429-6X	Shifter Housing Repair Parts Kit	1
266-SP	Interlock Pin	1
50-80-1	Ball - shift rod poppet and interlock	7
50-80-4	Ball - backup switch	2
62-438-2	Plunger - 1st and reverse	2
47-72-1	Spring - shift rod poppet	3
62-72-8	Spring - shift finger plunger 1st and reverse	1
(Included in Major and Minor Overhaul Kits)		
312475-28X	Gasket Kit	1
82-118-1	Remote Control - aperture cover	1
47-155-1	Shifter Housing	1
62-155-7	Control cover	1
47-223-1	Drive Gear Bearing Cap	1
47-223-2	Countershaft Rear Bearing Cap	1
47-223-3	Mainshaft Rear Bearing Cap	1
47-223-4	Mainshaft Rear Bearing Cap - for brake mounting	1
47-223-5	Countershaft Front Bearing Cap	1
53-223-1	Mainshaft Rear Bearing Cap - for brake mounting	1
63-223-7	Mainshaft Rear Bearing Cap - for Ford only	1
47-352-1	Clutch Housing	1
97-324-1-1X	P.T.O. (6 holes) Kit	1
97-324-2-1X	P.T.O. (8 holes) Kit	1
313024-13X	Snap Ring Kit	1
27-381-5	Mainshaft	2
46-381-1	Countershaft and Mainshaft	2
53-381-2	Mainshaft	2
82-381-1	Countershaft	1
46-381-2	Mainshaft - 3rd and 4th speed gear	1
313240-3X	Baffle and Shim Kit - mainshaft	1
47-228-1-1	Adjusting Shim - mainshaft rear	9
47-228-2-2	Shim - mainshaft front	1
47-228-2-10	Spacer - mainshaft rear	1
47-468-1	Baffle - bearing cap front	1
47-468-2	Baffle - oil ring drive gear	1
2789	Bulletin - baffle and shim kit	1
313438X	Shim Kit - countershaft rear	1
47-228-3-1	Shim - rear bearing	4
2759	Bulletin - drive gear replacement	1
2789	Bulletin - baffle and shim kit	1

PARTS LISTED IN THIS CATALOG MAY NO LONGER BE AVAILABLE, USE WITH TRANSMISSION SUPERSEDING LIST.

# MODEL CM55

**SPICER®**



## T210-CM55

## TABULATED BILLS OF MATERIAL

Tab No	Used By	For Use With Clutch	Clutch Housing			Main Drive Gear Page 2 A-1	Drive Gear Bearing Cap Page 9 F-2	Case Assembly Page 9 G-1
			S A E	Assembly No. Page 9 E-2	Rel. Code Pages 20-21			
<b>301309-Model 5552-A</b>								
-1	Navistar	Pull	2	46-518-22-1X	8	53-35-1-1X	53-19-11-1X	47-15-17-2X *
-2	Service	Push	2	46-518-22-1X	26	53-35-1-1X	47-19-82-1X	47-15-13-2X *
-3	Never Released for Production							
-4	Never Released for Production							
-5	Navistar	Push	2	46-518-23	-	53-35-8-1X	47-19-77-1X	47-15-17-2X *
-6	Navistar	Push	2	46-518-23	-	53-35-8-1X	47-19-77-1X	47-15-17-2X *
-7	Never Released for Production							
-8	Never Released for Production							
-9	Volvo GMC	Push	2	46-518-22-1X	-	53-35-1-1X	47-19-82-1X	47-15-13-2X *
-10	Vermeer Mfg.	Push	2	46-518-22-1X	26	53-35-1-1X	47-19-82-1X	47-15-13-2X *
-11	KDM U-Joint	Push	2	46-518-22-1X	26	53-35-1-1X	47-19-78-1X	47-15-13-2X *
-12	Never Released for Production							
-13	Never Released for Production							
-14	FWD	Push	2	46-518-22-1X	26	53-35-1-1X	47-19-82-1X	47-15-13-2X *
-15	Hendrickson	Push	2	46-518-22-1X	28	53-35-1-1X	47-19-82-1X	47-15-20-2X *
s-16	Volvo GMC	Push	-	-	-	53-35-4-1X	47-19-79-1X	47-15-13-2X *
-17	Never Released for Production							
-18	Navistar	Pull	2	47-518-4-1X	-	53-35-2-1X	53-19-11-1X	47-15-17-2X *
-19	Navistar	Pull	2	47-518-4-1X	-	53-35-2-1X	53-19-11-1X	47-15-17-2X *
-20	Hendrickson	Pull	2	47-518-4-1X	68	53-35-2-1X	53-19-11-1X	47-15-20-2X *
#-21	AM General Corp.	Push	2	47-518-22-1X	21	53-35-1-1X	47-19-82-1X	47-15-13-2X *
-22	Taylor	Push	3	46-518-21-1X	36	53-35-1-1X	47-19-82-1X	47-15-13-2X *
-23	Wilson Mfg.	Pull	3	46-518-21-1X	8	53-35-1-1X	53-19-11-1X	47-15-13-2X *
-24	Blue Bird Body	Push	2	312830X	56	53-35-1-1X	47-19-78-1X	47-15-19-2X *
-25	Never Released for Production							
-26	Service	Push	2	46-518-22-1X	-	53-35-1-1X	47-19-82-1X	47-15-13-2X *
-27	Navistar	Pull	2	47-518-4-1X	-	53-35-3-1X	53-19-11-1X	47-15-17-2X *
-28	Never Released for Production							
-29	Cooper Mfg. Co.	Push	3	46-518-21-1X	49	53-35-1-1X	47-19-82-1X	47-15-13-2X *
-30	Oshkosh	Push	2	46-518-22-1X	-	53-35-1-1X	47-19-82-1X	47-15-13-2X *
-31	Seagrave	Push	-	-	-	53-35-8-1X	47-19-77-1X	47-15-13-2X *
-32	Service	Push	-	-	-	53-35-1-1X	47-19-82-1X	47-15-13-2X *
-33	Never Released for Production							
-34	Seagrave	Push	2	46-518-22-1X	54	53-35-1-1X	47-19-78-1X	47-15-13-2X *
-35	Foremost (Can.)	Push	3	46-518-21-1X	57	53-35-1-1X	47-19-82-1X	47-15-13-2X *

\* - These part numbers have been superseded - see Case Table page 12

s - Short Box

# - Unit has 313262X Neutral Start Switch Actuator Kit - shipped loose

PARTS LISTED IN THIS CATALOG MAY NO LONGER BE AVAILABLE, USE WITH TRANSMISSION SUPERSEDING LIST.



Tab No	Rear Bearing Cap Assy. Cap, Seal and Bushing Pages 11-12 H-1	Speedometer		End Yoke or	Shifter		
		Drive Gear Page 2 B-21	Driven Gear Page 11 H-7	Companion Flange Page 2 B-22	Housing Assy. Pages 14-15	Lever & Dome Assy. Page 19	Remote Control Pages 16-18
<b>301309-Model 5552-A</b>							
-1	53-19-1-4X	-	-	-	47-16-1-8X	47-16-3-1X	-
-2	53-19-12-4X	-	-	-	47-16-1-8X	47-16-3-1X	-
-3	Never Released for Production						
-4	Never Released for Production						
-5	53-19-1-4X	53-452-2	-	-	47-16-1-8X	-	-
-6	53-19-3-4X	53-452-2	-	-	47-16-1-8X	-	-
-7	Never Released for Production						
-8	Never Released for Production						
-9	53-19-12-4X	53-452-3	-	-	47-16-1-8X	-	-
-10	53-19-12-4X	-	-	-	47-16-1-8X	-	47-16-8-2X
-11	53-19-12-4X	-	-	-	47-16-1-8X	47-16-3-1X	-
-12	Never Released for Production						
-13	Never Released for Production						
-14	53-19-12-4X	-	-	-	47-16-1-8X	-	-
-15	53-19-12-4X	53-452-3	62-453-4	5-4-6321	47-16-1-11X	-	47-16-8-2X
-16	53-19-12-4X	-	-	-	-	-	-
-17	Never Released for Production						
-18	53-19-1-4X	53-452-2	-	-	47-16-1-8X	-	-
-19	53-19-3-4X	53-452-2	-	-	47-16-1-8X	-	-
-20	53-19-12-4X	53-452-3	62-453-4	5-4-6321	47-16-1-11X	-	47-16-8-2X
-21	53-19-12-4X	53-452-3	62-453-4	5-4-6321	47-16-1-8X	-	-
-22	53-19-12-4X	-	-	-	47-16-1-8X	47-16-3-1X	-
-23	53-19-12-4X	-	-	-	47-16-1-8X	47-16-3-1X	-
-24	53-19-12-4X	53-452-3	62-453-4	-	47-16-1-11X	-	-
-25	Never Released for Production						
-26	53-19-12-4X	53-452-3	62-453-4	-	47-16-1-8X	-	-
-27	53-19-1-4X	53-452-2	-	-	47-16-1-8X	-	-
-28	Never Released for Production						
-29	53-19-12-4X	-	-	-	47-16-1-16X	-	-
-30	53-19-12-4X	53-452-3	62-453-4	-	47-16-1-8X	47-16-3-25X	-
-31	53-19-12-4X	-	-	-	47-16-1-8X	-	-
-32	53-19-12-4X	-	-	-	47-16-1-8X	-	-
-33	Never Released for Production						
-34	53-19-12-4X	-	-	-	47-16-1-8X	-	-
-35	53-19-12-4X	-	-	53-106-2	47-16-1-8X	-	47-16-8-2X

# MODEL CM55



**T210-CM55**

## TABULATED BILLS OF MATERIAL

Tab No	Used By	For Use With Clutch	Clutch Housing			Main Drive Gear Page 2 A-1	Drive Gear Bearing Cap Page 9 F-2	Case Assembly Page 9 G-1
			S A E	Assembly No. Page 9 E-2	Rel. Code Pages 20-21			
<b>301309-Model 5552-A (Cont'd)</b>								
-36	Volvo GMC	Push	-	-	-	53-35-4-1X	47-19-79-1X	47-15-13-2X *
-37	Cooper Mfg. Co.	Pull	2	46-518-22-1X	3	53-35-1-1X	53-19-11-1X	47-15-13-2X *
-38	Never Released for Production							
-39	Navistar	Pull	2	47-518-4-1X	-	53-35-3-1X	53-19-11-1X	47-15-17-2X *
-40	Service	Pull	2	47-518-4-1X	62	53-35-2-1X	53-19-11-1X	47-15-13-2X *
-41	Wichtex	Pull	2	46-518-22-1X	12	53-35-1-1X	53-19-11-1X	47-15-13-2X *
-42	Foremost (Can.)	Push	3	46-518-21-1X	57	53-35-1-1X	47-19-82-1X	47-15-13-2X *
-43	Warner-Swasey	Pull	2	47-518-4-1X	67	53-35-2-1X	53-19-11-1X	47-15-17-2X *
-44	Never Released for Production							
-45	Never Released for Production							
-46	Never Released for Production							
-47	Wichtex	Pull	3	46-518-21-1X	12	53-35-1-1X	53-19-11-1X	47-15-13-2X *
-48	Never Released for Production							
#-49	Thomas Blt. Bus	Push	2	46-518-22-1X	55	53-35-1-1X	47-19-78-1X	47-15-17-2X *
-50	Never Released for Production							
-51	Spicer France	Push	-	-	-	53-35-1-1X	47-19-78-1X	47-15-17-2X *
-52	Volvo GMC	Push	2	46-518-13-1X	-	53-35-4-1X	47-19-79-1X	47-15-13-2X *
-53	Warner-Swasey	Push	2	46-518-22-1X	53	53-35-1-1X	49-19-78-1X	47-15-17-2X *
-54	Never Released for Production							
-55	Badger Equip.	Push	2	46-518-22-1X	50	53-35-1-1X	49-19-78-1X	47-15-17-2X *
-56	Geo. Failing	Pull	2	47-518-4-1X	62	53-35-2-1X	53-19-11-1X	47-15-13-2X *
-57	Ford	Push	-	-	-	53-35-10-1X	47-19-73-1X	47-15-14-2X *
-58	Ford	Push	-	-	-	53-35-10-1X	47-19-73-1X	47-15-14-2X *
-59	Ford	Push	-	-	-	53-35-10-1X	47-19-73-1X	47-15-14-2X *
-60	Ford	Push	2	47-518-5	-	53-35-9-1X	47-19-74-1X	47-15-22-2X *
-61	Ford	Push	2	47-518-5	-	53-35-9-1X	47-19-74-1X	47-15-22-2X *
-62	Ford	Push	2	47-518-5	-	53-35-9-1X	47-19-74-1X	47-15-22-2X *
-63	Never Released for Production							
-64	Never Released for Production							
-65	Never Released for Production							
-66	Ardco Ind.	Push	3	46-518-21-1X	19	53-35-1-1X	47-19-82-1X	47-15-13-2X *
-67	Ford	Pull	2	47-518-4-1X	-	53-35-2-1X	53-19-11-1X	47-15-22-2X *
-68	Ford	Pull	2	47-518-4-1X	-	53-35-2-1X	53-19-11-1X	47-15-22-2X *
-69	Ford	Pull	2	47-518-4-1X	-	53-35-2-1X	53-19-11-1X	47-15-22-2X *
-70	Service	Push	2	46-518-22-1X	26	53-35-1-1X	47-19-82-1X	47-15-13-2X *

\* - These part numbers have been superseded - see Case Table page 12

# - Unit has 313262X Neutral Start Switch Actuator Kit - shipped loose

PARTS LISTED IN THIS CATALOG MAY NO LONGER BE AVAILABLE, USE WITH TRANSMISSION SUPERSEDING LIST.



Tab No	Rear Bearing Cap Assy. Cap, Seal and Bushing Pages 11-12 H-1	Speedometer		End Yoke or Companion Flange Page 2 B-22	Shifter		
		Drive Gear Page 2 B-21	Driven Gear Page 11 H-7		Housing Assy. Pages 14-15	Lever & Dome Assy. Page 19	Remote Control Pages 16-18
<b>301309-Model 5552-A (Cont'd)</b>							
-36	53-19-12-4X	-	-	-	47-16-1-10X	-	-
-37	53-19-12-4X	-	-	-	47-16-1-8X	-	47-16-8-2X
-38	Never Released for Production						
-39	53-19-3-4X	53-452-2	-	-	47-16-1-8X	-	-
-40	53-19-12-4X	-	-	-	47-16-1-8X	-	-
-41	53-19-12-4X	-	-	-	47-16-1-8X	47-16-3-1X	-
-42	53-19-12-4X	-	-	-	47-16-1-8X	-	-
-43	53-19-12-4X	-	-	5-4-6321	47-16-1-11X	-	47-16-8-2X
-44	Never Released for Production						
-45	Never Released for Production						
-46	Never Released for Production						
-47	53-19-12-4X	-	-	-	47-16-1-8X	47-16-3-1X	-
-48	Never Released for Production						
-49	53-19-12-4X	-	-	5-4-6321	47-16-1-11X	-	47-16-9-2X
-50	Never Released for Production						
-51	53-19-12-4X	53-452-4	53-453-2	4-4-4491	47-16-1-11X	-	-
-52	53-19-12-4X	53-452-3	-	-	47-16-1-8X	-	-
-53	53-19-12-4X	-	-	5-4-6321	47-16-1-11X	-	47-16-8-2X
-54	Never Released for Production						
-55	53-19-12-4X	-	-	5-4-6321	47-16-1-11X	-	47-16-8-2X
-56	53-19-12-4X	-	-	53-106-2	47-16-1-8X	47-16-3-1X	-
-57	53-19-13-2X *	-	-	-	47-16-1-8X	-	-
-58	53-19-15-2X	-	-	-	47-16-1-8X	-	-
-59	53-19-17-2X	-	-	-	47-16-1-8X	-	-
-60	53-19-13-2X *	-	-	-	47-16-1-8X	-	-
-61	53-19-15-2X	-	-	-	47-16-1-8X	-	-
-62	53-19-17-2X	-	-	-	47-16-1-8X	-	-
-63	Never Released for Production						
-64	Never Released for Production						
-65	Never Released for Production						
-66	53-19-12-4X	-	-	53-106-2	47-16-1-8X	47-16-5-38X	-
-67	53-19-13-2X *	-	-	-	47-16-1-8X	-	-
-68	53-19-15-2X	-	-	-	47-16-1-8X	-	-
-69	53-19-17-2X	-	-	-	47-16-1-8X	-	-
-70	53-19-12-4X	-	-	5-4-6321	47-16-1-8X	47-16-3-1X	-

\* - This part number is superseded by 53-19-22-1X

# MODEL CM55



T210-CM55

## TABULATED BILLS OF MATERIAL

Tab No	Used By	For Use With Clutch	Clutch Housing			Main Drive Gear Page 2 A-1	Drive Gear Bearing Cap Page 9 F-2	Case Assembly Page 9 G-1
			S A E	Assembly No. Page 9 E-2	Rel. Code Pages 20-21			
<b>301309-Model 5552-A (Cont'd)</b>								
-71	Volvo GMC	Push	2	47-518-10-1X	-	53-35-4-1X	47-19-79-1X	47-15-13-2X *
-72	Service	Push	2	47-518-5	-	53-35-9-1X	47-19-74-1X	47-15-13-2X *
-73	Vermeer Mfg.	Push	2	46-518-22-1X	26	53-35-1-1X	47-19-82-1X	47-15-13-2X *
-74	Never Released for Production							
-75	Never Released for Production							
-76	Never Released for Production							
-77	Davey Kent	Pull	-	-	-	53-35-6-1X	53-19-11-1X	47-15-13-2X *
-78	Service	Push	3	46-518-21-1X	22	53-35-1-1X	47-19-82-1X	47-15-13-2X *
-79	Never Released for Production							
-80	Never Released for Production							
-81	Wilson Mfg.	Pull	2	46-518-22-1X	8	53-35-1-1X	53-19-11-1X	47-15-13-2X *
-82	Spicer Aust.	Push	2	46-518-22-1X	51	53-35-1-1X	47-19-82-1X	47-15-13-2X *
-83	Volvo GMC	Push	2	47-518-10-1X	-	53-35-4-1X	47-19-79-1X	47-15-13-2X *
-84	Davey Kent	Pull	-	-	-	53-35-6-1X	53-19-11-1X	47-15-13-2X *
+85	Capitol Trnchr.	Pull	-	-	-	53-35-2-1X	53-19-11-1X	47-15-14-2X *
-86	Vermeer Mfg.	Push	2	46-518-22-1X	26	53-35-1-1X	47-19-82-1X	47-15-13-2X *
**87	Spicer France	Push	-	-	-	53-35-1-1X	47-19-78-1X	47-15-17-2X *
-88	Stockdale Mine	Pull	-	-	-	53-35-6-1X	53-19-11-1X	47-15-13-2X *
-89	Vermeer Mfg.	Push	2	46-518-22-1X	26	53-35-1-1X	47-19-82-1X	47-15-13-2X *
-90	Salem Tool	Pull	2	47-518-4-1X	63	53-35-3-1X	53-19-11-1X	47-15-13-2X *
-91	D.S.D.	Pull	-	-	-	53-35-3-1X	53-19-11-1X	47-15-17-2X *
-92	D.S.D.	Push	-	-	-	53-35-9-1X	47-19-74-1X	47-15-22-2X *
-93	D.S.D.	Pull	-	-	-	53-35-2-1X	53-19-11-1X	47-15-22-2X *
-94	Spicer France	Push	-	-	-	53-35-1-1X	47-19-78-1X	47-15-17-2X *
-95	Volvo GMC	Push	2	312256X	-	53-35-1-1X	47-19-80-1X	47-15-13-2X *
-96	D.S.D.	Pull	-	-	-	53-35-2-1X	53-19-11-1X	47-15-17-2X *
-97	D.S.D.	Push	-	-	-	53-35-1-1X	47-19-82-1X	47-15-13-2X *
-98	D.S.D.	Pull	-	-	-	53-35-2-1X	53-19-11-1X	47-15-17-2X *
-99	Volvo GMC	Pull	2	47-518-4-1X	-	53-35-2-1X	53-19-11-1X	47-15-13-2X *
-100	D.S.D.	Push	2	46-518-22-1X	-	53-35-1-1X	47-19-82-1X	47-15-13-2X *
-101	Never Released for Production							
**102	Hopper Inc.	Pull	2	47-518-4-1X	63	53-35-3-1X	53-19-11-1X	47-15-13-2X *
-103	Never Released for Production							
-104	Never Released for Production							
-105	Never Released for Production							

\* - These part numbers have been superseded - see Case Table page 12

\*\* - Unit has 97-454-2-1X Speedo Sleeve & Oil Seal

+ - Unit is less Synchronizers

PARTS LISTED IN THIS CATALOG MAY NO LONGER BE AVAILABLE, USE WITH TRANSMISSION SUPERSEDING LIST.





Tab No	Rear Bearing Cap Assy. Cap, Seal and Bushing Pages 11-12 H-1	Speedometer		End Yoke or	Shifter		
		Drive Gear Page 2 B-21	Driven Gear Page 11 H-7	Companion Flange Page 2 B-22	Housing Assy. Pages 14-15	Lever & Dome Assy. Page 19	Remote Control Pages 16-18
<b>301309-Model 5552-A (Cont'd)</b>							
-71	53-19-7-4X	53-452-3	-	-	47-16-1-8X	-	-
-72	53-19-12-4X	53-452-3	62-453-4	5-4-6321	47-16-1-8X	47-16-3-1X	-
-73	53-19-12-4X	-	-	-	47-16-1-16X	-	-
-74	Never Released for Production						
-75	Never Released for Production,						
-76	Never Released for Production						
-77	53-19-12-4X	-	-	53-106-2	47-16-1-16X	-	-
-78	53-19-12-4X	53-452-3	62-453-4	53-106-2	47-16-1-8X	47-16-3-25X	-
-79	Never Released for Production						
-80	Never Released for Production						
-81	53-19-12-4X	-	-	-	47-16-1-8X	47-16-3-1X	-
-82	53-19-12-4X	53-452-3	62-453-4	5-1-6311X	47-16-1-8X	-	47-16-8-2X
-83	53-19-12-4X	53-452-3	-	-	47-16-1-8X	-	-
-84	53-19-12-4X	-	-	53-106-2	47-16-1-16X	47-16-3-1X	-
-85	53-19-13-2X *	-	-	-	47-16-1-8X	-	-
-86	47-19-3-2X	-	-	-	47-16-1-16X	-	-
-87	53-19-7-2X	53-452-4	53-453-2	5-1-6311X	47-16-1-11X	-	-
-88	53-19-12-4X	-	-	3-4-8781	47-16-1-16X	47-16-3-1X	-
-89	47-19-3-2X	-	-	-	47-16-1-18X	-	-
-90	53-19-12-4X	-	-	-	47-16-1-8X	-	-
-91	53-19-3-2X	53-452-2	-	-	47-16-1-8X	-	-
-92	53-19-13-2X *	-	-	-	47-16-1-8X	-	-
-93	53-19-13-2X *	-	-	-	47-16-1-8X	-	-
-94	53-19-12-4X	53-452-4	53-453-2	4-4-4491	47-16-1-8X	-	-
-95	53-19-12-4X	53-452-3	-	-	47-16-1-8X	-	-
-96	53-19-1-4X	53-452-2	-	-	47-16-1-8X	-	-
-97	53-19-12-4X	53-452-3	-	-	47-16-1-8X	-	-
-98	53-19-3-2X	53-452-2	-	-	47-16-1-8X	-	-
-99	53-19-12-4X	53-452-3	-	-	47-16-1-8X	-	-
-100	53-19-12-4X	53-452-3	-	5-4-6321	47-16-1-8X	-	47-16-8-3X
-101	Never Released for Production						
-102	53-19-12-4X	53-452-4	53-453-2	5-4-6321	47-16-1-8X	47-16-3-1X	-
-103	Never Released for Production						
-104	Never Released for Production						
-105	Never Released for Production						

\* - This part number is superseded by 53-19-22-1X

# MODEL CM55

**SPICER®**



**T210-CM55**

## TABULATED BILLS OF MATERIAL

Tab No	Used By	For Use With Clutch	Clutch Housing			Main Drive Gear Page 2 A-1	Drive Gear Bearing Cap Page 9 F-2	Case Assembly Page 9 G-1
			S A E	Assembly No. Page 9 E-2	Rel. Code Pages 20-21			
<b>301309-Model 5552-A (Cont'd)</b>								
+108	Vermeer Mfg.	Push	2	46-518-22-1X	26	53-35-1-1X	47-19-82-1X	47-15-13-2X *
-109	Walker Neer	Pull	2	46-518-22-1X	-	53-35-1-1X	53-19-11-1X	47-15-13-2X *
-110	Never Released for Production							
-111	Never Released for Production							
-112	Never Released for Production							
-113	Never Released for Production							
-114	Never Released for Production							
-115	Never Released for Production							
-116	Never Released for Production							
-117	Never Released for Production							
-118	Never Released for Production							
-119	Never Released for Production							
**120	Spicer France	Push	-	-	-	53-35-1-1X	47-19-78-1X	53-15-7-2X
**121	Spicer France	Push	-	-	-	53-35-1-1X	47-19-78-1X	59-15-7-2X
-122	Never Released for Production							
-123	Spicer France	Push	-	-	-	53-35-1-1X	47-19-78-1X	59-15-7-2X
**124	Spicer France	Push	-	-	-	53-35-1-1X	47-19-78-1X	59-15-7-2X
<b>301310-Model 5552-B</b>								
-1	Navistar	Pull	2	46-518-22-1X	8	53-35-1-1X	53-19-11-1X	47-15-17-2X *
-2	Navistar	Push	2	46-518-23	-	53-35-8-1X	47-19-77-1X	47-15-17-2X *
-3	Never Released for Production							
-4	Harnischfeger	Push	3	46-518-21-1X	30	53-35-1-1X	47-19-82-1X	47-15-13-2X *
-5	Never Released for Production							
-6	Vermeer Mfg.	Push	2	46-518-22-1X	26	53-35-1-1X	47-19-82-1X	47-15-13-2X *
-7	Navistar	Pull	2	47-518-4-1X	-	53-35-2-1X	53-19-11-1X	47-15-17-2X *
-8	Navistar	Push	2	46-518-23	-	53-35-8-1X	47-19-77-1X	47-15-17-2X *
-9	Navistar	Pull	2	47-518-4-1X	-	53-35-2-1X	53-19-11-1X	47-15-17-2X *
-10	D.S.D.	Push	2	312830X	-	53-35-1-1X	47-19-82-1X	47-15-13-4X *
+11	Service	Pull	-	-	-	53-35-1-1X	53-19-11-1X	47-15-13-2X *
-12	FWD	Push	2	46-518-22-1X	54	53-35-1-1X	47-19-78-1X	47-15-13-2X *
-13	Navistar	Pull	2	47-518-4-1X	-	53-35-3-1X	53-19-11-1X	47-15-17-2X *
-14	FWD	Push	2	46-518-22-1X	28	53-35-1-1X	47-19-82-1X	47-15-13-2X *
-15	Oshkosh	Push	2	46-518-22-1X	23	53-35-1-1X	47-19-78-1X	47-15-13-2X *
s-16	Chrysler Corp.	Push	-	-	-	53-35-1-1X	47-19-82-1X	47-15-20-2X *
-17	Service	Push	2	46-518-22-1X	28	53-35-1-1X	47-19-82-1X	47-15-13-2X *
-18	Midway Mfg.	Pull	-	-	-	53-35-1-1X	53-19-11-1X	47-15-13-2X *
-19	Custombilt Trk.	Push	2	46-518-22-1X	30	53-35-1-1X	47-19-82-1X	47-15-13-2X *
-20	Service	Push	-	-	-	53-35-1-1X	47-19-82-1X	47-15-13-2X *

+ - Unit is less Synchronizers

\* - These part numbers have been superseded - see Case Table page 12

\*\* - Unit has 97-454-2-1X Speedo Sleeve & Oil Sleeve

s - Short Box



Tab No	Rear Bearing Cap Assy. Cap, Seal and Bushing Pages 11-12 H-1	Speedometer		End Yoke or	Shifter		
		Drive Gear Page 2 B-21	Driven Gear Page 11 H-7	Companion Flange Page 2 B-22	Housing Assy. Pages 14-15	Lever & Dome Assy. Page 19	Remote Control Pages 16-18

**301309-Model 5552-A (Cont'd)**

-108	47-19-3-2X	-	-	-	47-16-1-8X	-	-
-109	53-19-12-4X	-	-	5-1-6311X	47-16-1-8X	47-16-3-1X	-
-110	Never Released for Production						
-111	Never Released for Production						
-112	Never Released for Production						
-113	Never Released for Production						
-114	Never Released for Production						
-115	Never Released for Production						
-116	Never Released for Production						
-117	Never Released for Production						
-118	Never Released for Production						
-119	Never Released for Production						
-120	53-19-12-4X	53-452-2	53-453-2	5-4-6321-1	47-16-1-8X	47-16-5-43X	-
-121	53-19-12-4X	53-452-4	53-453-2	5-4-6321-1	47-16-1-11X	-	-
-122	Never Released for Production						
-123	53-19-12-4X	53-452-4	53-453-2	5-4-6321	47-16-1-11X		
-124	53-19-12-4X	53-452-4	53-453-3	5-4-6321	47-16-1-8X	47-16-5-43X	-

**301310-Model 5552-B**

-1	53-19-1-4X	-	-	-	47-16-1-8X	47-16-3-1X	-
-2	53-19-1-4X	53-452-2	-	-	47-16-1-8X	-	-
-3	Never Released for Production						
-4	53-19-12-4X	-	-	-	47-16-1-12X	-	47-16-8-2X
-5	Never Released for Production						
-6	53-19-12-4X	-	-	-	47-16-1-8X	-	47-16-8-2X
-7	53-19-1-4X	53-452-2	-	-	47-16-1-8X	-	-
-8	53-19-3-4X	53-452-2	-	-	47-16-1-8X	-	-
-9	53-19-3-4X	53-452-2	-	-	47-16-1-8X	-	-
-10	53-19-12-4X	53-452-3	62-453-4	53-106-2	47-16-1-8X	-	-
-11	53-19-12-4X	-	-	-	47-16-1-8X	-	47-16-8-2X
-12	53-19-12-4X	-	-	-	47-16-1-8X	-	-
-13	53-19-1-4X	53-452-2	-	-	47-16-1-8X	-	-
-14	53-19-12-4X	-	-	-	47-16-1-8X	-	-
-15	53-19-12-4X	53-452-3	62-453-4	5-4-6321	47-16-18X	-	47-16-8-3X
-16	53-19-12-4X	-	-	-	-	-	-
-17	53-19-12-4X	-	-	-	47-16-1-8X	47-16-3-1X	-
-18	53-19-12-4X	-	-	4-4-4491	47-16-1-8X	-	47-16-8-2X
-19	53-19-12-4X	-	-	-	47-16-1-8X	47-16-3-25X	-
-20	53-19-12-4X	-	-	-	47-16-1-8X	-	-

# MODEL CM55

**SPICER®**



**T210-CM55**

## TABULATED BILLS OF MATERIAL

Tab No	Used By	For Use With Clutch	Clutch Housing			Main Drive Gear Page 2 A-1	Drive Gear Bearing Cap Page 9 F-2	Case Assembly Page 9 G-1
			S A E	Assembly No. Page 9 E-2	Rel. Code Pages 20-21			
<b>301310-Model 5552-B (Cont'd)</b>								
-21	Harnischfeger	Push	3	46-518-21-1X	30	53-35-1-1X	47-19-82-1X	47-15-13-2X *
-22	Terra-Flex	Push	3	46-518-21-1X	18	53-35-1-1X	47-19-82-1X	47-15-13-2X *
-23	Navistar	Pull	2	47-518-4-1X	-	53-35-3-1X	53-19-11-1X	47-15-17-2X *
-24	Harnischfeger	Push	2	46-518-22-1X	53	53-35-1-1X	47-19-78-1X	47-15-13-2X *
-25	Service	Push	2	46-518-22-1X	56	53-35-1-1X	47-19-82-1X	47-15-19-2X *
-26	Never Released for Production							
-27	Custombilt Trk.	Push	2	46-518-22-1X	30	53-35-1-1X	47-19-78-1X	47-15-13-2X *
-28	Blue Bird Body	Push	2	312830X	56	53-35-1-1X	47-19-78-1X	47-15-19-2X *
-29	Bisnger./Stein	Push	3	46-518-21-1X	57	53-35-11-1X	47-19-77-1X	47-15-13-2X *
-30	Bisnger./Stein	Push	2	46-518-22-1X	22	53-35-1-1X	47-19-82-1X	47-15-13-2X *
-31	Never Released for Production							
-32	Never Released for Production							
-33	Bisnger./Stein	Pull	-	-	-	53-35-1-1X	53-19-11-1X	47-15-13-2X *
-34	Inter-Am. Tran.	Pull	2	46-518-22-1X	3	53-35-1-1X	53-19-11-1X	47-15-13-2X *
-35	Never Released for Production							
-36	Never Released for Production							
-37	Never Released for Production							
-38	Never Released for Production							
-39	Never Released for Production							
-40	Never Released for Production							
-41	Ford	Push	-	-	-	53-35-10-1X	47-19-73-1X	47-15-14-2X *
-42	Ford	Push	-	-	-	53-35-10-1X	47-19-73-1X	47-15-14-2X *
-43	Ford	Push	-	-	-	53-35-10-1X	47-19-73-1X	47-15-14-2X *
-44	Ford	Push	2	47-518-5	-	53-35-9-1X	47-19-74-1X	47-15-22-2X *
-45	Ford	Push	2	47-518-5	-	53-35-9-1X	47-19-74-1X	47-15-22-2X *
-46	Ford	Push	2	47-518-5	-	53-35-9-1X	47-19-74-1X	47-15-22-2X *
-47	Six States	Pull	2	47-518-4-1X	70	53-35-2-1X	53-19-11-1X	47-15-13-2X *
@-48	Plasser Amer.	Push	3	46-518-21-1X	18	53-35-1-1X	47-19-82-1X	47-15-13-2X *
-49	Hayes Dana	Push	3	46-518-21-1X	-	53-35-1-1X	47-19-82-1X	47-15-13-2X *
-50	Never Released for Production							
-51	Service	Pull	2	46-518-22-1X	8	53-35-1-1X	53-19-11-1X	47-15-13-2X *
-52	Ford	Pull	2	47-518-22-2X	-	53-35-2-1X	53-19-11-1X	47-15-22-2X *
-53	Ford	Pull	2	47-518-4-1X	-	53-35-2-1X	53-19-11-1X	47-15-22-2X *
-54	Never Released for Production							
+55	Capitol Tren.	Pull	-	-	-	53-35-2-1X	53-19-11-1X	47-15-14-2X *

\* - These part numbers have been superseded - see Case Table page 12

+ - Unit is less Synchronizers

@ - Unit has a 3918-68 Independent Remote Control

PARTS LISTED IN THIS CATALOG MAY NO LONGER BE AVAILABLE, USE WITH TRANSMISSION SUPERSEDING LIST.



Tab No	Rear Bearing Cap Assy. Cap, Seal and Bushing Pages 11-12 H-1	Speedometer		End Yoke or Companion Flange Page 2 B-22	Shifter		
		Drive Gear Page 2 B-21	Driven Gear Page 11 H-7		Housing Assy. Pages 14-15	Lever & Dome Assy. Page 19	Remote Control Pages 16-18
<b>301310-Model 5552-B (Cont'd)</b>							
-21	53-19-12-4X	-	-	5-4-6321	47-16-1-12X	-	47-16-12-2X
-22	53-19-12-4X	-	-	53-106-2	47-16-1-8X	-	47-16-8-2X
-23	53-19-3-4X	-	-	-	47-16-1-8X	-	-
-24	53-19-12-4X	-	-	5-4-6321	47-16-1-12X	-	47-16-8-2X
-25	53-19-12-4X	53-452-3	62-453-4	53-106-2	47-16-1-8X	47-16-3-25X	-
-26	Never Released for Production						
-27	53-19-12-4X	-	-	4-4-4491	47-16-1-8X	-	47-16-8-2X
-28	53-19-12-4X	53-452-3	62-453-4	-	47-16-1-11X	-	-
-29	53-19-12-4X	-	-	53-106-2	47-16-1-8X	47-16-3-1X	-
-30	53-19-12-4X	-	-	-	47-16-1-8X	-	47-16-8-2X
-31	Never Released for Production						
-32	Never Released for Production						
-33	53-19-12-4X	-	-	53-106-2	47-16-1-8X	-	47-16-8-2X
-34	53-19-12-4X	-	-	-	47-16-1-8X	47-16-3-1X	-
-35	Never Released for Production						
-36	Never Released for Production						
-37	Never Released for Production						
-38	Never Released for Production						
-39	Never Released for Production						
-40	Never Released for Production						
-41	53-19-13-2X *	-	-	-	47-16-1-8X	-	-
-42	53-19-15-2X	-	-	-	47-16-1-8X	-	-
-43	53-19-17-2X	-	-	-	47-16-1-8X	-	-
-44	53-19-13-2X *	-	-	-	47-16-1-8X	-	-
-45	53-19-15-2X	-	-	-	47-16-1-8X	-	-
-46	53-19-17-2X	-	-	-	47-16-1-8X	-	-
-47	53-19-12-4X	53-452-3	62-453-4	53-106-1	47-16-1-8X	47-16-3-1X	-
-48	53-19-12-4X	-	-	4-4-4491	47-16-1-8X	-	47-16-8-3X
-49	53-19-12-4X	-	-	4-4-4491	47-16-1-17X	-	-
-50	Never Released for Production						
-51	53-19-12-4X	-	-	-	47-16-1-8X	47-16-3-1X	-
-52	53-19-17-2X	-	-	-	47-16-1-8X	-	-
-53	53-19-13-2X *	-	-	-	47-16-1-8X	-	-
-54	Never Released for Production						
-55	53-19-13-2X *	-	-	-	47-16-1-8X	-	-

\* - This part number has been superseded by 53-19-22-1X

# MODEL CM55

**SPICER®**



## T210-CM55

## TABULATED BILLS OF MATERIAL

Tab No	Used By	For Use With Clutch	Clutch Housing			Main Drive Gear Page 2 A-1	Drive Gear Bearing Cap Page 9 F-2	Case Assembly Page 9 G-1
			S A E	Assembly No. Page 9 E-2	Rel. Code Pages 20-21			

### 301310-Model 5552-B (Cont'd)

-56	Never Released for Production							
-57	Ford	Pull	2	47-518-4-1X	-	53-35-2-1X	53-19-11-1X	47-15-22-2X *
-58	Intl. Petro.	Pull	2	47-518-4-1X	62	53-35-2-1X	53-19-11-1X	47-15-13-2X *
-59	Capital Tren.	Pull	3	47-518-21-1X	-	53-35-1-1X	53-19-11-1X	47-15-22-2X *
-60	Harnischfeger	Push	2	46-518-22-1X	26	53-35-1-1X	47-19-82-1X	47-15-13-2X *
-61	Cummins. Amer.	Push	2	46-518-22-1X	-	53-35-1-1X	47-19-82-1X	47-15-20-2X *
-62	Volvo GM	Push	2	47-518-10-1X	-	53-35-4-1X	47-19-79-1X	47-15-13-2X *

### 301311-Model 5552-C

-1	Navistar	Pull	2	46-518-22-1X	8	53-35-1-1X	53-19-11-1X	47-15-17-2X *
-2	Volvo GM	Push	2	46-518-22-1X	-	53-35-1-1X	47-19-82-1X	47-15-13-3X *
-3	Blue Bird Body	Push	2	312830X	56	53-35-1-1X	47-19-78-1X	47-15-19-2X *
-4	Warner-Swasey	Push	2	46-518-22-1X	34	53-35-1-1X	47-19-82-1X	47-15-17-2X *
-5	Never Released for Production							
-6	Volvo GM	Push	2	46-518-22-1X	-	53-35-1-1X	47-19-82-1X	47-15-13-2X *
-7	Warner-Swasey	Push	3	46-518-21-1X	24	53-35-1-1X	47-19-82-1X	47-15-17-2X *
-8	Never Released for Production							
-9	Never Released for Production							
-10	Never Released for Production							
-11	Never Released for Production							
s-12	Volvo GM	Push	-	-	-	53-35-1-1X	47-19-82-1X	47-15-13-3X *
s-13	Volvo GM	Push	-	-	-	53-35-1-1X	47-19-82-1X	47-15-13-3X *
-14	Navistar	Push	2	46-518-23	-	53-35-8-X	47-19-77-1X	47-15-17-2X *
-15	Volvo GM	Push	2	46-518-22-1X	-	53-35-1-1X	47-19-82-1X	47-15-13-2X *
-16	Never Released for Production							
-17	Navistar	Pull	2	47-518-4-1X	-	53-35-2-1X	53-19-11-1X	47-15-17-2X *
-18	Service	Push	-	-	-	53-35-1-1X	47-19-82-1X	47-15-13-2X *
-19	Western Star	Pull	2	47-518-4-1X	-	53-35-2-1X	53-19-11-1X	47-15-13-2X *
-20	Volvo GM	Push	-	-	-	53-35-1-1X	47-19-82-1X	47-15-13-2X *
-21	Navistar	Pull	2	47-518-4-1X	-	53-35-2-1X	53-19-11-1X	47-15-17-2X *
-22	Omnibus	Push	2	46-518-22-1X	42	53-35-1-1X	47-19-78-1X	47-15-19-2X *
-23	Univ. Go Tract	Push	2	46-518-22-1X	34	53-35-1-1X	47-19-82-1X	47-15-13-2X *
-24	Service	Push	2	46-518-22-1X	-	53-35-1-1X	47-19-82-1X	47-15-13-2X *
-25	Volvo GM	Push	2	46-518-13-1X	-	53-35-4-1X	47-19-79-1X	47-15-13-2X *
-26	Volvo GM	Push	2	46-518-13-1X	-	53-35-4-1X	47-19-79-1X	47-15-13-2X *
-27	Never Released for Production							
-28	Volvo GM	Push	2	46-518-13-1X	-	53-35-4-1X	47-19-79-1X	47-15-13-2X *
-29	Never Released for Production							
-30	Service	Push	2	46-518-22-1X	34	53-35-1-1X	47-19-82-1X	47-15-17-2X *

\* - These parts numbers have been superseded - see Case Table page 12

s - Short Box



Tab No	Rear Bearing Cap Assy. Cap, Seal and Bushing Pages 11-12 H-1	Speedometer		End Yoke or Companion Flange Page 2 B-22	Shifter		
		Drive Gear Page 2 B-21	Driven Gear Page 11 H-7		Housing Assy. Pages 14-15	Lever & Dome Assy. Page 19	Remote Control Pages 16-18

**301310-Model 5552-B (Cont'd)**

-56	Never Released for Production						
-57	53-19-15-2X	-	-	-	47-16-1-8X	-	-
-58	53-19-7-2X	-	-	5-1-6311X	47-16-1-8X	47-16-3-1X	-
-59	53-19-13-2X *	-	-	3-4-8781	47-16-1-8X	-	-
-60	53-19-12-4X	-	-	5-1-6311X	47-16-1-19X	-	-
-61	53-19-12-4X	-	-	-	47-16-1-8X	-	-
-62	53-19-12-4X	53-452-3	-	-	47-16-1-8X	-	-

**301311-Model 5552-C**

-1	53-19-1-4X	-	-	-	47-16-1-8X	47-16-3-1X	-
-2	53-19-12-4X	53-452-3	-	-	47-16-1-8X	-	-
-3	53-19-12-4X	53-452-3	62-453-4	-	47-16-1-11X	-	-
-4	53-19-12-4X	-	-	5-4-6321	47-16-1-11X	-	47-16-8-2X
-5	Never Released for Production						
-6	53-19-7-4X	53-452-3	-	-	47-16-1-8X	-	-
-7	53-19-12-4X	-	-	5-4-6321	47-16-1-11X	-	47-16-8-2X
-8	Never Released for Production						
-9	Never Released for Production						
-10	Never Released for Production						
-11	Never Released for Production						
-12	53-19-12-4X	-	-	-	-	-	-
-13	53-19-7-4X	-	-	-	-	-	-
-14	53-19-1-4X	53-452-2	-	-	47-16-1-10X	-	-
-15	53-19-12-4X	53-452-3	-	53-106-2	47-16-1-8X	-	-
-16	Never Released for Production						
-17	53-19-3-4X	53-452-2	-	-	47-16-1-8X	-	-
-18	53-19-12-4X	-	-	-	47-16-1-8X	-	-
-19	53-19-12-4X	-	-	-	47-16-1-8X	-	-
-20	53-19-12-4X	-	-	-	47-16-1-10X	-	-
-21	53-19-1-4X	53-452-2	-	-	47-16-1-8X	-	-
-22	53-19-12-4X	53-452-3	62-453-4	53-106-1	47-16-1-11X	-	-
-23	53-19-12-4X	-	-	53-106-2	47-16-1-11X	-	-
-24	53-19-12-4X	-	-	53-106-2	47-16-1-8X	47-16-3-1X	-
-25	53-19-7-4X	53-452-3	-	-	47-16-1-8X	-	-
-26	53-19-12-4X	53-452-3	-	-	47-16-1-8X	-	-
-27	Never Released for Production						
-28	53-19-12-4X	53-452-3	-	-	47-16-1-8X	-	-
-29	Never Released for Production						
-30	53-19-12-4X	53-452-3	62-453-4	5-4-6321	47-16-1-11X	47-16-3-1X	-

\* - This part number has been superseded by 53-19-22-1X

# MODEL CM55

SPICER®



## T210-CM55

## TABULATED BILLS OF MATERIAL

Tab No	Used By	For Use With Clutch	Clutch Housing			Main Drive Gear Page 2 A-1	Drive Gear Bearing Cap Page 9 F-2	Case Assembly Page 9 G-1
			S A E	Assembly No. Page 9 E-2	Rel. Code Pages 20-21			
<b>301311-Model 5552-C (Cont'd)</b>								
-31	Volvo GM	Push	2	312256X	-	53-35-5-1X	47-19-80-1X	47-15-13-2X *
-32	Omnibus	Push	2	46-518-22-1X	42	53-35-10-1X	47-19-78-1X	47-15-19-2X *
-33	Navistar	Pull	2	47-518-4-1X	-	53-35-3-1X	53-19-11-1X	47-15-17-2X *
-34	Warner-Swasey	Push	2	46-518-22-1X	34	53-35-1-1X	47-19-82-1X	47-15-17-2X *
-35	Never Released for Production							
-36	Champ. Carrier	Push	2	46-518-22-1X	33	53-35-1-1X	47-19-82-1X	47-15-19-2X *
-37	FMC Corp.	Push	2	46-518-22-1X	20	53-35-1-1X	47-19-82-1X	47-15-13-2X *
-38	Volvo GM	Push	2	47-518-10-1X	-	53-35-4-1X	47-19-79-1X	47-15-13-2X *
-39	Volvo GM	Push	2	47-518-10-1X	-	53-35-4-1X	47-19-79-1X	47-15-13-2X *
-40	Volvo GM	Push	2	47-518-10-1X	-	53-35-4-1X	47-19-79-1X	47-15-13-2X *
-41	Volvo GM	Push	2	312256X	-	53-35-5-1X	47-19-80-1X	47-15-13-2X *
-42	Navistar	Pull	2	47-518-4-1X	-	53-35-3-1X	53-19-11-1X	47-15-17-2X *
-43	Ford	Push	2	47-518-5	-	53-35-9-1X	47-19-74-1X	47-15-22-2X *
-44	Ford	Push	2	47-518-5	-	53-35-9-1X	47-19-74-1X	47-15-22-2X *
-45	Ford	Push	2	47-518-5	-	53-35-9-1X	47-19-74-1X	47-15-22-2X *
-46	Ford	Push	-	-	-	53-35-10-1X	47-19-73-1X	47-15-14-2X *
-47	Ford	Push	-	-	-	53-35-10-1X	47-19-73-1X	47-15-14-2X *
-48	Ford	Push	-	-	-	53-35-10-1X	47-19-73-1X	47-15-14-2X *
-49	Six States	Pull	2	47-518-4-1X	70	53-35-2-1X	53-19-11-1X	47-15-13-2X *
-50	Ford	Pull	-	-	-	53-35-2-1X	53-19-11-1X	47-15-22-2X *
-51	Service	Pull	2	46-518-22-1X	8	53-35-1-1X	53-19-11-1X	47-15-13-2X *
-52	Ford	Pull	2	47-518-4	-	53-35-2-1X	53-19-11-1X	47-15-22-2X *
-53	Ford	Pull	2	47-518-4	-	53-35-2-1X	53-19-11-1X	47-15-22-2X *
-54	Univ. Go Tract	Push	3	46-518-21-1X	34	53-35-1-1X	47-19-82-1X	47-15-13-2X *
-55	Univ. Go Tract	Push	-	-	34	53-35-1-1X	47-19-82-1X	47-15-13-2X *
-56	Service	Pull	2	46-518-22-1X	-	53-35-1-11X	53-19-11-1X	47-15-13-2X *
-57	Never Released for Production							
-58	DWT	Push	2	312830X	56	53-35-1-1X	47-19-78-1X	47-15-19-2X *
-59	DSD	Push	-	-	-	53-35-4-1X	47-19-79-1X	47-15-13-2X *
-60	Univ. Go Tract	Push	3	46-518-21-1X	34	53-35-1-1X	47-19-82-1X	47-15-13-2X *
-61	Never Released for Production							
-62	Univ. Go Tract	Push	-	-	34	53-35-1-1X	47-19-82-1X	47-15-13-2X *

\* - These part numbers have been superseded - see Case Table page 12





Tab No	Rear Bearing Cap Assy. Cap, Seal and Bushing Pages 11-12 H-1	Speedometer		End Yoke or Companion Flange Page 2 B-22	Shifter		
		Drive Gear Page 2 B-21	Driven Gear Page 11 H-7		Housing Assy. Pages 14-15	Lever & Dome Assy. Page 19	Remote Control Pages 16-18
<b>301311-Model 5552-C (Cont'd)</b>							
-31	53-19-12-4X	53-452-3	-	-	47-16-1-8X	-	-
-32	53-19-12-4X	53-452-3	62-453-4	53-106-2	47-16-1-11X	-	47-16-8-2X
-33	53-19-3-4X	53-452-2	-	-	47-16-1-8X	-	-
-34	53-19-12-4X	-	-	5-4-6321	47-16-1-11X	-	-
-35	Never Released for Production						
-36	53-19-12-4X	53-452-3	62-453-4	53-106-2	47-16-1-8X	47-16-5-21X	-
-37	53-19-12-4X	-	-	-	47-16-1-8X	47-16-3-1X	-
-38	53-19-7-4X	53-452-3	-	-	47-16-1-8X	-	-
-39	53-19-12-4X	53-452-3	-	-	47-16-1-8X	-	-
-40	53-19-12-4X	53-452-3	-	-	47-16-1-8X	-	-
-41	53-19-7-4X	53-452-3	-	-	47-16-1-8X	-	-
-42	53-19-1-4X	53-452-2	-	-	47-16-1-8X	-	-
-43	53-19-13-2X *	-	-	-	47-16-1-8X	-	-
-44	53-19-15-2X	-	-	-	47-16-1-8X	-	-
-45	53-19-17-2X	-	-	-	47-16-1-8X	-	-
-46	53-19-13-2X *	-	-	-	47-16-1-8X	-	-
-47	53-19-15-2X	-	-	-	47-16-1-8X	-	-
-48	53-19-17-2X	-	-	-	47-16-1-8X	-	-
-49	53-19-12-4X	53-452-3	62-453-4	53-106-2	47-16-1-8X	47-16-3-1X	-
-50	53-19-13-2X *	-	-	-	47-16-1-8X	-	-
-51	53-19-12-4X	-	-	-	47-16-1-8X	47-16-3-1X	-
-52	53-19-17-2X	-	-	-	47-16-1-8X	-	-
-53	53-19-15-2X	-	-	-	47-16-1-8X	-	-
-54	53-19-12-4X	-	-	53-106-2	47-16-1-11X	-	-
-55	53-19-12-4X	-	-	53-106-2	47-16-1-11X	-	-
-56	53-19-12-4X	-	-	-	47-16-1-8X	-	-
-57	Never Released for Production						
-58	53-19-12-4X	53-452-3	62-453-4	3-4-8781	47-16-1-11X	-	-
-59	53-19-12-4X	53-452-3	-	-	47-16-1-8X	-	-
-60	53-19-12-4X	-	-	53-106-2	47-16-1-11X	-	-
-61	Never Released for Production						
-62	53-19-12-4X	-	-	53-106-2	47-16-1-11X	-	-

\* - This part number has been superseded by 53-19-22-1X

# MODEL CM55

**SPICER®**



T210-CM55

## TABULATED BILLS OF MATERIAL

Tab No	Used By	For Use With Clutch	Clutch Housing			Main Drive Gear Page 2 A-1	Drive Gear Bearing Cap Page 9 F-2	Case Assembly Page 9 G-1
			S A E	Assembly No. Page 9 E-2	Rel. Code Pages 20-21			
<b>301312-Model 5552-D</b>								
-1	Navistar	Pull	2	46-518-22-1X	8	53-35-1-1X	53-19-11-1X	47-15-17-2X *
-2	Never Released for Production							
-3	Navistar	Push	2	46-518-23	-	53-35-8-1X	47-19-77-1X	47-15-17-2X *
-4	Navistar	Pull	2	47-518-4-1X	-	53-35-3-1X	53-19-11-1X	47-15-17-2X *
-5	Navistar	Pull	2	47-518-4-1X	-	53-35-3-1X	53-19-11-1X	47-15-17-2X *
-6	Volvo GM	Push	2	47-518-10-1X	-	53-35-4-1X	47-19-79-1X	47-15-13-2X *
-7	Volvo GM	Push	2	47-518-10-1X	-	53-35-4-1X	47-19-79-1X	47-15-13-2X *
-8	Volvo GM	Push	2	46-518-13-1X	-	53-35-4-1X	47-19-79-1X	47-15-13-2X *
-9	Volvo GM	Push	2	46-518-13-1X	-	53-35-4-1X	47-19-79-1X	47-15-13-2X *
-10	Volvo GM	Push	2	312256X	-	53-35-5-1X	47-19-80-1X	47-15-13-2X *
-11	Never Released for Production							
-12	Volvo GM	Push	2	312256X	-	53-35-5-1X	47-19-80-1X	47-15-13-2X *
-13	Ford	Push	2	47-518-5	-	53-35-9-1X	47-19-74-1X	47-15-22-2X *
-14	Ford	Push	2	47-518-5	-	53-35-9-1X	47-19-74-1X	47-15-22-2X *
-15	Ford	Push	2	47-518-5	-	53-35-9-1X	47-19-74-1X	47-15-22-2X *
-16	Ford	Pull	2	47-518-4-1X	-	53-35-2-1X	53-19-11-1X	47-15-22-2X *
-17	Ford	Pull	2	47-518-4-1X	-	53-35-2-1X	53-19-11-1X	47-15-22-2X *
-18	Ford	Pull	2	47-518-4-1X	-	53-35-2-1X	53-19-11-1X	47-15-22-2X *
-19	Ford	Push	-	-	-	53-35-10-1X	47-19-73-1X	47-15-14-2X *
-20	Ford	Push	-	-	-	53-35-10-1X	47-19-73-1X	47-15-14-2X *
-21	Navistar	Pull	2	46-518-22-1X	8	53-35-1-1X	53-19-11-1X	47-15-13-2X *
-22	Ford	Push	-	-	-	53-35-10-1X	47-19-73-1X	47-15-14-2X *
-23	Volvo GM	Pull	2	47-518-4-1X	-	53-35-2-1X	53-19-11-1X	47-15-13-2X *
-24	Volvo GM	Pull	2	47-518-4-1X	-	53-35-2-1X	53-19-11-1X	47-15-13-2X *
-25	Diesel Equip.	Push	2	46-518-22-1X	51	53-35-1-1X	47-19-82-1X	47-15-13-2X *
-26	Navistar	Push	2	46-518-23	-	53-35-8-1X	47-19-77-1X	47-15-17-2X *
-27	Badger Equip.	Pull	2	47-518-4-1X	67	53-35-3-1X	53-19-11-1X	47-15-13-2X *
-28	DWT	Pull	2	47-518-4-1X	70	53-35-2-1X	53-19-11-1X	47-15-13-2X *
-29	DSD	Pull	-	-	-	53-35-1-1X	53-19-11-1X	47-15-17-2X *
-30	DSD	Pull	-	-	-	53-35-3-1X	53-19-11-1X	47-15-17-2X *
-31	DSD	Push	-	-	-	53-35-4-1X	47-19-79-1X	47-15-13-2X *
<b>301313-Model 5852-A</b>								
-1	Navistar	Pull	2	46-518-22-1X	8	53-35-12-1X	53-19-11-1X	47-15-17-2X *
-2	Never Released for Production							
-3	Never Released for Production							
-4	Navistar	Push	2	46-518-23	-	53-35-18-1X	47-19-77-1X	47-15-17-2X *
-5	Volvo GM	Push	2	46-518-22-1X	-	53-35-12-1X	47-19-82-1X	47-15-13-2X *

\* - These part numbers have been superseded - see Case Table page 12

PARTS LISTED IN THIS CAALOG MAY NO LONGER ABE AVAILABLE, USE WITH TRANSMISSION SUPERSEDING LIST.



Tab No	Rear Bearing Cap Assy. Cap, Seal and Bushing Pages 11-12 H-1	Speedometer		End Yoke or	Shifter		
		Drive Gear Page 2 B-21	Driven Gear Page 11 H-7	Companion Flange Page 2 B-22	Housing Assy. Pages 14-15	Lever & Dome Assy. Page 19	Remote Control Pages 16-18
<b>301312-Model 5552-D</b>							
-1	53-19-1-4X	-	-	-	47-16-1-8X	47-16-3-1X	-
-2	Never Released for Production						
-3	53-19-3-4X	53-452-2	-	-	47-16-1-8X	-	-
-4	53-19-3-4X	53-452-2	-	-	47-16-1-8X	-	-
-5	53-19-1-4X	53-452-2	-	-	47-16-1-8X	-	-
-6	53-19-7-4X	53-452-3	-	-	47-16-1-8X	-	-
-7	53-19-12-4X	53-452-3	-	-	47-16-1-8X	-	-
-8	53-19-12-4X	53-452-3	-	-	47-16-1-8X	-	-
-9	53-19-7-4X	53-452-3	-	-	47-16-1-8X	-	-
-10	53-19-12-4X	53-452-3	-	-	47-16-1-8X	-	-
-11	Never Released for Production						
-12	53-19-7-4X	53-452-3	-	-	47-16-1-8X	-	-
-13	53-19-13-2X *	-	-	-	47-16-1-8X	-	-
-14	53-19-15-2X	-	-	-	47-16-1-8X	-	-
-15	53-19-15-2X	-	-	-	47-16-1-8X	-	-
-16	53-19-13-2X *	-	-	-	47-16-1-8X	-	-
-17	53-19-17-2X	-	-	-	47-16-1-8X	-	-
-18	53-19-15-2X	-	-	-	47-16-1-8X	-	-
-19	53-19-15-2X	-	-	-	47-16-1-8X	-	-
-20	53-19-17-2X	-	-	-	47-16-1-8X	-	-
-21	53-19-12-4X	-	-	-	47-16-1-8X	47-16-3-1X	-
-22	53-19-13-2X *	-	-	-	47-16-1-8X	-	-
-23	53-19-12-4X	53-452-3	-	-	47-16-1-8X	-	-
-24	53-19-7-2X	53-452-3	-	-	47-16-1-8X	-	-
-25	53-19-12-4X	-	-	53-106-2	47-16-1-8X	47-16-3-1X	-
-26	53-19-1-2X	53-452-2	-	-	47-16-1-8X	-	-
-27	53-19-12-4X	-	-	5-4-6321	47-16-1-8X	-	47-16-8-2X
-28	53-19-12-4X	53-452-3	62-453-4	5-1-6311X	47-16-1-8X	47-16-3-25X	-
-29	53-19-1-2X	-	-	-	47-16-1-8X	47-16-3-1X	-
-30	53-19-1-2X	53-452-2	-	-	47-16-1-8X	-	-
-31	53-19-12-4X	53-452-3	-	-	47-16-1-8X	-	-
<b>301313-Model 5852-A</b>							
-1	53-19-1-4X	-	-	-	47-16-1-8X	47-16-3-1X	-
-2	Never Released for Production						
-3	Never Released for Production						
-4	53-19-1-4X	53-452-2	-	-	47-16-1-8X	-	-
-5	53-19-12-4X	53-452-3	-	-	47-16-1-8X	-	-

\* - This part number has been superseded by 53-19-22-1X

# MODEL CM55



T210-CM55

## TABULATED BILLS OF MATERIAL

Tab No	Used By	For Use With Clutch	Clutch Housing			Main Drive Gear Page 2 A-1	Drive Gear Bearing Cap Page 9 F-2	Case Assembly Page 9 G-1
			S A E	Assembly No. Page 9 E-2	Rel. Code Pages 20-21			
<b>301313-Model 5852-A (Cont'd)</b>								
-6	Navistar	Push	2	46-518-23	-	53-35-18-1X	47-19-77-1X	47-15-17-2X *
-7	Blue Bird Body	Push	2	312830X	56	53-35-12-1X	47-19-78-1X	47-15-19-2X *
-8	Volvo GM	Push	2	312256X	-	53-35-16-1X	47-19-80-1X	47-15-13-2X *
-9	Volvo GM	Push	2	46-518-22-1X	-	53-35-12-1X	47-19-82-1X	47-15-13-2X *
s-10	Volvo GM	Push	-	-	-	53-35-16-1X	47-19-80-1X	47-15-13-2X *
-11	Never Released for Production							
s-12	Volvo GM	Push	-	-	-	53-35-12-1X	47-19-82-1X	47-15-13-2X *
s-13	Chrysler Corp.	Push	-	-	-	53-35-12-1X	47-19-82-1X	47-15-20-2X *
-14	Never Released for Production							
-15	Navistar	Pull	2	47-518-4-1X	-	53-35-13-1X	53-19-11-1X	47-15-17-2X *
-16	Navistar	Pull	2	47-518-4-1X	-	53-35-13-1X	53-19-11-1X	47-15-17-2X *
-17	Never Released for Production							
-18	Volvo GM	Push	2	46-518-22-1X	-	53-35-12-1X	47-19-82-1X	47-15-19-3X *
-19	Volvo GM	Push	2	46-518-22-1X	-	53-35-12-1X	47-19-82-1X	47-15-19-3X *
-20	Never Released for Production							
-21	Volvo GM	Push	2	321256X	-	53-35-16-1X	47-19-80-1X	47-15-19-3X *
-22	Navistar	Pull	2	47-518-4-1X	-	53-35-14-1X	53-19-11-1X	47-15-17-2X *
s-23	Volvo GM	Push	-	-	-	53-35-12-1X	47-19-82-1X	47-15-19-3X *
-24	Foremost	Push	3	46-518-21-1X	57	53-35-12-1X	47-19-82-1X	47-15-13-2X *
-25	Service	Push	2	46-518-22-1X	-	53-35-12-1X	47-19-82-1X	47-15-13-2X *
-26	Service	Pull	-	-	-	53-35-12-1X	53-19-11-1X	47-15-13-2X *
-27	Service	Push	-	-	-	53-35-12-1X	47-19-82-1X	47-15-13-2X *
-28	Volvo GM	Push	-	-	-	53-35-16-1X	47-19-80-1X	47-15-13-2X *
-29	Volvo GM	Push	-	-	-	53-35-12-1X	47-19-82-1X	47-15-13-2X *
-30	Volvo GM	Push	-	-	-	53-35-12-1X	47-19-82-1X	47-15-13-1X *
-31	Service	Pull	2	47-518-4-1X	62	53-35-13-1X	53-19-11-1X	47-15-13-2X *
-32	Volvo GM	Push	2	312256X	-	53-35-16-1X	47-19-80-1X	47-15-13-2X *
-33	Navistar	Pull	2	47-518-4-1X	-	53-35-14-1X	53-19-11-1X	47-15-17-2X *
-34	Volvo GM	Push	2	46-518-13-1X	-	53-35-15-1X	47-19-79-1X	47-15-13-2X *
-35	T.S.P.	Pull	2	46-518-22-1X	2	53-35-12-1X	53-19-11-1X	47-15-13-2X *
-36	Volvo GM	Push	2	46-518-13-1X	-	53-35-15-1X	47-19-79-1X	47-15-13-2X *
-37	Volvo GM	Push	2	46-518-13-1X	-	53-35-15-1X	47-19-79-1X	47-15-13-2X *
-38	Volvo GM	Push	2	46-518-13-1X	-	53-35-15-1X	47-19-79-1X	47-15-19-3X *
-39	Volvo GM	Push	2	46-518-13-1X	-	53-35-15-1X	47-19-79-1X	47-15-19-3X *
-40	Never Released for Production							

\* - These part numbers have been superseded - see Case Table page 12

s - Short Box



Tab No	Rear Bearing Cap Assy. Cap, Seal and Bushing Pages 11-12 H-1	Speedometer		End Yoke or	Shifter		
		Drive Gear Page 2 B-21	Driven Gear Page 11 H-7	Companion Flange Page 2 B-22	Housing Assy. Pages 14-15	Lever & Dome Assy. Page 19	Remote Control Pages 16-18
<b>301313-Model 5852-A (Cont'd)</b>							
-6	53-19-3-4X	53-452-2	-	-	47-16-1-8X	-	-
-7	53-19-12-4X	53-452-3	62-453-4	-	47-16-1-11X	-	-
-8	53-19-12-4X	53-452-3	-	-	47-16-1-8X	-	-
-9	53-19-7-4X	53-452-3	-	-	47-16-1-8X	-	-
-10	53-19-12-4X	-	-	-	-	-	-
-11	Never Released for Production						
-12	53-19-12-4X	-	-	-	-	-	-
-13	53-19-12-4X	-	-	-	-	-	-
-14	Never Released for Production						
-15	53-19-1-4X	53-452-2	-	-	47-16-1-8X	-	-
-16	53-19-3-4X	53-452-2	-	-	47-16-1-8X	-	-
-17	Never Released for Production						
-18	53-19-7-4X	53-452-3	-	-	47-16-1-8X	-	-
-19	53-19-12-4X	53-452-3	-	-	47-16-1-8X	-	-
-20	Never Released for Production						
-21	53-19-12-4X	53-452-3	-	-	47-16-1-8X	-	-
-22	53-19-1-4X	53-452-2	-	-	47-16-1-8X	-	-
-23	53-19-7-4X	-	-	-	-	-	-
-24	53-19-12-4X	-	-	53-106-2	47-16-1-8X	-	-
-25	53-19-12-4X	-	-	-	47-16-1-8X	-	-
-26	53-19-12-4X	-	-	-	47-16-1-8X	47-16-3-1X	-
-27	53-19-12-4X	-	-	-	47-16-1-8X	-	-
-28	53-19-12-4X	-	-	-	47-16-1-10X	-	-
-29	53-19-12-4X	-	-	-	47-16-1-10X	-	-
-30	53-19-12-4X	-	-	-	47-16-1-10X	-	-
-31	53-19-12-4X	-	-	-	47-16-1-8X	-	-
-32	53-19-7-4X	53-452-3	-	-	47-16-1-8X	-	-
-33	53-19-3-4X	53-452-2	-	-	47-16-1-8X	-	-
-34	53-19-12-4X	53-452-3	-	-	47-16-1-10X	-	-
-35	53-19-12-4X	53-452-3	62-453-4	53-106-2	47-16-1-12X	47-16-3-25X	-
-36	53-19-7-4X	53-452-3	-	-	47-16-1-8X	-	-
-37	53-19-12-4X	53-452-3	-	-	47-16-1-8X	-	-
-38	53-19-12-4X	53-452-3	-	-	47-16-1-8X	-	-
-39	53-19-7-4X	53-452-3	-	-	47-16-1-8X	-	-
-40	Never Released for Production						

# MODEL CM55

**SPICER®**



**T210-CM55**

## TABULATED BILLS OF MATERIAL

Tab No	Used By	For Use With Clutch	Clutch Housing			Main Drive Gear Page 2 A-1	Drive Gear Bearing Cap Page 9 F-2	Case Assembly Page 9 G-1
			S A E	Assembly No. Page 9 E-2	Rel. Code Pages 20-21			
<b>301313-Model 5852-A (Cont'd)</b>								
-41	Never Released for Production							
-42	Never Released for Production							
-43	Spicer France	Push	-	-	-	53-35-12-1X	47-19-78-1X	47-15-17-2X *
-44	Volvo GM	Push	2	47-518-10-1X	-	53-35-15-1X	47-19-79-1X	47-15-13-3X *
-45	Volvo GM	Push	2	47-518-10-1X	-	53-35-15-1X	47-19-79-1X	47-15-13-3X *
-46	Never Released for Production							
-47	Otis Eng. Corp.	Push	-	-	-	53-35-15-1X	47-19-79-1X	47-15-13-2X *
-48	Transequipment	Push	3	46-518-21-1X	22	53-35-12-1X	47-19-82-1X	47-15-13-2X *
-49	Never Released for Production							
-50	Vermeer	Push	2	46-518-22-1X	26	53-35-12-1X	47-19-82-1X	47-15-13-2X *
-51	Never Released for Production							
-52	Never Released for Production							
-53	Ford	Push	-	-	-	53-35-20-1X	47-19-73-1X	47-15-14-2X *
-54	Ford	Push	-	-	-	53-35-20-1X	47-19-73-1X	47-15-14-2X *
-55	Ford	Push	-	-	-	53-35-20-1X	47-19-73-1X	47-15-14-2X *
-56	Ford	Push	2	47-518-5	-	53-35-19-1X	47-19-74-1X	47-15-22-2X *
-57	Ford	Push	2	47-518-5	-	53-35-19-1X	47-19-74-1X	47-15-22-2X *
-58	Ford	Push	2	47-518-5	-	53-35-19-1X	47-19-74-1X	47-15-22-2X *
-59	Vermeer	Push	2	46-518-22-1X	26	53-35-12-1X	47-19-82-1X	47-15-13-2X *
-60	Never Released for Production							
-61	Never Released for Production							
-62	Spicer France	Push	-	-	-	53-35-12-1X	47-19-78-1X	47-15-17-2X *
-63	Never Released for Production							
-64	Never Released for Production							
-65	Ford	Pull	2	47-518-4-1X	-	53-35-13-1X	53-19-11-1X	47-15-22-2X *
-66	Ford	Pull	2	47-518-4-1X	-	53-35-13-1X	53-19-11-1X	47-15-22-2X *
-67	Ford	Pull	2	47-518-4-1X	-	53-35-13-1X	53-19-11-1X	47-15-22-2X *
-68	Never Released for Production							
-69	Never Released for Production							
-70	Never Released for Production							
-71	Service	Pull	2	46-518-22-1X	8	53-35-12-1X	53-19-11-1X	47-15-13-2X *
-72	Volvo GM	Pull	2	47-518-4-1X	-	53-35-13-1X	53-19-11-1X	47-15-13-2X *
-73	Volvo GM	Pull	2	47-518-4-1X	-	53-35-13-1X	53-19-11-1X	47-15-13-2X *
-74	Rolligon Corp.	Pull	2	47-518-4-1X	62	53-35-13-1X	53-19-11-1X	47-15-17-2X *
** -75	Spicer France	Push	-	-	-	53-35-12-1X	47-19-78-1X	47-15-17-2X *

\* - These part numbers have superseded - see Case Table page 12

\*\* - Unit has 97-454-2-1X Speedo Sleeve & Oil Sleeve



Tab No	Rear Bearing Cap Assy. Cap, Seal and Bushing Pages 11-12 H-1	Speedometer		End Yoke or Companion Flange Page 2 B-22	Shifter		
		Drive Gear Page 2 B-21	Driven Gear Page 11 H-7		Housing Assy. Pages 14-15	Lever & Dome Assy. Page 19	Remote Control Pages 16-18

**301313-Model 5852-A (Cont'd)**

-41	Never Released for Production						
-42	Never Released for Production						
-43	53-19-12-4X	53-452-4	53-453-2	4-4-4491	47-16-1-11X	-	-
-44	53-19-12-4X	53-452-3	-	-	47-16-1-8X	-	-
-45	53-19-7-4X	53-452-3	-	-	47-16-1-8X	-	-
-46	Never Released for Production						
-47	53-19-12-4X	53-452-3	62-453-4	-	47-16-1-8X	47-16-3-1X	-
-48	53-19-12-4X	-	-	53-106-2	47-16-1-13X	47-16-3-1X	-
-49	Never Released for Production						
-50	53-19-12-4X	-	-	-	47-16-1-8X	-	47-16-8-2X
-51	Never Released for Production						
-52	Never Released for Production						
-53	53-19-13-2X *	-	-	-	47-16-1-8X	-	-
-54	53-19-15-2X	-	-	-	47-16-1-8X	-	-
-55	53-19-17-2X	-	-	-	47-16-1-8X	-	-
-56	53-19-13-2X *	-	-	-	47-16-1-8X	-	-
-57	53-19-15-2X	-	-	-	47-16-1-8X	-	-
-58	53-19-17-2X	-	-	-	47-16-1-8X	-	-
-59	53-19-12-4X	-	-	-	47-16-1-8X	-	-
-60	Never Released for Production						
-61	Never Released for Production						
-62	53-19-12-4X	53-452-4	53-453-2	4-4-4491	47-16-1-8X	47-16-5-43X	-
-63	Never Released for Production						
-64	Never Released for Production						
-65	53-19-13-2X *	-	-	-	47-16-1-8X	-	-
-66	53-19-15-2X	-	-	-	47-16-1-8X	-	-
-67	53-19-17-2X	-	-	-	47-16-1-8X	-	-
-68	Never Released for Production						
-69	Never Released for Production						
-70	Never Released for Production						
-71	53-19-12-4X	-	-	-	47-16-1-8X	47-16-3-1X	-
-72	53-19-7-2X	53-452-3	-	-	47-16-1-8X	-	-
-73	53-19-12-4X	53-452-3	-	-	47-16-1-8X	-	-
-74	53-19-3-4X	53-452-2	-	53-106-2	47-16-1-8X	47-16-5-21X	-
-75	53-19-7-2X	53-452-4	53-453-2	5-1-6311X	47-16-1-11X	-	-

\* - This part number has been superseded by 53-19-22-1X

# MODEL CM55



T210-CM55

## TABULATED BILLS OF MATERIAL

Tab No	Used By	For Use With Clutch	Clutch Housing			Main Drive Gear Page 2 A-1	Drive Gear Bearing Cap Page 9 F-2	Case Assembly Page 9 G-1
			S A E	Assembly No. Page 9 E-2	Rel. Code Pages 20-21			
<b>301313-Model 5852-A (Cont'd)</b>								
-76	DSD	Pull	-	-	-	53-35-14-1X	53-19-11-1X	47-15-17-2X *
-77	DSD	Pull	-	-	-	53-35-14-1X	53-19-11-1X	47-15-17-2X *
-78	DSD	Push	-	-	-	53-35-15-1X	47-19-79-1X	47-15-13-2X *
-79	DSD	Push	-	-	-	53-35-19-1X	47-19-74-1X	47-15-22-2X *
-80	DSD	Pull	-	-	-	53-35-13-1X	53-19-11-1X	47-15-22-2X *
-81	DSD	Pull	-	-	-	53-35-13-1X	53-19-11-1X	47-15-22-2X *
-82	DSD	Push	-	-	-	53-35-12-1X	47-19-82-1X	47-15-13-2X *
-83	Never Released for Production							
-84	Never Released for Production							
-85	Never Released for Production							
-86	Never Released for Production							
-87	Never Released for Production							
-88	Never Released for Production							
-89	Never Released for Production							
-90	Never Released for Production							
-91	Never Released for Production							
-92	Never Released for Production							
** -93	Spicer France	Push	-	-	-	53-35-12-1X	47-19-78-1X	47-15-17-2X *
** -94	Spicer France	Push	-	-	-	53-35-12-1X	47-19-78-1X	47-15-17-2X *
** -95	Spicer France	Push	-	-	-	53-35-12-1X	47-19-78-1X	59-15-7-2X
** -96	Spicer France	Push	-	-	-	53-35-12-1X	47-19-78-1X	59-15-7-2X
<b>301366-Model 5552-A</b>								
-1	Navistar	Pull	2	46-518-22-1X	8	53-35-1-1X	53-19-11-1X	47-15-17-2X *
-2	Service	Push	2	46-518-22-1X	26	53-35-1-1X	47-19-82-1X	47-15-13-2X *
-3	Never Released for Production							
-4	Never Released for Production							
-5	Navistar	Push	2	46-518-23	-	53-35-8-1X	47-19-77-1X	47-15-17-2X *
-6	Navistar	Push	2	46-518-23	-	53-35-8-1X	47-19-77-1X	47-15-17-2X *
-7	Never Released for Production							
-8	Never Released for Production							
-9	Volvo GM	Push	2	46-518-22-1X	-	53-35-1-1X	47-19-82-1X	47-15-13-2X *
-10	Never Released for Production							
-11	Never Released for Production							
-12	Never Released for Production							
-13	Never Released for Production							
-14	FWD Corp.	Push	2	46-518-22-1X	28	53-35-1-1X	47-19-82-1X	47-15-13-2X *
-15	Never Released for Production							

\* - These part numbers have been superseded - see Case table page 12

\*\* - Unit has 97-454-2-1X Speedo Sleeve & Oil Seal

PARTS LISTED IN THIS CATALOG MAY NO LONGER BE AVAILABLE, USE WITH TRANSMISSION SUPERSEDING LIST.





Tab No	Rear Bearing Cap Assy. Cap, Seal and Bushing Pages 11-12 H-1	Speedometer		End Yoke or Companion Flange Page 2 B-22	Shifter		
		Drive Gear Page 2 B-21	Driven Gear Page 11 H-7		Housing Assy. Pages 14-15	Lever & Dome Assy. Page 19	Remote Control Pages 16-18
<b>301313-Model 5852-A (Cont'd)</b>							
-76	53-19-1-4X	53-452-2	-	-	47-16-1-8X	-	-
-77	53-19-3-2X	53-452-2	-	-	47-16-1-8X	-	-
-78	53-19-12-4X	53-452-3	-	-	47-16-1-8X	-	-
-79	53-19-13-2X *	-	-	-	47-16-1-8X	-	-
-80	53-19-13-2X *	-	-	-	47-16-1-8X	-	-
-81	53-19-17-2X	-	-	-	47-16-1-8X	-	-
-82	53-19-12-4X	53-452-3	-	-	47-16-1-8X	-	-
-83	Never Released for Production						
-84	Never Released for Production						
-85	Never Released for Production						
-86	Never Released for Production						
-87	Never Released for Production						
-88	Never Released for Production						
-89	Never Released for Production						
-90	Never Released for Production						
-91	Never Released for Production						
-92	Never Released for Production						
-93	53-19-12-4X	53-452-4	53-453-2	5-4-6321-1	47-16-1-8X	47-16-5-43X	-
-94	53-19-12-4X	53-452-4	53-453-2	5-4-6321-1	47-16-1-11X	-	-
-95	53-19-12-4X	53-452-4	53-453-2	5-4-6321	47-16-1-11X	-	-
-96	53-19-12-4X	53-452-4	53-453-2	5-4-6321	47-16-1-8X	47-16-5-43X	-
<b>301366-Model 5552-A</b>							
-1	53-19-1-4X	-	-	-	47-16-1-8X	47-16-3-1X	-
-2	53-19-12-4X	-	-	-	47-16-1-8X	47-16-3-1X	-
-3	Never Released for Production						
-4	Never Released for Production						
-5	53-19-1-4X	53-452-2	-	-	47-16-1-8X	-	-
-6	53-19-3-4X	53-452-2	-	-	47-16-1-8X	-	-
-7	Never Released for Production						
-8	Never Released for Production						
-9	53-19-12-4X	53-452-3	-	-	47-16-1-8X	-	-
-10	Never Released for Production						
-11	Never Released for Production						
-12	Never Released for Production						
-13	Never Released for Production						
-14	53-19-12-4X	-	-	-	47-16-1-8X	-	-
-15	Never Released for Production						

# MODEL CM55

**SPICER®**



T210-CM55

## TABULATED BILLS OF MATERIAL

Tab No	Used By	For Use With Clutch	Clutch Housing			Main Drive Gear Page 2 A-1	Drive Gear Bearing Cap Page 9 F-2	Case Assembly Page 9 G-1
			S A E	Assembly No. Page 9 E-2	Rel. Code Pages 20-21			
<b>301366-Model 5552-A (Cont'd)</b>								
s-16	Volvo GM	Push	-	-	-	53-35-4-1X	47-19-79-1X	47-15-13-2X *
-17	Never Released for Production							
-18	Navistar	Pull	2	47-518-4-1X	-	53-35-2-1X	53-19-11-1X	47-15-17-2X *
-19	Navistar	Pull	2	47-518-4-1X	-	53-35-2-1X	53-19-11-1X	47-15-17-2X *
-20	Never Released for Production							
-21	Never Released for Production							
-22	Never Released for Production							
-23	Never Released for Production							
-24	Never Released for Production							
-25	Never Released for Production							
-26	Never Released for Production							
-27	Navistar	Pull	2	46-518-4-1X	-	53-35-3-1X	53-19-11-1X	47-15-17-2X *
-28	Never Released for Production							
-29	Never Released for Production							
-30	Never Released for Production							
-31	FWD Corp.	Push	-	-	-	53-35-8-1X	47-19-77-1X	47-15-13-2X *
-32	Never Released for Production							
-33	Never Released for Production							
-34	Never Released for Production							
-35	Never Released for Production							
-36	Volvo GM	Push	-	-	-	53-35-4-1X	47-19-79-1X	47-15-13-2X *
-37	Never Released for Production							
-38	Never Released for Production							
-39	Navistar	Pull	2	47-518-4-1X	-	53-35-3-1X	53-19-11-1X	47-15-17-2X *
-40	DSD	Pull	2	47-518-4-1X	62	53-35-2-1X	53-19-11-1X	47-15-13-2X *
-41	Never Released for Production							
-42	Never Released for Production							
-43	Never Released for Production							
-44	Never Released for Production							
-45	Never Released for Production							
-46	Never Released for Production							
-47	Never Released for Production							
-48	Never Released for Production							
-49	Never Released for Production							
-50	Never Released for Production							

\* - These part numbers have been superseded - see Case table page 12

s - Short Box



Tab No	Rear Bearing Cap Assy. Cap, Seal and Bushing Pages 11-12 H-1	Speedometer		End Yoke or	Shifter		
		Drive Gear Page 2 B-21	Driven Gear Page 11 H-7	Companion Flange Page 2 B-22	Housing Assy. Pages 14-15	Lever & Dome Assy. Page 19	Remote Control Pages 16-18

**301366-Model 5552-A (Cont'd)**

-16	53-19-12-4X	-	-	-	-	-	-
-17	Never Released for Production						
-18	53-19-1-4X	53-452-2	-	-	47-16-1-8X	-	-
-19	53-19-3-4X	53-452-2	-	-	47-16-1-8X	-	-
-20	Never Released for Production						
-21	Never Released for Production						
-22	Never Released for Production						
-23	Never Released for Production						
-24	Never Released for Production						
-25	Never Released for Production						
-26	Never Released for Production						
-27	53-19-1-4X	53-452-2	-	-	47-16-1-8X	-	-
-28	Never Released for Production						
-29	Never Released for Production						
-30	Never Released for Production						
-31	53-19-12-4X	-	-	-	47-16-1-8X	-	-
-32	Never Released for Production						
-33	Never Released for Production						
-34	Never Released for Production						
-35	Never Released for Production						
-36	53-19-12-4X	-	-	-	47-16-1-10X	-	-
-37	Never Released for Production						
-38	Never Released for Production						
-39	53-19-3-4X	53-452-2	-	-	47-16-1-8X	-	-
-40	53-19-12-4X	-	-	-	47-16-1-10X	-	-
-41	Never Released for Production						
-42	Never Released for Production						
-43	Never Released for Production						
-44	Never Released for Production						
-45	Never Released for Production						
-46	Never Released for Production						
-47	Never Released for Production						
-48	Never Released for Production						
-49	Never Released for Production						
-50	Never Released for Production						

# MODEL CM55

**SPICER®**



**T210-CM55**

## TABULATED BILLS OF MATERIAL

Tab No	Used By	For Use With Clutch	Clutch Housing			Main Drive Gear Page 2 A-1	Drive Gear Bearing Cap Page 9 F-2	Case Assembly Page 9 G-1
			S A E	Assembly No. Page 9 E-2	Rel. Code Pages 20-21			
<b>301366-Model 5552-A (Cont'd)</b>								
-51	Spicer France	Push	-	-	-	53-35-1-1X	47-19-78-1X	47-15-17-2X *
-52	Volvo GM	Push	2	46-518-13-1X	-	53-35-4-1X	47-19-79-1X	47-15-13-2X *
-53	Never Released for Production							
-54	Never Released for Production							
-55	Never Released for Production							
-56	Azcon Inc.	Pull	2	47-518-4-1X	62	53-35-2-1X	53-19-11-1X	47-15-13-2X *
-57	Ford	Push	-	-	-	53-35-10-1X	47-19-73-1X	47-15-14-2X *
-58	Ford	Push	-	-	-	53-35-10-1X	47-19-73-1X	47-15-14-2X *
-59	Ford	Push	-	-	-	53-35-10-1X	47-19-73-1X	47-15-14-2X *
-60	Ford	Push	2	47-518-5	-	53-35-9-1X	47-19-74-1X	47-15-22-2X *
-61	Ford	Push	2	47-518-5	-	53-35-9-1X	47-19-74-1X	47-15-22-2X *
-62	Ford	Push	2	47-518-5	-	53-35-9-1X	47-19-74-1X	47-15-22-2X *
-63	Never Released for Production							
-64	Never Released for Production							
-65	Never Released for Production							
-66	Ardco Ind.	Push	3	46-518-21-1X	19	53-35-1-1X	47-19-82-1X	47-15-13-2X *
-67	Ford	Pull	2	47-518-4-1X	-	53-35-2-1X	53-19-11-1X	47-15-22-2X *
-68	Ford	Pull	2	47-518-4-1X	-	53-35-2-1X	53-19-11-1X	47-15-22-2X *
-69	Ford	Pull	2	47-518-4-1X	-	53-35-2-1X	53-19-11-1X	47-15-22-2X *
-70	Never Released for Production							
-71	Volvo GM	Push	2	47-518-10-1X	-	53-35-4-1X	47-19-79-1X	47-15-13-2X *
-72	Never Released for Production							
-73	Never Released for Production							
-74	Never Released for Production							
-75	Never Released for Production							
-76	Never Released for Production							
-77	Never Released for Production							
-78	Never Released for Production							
-79	Never Released for Production							
-80	Never Released for Production							
-81	Never Released for Production							
-82	Never Released for Production							
-83	Volvo GM	Push	2	47-518-10-1X	-	53-35-4-1X	47-19-79-1X	47-15-13-2X *
-84	Davey Kent	Pull	-	-	-	53-35-6-1X	53-19-11-1X	47-15-13-2X *
-85	Never Released for Production							
-86	Never Released for Production							
-87	Never Released for Production							

\* - These part numbers have been superseded - see Case table page 12

PARTS LISTED IN THIS CATALOG MAY NO LONGER BE AVAILABLE, USE WITH TRNASTMISSION SUPERSEDING LIST.



Tab No	Rear Bearing Cap Assy. Cap, Seal and Bushing Pages 11-12 H-1	Speedometer		End Yoke or	Shifter		
		Drive Gear Page 2 B-21	Driven Gear Page 11 H-7	Companion Flange Page 2 B-22	Housing Assy. Pages 14-15	Lever & Dome Assy. Page 19	Remote Control Pages 16-18
<b>301366-Model 5552-A (Cont'd)</b>							
-51	53-19-12-4X	53-452-4	53-453-2	4-4-4491	47-16-1-11X	-	-
-52	53-19-12-4X	53-452-3	-	-	47-16-1-8X	-	-
-53	Never Released for Production						
-54	Never Released for Production						
-55	Never Released for Production						
-56	53-19-12-4X	-	-	53-106-2	47-16-1-8X	47-16-3-1X	-
-57	53-19-13-2X *	-	-	-	47-16-1-8X	-	-
-58	53-19-15-2X	-	-	-	47-16-1-8X	-	-
-59	53-19-17-2X	-	-	-	47-16-1-8X	-	-
-60	53-19-13-2X *	-	-	-	47-16-1-8X	-	-
-61	53-19-15-2X	-	-	-	47-16-1-8X	-	-
-62	53-19-17-2X	-	-	-	47-16-1-8X	-	-
-63	Never Released for Production						
-64	Never Released for Production						
-65	Never Released for Production						
-66	53-19-12-4X	-	-	53-106-1	47-16-1-8X	47-16-5-38X	-
-67	53-19-13-2X *	-	-	-	47-16-1-8X	-	-
-68	53-19-15-2X	-	-	-	47-16-1-8X	-	-
-69	53-19-17-2X	-	-	-	47-16-1-8X	-	-
-70	Never Released for Production						
-71	53-19-7-4X	53-452-3	-	-	47-16-1-8X	-	-
-72	Never Released for Production						
-73	Never Released for Production						
-74	Never Released for Production						
-75	Never Released for Production						
-76	Never Released for Production						
-77	Never Released for Production						
-78	Never Released for Production						
-79	Never Released for Production						
-80	Never Released for Production						
-81	Never Released for Production						
-82	Never Released for Production						
-83	53-19-12-4X	53-452-3	-	-	47-16-1-8X	-	-
-84	53-19-12-4X	-	-	53-106-2	47-16-1-16X	47-16-3-1X	-
-85	Never Released for Production.						
-86	Never Released for Production						
-87	Never Released for Production						

\* - This part has been superseded by 53-19-22-1X

# MODEL CM55



T210-CM55

## TABULATED BILLS OF MATERIAL

Tab No	Used By	For Use With Clutch	Clutch Housing			Main Drive Gear Page 2 A-1	Drive Gear Bearing Cap Page 9 F-2	Case Assembly Page 9 G-1
			S A E	Assembly No. Page 9 E-2	Rel. Code Pages 20-21			
<b>301366--Model 5552-A (Cont'd)</b>								
-88	Stockdale Mine	Pull	-	-	-	53-35-6-1X	53-19-11-1X	47-15-13-2X *
-89	Never Released for Production							
-90	Salem Tool	Pull	2	47-518-4-1X	62	53-35-3-1X	53-19-11-1X	47-15-13-2X *
-91	Never Released for Production							
-92	DSD	Push	-	-	-	53-35-9-1X	47-19-74-1X	47-15-22-2X *
-93	Never Released for Production							
** -94	Spicer France	Push	-	-	-	53-35-1-1X	47-19-78-1X	47-15-17-2X *
-95	Volvo GM	Push	2	312256X	-	53-35-5-1X	47-19-80-1X	47-15-13-2X *
-96	DSD	Pull	-	-	-	53-35-2-1X	53-19-11-1X	47-15-17-2X *
-97	Never Released for Production							
-98	Never Released for Production							
-99	Volvo GM	Pull	2	47-518-4-1X	-	53-35-2-1X	53-19-11-1X	47-15-13-2X *
-100	Spicer Austrla.	Push	2	46-518-22-1X	-	53-35-1-1X	47-19-82-1X	47-15-13-2X *
-101	Cummins Amer.	Push	2	46-518-22-1X	50	53-35-1-1X	47-19-82-1X	47-15-13-2X *
-102	Never Released for Production							
-103	Ford	Push	-	-	-	53-35-10-1X	47-19-73-1X	47-15-14-2X *
-104	Ford	Push	-	-	-	53-35-10-1X	47-19-73-1X	47-15-14-2X *
-105	Ford	Push	2	47-518-5	-	53-35-9-1X	47-19-74-1X	47-15-22-2X *
-106	Ford	Push	2	47-518-5	-	53-35-9-1X	47-19-74-1X	47-15-22-2X *
-107	Ford	Pull	2	47-518-4-1X	-	53-35-2-1X	53-19-11-1X	47-15-22-2X *
-108	Vermeer Mfg.	Push	2	46-518-22-1X	26	53-35-1-1X	47-19-82-1X	47-15-13-2X *
-109	Never Released for Production							
-110	Never Released for Production							
-111	Never Released for Production							
-112	Never Released for Production							
-113	Never Released for Production							
-114	Cummins Amer.	Push	2	46-518-22-1X	50	53-35-1-1X	47-19-82-1X	47-15-13-2X *
-115	M. Byrne Mfg.	Push	3	46-518-21-1X	22	53-35-1-1X	47-19-82-1X	47-15-13-2X *
-116	Ford	Pull	2	47-518-4-1X	-	53-35-2-1X	53-19-11-1X	47-15-22-1X *
-117	DWT	Push	2	46-518-22-1X	50	53-35-1-1X	47-19-82-1X	47-15-13-2X *
-118	DWT	Push	2	46-518-22-1X	50	53-35-1-1X	47-19-82-1X	47-15-13-2X *
-119	DWT	Push	2	312256X	-	53-35-5-1X	47-19-80-1X	47-15-13-2X *
-120	Spicer France	Push	-	-	-	53-35-1-1X	47-19-78-1X	47-15-17-2X *
** -121	Spicer France	Push	-	-	-	53-35-1-1X	47-19-78-1X	47-15-17-2X *
-122	DWT	Push	2	312830X	-	53-35-1-1X	47-19-82-1X	47-15-13-4X *

\* - These part numbers have been superseded - see Case table page 12

\*\* - Unit has 97-454-2-1X Speedo Sleeve & Oil Seal



Tab No	Rear Bearing Cap Assy. Cap, Seal and Bushing Pages 11-12 H-1	Speedometer		End Yoke or	Shifter		
		Drive Gear Page 2 B-21	Driven Gear Page 11 H-7	Companion Flange Page 2 B-22	Housing Assy. Pages 14-15	Lever & Dome Assy. Page 19	Remote Control Pages 16-18
<b>301366-Model 5552-A (Cont'd)</b>							
-88	53-19-12-4X	-	-	3-4-8781	47-16-1-16X	47-16-3-1X	-
-89	Never Released for Production						
-90	53-19-12-4X	-	-	-	47-16-1-8X	-	-
-91	Never Released for Production						
-92	53-19-13-2X *	-	-	-	47-16-1-8X	-	-
-93	Never Released for Production						
-94	53-19-12-4X	53-452-4	53-453-2	4-4-4491	47-16-1-8X	47-16-5-43X	-
-95	53-19-12-4X	53-452-3	-	-	47-16-1-8X	-	-
-96	53-19-1-4X	53-452-2	-	-	47-16-1-8X	-	-
-97	Never Released for Production						
-98	Never Released for Production						
-99	53-19-12-4X	53-452-3	-	-	47-16-1-8X	-	-
-100	53-19-12-4X	53-452-3	62-453-4	5-4-6321	47-16-1-8X	-	47-16-8-3X
-101	53-19-12-4X	53-452-3	62-453-4	3-4-8781	47-16-1-8X	47-16-3-1X	-
-102	Never Released for Production						
-103	53-19-22-1X	53-452-6	-	4-4-4611-2	47-16-1-8X	-	-
-104	53-19-22-1X	53-452-6	-	5-4-6481-1	47-16-1-8X	-	-
-105	53-19-22-1X	53-452-6	-	4-4-4611-2	47-16-1-8X	-	-
-106	53-19-22-1X	53-452-6	-	5-4-6481-1	47-16-1-8X	-	-
-107	53-19-22-1X	53-452-6	-	5-4-6481-1	47-16-1-8X	-	-
-108	47-19-3-2X	-	-	-	47-16-1-18X	-	-
-109	Never Released for Production						
-110	Never Released for Production						
-111	Never Released for Production						
-112	Never Released for Production						
-113	Never Released for Production						
-114	53-19-12-4X	53-452-3	62-453-4	3-4-8781	47-16-1-8X	-	-
-115	53-19-12-4X	53-452-3	62-453-4	53-106-2	47-16-1-8X	-	-
-116	53-19-22-1X	53-452-6	-	4-4-4611-2	47-16-1-8X	-	-
-117	53-19-12-4X	53-452-3	62-453-4	53-106-2	47-16-1-8X	-	47-16-9-3X
-118	53-19-12-4X	53-452-3	62-453-4	53-106-2	47-16-1-8X	47-16-3-1X	-
-119	53-19-12-4X	53-452-3	62-453-4	53-106-2	47-16-1-8X	-	47-16-8-3X
-120	53-19-12-4X	53-452-4	53-453-2	5-4-6321	47-16-1-8X	47-16-5-43X	-
-121	53-19-12-4X	53-452-4	53-453-2	5-4-6321	47-16-1-11X	-	-
-122	53-19-12-4X	53-452-3	62-453-4	53-106-2	47-16-1-8X	-	-

# MODEL CM55

**SPICER®**



T210-CM55

## TABULATED BILLS OF MATERIAL

Tab No	Used By	For Use With Clutch	Clutch Housing			Main Drive Gear Page 2 A-1	Drive Gear Bearing Cap Page 9 F-2	Case Assembly Page 9 G-1
			S A E	Assembly No. Page 9 E-2	Rel. Code Pages 20-21			

**301366-Model 5552-A (Cont'd)**

** -123	Spicer France	Push	-	-	-	53-35-1-1X	47-19-78-1X	59-15-7-2X
** -124	Spicer France	Push	-	-	-	53-35-1-1X	47-19-78-1X	59-15-7-2X
-125	Spicer Austla.	Pull	2	47-518-4-1X	-	53-35-3-1X	53-19-11-1X	47-15-13-2X *
-126	Never Released for Production							
-127	DWT	Push	2	312256X	26	53-35-5-1X	47-19-80-1X	47-15-13-2X *
-128	Ford	Push	-	-	-	53-35-10-1X	47-19-73-1X	47-15-14-2X *
-129	DWT	Pull	2	46-518-22-1X	8	53-35-1-1X	53-19-11-1X	47-15-17-2X *

**301367-Model 5552-B**

-1	Service	Pull	2	46-518-22-1X	8	53-35-1-1X	53-19-11-1X	47-15-17-2X *
-2	Navistar	Push	2	46-518-23	-	53-35-8-1X	47-19-77-1X	47-15-17-2X *
-3	Never Released for Production							
-4	Never Released for Production							
-5	Cummins Amer.	Push	2	46-518-19	-	53-35-1-1X	47-19-82-1X	47-15-20-2X *
-6	Never Released for Production							
-7	Navistar	Pull	2	47-518-4-1X	-	53-35-2-1X	53-19-11-1X	47-15-17-2X *
-8	Navistar	Push	2	46-518-23	-	53-35-8-1X	47-19-77-1X	47-15-17-2X *
-9	Navistar	Pull	2	47-518-4-1X	-	53-35-2-1X	53-19-11-1X	47-15-17-2X *
-10	DSD	Push	2	312830X	-	53-35-1-1X	47-19-82-1X	47-15-13-4X *
-11	Never Released for Production							
-12	Never Released for Production							
-13	Navistar	Pull	2	47-518-4-1X	-	53-35-3-1X	53-19-11-1X	47-15-17-2X *
-14	Never Released for Production							
-15	Never Released for Production							
-16	Never Released for Production							
-17	Never Released for Production							
-18	Never Released for Production							
-19	Never Released for Production							
-20	Never Released for Production							
-21	Never Released for Production							
-22	Never Released for Production							
-23	Navistar	Pull	2	47-518-4-1X	-	53-35-3-1X	53-19-11-1X	47-15-17-2X *
-24	Never Released for Production							
-25	Never Released for Production							
-26	Never Released for Production							
-27	Never Released for Production							
** -28	Blue Bird	Push	2	312830X	56	53-35-1-1X	47-19-78-1X	47-15-19-2X *

\* - These part numbers have been superseded - see Case table page 12

\*\* - Unit has 97-454-2-1X Speedo Sleeve & Oil Seal

PARTS LISTED IN THIS CATALOG MAY NO LONGER BE AVAILABLE, USE WITH TRANSMISSION SUPERSEDING LIST.





Tab No	Rear Bearing Cap Assy. Cap, Seal and Bushing Pages 11-12 H-1	Speedometer		End Yoke or Companion Flange Page 2 B-22	Shifter		
		Drive Gear Page 2 B-21	Driven Gear Page 11 H-7		Housing Assy. Pages 14-15	Lever & Dome Assy. Page 19	Remote Control Pages 16-18
<b>301366-Model 5552-A (Cont'd)</b>							
-123	53-19-12-4X	53-452-4	53-453-2	5-4-6321	47-16-1-11X	-	-
-124	53-19-12-4X	53-452-4	53-453-2	5-4-6321	47-16-1-8X	47-16-5-43X	-
-125	53-19-12-4X	53-452-4	62-453-4	5-4-6321	47-16-1-8X	-	47-16-8-3X
-126	Never Released for Production						
-127	53-19-12-4X	53-452-3	62-453-4	53-106-2	47-16-1-8X	-	47-16-8-3X
-128	53-19-22-1X	53-452-6	-	3-4-8931-2	47-16-1-8X	-	-
-129	53-19-12-4X	53-452-3	62-453-4	3-4-8781	47-16-1-8X	47-16-3-1X	-
<b>301367-Model 5552-B</b>							
-1	53-19-1-4X	-	-	-	47-16-1-8X	47-16-3-1X	-
-2	53-19-1-4X	53-452-2	-	-	47-16-1-8X	-	-
-3	Never Released for Production						
-4	Never Released for Production						
-5	53-19-12-4X	-	-	5-4-6321	47-16-1-8X	-	47-16-9-2X
-6	Never Released for Production						
-7	53-19-1-4X	53-452-2	-	-	47-16-1-8X	-	-
-8	53-19-3-4X	53-452-2	-	-	47-16-1-8X	-	-
-9	53-19-3-4X	53-452-2	-	-	47-16-1-8X	-	-
-10	53-19-12-4X	53-452-3	62-453-4	53-106-2	47-16-1-8X	-	-
-11	Never Released for Production						
-12	Never Released for Production						
-13	53-19-1-4X	53-452-2	-	-	47-16-1-8X	-	-
-14	Never Released for Production						
-15	Never Released for Production						
-16	Never Released for Production						
-17	Never Released for Production						
-18	Never Released for Production						
-19	Never Released for Production						
-20	Never Released for Production						
-21	Never Released for Production						
-22	Never Released for Production						
-23	53-19-3-4X	53-452-2	-	-	47-16-1-8X	-	-
-24	Never Released for Production						
-25	Never Released for Production						
-26	Never Released for Production						
-27	Never Released for Production						
-28	53-19-12-4X	53-452-3	62-453-4	-	47-16-1-11X	-	-





Tab No	Rear Bearing Cap Assy. Cap, Seal and Bushing Pages 11-12 H-1	Speedometer		End Yoke or	Shifter		
		Drive Gear Page 2 B-21	Driven Gear Page 11 H-7	Companion Flange Page 2 B-22	Housing Assy. Pages 14-15	Lever & Dome Assy. Page 19	Remote Control Pages 16-18

**301367-Model 5552-B (Cont'd)**

-29	Never Released for Production						
-30	Never Released for Production						
-31	53-19-12-4X	53-452-3	62-453-4	3-4-8781	47-16-1-8X	-	-
-32	Never Released for Production						
-33	Never Released for Production						
-34	Never Released for Production						
-35	Never Released for Production						
-36	Never Released for Production						
-37	Never Released for Production						
-38	Never Released for Production						
-39	Never Released for Production						
-40	Never Released for Production						
-41	53-19-13-2X *	-	-	-	47-16-1-8X	-	-
-42	53-19-15-2X	-	-	-	47-16-1-8X	-	-
-43	53-19-17-2X	-	-	-	47-16-1-8X	-	-
-44	53-19-13-2X *	-	-	-	47-16-1-8X	-	-
-45	53-19-15-2X	-	-	-	47-16-1-8X	-	-
-46	53-19-17-2X	-	-	-	47-16-1-8X	-	-
-47	Never Released for Production						
-48	Never Released for Production						
-49	Never Released for Production						
-50	Never Released for Production						
-51	Never Released for Production						
-52	53-19-17-2X	-	-	-	47-16-1-8X	-	-
-53	53-19-13-2X *	-	-	-	47-16-1-8X	-	-
-54	Never Released for Production						
-55	Never Released for Production						
-56	Never Released for Production						
-57	53-19-15-2X	-	-	-	47-16-1-8X	-	-
-58	Never Released for Production						
-59	Never Released for Production						
-60	Never Released for Production						
-61	53-19-12-4X	-	-	-	47-16-1-8X	-	-
-62	53-19-12-4X	53-452-3	-	-	47-16-1-8X	-	-
-63	53-19-12-4X	-	-	5-4-6481	47-16-1-8X	-	-

\* - This part number has been superseded by 53 -19-22-1X

# MODEL CM55

**SPICER®**



**T210-CM55**

## TABULATED BILLS OF MATERIAL

Tab No	Used By	For Use With Clutch	Clutch Housing			Main Drive Gear Page 2 A-1	Drive Gear Bearing Cap Page 9 F-2	Case Assembly Page 9 G-1
			S A E	Assembly No. Page 9 E-2	Rel. Code Pages 20-21			
<b>301368-Model 5552-C</b>								
-1	Navistar	Pull	2	46-518-22-1X	8	53-35-1-1X	53-19-11-1X	47-15-17-2X *
-2	Volvo GM	Push	2	46-518-22-1X	-	53-35-1-1X	47-19-82-1X	47-15-13-2X *
** -3	Blue Bird	Push	2	312830X	56	53-35-1-1X	47-19-78-1X	47-15-19-2X *
-4	Never Released for Production							
-5	Never Released for Production							
-6	Volvo GM	Push	2	46-518-22-1X	-	53-35-1-1X	47-19-82-1X	47-15-13-2X *
-7	Never Released for Production							
-8	Never Released for Production							
-9	Never Released for Production							
-10	Never Released for Production							
-11	Never Released for Production							
s-12	Volvo GM	Push	-	-	-	53-35-1-1X	47-19-82-1X	47-15-13-2X *
s-13	Volvo GM	Push	-	-	-	53-35-1-1X	47-19-82-1X	47-15-13-2X *
-14	Navistar	Push	2	46-518-23	-	53-35-8-1X	47-19-77-1X	47-15-17-2X *
-15	Volvo GM	Push	2	46-518-22-1X	-	53-35-1-1X	47-19-82-1X	47-15-13-2X *
-16	Never Released for Production							
-17	Navistar	Pull	2	47-518-4-1X	-	53-35-2-1X	53-19-11-1X	47-15-17-2X *
-18	DSD	Push	-	-	-	53-35-1-1X	47-19-82-1X	47-15-13-2X *
-19	Never Released for Production							
-20	Volvo GM	Push	-	-	-	53-35-1-1X	47-19-82-1X	47-15-13-2X *
-21	Navistar	Pull	2	47-518-4-1X	-	53-35-2-1X	53-19-11-1X	47-15-17-2X *
-22	Omnibus	Push	2	46-518-22-1X	42	53-35-1-1X	47-19-78-1X	47-15-19-2X *
-23	Univ. Go-Tract	Push	2	46-518-22-1X	34	53-35-1-1X	47-19-82-1X	47-15-13-2X *
-24	Never Released for Production							
-25	Volvo GM	Push	2	46-518-13-1X	-	53-35-4-1X	47-19-79-1X	47-15-13-2X *
-26	Volvo GM	Push	2	46-518-13-1X	-	53-35-4-1X	47-19-79-1X	47-15-13-2X *
-27	Never Released for Production							
-28	Volvo GM	Push	2	46-518-13-1X	-	53-35-4-1X	47-19-79-1X	47-15-13-2X *
-29	Never Released for Production							
-30	Service	Push	2	46-518-22-1X	34	53-35-1-1X	47-19-82-1X	47-15-17-2X *
-31	Volvo GM	Push	2	312256X	-	53-35-5-1X	47-19-80-1X	47-15-13-2X *
-32	Never Released for Production							
-33	Navistar	Pull	2	47-518-4-1X	-	53-35-3-1X	53-19-11-1X	47-15-17-2X *
-34	Gradall Co.	Push	2	46-518-22-1X	34	53-35-1-1X	47-19-82-1X	47-15-17-2X *
-35	Never Released for Production							

\* - These part numbers have been superseded - see Case Table page 12

\*\* - Unit has 97-454-2-1X Speedo Sleeve & Oil Seal

s - Short Box

PARTS LISTED IN THIS CATALOG MAY NO LONGER BE AVAILABLE, USE WITH TRANSMISSION SUPERSEDING LIST.



Tab No	Rear Bearing Cap Assy. Cap, Seal and Bushing Pages 11-12 H-1	Speedometer		End Yoke or	Shifter		
		Drive Gear Page 2 B-21	Driven Gear Page 11 H-7	Companion Flange Page 2 B-22	Housing Assy. Pages 14-15	Lever & Dome Assy. Page 19	Remote Control Pages 16-18
<b>301368-Model 5552-C</b>							
-1	53-19-1-4X	-	-	-	47-16-1-8X	47-16-3-1X	-
-2	53-19-12-4X	53-452-3	-	-	47-16-1-8X	-	-
-3	53-19-12-4X	53-452-3	62-453-4	-	47-16-1-11X	-	-
-4	Never Released for Production						
-5	Never Released for Production						
-6	53-19-7-4X	53-452-3	-	-	47-16-1-8X	-	-
-7	Never Released for Production						
-8	Never Released for Production						
-9	Never Released for Production						
-10	Never Released for Production						
-11	Never Released for Production						
-12	53-19-12-4X	-	-	-	-	-	-
-13	53-19-7-4X	-	-	-	-	-	-
-14	53-19-1-4X	53-452-2	-	-	47-16-1-10X	-	-
-15	53-19-12-4X	53-452-3	-	53-106-2	47-16-1-8X	-	-
-16	Never Released for Production						
-17	53-19-3-4X	53-452-2	-	-	47-16-1-8X	-	-
-18	53-19-12-4X	-	-	-	47-16-1-8X	-	-
-19	Never Released for Production						
-20	53-19-12-4X	-	-	-	47-16-1-10X	-	-
-21	53-19-1-4X	53-452-2	-	-	47-16-1-8X	-	-
-22	53-19-12-4X	53-452-3	62-453-2	53-106-1	47-16-1-11X	-	47-16-8-2X
-23	53-19-12-4X	-	-	53-106-2	47-16-1-11X	-	-
-24	Never Released for Production						
-25	53-19-7-4X	53-452-3	-	-	47-16-1-8X	-	-
-26	53-19-12-4X	53-452-3	-	-	47-16-1-8X	-	-
-27	Never Released for Production						
-28	53-19-12-4X	53-452-3	-	5-4-6321	47-16-1-8X	-	-
-29	Never Released for Production						
-30	53-19-12-4X	53-452-3	-	5-4-6321	47-16-1-11X	47-16-3-1X	-
-31	53-19-12-4X	53-452-3	-	-	47-16-1-8X	-	-
-32	Never Released for Production						
-33	53-19-3-4X	53-452-2	-	-	47-16-1-8X	-	-
-34	53-19-12-4X	-	-	5-4-6321	47-16-1-11X	-	-
-35	Never Released for Production						

\* - This part number has been superseded by 53-19-22-1X

# MODEL CM55



## T210-CM55

## TABULATED BILLS OF MATERIAL

Tab No	Used By	For Use With Clutch	Clutch Housing			Main Drive Gear Page 2 A-1	Drive Gear Bearing Cap Page 9 F-2	Case Assembly Page 9 G-1
			S A E	Assembly No. Page 9 E-2	Rel. Code Pages 20-21			

### 301368-Model 5552-C (Cont'd)

-36	Never Released for Production							
-37	Never Released for Production							
-38	Volvo GM	Push	2	47-518-10-1X	-	53-35-4-1X	47-19-79-1X	47-15-13-2X *
-39	Volvo GM	Push	2	47-518-10-1X	-	53-35-4-1X	47-19-79-1X	47-15-13-2X *
-40	Volvo GM	Push	2	47-518-10-1X	-	53-35-4-1X	47-19-79-1X	47-15-13-2X *
-41	Volvo GM	Push	2	312256X	-	53-35-5-1X	47-19-80-1X	47-15-13-2X *
-42	Navistar	Pull	2	47-518-4-1X	-	53-35-3-1X	53-19-11-1X	47-15-17-2X *
-43	Ford	Push	2	47-518-5	-	53-35-9-1X	47-19-74-1X	47-15-22-2X *
-44	Ford	Push	2	47-518-5	-	53-35-9-1X	47-19-74-1X	47-15-22-2X *
-45	Ford	Push	2	47-518-5	-	53-35-9-1X	47-19-74-1X	47-15-22-2X *
-46	Ford	Push	-	-	-	53-35-10-1X	47-19-73-1X	47-15-14-2X *
-47	Ford	Push	-	-	-	53-35-10-1X	47-19-73-1X	47-15-14-2X *
-48	Ford	Push	-	-	-	53-35-10-1X	47-19-73-1X	47-15-14-2X *
-49	Never Released for Production							
-50	Ford	Pull	2	47-518-4-1X	-	53-35-2-1X	53-19-11-1X	47-15-22-2X *
-51	Never Released for Production							
-52	Ford	Pull	2	47-518-4-1X	-	53-35-2-1X	53-19-11-1X	47-15-22-2X *
-53	Ford	Pull	2	47-518-4-1X	-	53-35-2-1X	53-19-11-1X	47-15-22-2X *
-54	Univ. Go-Tract	Push	3	46-518-21-1X	34	53-35-1-1X	47-19-82-1X	47-15-13-2X *
-55	Never Released for Production							
-56	Never Released for Production							
-57	Bendix Skagit	Push	2	46-518-22-1X	38	53-35-1-1X	47-19-82-1X	47-15-13-2X *
-58	Never Released for Production							
-59	Never Released for Production							
-60	Univ. Go-Tract	Push	3	46-518-21-1X	34	53-35-1-1X	47-19-82-1X	47-15-13-2X *
-61	Never Released for Production							
-62	Never Released for Production							
-63	Cummins Amer.	Push	2	46-518-22-1X	50	53-35-1-1X	47-19-82-1X	47-15-13-2X *
-64	Ford	Pull	2	47-518-4-1X	-	53-35-2-1X	53-19-11-1X	47-15-22-2X *
-65	Ford	Push	-	-	-	53-35-10-1X	47-19-73-1X	47-15-14-2X *
-66	Ford	Push	-	-	-	53-35-10-1X	47-19-73-1X	47-15-14-2X *
-67	Ford	Push	2	47-518-5	-	53-35-9-1X	47-19-74-1X	47-15-22-2X *
-68	Ford	Push	2	47-518-5	-	53-35-9-1X	47-19-74-1X	47-15-22-2X *
-69	Volvo GM	Pull	2	47-518-4-1X	-	53-35-2-1X	53-19-11-1X	47-15-13-2X *
-70	Tree Farmer	Push	3	46-518-21-1X	-	53-35-1-1X	47-19-82-1X	47-15-13-2X *
-71	Ford	Push	-	-	-	53-35-10-1X	47-19-73-1X	47-15-14-2X *

\* - These part numbers have been superseded - see Case Table page 12

PARTS LISTED IN THIS CATALOG MAY NO LONGER BE AVAILABLE, USE WITH TRANSMISSION SUPERSEDING LIST.



Tab No	Rear Bearing Cap Assy. Cap, Seal and Bushing Pages 11-12 H-1	Speedometer		End Yoke or Companion Flange Page 2 B-22	Shifter		
		Drive Gear Page 2 B-21	Driven Gear Page 11 H-7		Housing Assy. Pages 14-15	Lever & Dome Assy. Page 19	Remote Control Pages 16-18
<b>301368-Model 5552-C (Cont'd)</b>							
-36	Never Released for Production						
-37	Never Released for Production						
-38	53-19-7-4X	53-452-3	-	-	47-16-1-8X	-	-
-39	53-19-12-4X	53-452-3	-	-	47-16-1-8X	-	-
-40	53-19-12-4X	53-452-3	-	-	47-16-1-8X	-	-
-41	53-19-7-4X	53-452-3	-	-	47-16-1-8X	-	-
-42	53-19-1-4X	53-453-2	-	-	47-16-1-8X	-	-
-43	53-19-13-2X *	-	-	-	47-16-1-8X	-	-
-44	53-19-15-2X	-	-	-	47-16-1-8X	-	-
-45	53-19-17-2X	-	-	-	47-16-1-8X	-	-
-46	53-19-13-2X	-	-	-	47-16-1-8X	-	-
-47	53-19-15-2X	-	-	-	47-16-1-8X	-	-
-48	53-19-17-2X	-	-	-	47-16-1-8X	-	-
-49	Never Released for Production						
-50	53-19-13-2X *	-	-	-	47-16-1-8X	-	-
-51	Never Released for Production						
-52	53-19-17-2X	-	-	-	47-16-1-8X	-	-
-53	53-19-15-2X	-	-	-	47-16-1-8X	-	-
-54	53-19-12-4X	-	-	53-106-2	47-16-1-11X	-	-
-55	Never Released for Production						
-56	Never Released for Production						
-57	47-19-3-2X	-	-	-	47-16-1-13X	-	311582-7X
-58	Never Released for Production						
-59	Never Released for Production						
-60	53-19-12-4X	-	-	53-106-2	47-16-1-11X	-	-
-61	Never Released for Production						
-62	Never Released for Production						
-63	53-19-12-4X	53-452-3	62-453-4	3-4-8781	47-16-1-8X	-	-
-64	53-19-22-1X	53-452-6	-	5-4-6481-1	47-16-1-8X	-	-
-65	53-19-22-1X	53-452-6	-	4-4-4611-2	47-16-1-8X	-	-
-66	53-19-22-1X	53-452-6	-	5-4-6481-1	47-16-1-8X	-	-
-67	53-19-22-1X	53-452-6	-	4-4-4611-2	47-16-1-8X	-	-
-68	53-19-22-1X	53-452-6	-	5-4-6481-1	47-16-1-8X	-	-
-69	53-19-12-4X	53-452-3	-	-	47-16-1-8X	-	-
-70	53-19-12-4X	-	-	4-4-4491	47-16-1-17X	-	-
-71	53-19-22-1X	53-452-6	-	3-4-8931-2	47-16-1-8X	-	-

\* - This part number has been superseded by 53-19-22-1X

# MODEL CM55

**SPICER®**



**T210-CM55**

## TABULATED BILLS OF MATERIAL

Tab No	Used By	For Use With Clutch	Clutch Housing			Main Drive Gear Page 2 A-1	Drive Gear Bearing Cap Page 9 F-2	Case Assembly Page 9 G-1
			S A E	Assembly No. Page 9 E-2	Rel. Code Pages 20-21			
<b>301369-Model 5552-D</b>								
-1	Navistar	Pull	2	46-518-22-1X	8	53-35-1-1X	53-19-11-1X	47-15-17-2X *
-2	Never Released for Production							
-3	Navistar	Push	2	46-518-23	-	53-35-8-1X	47-19-77-1X	47-15-17-2X *
-4	Navistar	Pull	2	47-518-4-1X	-	53-35-3-1X	53-19-11-1X	47-15-17-2X *
-5	Navistar	Pull	2	47-518-4-1X	-	53-35-3-1X	53-19-11-1X	47-15-17-2X *
-6	Volvo GM	Pull	2	47-518-10-1X	-	53-35-4-1X	47-19-79-1X	47-15-13-2X *
-7	Volvo GM	Push	2	47-518-10-1X	-	53-35-4-1X	47-19-79-1X	47-15-13-2X *
-8	Volvo GM	Push	2	46-518-13-1X	-	53-35-4-1X	47-19-79-1X	47-15-13-2X *
-9	Volvo GM	Push	2	46-518-13-1X	-	53-35-4-1X	47-19-79-1X	47-15-13-2X *
-10	Volvo GM	Push	2	312256X	-	53-35-5-1X	47-19-80-1X	47-15-13-2X *
-11	Never Released for Production							
-12	Volvo GM	Push	2	312256X	-	53-35-5-1X	47-19-80-1X	47-15-13-2X *
-13	Ford	Push	2	47-518-5	-	53-35-9-1X	47-19-74-1X	47-15-22-2X *
-14	Ford	Push	2	47-518-5	-	53-35-9-1X	47-19-74-1X	47-15-22-2X *
-15	Ford	Push	2	47-518-5	-	53-35-9-1X	47-19-74-1X	47-15-22-2X *
-16	Ford	Pull	2	47-518-4-1X	-	53-35-2-1X	53-19-11-1X	47-15-22-2X *
-17	Ford	Pull	2	47-518-4-1X	-	53-35-2-1X	53-19-11-1X	47-15-22-2X *
-18	Ford	Pull	2	47-518-4-1X	-	53-35-2-1X	53-19-11-1X	47-15-22-2X *
-19	Ford	Push	-	-	-	53-35-10-1X	47-19-73-1X	47-15-14-2X *
-20	Ford	Push	-	-	-	53-35-10-1X	47-19-73-1X	47-15-14-2X *
-21	Navistar	Pull	2	46-518-22-1X	8	53-35-1-1X	53-19-11-1X	47-15-13-2X *
-22	Ford	Push	-	-	-	53-35-10-1X	47-19-73-1X	47-15-14-2X *
-23	Volvo GM	Pull	2	47-518-4-1X	-	53-35-2-1X	53-19-11-1X	47-15-13-2X *
-24	Volvo GM	Pull	2	47-518-4-1X	-	53-35-2-1X	53-19-11-1X	47-15-13-2X *
-25	Never Released for Production							
-26	Navistar	Push	2	46-518-23	-	53-35-8-1X	47-19-77-1X	47-15-17-2X *
-27	Badger Equip.	Pull	2	47-518-4-1X	67	53-35-3-1X	53-19-11-1X	47-15-13-2X *
-28	Never Released for Production							
-29	Never Released for Production							
-30	DSD	Pull	-	-	-	53-35-3-1X	53-19-11-1X	47-15-17-2X *
-31	Never Released for Production							
-32	Never Released for Production							
-33	Never Released for Production							
** -34	Blue Bird	Push	2	312830X	56	53-35-1-1X	47-19-78-1X	47-15-19-2X *
-35	Cummins Amer.	Push	2	46-518-22-1X	50	53-35-1-1X	47-19-82-1X	47-15-13-2X *

\* - These part numbers have been superseded - see Case Table page 12

\*\* - Unit has 97-454-2-1X Speedo Sleeve & Oil Sleeve





Tab No	Rear Bearing Cap Assy. Cap, Seal and Bushing Pages 11-12 H-1	Speedometer		End Yoke or Companion Flange Page 2 B-22	Shifter		
		Drive Gear Page 2 B-21	Driven Gear Page 11 H-7		Housing Assy. Pages 14-15	Lever & Dome Assy. Page 19	Remote Control Pages 16-18
<b>301369-Model 5552-D</b>							
-1	53-19-1-4X	-	-	-	47-16-1-8X	47-16-3-1X	-
-2	Never Released for Production						
-3	53-19-3-4X	53-452-2	-	-	47-16-1-8X	-	-
-4	53-19-3-4X	53-452-2	-	-	47-16-1-8X	-	-
-5	53-19-1-4X	53-452-2	-	-	47-16-1-8X	-	-
-6	53-19-7-4X	53-452-3	-	-	47-16-1-8X	-	-
-7	53-19-12-4X	53-452-3	-	-	47-16-1-8X	-	-
-8	53-19-12-4X	53-452-3	-	-	47-16-1-8X	-	-
-9	53-19-7-4X	53-452-3	-	-	47-16-1-8X	-	-
-10	53-19-12-4X	53-452-3	-	-	47-16-1-8X	-	-
-11	Never Released for Production						
-12	53-19-7-4X	53-452-3	-	-	47-16-1-8X	-	-
-13	53-19-13-2X *	-	-	-	47-16-1-8X	-	-
-14	53-19-15-2X	-	-	-	47-16-1-8X	-	-
-15	53-19-17-2X	-	-	-	47-16-1-8X	-	-
-16	53-19-13-2X *	-	-	-	47-16-1-8X	-	-
-17	53-19-17-2X	-	-	-	47-16-1-8X	-	-
-18	53-19-15-2X	-	-	-	47-16-1-8X	-	-
-19	53-19-15-2X	-	-	-	47-16-1-8X	-	-
-20	53-19-17-2X	-	-	-	47-16-1-8X	-	-
-21	53-19-12-4X	-	-	-	47-16-1-8X	-	-
-22	53-19-13-2X *	-	-	-	47-16-1-8X	-	-
-23	53-19-12-4X	53-452-3	-	-	47-16-1-8X	-	-
-24	53-19-7-4X	53-452-3	-	-	47-16-1-8X	-	-
-25	Never Released for Production						
-26	53-19-1-4X	53-452-2	-	-	47-16-1-8X	-	-
-27	53-19-12-4X	-	-	5-4-6321	47-16-1-8X	-	47-16-8-2X
-28	Never Released for Production						
-29	Never Released for Production						
-30	53-19-1-4X	53-452-2	-	-	47-16-1-8X	-	-
-31	Never Released for Production						
-32	Never Released for Production						
-33	Never Released for Production						
-34	53-19-12-4X	53-452-3	62-453-4	-	47-16-1-11X	-	-
-35	53-19-12-4X	53-452-3	62-453-4	3-4-8781	47-16-1-8X	-	311528-7X

\* - This part number has been superseded by 53-19-22-1X

# MODEL CM55

**SPICER®**



**T210-CM55**

## TABULATED BILLS OF MATERIAL

Tab No	Used By	For Use With Clutch	Clutch Housing			Main Drive Gear Page 2 A-1	Drive Gear Bearing Cap Page 9 F-2	Case Assembly Page 9 G-1
			S A E	Assembly No. Page 9 E-2	Rel. Code Pages 20-21			
<b>301369-Model 5552-D (Cont'd)</b>								
-36	Ford	Pull	2	47-518-4-1X	-	53-35-2-1X	53-19-11-1X	47-15-22-2X *
-37	Ford	Push	-	-	-	53-35-10-1X	47-19-73-1X	47-15-14-2X *
-38	Ford	Push	-	-	-	53-35-10-1X	47-19-73-1X	47-15-14-2X *
-39	Ford	Push	2	47-518-5	-	53-35-9-1X	47-19-74-1X	47-15-22-2X *
-40	Never Released for Production							
-41	Never Released for Production							
-42	Never Released for Production							
-43	Ford	Push	-	-	-	53-35-10-1X	47-19-73-1X	47-15-14-1X *
-44	Ford	Pull	2	47-518-4-1X	70	53-35-2-1X	53-19-11-1X	47-15-22-2X *
** -45	Ford	Push	2	47-518-5	-	53-35-9-1X	47-19-74-1X	47-15-22-2X *
<b>301370-Model 5852-A</b>								
-1	Navistar	Pull	2	46-518-22-1X	8	53-35-12-1X	53-19-11-1X	47-15-17-2X *
-2	Never Released for Production							
-3	Never Released for Production							
-4	Navistar	Push	2	46-518-23	-	53-35-18-1X	47-19-77-1X	47-15-17-2X *
-5	Volvo GM	Push	2	46-518-22-1X	-	53-35-12-1X	47-19-82-1X	47-15-13-2X *
-6	Never Released for Production							
-7	Never Released for Production							
-8	Never Released for Production							
-9	Never Released for Production							
s-10	Volvo GM	Push	-	-	-	53-35-16-1X	47-19-80-1X	47-15-13-2X *
-11	Never Released for Production							
s-12	Volvo GM	Push	-	-	-	53-35-12-1X	47-19-82-1X	47-15-13-2X *
-13	Never Released for Production							
-14	Never Released for Production							
-15	Navistar	Pull	2	47-518-4-1X	-	53-35-13-1X	53-19-11-1X	47-15-17-2X *
-16	Navistar	Pull	2	47-518-4-1X	-	53-35-13-1X	53-19-11-1X	47-15-17-2X *
-17	Never Released for Production							
-18	Volvo GM	Push	2	46-518-22-1X	-	53-35-12-1X	47-19-82-1X	47-15-19-2X *
-19	Volvo GM	Push	2	46-518-22-1X	-	53-35-12-1X	47-19-82-1X	47-15-19-2X *
-20	Never Released for Production							
-21	Volvo GM	Push	2	312256X	-	53-35-16-1X	47-19-80-1X	47-15-19-2X *
-22	Navistar	Pull	2	46-518-4-1X	-	53-35-14-1X	53-19-11-1X	47-15-17-2X *
s-23	Volvo GM	Push	-	-	-	53-35-12-1X	47-19-82-1X	47-15-13-2X *
-24	Never Released for Production							
-25	Never Released for Production							

\* - These part numbers have been superseded - see Case Table page 12

\*\* - Unit has 97-454-2-1X Speedo Sleeve & Oil Seal

s - Short Box

PARTS LISTED IN THIS CATALOG MAY NO LONGER BE AVAILABLE, USE WITH TRANSMISSION SUPERSEDING LIST.



Tab No	Rear Bearing Cap Assy. Cap, Seal and Bushing Pages 11-12 H-1	Speedometer		End Yoke or	Shifter		
		Drive Gear Page 2 B-21	Driven Gear Page 11 H-7	Companion Flange Page 2 B-22	Housing Assy. Pages 14-15	Lever & Dome Assy. Page 19	Remote Control Pages 16-18
<b>301369-Model 5552-D</b>							
-36	53-19-22-1X	53-452-6	-	5-4-6481-1	47-16-1-8X	-	-
-37	53-19-22-1X	53-452-6	-	4-4-4611-2	47-16-1-8X	-	-
-38	53-19-22-1X	53-452-6	-	5-4-6481-1	47-16-1-8X	-	-
-39	53-19-22-1X	53-452-6	-	4-4-4611-2	47-16-1-8X	-	-
-40	Never Released for Production						
-41	Never Released for Production						
-42	Never Released for Production						
-43	53-19-22-1X	53-452-6	-	3-4-8931-2	47-16-1-8X	-	-
-44	53-19-15-2X	53-452-3	-	-	47-16-1-8X	47-16-3-25X	-
-45	53-19-13-2X *	53-452-3	-	53-106-2	47-16-1-8X	47-16-3-25X	-
<b>301370-Model 5852-A</b>							
-1	53-19-1-4X	-	-	-	47-16-1-8X	47-16-3-1X	-
-2	Never Released for Production						
-3	Never Released for Production						
-4	53-19-1-4X	53-452-2	-	-	47-16-1-8X	-	-
-5	53-19-12-4X	53-452-3	-	-	47-16-1-8X	-	-
-6	Never Released for Production						
-7	Never Released for Production						
-8	Never Released for Production						
-9	Never Released for Production						
-10	53-19-12-4X	-	-	-	-	-	-
-11	Never Released for Production						
-12	53-19-12-4X	-	-	-	-	-	-
-13	Never Released for Production						
-14	Never Released for Production						
-15	53-19-1-4X	53-452-2	-	-	47-16-1-8X	-	-
-16	53-19-3-4X	53-452-2	-	-	47-16-1-8X	-	-
-17	Never Released for Production						
-18	53-19-7-4X	53-452-3	-	-	47-16-1-8X	-	-
-19	53-19-12-4X	53-452-3	-	-	47-16-1-8X	-	-
-20	Never Released for Production						
-21	53-19-12-4X	53-452-3	-	-	47-16-1-8X	-	-
-22	53-19-1-4X	53-452-2	-	-	47-16-1-8X	-	-
-23	53-19-7-4X	-	-	-	-	-	-
-24	Never Released for Production						
-25	Never Released for Production						

\* - This part number has been superseded by 53-19-22-1X

# MODEL CM55

**SPICER®**



**T210-CM55**

## TABULATED BILLS OF MATERIAL

Tab No	Used By	For Use With Clutch	Clutch Housing			Main Drive Gear Page 2 A-1	Drive Gear Bearing Cap Page 9 F-2	Case Assembly Page 9 G-1
			S A E	Assembly No. Page 9 E-2	Rel. Code Pages 20-21			

**301370-Model 5852-A (Cont'd)**

-26	Never Released for Production							
-27	DSD	Push	-	-	-	53-35-12-1X	47-19-82-1X	47-15-13-2X *
-28	Volvo GM	Push	-	-	-	53-35-16-1X	47-19-80-1X	47-15-13-2X *
-29	Volvo GM	Push	-	-	-	53-35-12-1X	47-19-82-1X	47-15-13-2X *
-30	Volvo GM	Push	-	-	-	53-35-12-1X	47-19-82-1X	47-15-13-2X *
-31	Never Released for Production							
-32	Volvo GM	Push	2	312256X	-	53-35-16-1X	47-19-80-1X	47-15-13-2X *
-33	Navistar	Pull	2	47-518-4-1X	-	53-35-14-1X	53-19-11-1X	47-15-17-2X *
-34	Volvo GM	Push	2	46-518-13-1X	-	53-35-15-1X	47-19-79-1X	47-15-13-2X *
-35	Never Released for Production							
-36	Volvo GM	Push	2	46-518-13-1X	-	53-35-15-1X	47-19-79-1X	47-15-13-2X *
-37	Volvo GM	Push	2	46-518-13-1X	-	53-35-15-1X	47-19-79-1X	47-15-13-2X *
-38	Volvo GM	Push	2	46-518-13-1X	-	53-35-15-1X	47-19-79-1X	47-15-19-2X *
-39	Volvo GM	Push	2	46-518-13-1X	-	53-35-15-1X	47-19-79-1X	47-15-19-2X *
-40	Never Released for Production							
-41	Never Released for Production							
-42	Never Released for Production							
** -43	Spicer France	Push	-	-	-	53-35-12-1X	47-19-78-1X	47-15-17-2X *
-44	Volvo GM	Push	2	46-518-10-1X	-	53-35-15-1X	47-19-79-1X	47-15-13-2X *
-45	Volvo GM	Push	2	46-518-10-1X	-	53-35-15-1X	47-19-79-1X	47-15-13-2X *
-46	Never Released for Production							
-47	Never Released for Production							
-48	Never Released for Production							
-49	Never Released for Production							
-50	Never Released for Production							
-51	Never Released for Production							
-52	Never Released for Production							
-53	Ford	Push	-	-	-	53-35-20-1X	47-19-73-1X	47-15-14-2X *
-54	Ford	Push	-	-	-	53-35-20-1X	47-19-73-1X	47-15-14-2X *
-55	Ford	Push	-	-	-	53-35-20-1X	47-19-73-1X	47-15-14-2X *
-56	Ford	Push	2	47-518-5	-	53-35-19-1X	47-19-74-1X	47-15-22-2X *
-57	Ford	Push	2	47-518-5	-	53-35-19-1X	47-19-74-1X	47-15-22-2X *
-58	Ford	Push	2	47-518-5	-	53-35-19-1X	47-19-74-1X	47-15-22-2X *
-59	Never Released for Production							
-60	Never Released for Production							

\* - These part numbers have been superseded - see Case Table page 12

\*\* - Unit has 97-454-2-1X Speedo Sleeve & Oil Seal



Tab No	Rear Bearing Cap Assy. Cap, Seal and Bushing Pages 11-12 H-1	Speedometer		End Yoke or	Shifter		
		Drive Gear Page 2 B-21	Driven Gear Page 11 H-7	Companion Flange Page 2 B-22	Housing Assy. Pages 14-15	Lever & Dome Assy. Page 19	Remote Control Pages 16-18

**301370-Model 5852-A (Cont'd)**

-26	Never Released for Production						
-27	53-19-12-4X	-	-	-	47-16-1-8X	-	-
-28	53-19-12-4X	-	-	-	47-16-1-10X	-	-
-29	53-19-12-4X	-	-	-	47-16-1-10X	-	-
-30	53-19-12-4X	-	-	-	47-16-1-10X	-	-
-31	Never Released for Production						
-32	53-19-7-4X	53-452-3	-	-	47-16-1-8X	-	-
-33	53-19-3-4X	53-452-2	-	-	47-16-1-8X	-	-
-34	53-19-12-4X	53-452-3	-	-	47-16-1-10X	-	-
-35	Never Released for Production						
-36	53-19-7-4X	53-452-3	-	-	47-16-1-8X	-	-
-37	53-19-12-4X	53-452-3	-	-	47-16-1-8X	-	-
-38	53-19-12-4X	53-452-3	-	-	47-16-1-8X	-	-
-39	53-19-7-4X	53-452-3	-	-	47-16-1-8X	-	-
-40	Never Released for Production						
-41	Never Released for Production						
-42	Never Released for Production						
-43	53-19-12-4X	53-452-4	53-453-2	4-4-4491	47-16-1-11X	-	-
-44	53-19-12-4X	53-452-3	-	-	47-16-1-8X	-	-
-45	53-19-7-4X	53-452-3	-	-	47-16-1-8X	-	-
-46	Never Released for Production						
-47	Never Released for Production						
-48	Never Released for Production						
-49	Never Released for Production						
-50	Never Released for Production						
-51	Never Released for Production						
-52	Never Released for Production						
-53	53-19-13-2X *	-	-	-	47-16-1-8X	-	-
-54	53-19-15-2X	-	-	-	47-16-1-8X	-	-
-55	53-19-17-2X	-	-	-	47-16-1-8X	-	-
-56	53-19-13-2X *	-	-	-	47-16-1-8X	-	-
-57	53-19-15-2X	-	-	-	47-16-1-8X	-	-
-58	53-19-17-2X	-	-	-	47-16-1-8X	-	-
-59	Never Released for Production						
-60	Never Released for Production						

\* This part number has been superseded by 53-19-22-1X

# MODEL CM55



T210-CM55

## TABULATED BILLS OF MATERIAL

Tab No	Used By	For Use With Clutch	Clutch Housing			Main Drive Gear Page 2 A-1	Drive Gear Bearing Cap Page 9 F-2	Case Assembly Page 9 G-1
			S A E	Assembly No. Page 9 E-2	Rel. Code Pages 20-21			
301370-Model 5852-A (Cont'd)								
-61	Never Released for Production							
-62	Spicer France	Push	-	-	-	53-35-12-1X	47-19-78-1X	47-15-17-2X *
-63	Never Released for Production							
-64	Never Released for Production							
-65	Ford	Pull	2	47-518-4-1X	-	53-35-13-1X	53-19-11-1X	47-15-22-2X *
-66	Ford	Pull	2	47-518-4-1X	-	53-35-13-1X	53-19-11-1X	47-15-22-2X *
-67	Ford	Pull	2	47-518-4-1X	-	53-35-13-1X	53-19-11-1X	47-15-22-2X *
-68	DSD	Pull	-	-	-	53-35-13-1X	53-19-11-1X	47-15-17-2X *
-69	Never Released for Production							
-70	Never Released for Production							
-71	Never Released for Production							
-72	Volvo GM	Pull	2	47-518-4-1X	-	53-35-13-1X	53-19-11-1X	47-15-13-2X *
-73	Volvo GM	Pull	2	47-518-4-1X	-	53-35-13-1X	53-19-11-1X	47-15-13-2X *
-74	Never Released for Production							
-75	Spicer France	Push	-	-	-	53-35-12-1X	47-19-78-1X	47-15-17-2X *
-76	Never Released for Production							
-77	Never Released for Production							
-78	Never Released for Production							
-79	Never Released for Production							
-80	DSD	Pull	-	-	-	53-35-13-1X	53-19-11-1X	47-15-22-2X *
-81	Never Released for Production							
-82	Never Released for Production							
-83	Never Released for Production							
-84	Ford	Push	-	-	-	53-35-20-1X	47-19-73-1X	47-15-14-2X *
-85	Ford	Push	-	-	-	53-35-20-1X	47-19-73-1X	47-15-14-2X *
-86	Ford	Push	2	47-518-5	-	53-35-19-1X	47-19-74-1X	47-15-22-2X *
-87	Ford	Push	2	47-518-5	-	53-35-19-1X	47-19-74-1X	47-15-22-2X *
-88	Ford	Pull	2	47-518-4-1X	-	53-35-13-1X	53-19-11-1X	47-15-22-2X *
-89	Never Released for Production							
-90	Never Released for Production							
-91	DSD	Push	3	46-518-21-1X	50	53-35-12-1X	47-19-82-1X	47-15-13-2X *
-92	Ford	Pull	2	47-518-4-1X	-	53-35-13-1X	53-19-11-1X	47-15-22-2X *
** -93	Spicer France	Push	-	-	-	53-35-12-1X	47-19-78-1X	47-15-17-2X *
** -94	Spicer France	Push	-	-	-	53-35-12-1X	47-19-78-1X	47-15-17-2X *
** -95	Spicer France	Push	-	-	-	53-35-12-1X	47-19-78-1X	59-15-7-2X
** -96	Spicer France	Push	-	-	-	53-35-12-1X	47-19-78-1X	59-15-7-2X
-97	Ford	Push	-	-	-	53-35-20-1X	47-19-73-1X	47-15-14-2X *

\* - These part numbers have been superseded - see Case Table page 12

\*\* - Unit has 97-454-2-1X Speedo Sleeve & Oil Seal

PARTS LISTED IN THIS CATALOG MAY NO LONGER BE AVAILABLE, USE WITH TRANSMISSION SUPERSEDING LIST.



Tab No	Rear Bearing Cap Assy. Cap, Seal and Bushing Pages 11-12 H-1	Speedometer		End Yoke or	Shifter		
		Drive Gear Page 2 B-21	Driven Gear Page 11 H-7	Companion Flange Page 2 B-22	Housing Assy. Pages 14-15	Lever & Dome Assy. Page 19	Remote Control Pages 16-18

**301370-Model 5852-A (Cont'd)**

-61	Never Released for Production						
-62	53-19-12-4X	53-452-4	53-453-2	4-4-4491	47-16-1-8X	-	-
-63	Never Released for Production						
-64	Never Released for Production						
-65	53-19-13-2X *	-	-	-	47-16-1-8X	-	-
-66	53-19-15-2X	-	-	-	47-16-1-8X	-	-
-67	53-19-17-2X	-	-	-	47-16-1-8X	-	-
-68	53-19-1-4X	53-452-2	-	-	47-16-1-8X	-	-
-69	Never Released for Production						
-70	Never Released for Production						
-71	Never Released for Production						
-72	53-19-7-4X	53-452-3	-	-	47-16-1-8X	-	-
-73	53-19-12-2X	53-452-3	-	-	47-16-1-8X	-	-
-74	Never Released for Production						
-75	53-19-7-2X	53-452-4	53-453-2	5-1-6311X	47-16-1-11X	-	-
-76	Never Released for Production						
-77	Never Released for Production						
-78	Never Released for Production						
-79	Never Released for Production						
-80	53-19-13-2X *	-	-	-	47-16-1-8X	-	-
-81	Never Released for Production						
-82	Never Released for Production						
-83	Never Released for Production						
-84	53-19-22-1X	53-452-6	-	4-4-4611-2	47-16-1-8X	-	-
-85	53-19-22-1X	53-452-6	-	5-4-6481-1	47-16-1-8X	-	-
-86	53-19-22-1X	53-452-6	-	4-4-4611-2	47-16-1-8X	-	-
-87	53-19-22-1X	53-452-6	-	5-4-6481-1	47-16-1-8X	-	-
-88	53-19-22-1X	53-452-6	-	5-4-6481-1	47-16-1-8X	-	-
-89	Never Released for Production						
-90	Never Released for Production						
-91	53-19-12-4X	53-452-3	62-453-4	3-4-8781	47-16-1-13X	47-16-3-1X	-
-92	53-19-22-1X	53-452-6	-	4-4-4611-2	47-16-1-8X	-	-
-93	53-19-12-4X	53-452-4	53-453-2	5-4-6321	47-16-1-8X	47-16-5-43X	-
-94	53-19-12-4X	53-452-4	53-453-2	5-4-6321	47-16-1-11X	-	-
-95	53-19-12-4X	53-452-4	53-453-2	5-4-6321	47-16-1-11X	-	-
-96	53-19-12-4X	53-452-4	53-453-2	5-4-6321	47-16-1-8X	47-16-5-43X	-
-97	53-19-22-1X	53-452-6	-	3-4-8931-2	47-16-1-8X	-	-

This part number has been superseded by 53-19-22-1X

# MODEL CM55

## SUPERSESSION LIST OF CM50 TO ES60-5

**SPICER®**



### T210-CM55

### BILLS OF MATERIAL

CM5052A	CM5052A	CM5552A	CM5552A	CM5952A	ES60-5A
301068-1	301247-1	301309-1	301366-1	301360-1	301460-1
301068-2	301247-2	301309-2	301366-2	301360-2	301460-2
301068-3	301247-3 (1)	None	None	None	None
301068-4	301247-4 (2)	None	None	None	None
301068-5	301247-5	301309-5	301366-5	301360-5	301460-3
301068-6	301247-6	301309-6	301366-6	301360-6	301460-4
301068-7	301247-7	None	None	None	None
301068-8	301247-8	None	None	None	None
301068-9	301247-9	301309-9	301366-9	301360-9	301460-5
301068-10	301247-10	301309-10	None	301360-10	301460-6
301068-11	301247-11	301309-11	None	301360-11	301460-7
301068-12	301247-12	None	None	None	None
301068-13	301247-13	None	None	None	None
301068-14	301247-14	301309-14	301366-14	301360-14	301460-8
301068-15	301247-15	301309-15	None	301360-15	301460-9
301068-16	301247-16	301309-16	301366-16	301360-16	301460-10
301068-17	301247-17	None	None	None	None
301068-18	301247-18	301309-18	301366-18	301360-18	301460-11
301068-19	301247-19	301309-19	301366-19	301360-19	301460-12
301068-20	301247-20	301309-20	None	301360-20	301460-13
301068-21	301247-21	301309-21	None	301360-21	
301068-22	301247-22	301309-22	None	301360-22	301460-14
301068-23	301247-23	301309-23	None	301360-23	301460-15
301068-24	301247-24	301309-24	None	301360-24	301460-16
301068-25	301247-25	None	None	None	None
301068-26	301247-26	301309-26	None	301360-26	301460-17
301068-27	301247-27	301309-27	301366-27	301360-27	301460-18
301068-28	301247-28	None	None	None	None
301068-29	301247-29	301309-29	None	301360-29	301460-19
301068-30	301247-30	301309-30	None	301360-30	301460-20
301068-31	301247-31	301309-31	301366-31	301360-31	301460-21
301068-32	301247-32	301309-32	None	301360-32	301460-22
301068-33	301247-33	None	None	None	None
301068-34	301247-34	301309-34	None	301360-34	301460-23
301068-35	301247-35	301309-35	None	301360-35	301360-24
301068-36	301247-36	301309-36	301366-36	301360-36	301460-25
301068-37	301247-37	301309-37	None	301360-37	301460-26
301068-38	301247-38 (3)	None	None	None	None
301068-39	301247-39	301309-39	301366-39	301360-39	301460-27
301068-40	301247-40	301309-40	301366-40	301360-40	301460-28
301068-41	301247-41	301309-41	None	301360-41	301460-29
301068-42	301247-42	301309-42	None	301360-42	301460-30
301068-43	301247-43	301309-43	None	301360-43	301460-31
301068-44	301247-44	None	None	None	None
301068-45	301247-45	None	None	None	None
301068-46	301247-46	None	None	None	None
301068-47	301247-47	301309-47	None	301360-47	301460-32
301068-48	301247-48 (4)	None	None	None	None

(1),(2),(3),(4) See Page 77

PARTS LISTED IN THIS CATALOG MAY NO LONGER BE AVAILABLE. USE WITH TRANSMISSION SUPERSEDING LIST.



# MODEL CM55

**SPICER®** SUPERSESSON LIST OF CM50 TO ES60-5



## BILLS OF MATERIAL

**T210-CM55**

CM5052A	CM5052A	CM5552A	CM5552A	CM5952A	ES60-5A
301068-49	301247-49	301309-49	None	301360-49	301460-33
301068-50	301247-50	None	None	None	None
301068-51	301247-51	301309-51	301366-51	301360-51	301460-34
301068-52	301247-52	301309-52	301366-52	301360-52	301460-35
None	301247-53	301309-53	None	301360-53	301460-36
None	301247-54	None	None	None	None
None	301247-55	301309-55	None	301360-55	301460-37
None	301247-56	301309-56	301366-56	301360-56	301460-38
None	301247-57	301309-57	301366-57	301360-57	301460-39
None	301247-58	301309-58	301366-58	301360-58	301460-40
None	301247-59	301309-59	301366-59	301360-59	301460-41
None	301247-60	301309-60	301366-60	301360-60	301460-42
None	301247-61	301309-61	301366-61	301360-61	301460-43
None	301247-62	301309-62	301366-62	301360-62	301460-44
None	301247-63	None	None	None	None
None	301247-64	None	None	None	None
None	301247-65	None	None	None	None
None	301247-66	301309-66	301366-66	301360-66	301460-45
None	301247-67	301309-67	301366-67	301360-67	301460-46
None	301247-68	301309-68	301366-68	301360-68	301460-47
None	301247-69	301309-69	301366-69	301360-69	301460-48
None	301247-70	301309-70	None	301360-70	301460-49
None	301247-71	301309-71	301366-71	301360-71	301460-50
None	301247-72	301309-72	None	301360-72	301460-51
None	301247-73	301309-73	None	301360-73	301460-52
None	301247-74	None	None	None	None
None	301247-75	None	None	None	None
None	301247-76	None	None	None	None
None	301247-77	301309-77	None	301360-77	301460-53
None	301247-78	301309-78	None	301360-78	301460-54
None	301247-79	None	None	None	None
None	301247-80	None	None	None	None
None	301247-81	301309-81	None	301360-81	301460-55
None	301247-82	301309-82	None	301360-82	301460-56
None	301247-83	301309-83	301366-83	301360-83	301460-57
None	301247-84	301309-84	301366-84	301360-84	301460-58
None	None	301309-85	None	301360-85	301460-59
None	None	301309-86	None	None	None
None	None	301309-87	None	301360-87	301460-60
None	None	301309-88	301366-88	301360-88	301460-61
None	None	301309-89	None	None	None
None	None	301309-90	301366-90	301360-90	301460-62
None	None	301309-91	None	None	None
None	None	301309-92	301366-92	None	None
None	None	301309-93	None	None	None
None	None	301309-94	301366-94	None	None
None	None	301309-95	301366-95	301360-95	301460-63
None	None	301309-96	301366-96	None	None
None	None	301309-97	None	None	None

# MODEL CM55

## SUPERSESSION LIST OF CM50 TO ES60-5

**SPICER®**



### T210-CM55

### BILLS OF MATERIAL

CM5052A	CM5052A	CM5552A	CM5552A	CM5952A	ES60-5A
None	None	301309-98	None	None	None
None	None	301309-99	301366-99	301360-99	301460-64
None	None	301309-100	301366-100	None	None
None	None	None	301366-101	None	301460-79
None	None	301309-102	None	None	None
None	None	None	301366-103	301360-103	301460-65
None	None	None	301366-104	301360-104	301460-66
None	None	None	301366-105	301360-105	301460-67
None	None	None	301366-106	301360-106	301460-68
None	None	None	301366-107	301360-107	301460-69
None	None	301309-108	301366-108	301360-108	301460-70
None	None	301309-109	None	301360-109	301460-71
None	None	None	None	301360-110	301460-72
None	None	None	None	301360-111	301460-73
None	None	None	None	301360-112	301460-74
None	None	None	None	301360-113	301460-75
None	None	None	301366-114	None	None
None	None	None	301366-115	None	None
None	None	None	301366-116	None	None
None	None	None	301366-117	None	None
None	None	None	301366-118	None	None
None	None	None	301366-119	None	None
None	None	301309-120	301366-120	None	None
None	None	301309-121	301366-121	None	None
None	None	None	301366-122	None	301460-78
None	None	301309-123	301366-123	None	None
None	None	301309-124	301366-124	None	None
None	None	None	301366-125	None	None
None	None	None	None	301360-126	301460-76
None	None	None	301366-127	None	None
None	None	None	301366-128	None	301460-80
None	None	None	301366-129	None	None
None	None	None	None	None	301460-77

CM5052B	CM5052B	CM5552B	CM5552B	CM5952B	ES60-5B
301079-1	301248-1	301310-1	301367-1	None	None
301079-2	301248-2	301310-2	301367-2	None	None
301079-3	301248-3 (5)	None	None	None	None
301079-4	301248-4	301310-4	None	None	None
301079-5	301248-5	None	301367-5	None	None
301079-6	301248-6	301310-6	None	None	None
301079-7	301248-7	301310-7	301367-7	None	None
301079-8	301248-8	301310-8	301367-8	None	None
301079-9	301248-9	301310-9	301367-9	None	None
301079-10	301248-10	None	301367-10	None	None
301079-11	301248-11	301310-11	None	None	None
301079-12	301248-12	301310-12	None	None	None
301079-13	301248-13	301310-13	301367-13	None	None

(5) See Page 77

PARTS LISTED IN THIS CATALOG MAY NO LONGER BE AVAILABLE, USE WITH TRANSMISSION SUPERSEDING LIST.



# MODEL CM55

## SUPERSESSION LIST OF CM50 TO ES60-5



### BILLS OF MATERIAL

### T210-CM55

CM5052B	CM5052B	CM5552B	CM5552B	CM5952B	ES60-5B
301079-14	301248-14	301310-14	None	None	None
301079-15	301248-15	301310-15	None	None	None
301079-16	301248-16	301310-16	None	None	None
301079-17	301248-17	301310-17	None	None	None
301079-18	301248-18	301310-18	None	None	None
301079-19	301248-19	301310-19	None	None	None
301079-20	301248-20	301310-20	None	None	None
301079-21	301248-21	301310-21	None	None	None
301079-22	301248-22	301310-22	None	None	None
301079-23	301248-23	301310-23	301367-23	None	None
301079-24	301248-24	301310-24	None	None	None
301079-25	301248-25	301310-25	None	None	None
301079-26	301248-26	None	None	None	None
301079-27	301248-27	301310-27	None	None	None
301079-28	301248-28	301310-28	301367-28	None	None
301079-29	301248-29	301310-29	None	None	None
None	301248-30	301310-30	None	None	None
301079-31	301248-31	None	301367-31	None	None
None	301248-32 (6)	None	None	None	None
None	301248-33	301310-33	None	None	None
None	301248-34	301310-34	None	None	None
None	301248-35	None	None	None	None
None	301248-36	None	None	None	None
None	301248-37	None	None	None	None
None	301248-38	None	None	None	None
None	301248-39	None	None	None	None
None	301248-40 (7)	None	None	None	None
None	301248-41	301310-41	301367-41	None	None
None	301248-42	301310-42	301367-42	None	None
None	301248-43	301310-43	301367-43	None	None
None	301248-44	301310-44	301367-44	None	None
None	301248-45	301310-45	301367-45	None	None
None	301248-46	301310-46	301367-46	None	None
None	301248-47	301310-47	None	None	None
None	301248-48	301310-48	None	None	None
None	301248-49	301310-49	None	None	None
None	301248-50	None	None	None	None
None	301248-51	301310-51	None	None	None
None	301248-52	301310-52	301367-52	None	None
None	301248-53	301310-53	301367-53	None	None
None	301248-54	None	None	None	None
None	301248-55	301310-55	None	None	None
None	301248-56	None	None	None	None
None	None	301310-57	301367-57	None	None
None	None	301310-58	None	None	None
None	None	301310-59	None	None	None
None	None	301310-60	None	None	None
None	None	301310-61	301367-61	None	None
None	None	301310-62	301367-62	None	None
None	None	None	301367-63	None	None

(6),(7) See Page 77

# MODEL CM55

## SUPERSESSION LIST OF CM50 TO ES60-5

**SPICER®**



### T210-CM55

### BILLS OF MATERIAL

CM5052C	CM5052C	CM5552C	CM5552C	CM5952C	ES60-5C
301080-1	301249-1	301311-1	301368-1	301362-1	301461-1
301080-2	301249-2	301311-2	301368-2	301362-2	301461-2
301080-3	301249-3	301311-3	301368-3	301362-3	301461-3
301080-4	301249-4	301311-4	None	301362-4	301461-4
301080-5	301249-5	None	None	None	None
301080-6	301249-6	301311-6	301368-6	301362-6	301461-5
301080-7	301249-7	301311-7	None	301362-7	301461-6
301080-8	301249-8 (8)	None	None	None	None
301080-9	301249-9	None	None	301362-9	301461-50
301080-10	301249-10	None	None	None	None
301080-11	301249-11	None	None	None	None
301080-12	301249-12	301311-12	301368-12	301362-12	301461-7
301080-13	301249-13	301311-13	301368-13	301362-13	301461-8
301080-14	301249-14	301311-14	301368-14	301362-14	301461-9
301080-15	301249-15	301311-15	301368-15	301362-15	301461-10
301080-16	301249-16	None	None	None	None
301080-17	301249-17	301311-17	301368-17	301362-17	301461-11
301080-18	301249-18	301311-18	301368-18	301362-18	301461-12
301080-19	301249-19	301311-19	None	301362-19	301461-13
301080-20	301249-20	301311-20	301368-20	301362-20	301461-14
301080-21	301249-21	301311-21	301368-21	301362-21	301461-15
301080-22	301249-22	301311-22	301368-22	301362-22	None
301080-23	301249-23	301311-23	301368-23	301362-23	301461-16
301080-24	301249-24	301311-24	None	301362-24	301461-17
301080-25	301249-25	301311-25	301368-25	301362-25	301461-18
301080-26	301249-26	301311-26	301368-26	301362-26	301461-19
301080-27	301249-27	None	None	None	None
301080-28	301249-28	301311-28	301368-28	301362-28	301461-20
301080-29	301249-29 (9)	None	None	None	None
301080-30	301249-30	301311-30	301368-30	301362-30	301461-21
301080-31	301249-31	301311-31	301368-31	301362-31	301461-22
301080-32	301249-32	301311-32	None	None	None
301080-33	301249-33	301311 33	301368-33	301362-33	301461-23
301080-34	301249-34	301311-34	301368-34	301362-34	301461-24
301080-35	301249-35	None	None	None	None
301080-36	301249-36	301311-36	None	301362-36	301461-25
301080-37	301249-37	301311-37	None	301362-37	301461-26
None	301249-38	301311-38	301368-38	301362-38	301461-27
None	301249-39	301311-39	301368-39	301362-39	301461-28
None	301249-40	301311-40	301368-40	301362-40	301461-29
None	301249-41	301311-41	301368-41	301362-41	301461-30
None	301249-42	301311-42	301368-42	301362-42	301461-31
None	301249-43	301311-43	301368-43	301362-43	301461-32
None	301249-44	301311-44	301368-44	301362-44	301461-33
None	301249-45	301311-45	301368-45	301362-45	301461-34
None	301249-46	301311-46	301368-46	301362-46	301461-35
None	301249-47	301311-47	301368-47	301362-47	301461-36
None	301249-48	301311-48	301368-48	301362-48	301461-37
None	301249-49	301311-49	None	301362-49	301461-38

(8),(9) See Page 77

PARTS LISTED IN THIS CATALOG MAY NO LONGER BE AVAILABLE, USE WITH TRANSMISSION SUPERSEDING LIST.

# MODEL CM55

**SPICER®** SUPERSESSION LIST OF CM50 TO ES60-5



## BILLS OF MATERIAL

**T210-CM55**

CM5052C	CM5052C	CM5552C	CM5552C	CM5952C	ES60-5C
None	301249-50	301311-50	301368-50	301362-50	301461-39
None	301249-51	301311-51	None	301362-51	301461-40
None	301249-52	301311-52	301368-52	301362-52	301461-41
None	None	301311-53	301368-53	301362-53	301461-42
None	None	301311-54	301368-54	301362-54	301461-43
None	None	301311-55	None	301362-55	301461-44
None	None	301311-56	None	301362-56	301461-45
None	None	None	301368-57	None	None
None	None	301311-58	None	None	None
None	None	301311-59	None	None	None
None	None	301311-60	301368-60	301362-60	301461-46
None	None	None	None	301362-61	301461-47
None	None	301311-62	None	None	None
None	None	None	301368-63	None	None
None	None	None	301368-64	None	None
None	None	None	301368-65	None	None
None	None	None	301368-66	None	None
None	None	None	301368-67	None	None
None	None	None	301368-68	None	None
None	None	None	301368-69	301362-69	301461-48
None	None	None	301368-70	301362-70	301461-49
None	None	None	301368-71	None	None
None	None	None	None	301362-72	301461-51
None	None	None	None	301362-73	None
None	None	None	None	301362-74	301461-52

CM5052D	CM5052D	CM5552D	CM5552D	CM5952D	ES60-5D
301230-1	301250-1	301312-1	301369-1	301363-1	301462-1
301230-2	301250-2 (10)	None	None	None	None
301230-3	301250-3	301312-3	301369-3	301363-3	301462-2
301230-4	301250-4	301312-4	301369-4	301363-4	301462-3
None	301250-5	301312-5	301369-5	301363-5	301462-4
None	301250-6	301312-6	301369-6	301363-6	301462-5
None	301250-7	301312-7	301369-7	301363-7	301462-6
None	None	301312-8	301369-8	301363-8	301462-7
None	None	301312-9	301369-9	301363-9	301462-8
None	None	301312-10	301369-10	301363-10	301462-9
None	None	None	None	None	None
None	None	301312-12	301369-12	301363-12	301462-10
None	301250-8	301312-13	301369-13	301363-13	301462-11
None	301250-9	301312-14	301369-14	301363-14	301462-12
None	301250-10	301312-15	301369-15	301363-15	301462-13
None	301250-12	301312-16	301369-16	301363-16	301462-14
None	301250-13	301312-17	301369-17	301363-17	301462-15
None	None	301312-18	301369-18	301363-18	301462-16
None	None	301312-19	301369-19	301363-19	301462-17
None	None	301312-20	301369-20	301363-20	301462-18
None	None	301312-21	301369-21	301363-21	301462-19

(10) See Page 77

# MODEL CM55

## SUPERSESSON LIST OF CM50 TO ES60-5

**SPICER®**



### T210-CM55

### BILLS OF MATERIAL

CM5052D	CM5052D	CM5552D	CM5552D	CM5952D	ES60-5D
None	None	301312-22	301369-22	301363-22	301462-20
None	None	301312-23	301369-23	301363-23	301462-21
None	None	301312-24	301369-24	301363-24	301462-22
None	None	301312-25	None	301363-25	301462-23
None	None	301312-26	301369-26	301363-26	301462-24
None	None	301312-27	301369-27	301363-27	301462-25
None	None	301312-28	None	301363-28	301462-26
None	None	301312-29	None	None	None
None	None	301312-30	301369-30	None	None
None	None	301312-31	None	None	None
None	None	None	None	301363-32	301462-27
None	None	None	None	301363-33	301462-28
None	None	None	301369-34	None	None
None	None	None	301369-35	None	None
None	None	None	301369-36	None	None
None	None	None	301369-37	None	None
None	None	None	301369-38	None	None
None	None	None	301369-39	None	None
None	None	None	None	None	None
None	None	None	None	301363-41	301462-29
None	None	None	None	301363-42	301462-30
None	None	None	301369-43	None	None
None	None	None	301369-44	None	None
None	None	None	301369-45	None	None

CM5252A	CM5252A	CM5852A	CM5852A	CM5952E	ES60-5E
301081-1	301251-1	301313-1	301370-1	None	None
301081-2	301251-2 (11)	None	None	None	None
301081-3	301251-3	None	None	None	None
301081-4	301251-4	301313-4	301370-4	301364-4	301463-59
301081-5	301251-5	301313-5	301370-5	301364-5	301463-1
301081-6	301251-6	301313-6	301370-6	301364-6	301463-2
301081-7	301251-7	301313-7	None	301364-7	301463-3
301081-8	301251-8	301313-8	301370-8	301364-8	301463-4
301081-9	301251-9	301313-9	301370-9	301364-9	301463-5
301081-10	301251-10	301313-10	301370-10	301364-10	301463-6
None	None	None	None	None	None
301081-12	301251-12	301313-12	301370-12	301364-12	301463-7
301081-13	301251-13	301313-13	None	None	None
None	None	None	None	None	None
301081-15	301251-15	301313-15	301370-15	301364-15	301463-8
301081-16	301251-16	301313-16	301370-16	301364-16	301463-9
301081-17	301251-17	None	None	None	None
301081-18	301251-18	301313-18	301370-18	301364-18	301463-10
301081-19	301251-19	301313-19	301370-19	301364-19	301463-11
301081-20	301251-20	None	None	None	None
301081-21	301251-21	301313-21	301370-21	301364-21	301463-12
301081-22	301251-22	301313-22	301370-22	301364-22	301463-13

(11) See Page 77

PARTS LISTED IN THIS CATALOG MAY NO LONGER BE AVAILABLE, USE WITH TRANSMISSION SUPERSEDING LIST.

# MODEL CM55

**SPICER®** SUPERSESSON LIST OF CM50 TO ES60-5



## BILLS OF MATERIAL

**T210-CM55**

5252A	CM5252A	CM5852A	CM5852A	CM5952E	ES60-5E
301081-23	301251-23	301313-23	301370-23	301364-23	301463-14
301081-24	301251-24	301313-24	None	301364-24	301463-15
301081-25	301251-25	301313-25	None	301364-25	301463-16
301081-26	301251-26	301313-26	None	301364-26	301463-17
301081-27	301251-27	301313-27	301370-27	301364-27	301463-18
301081-28	301251-28	301313-28	301370-28	301364-28	301463-19
301081-29	301251-29	301313-29	301370-29	301364-29	301463-20
301081-30	301251-30 (12)	301313-30	301370-30	None	None
301081-31	301251-31	301313-31	None	301364-31	301463-21
301081-32	301251-32	301313-32	301370-32	301364-32	301463-22
301081-33	301251-33	301313-33	301370-33	301364-33	301463-23
301081-34	301251-34	301313-34	301370-34	301364-34	301463-24
301081-35	301251-35	301313-35	None	301364-35	301463-25
301081-36	301251-36	301313-36	301370-36	301364-36	301463-26
301081-37	301251-37	301313-37	301370-37	301364-37	301463-27
301081-38	301251-38	301313-38	301370-38	301364-38	301463-28
301081-39	301251-39	301313-39	301370-39	301364-39	301463-29
None	301251-40 (13)	None	None	None	None
301081-41	301251-41	None	None	None	None
301081-42	301251-42	None	None	None	None
301081-43	301251-43	301313-43	301370-43	301364-43	301463-30
None	301251-44	301313-44	301370-44	301364-44	301463-31
None	301251-45	301313-45	301370-45	301364-45	301463-32
None	301251-46	None	None	None	None
None	301251-47	301313-47	None	None	None
None	301251-48	301313-48	None	301364-48	301463-33
None	301251-49	None	None	None	None
None	301251-50	301313-50	None	301364-50	301463-34
None	301251-51	None	None	None	None
None	301251-52	None	None	None	None
None	301251-53	301313-53	301370-53	301364-53	301463-35
None	301251-54	301313-54	301370-54	301364-54	301463-36
None	301251-55	301313-55	301370-55	301364-55	301463-37
None	301251-56	301313-56	301370-56	301364-56	301463-38
None	301251-57	301313-57	301370-57	301364-57	301463-39
None	301251-58	301313-58	301370-58	301364-58	301463-40
None	301251-59	301313-59	None	301364-59	301463-41
None	301251-60	None	None	None	None
None	301251-61	None	None	None	None
None	301251-62	301313-62	301370-62	None	None
None	301251-63	None	None	None	None
None	301251-64	None	None	None	None
None	301251-65	301313-65	301370-65	301364-65	301463-42
None	301251-66	301313-66	301370-66	301364-66	301463-43
None	301251-67	301313-67	301370-67	301364-67	301463-44
None	None	None	301370-68	None	None
None	None	None	None	None	None
None	None	None	None	None	None

(11),(12),(13) See Page 77

# MODEL CM55

## SUPERSESSION LIST OF CM50 TO ES60-5

**SPICER®**



### T210-CM55

### BILLS OF MATERIAL

CM5252A	CM5252A	CM5852A	CM5852A	CM5952E	ES60-5E
None	None	301313-71	None	301364-71	301463-45
None	None	301313-72	301370-72	301364-72	301463-46
None	None	301313-73	301370-73	301364-73	301463-47
None	None	301313-74	None	301364-74	301463-48
None	None	301313-75	301370-75	301364-75	301463-49
None	None	301313-76	None	None	None
None	None	301313-77	None	None	None
None	None	301313-78	None	None	None
None	None	301313-79	None	None	None
None	None	301313-80	301370-80	None	None
None	None	301313-81	None	None	None
None	None	301313-82	None	None	None
None	None	None	None	301364-83	301463-50
None	None	None	301370-84	301364-84	301463-51
None	None	None	301370-85	301364-85	301463-52
None	None	None	301370-86	301364-86	301463-53
None	None	None	301370-87	301364-87	301463-54
None	None	None	301370-88	301364-88	301463-55
None	None	None	None	301364-89	301463-56
None	None	None	None	301364-90	301463-57
None	None	None	301370-91	None	None
None	None	None	301370-92	None	None
None	None	301313-93	301370-93	None	None
None	None	301313-94	301370-94	None	None
None	None	301313-95	301370-95	None	None
None	None	301313-96	301370-96	None	None
None	None	None	301370-97	None	None
None	None	None	None	None	301463-58
None	None	None	None	None	301463-60
None	None	None	None	None	301463-61
None	None	None	None	None	301463-62
None	None	None	None	None	301463-63

PARTS LISTED IN THIS CATALOG MAY NO LONGER BE AVAILABLE, USE WITH TRANSMISSION SUPERSEDING LIST.





# MODEL CM55

## SUPERSESSION LIST OF CM50 TO ES60-5

T210-CM55

### FOOT NOTE EXPLANATION

Rear Bearing Cap, which can be identified by application. The Bearing Cap on the superseded B/M is unknown since it was provided by the O.E.

FOOT NOTE	B/M	SUPRSD. BY B/M	APPLICATION	FOOT NOTE	B/M	SUPRSD. BY B/M	APPLICATION
(1)	301247-3	301247-57 301247-58 301247-59	AIR BRAKE 9" X 3" BRAKE 12" X 4" BRAKE	(8)	301249-8	301249-46 301249-47 301249-48	AIR BRAKE 9" X 3" BRAKE 12" X 4" BRAKE
(2)	301247-4	301247-74 301247-75 301247-76	AIR BRAKE 9" X 3" BRAKE 12" X 4" BRAKE	(9)	301249-29	301249-43 301249-44 301249-45	AIR BRAKE 9" X 3" BRAKE 12" X 4" BRAKE
(3)	301247-38	301247-60 301247-61 301247-62	AIR BRAKE 9" X 3" BRAKE 12" X 4" BRAKE	(10)	301250-2	301250-8 301250-9 301250-10	AIR BRAKE 9" X 3" BRAKE 12" X 4" BRAKE
(4)	301247-48	301247-63 301247-64 301247-65	AIR BRAKE 9" X 3" BRAKE 12" X 4" BRAKE	(11)	301251-2	301251-53 301251-54 301251-55	AIR BRAKE 9" X 3" BRAKE 12" X 4" BRAKE
(5)	301248-3	301248-36 301248-37 301248-38	AIR BRAKE 9" X 3" BRAKE 12" X 4" BRAKE	(12)	301251-30	301251-56 301251-57 301251-58	AIR BRAKE 9" X 3" BRAKE 12" X 4" BRAKE
(6)	301248-32	301248-44 301248-45 301248-46	AIR BRAKE 9" X 3" BRAKE 12" X 4" BRAKE	(13)	301251-40	301251-60 301251-61 301251-62	AIR BRAKE 9" X 3" BRAKE 12" X 4" BRAKE
(7)	301248-40	301248-41 301248-42 301248-43	AIR BRAKE 9" X 3" BRAKE 12" X 4" BRAKE				



14700 Helm Court  
Plymouth, MI 48170  
(800) 401-9866 or (734) 456-3770  
Fax: (734) 456-3739  
[www.ttcautomotive.com](http://www.ttcautomotive.com)

