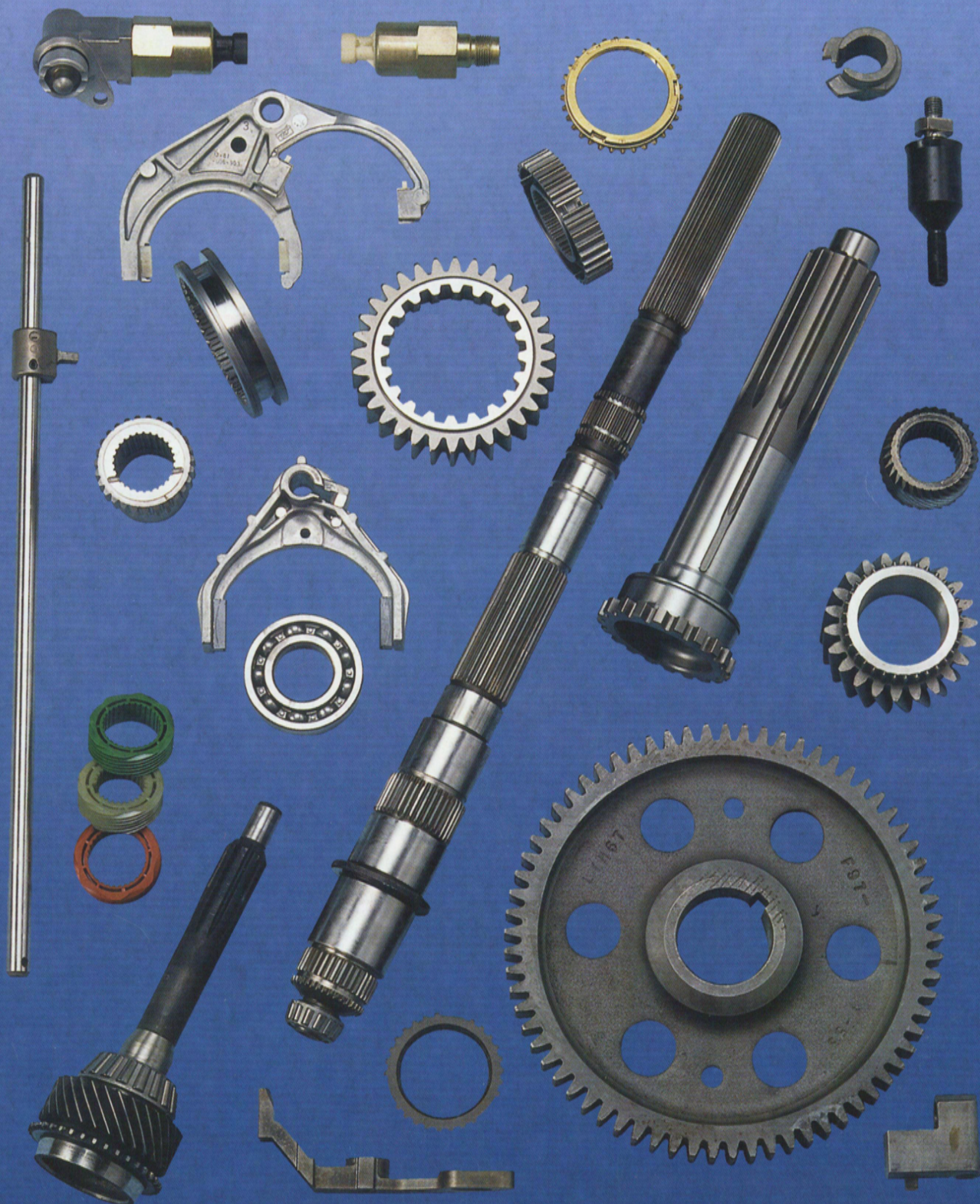


**ASO-10S SERIES
MAIN TRANSMISSION**



T210-ASO165-10S



CONTENTS

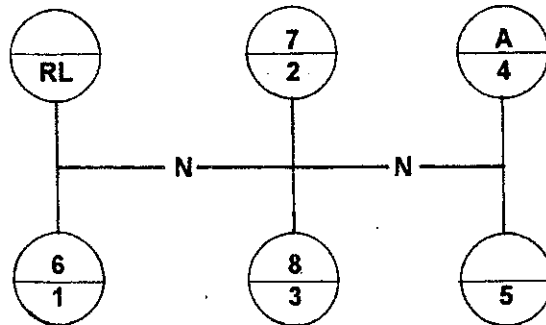
Ratio Table.....	1
Gears and Related Parts - Main Section.....	2-5
Drive Gear Group.....	2-3
Mainshaft Group.....	2-3
Countershaft Group.....	4-5
Gears and Related Parts - Range Section.....	6-9
Countershaft and Synchronizer Group.....	6-7
Mainshaft Group.....	8-9
End Yoke Table.....	9
Clutch Housing Group.....	10-11
Drive Gear Bearing Cap Group.....	10-11
Main Case Group.....	10-11
Williams Air Control and Interlock Group.....	12-13
Shift Bar and Fork Assembly.....	14-15
Range Case Group.....	16-17
Range Piston Housing and Shift Fork Group.....	16-17
Countershaft Bearing Cap Group.....	16-17
Rear Bearing Cap Group.....	16-17
Shift Tower Assembly and Related Parts.....	18-19
Electronic Controls and Parts.....	18-19
Shift Lever.....	18-19
Shift Knob Assembly.....	18-19
Air Harness.....	18-19
Floor Board Boot.....	18-19
Shift Lever Chart.....	13
Tower Control Housing.....	18-19
Remote Control Assembly.....	20-21
Electronic Controls and Parts.....	20-21
Clutch Release Code Table.....	22-23
Overhaul Kits - Major and Minor.....	24-25
Oil Cooler Kit and Plumbing Diagram.....	26
Air Control Plumbing Diagram.....	27
Tabulated Bills of Material.....	28-29

MODELS ASO125,140,150,165-10S

RATIO TABLE and IDENTIFICATION

T210-ASO165-10S

	Ratio Table	
Models	ASO125-10S BASE B/M 301541	
	ASO140-10S BASE B/M 301542	
	ASO150-10S BASE B/M 301526	
Speeds	ASO165-10S BASE B/M 301543	
1st	12.54	
2nd	9.24	
3rd	6.68	
4th	4.80	
5th	3.60	
6th	2.61	
7th	1.92	
8th	1.39	
9th	1.00	
10th	0.75	
Rev	14.02	



The Name Plate NP-96 affixed to the rear left hand side of the Transmission is stamped with information.

Identification:

In requesting more information on the Transmissions, please furnish this information.

Serial No.

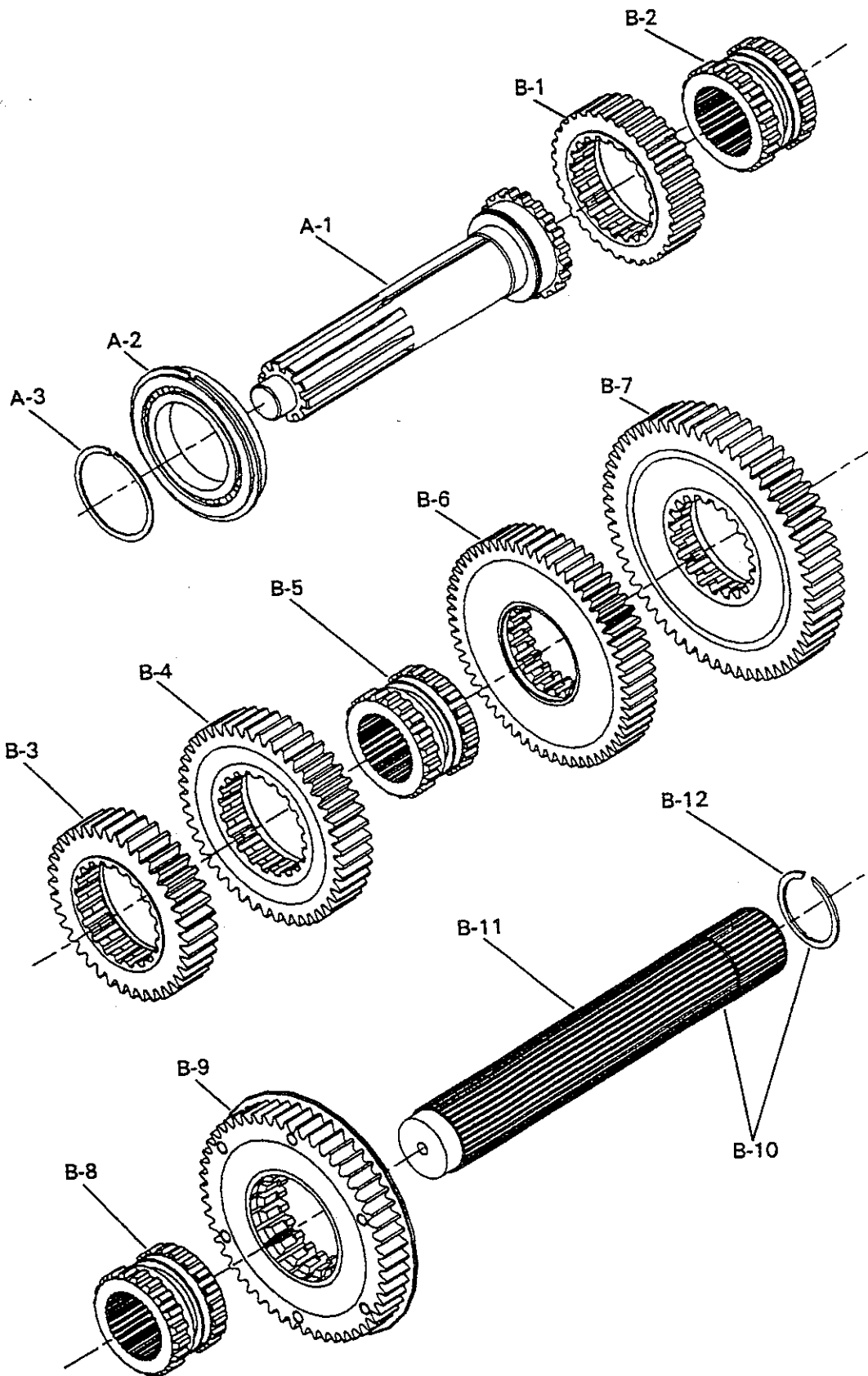
B/M No. Model

Abbreviations used in this Parts List include:

- N.S. - Not Shown
- N.S.S. - Not Sold Separately
- A.R. - As Required

MODELS ASO125,140,150,165-10S
GEARS and RELATED PARTS-MAIN SECTION

T210-ASO165-10S



MODELS ASO125,140,150,165-10S
GEARS and RELATED PARTS-MAIN SECTION

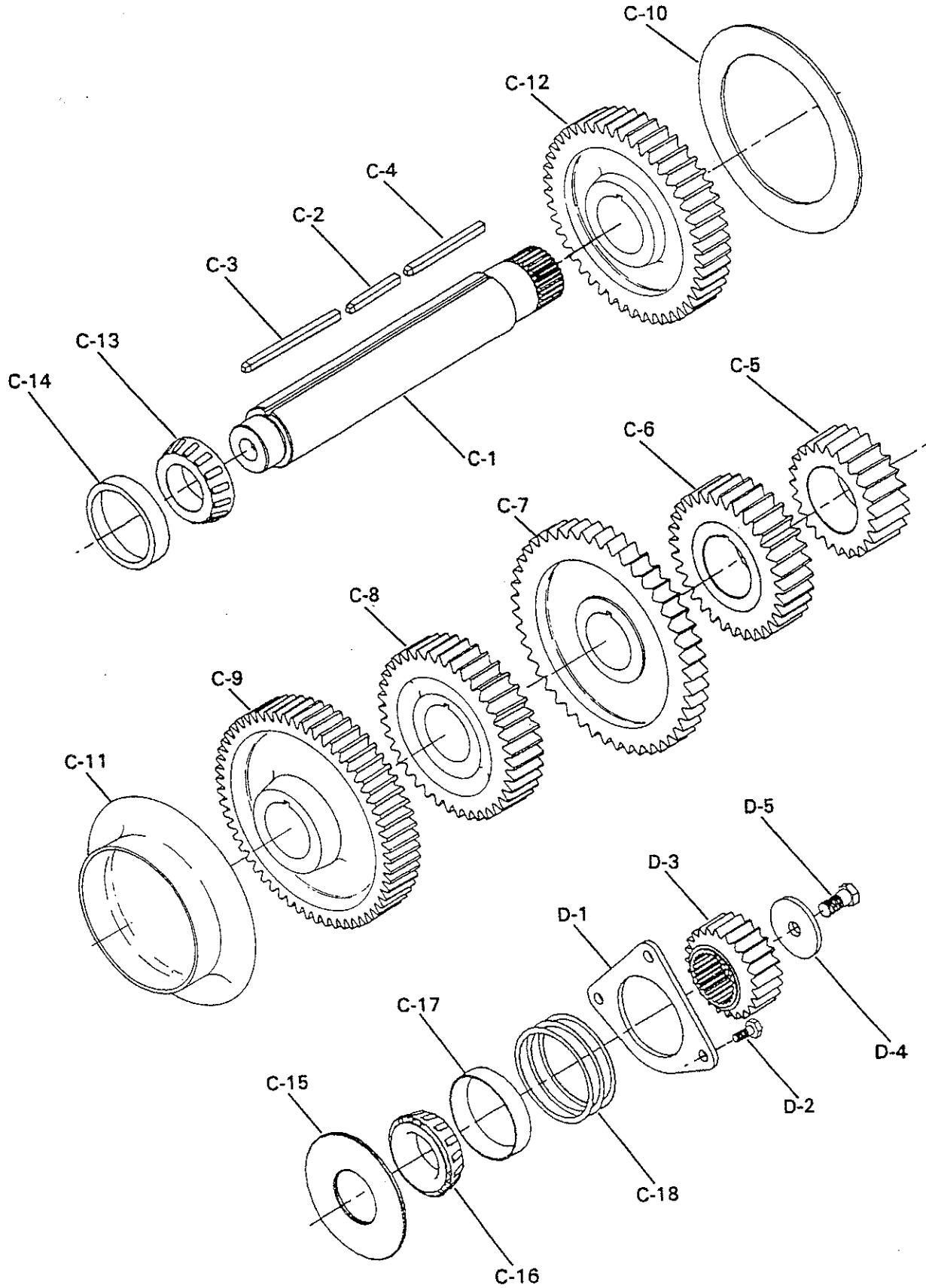
T210-ASO165-10S

Ref. No.	Part No.	Description	Qty.
		Drive Gear Group - Input Main Section	
A-1	201-35-2	Shaft - Input (2.00"-10 spline #306 (1.180" dia.) Pilot	1
A-2	313645X	S/Assy. - Bearing & Belleville Snap Ring	1
A-3	201-381-1	Snap Ring - Input Shaft	1
		Mainshaft Group Main Section	
B-1	201-8-49	Gear - Drive (5th & 10th) (50T)	1
B-2	201-465-5	Collar - M/S Clutch (4th,5th & 9th,10th)	1
B-3	201-8-48	Gear - Mainshaft (4th & 9th) (40T)	1
B-4	201-8-46	Gear - Mainshaft (3rd & 8th) (46T)	1
B-5	201-465-2	Collar - M/S Clutch (2nd,3rd & 7th,8th)	1
B-6	201-8-45	Gear - Mainshaft (2nd & 7th) (62T)	1
B-7	201-8-44	Gear - Mainshaft (1st) (62T)	1
B-8	201-465-2	Collar - M/S Clutch (1st & Rev.)	1
B-9	201-8-10-1X	Gear - M/Shaft Reverse (Includes Thrust Ring & Reivets)	1
B-10	201-362-1-1X	Kit - Mainshaft & Snap Ring	1
B-11	N.S.S.	Mainshaft	1
B-12	201-381-3	Snap Ring - Mainshaft Drive Gear - Range	1

N.S.S. - Not Sold Separately

MODELS ASO125,140,150,165-10S
GEARS and RELATED PARTS-MAIN SECTION

T210-ASO165-10S



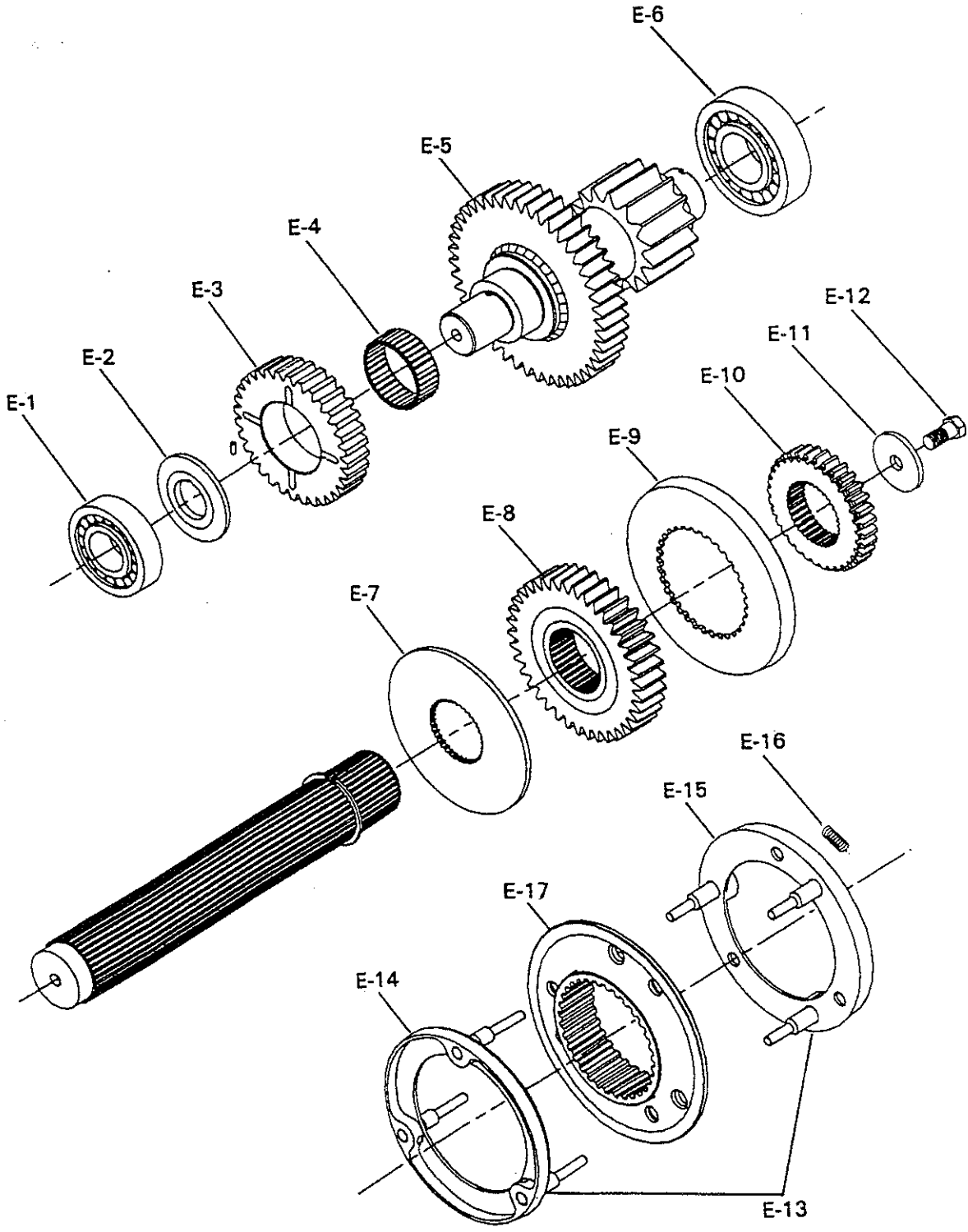
MODELS ASO125,140,150,165-10S
GEARS and RELATED PARTS-MAIN SECTION

T210-ASO165-10S

Ref. No.	Part No.	Description	Qty.
		Countershaft Group Main Section	
C-1	201-30-14	Countersaft - Main	2
C-2	201-210-4-2	Key - Countershaft Gear - Middle	2
C-3	201-210-4-3	Key - Countershaft Gear - Front	2
C-4	201-210-4-1	Key - Countershaft Gear - Rear	2
C-5	201-196-36	Gear - Countershaft (1st & 6th) (28T)	2
C-6	201-196-38	Gear - Countershaft (2nd & 7th) (8T)	2
C-7	201-312-3	Gear - Countershaft PTO Drive	2
C-8	201-196-42	Gear - Countershaft (3rd & 8th) (39T)	2
C-9	201-196-40	Gear - Countershaft (4th & 9th) (63T)	2
C-10	201-47-2	Ring - Countershaft Thrust (Flat)	2
C-11	201-47-5	Ring - Countershaft H.E. Gear Thrust	2
C-12	201-196-41	Gear - Countershaft H.E. (5th & 10th) (59T)	2
C-13	551013	Bearing - Cone Front Countershaft	2
C-14	550375	Bearing - Cup Front Countershaft	2
C-15	201-47-3	Ring - Countershaft (1st) Thrust	2
C-16	550182	Bearing - Cone Rear Countershaft	2
C-17	550375	Bearing - Cup Rear Countershaft	2
C-18	201-228-1-1	Shim - Countershaft Rear Bearing (.005 thick)	A/R
or	201-228-1-2	Shim - Countershaft Rear Bearing (.010 thick)	A/R
or	201-228-1-3	Shim - Countershaft Rear Bearing (.015 thick)	A/R
or	201-228-1-4	Shim - Countershaft Rear Bearing (.020 thick)	A/R
or	201-228-1-5	Shim - Countershaft Rear Bearing (.030 thick)	A/R
D-1	201-360-1	Plate - Retainer Countershaft	2
D-2	545002-1	Screw - Plate Retaining Countershaft	6
D-3	201-196-12	Gear - Countershaft Reverse - Range (21T)	2
D-4	330952	Washer - Countershaft Reverse Drive Gear Retaining	2
D-5	545001-5	Screw - Reverse Drive Gear Retaining Washer	2

MODELS ASO125,140,150,165-10S
GEARS and RELATED PARTS-RANGE SECTION

T210-ASO165-10S



MODELS ASO125,140,150,165-10S
GEARS and RELATED PARTS-RANGE SECTION

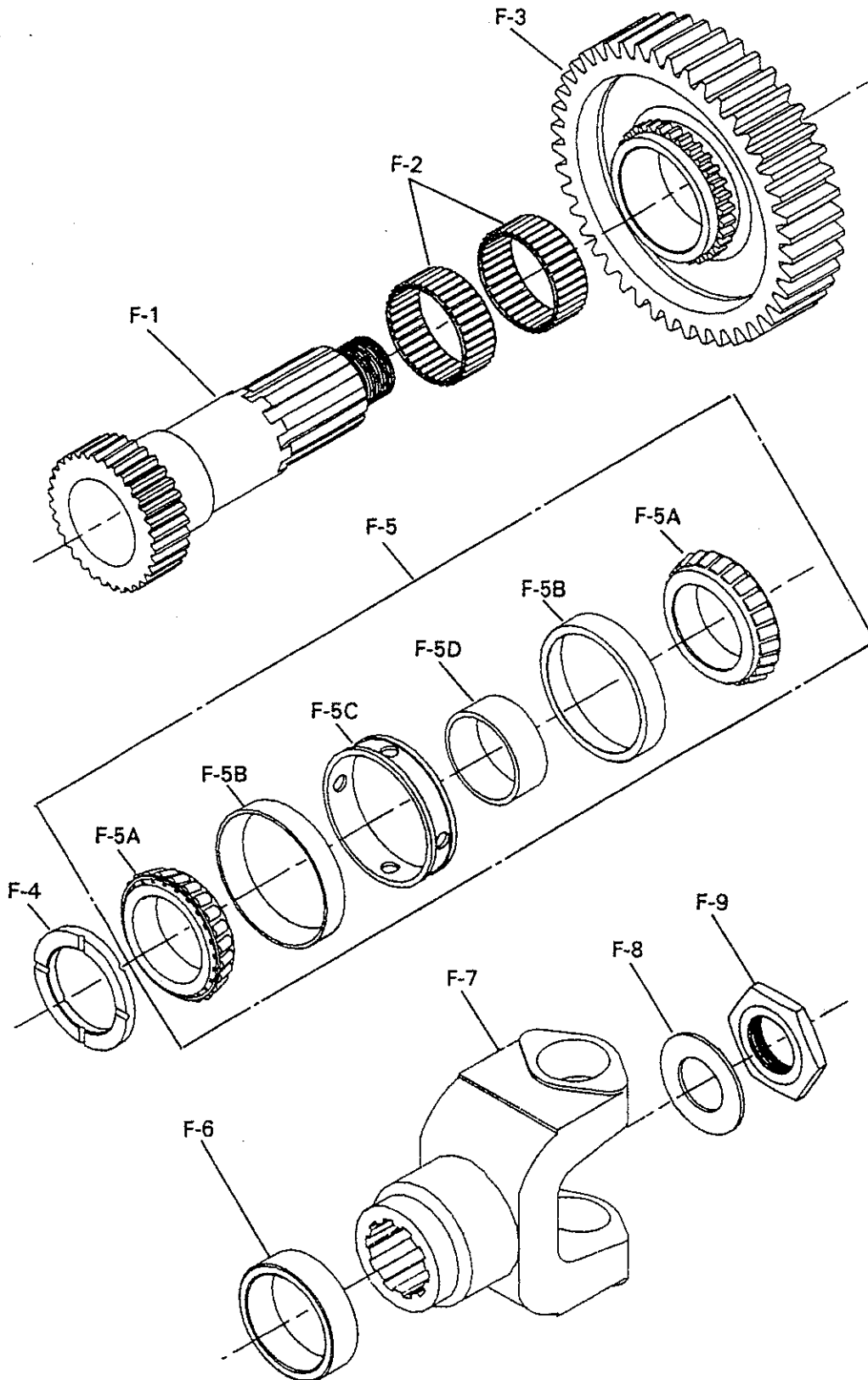
T210-ASO165-10S

Ref. No.	Part No.	Description	Qty.
Countershaft and Synchronizer Group Range Section			
E-1	550996	Bearing - Countershaft Front	2
E-2	330955	Washer - Countershaft Reverse Idler Thrust	2
E-3	201-5-2	Gear - Reverse Idler Countershaft	2
E-4	550997	Bearing - Needle Reverse Idler	2
E-5	201-30-12	Countershaft S/Assy. - Range	2
E-6	551009	Bearing - Countershaft Rear	2
E-7	201-47-6	Ring - Thrust Mainshaft Drive Gear	1
E-8	201-8-51	Gear - Mainshaft Head End (26T)	1
E-9	201-494-1	Race - Synchronizer Outer	1
E-10	201-466-2	Gear - Clutch Drive (High Range)	1
E-11	330954	Washer - Mainshaft Clutch Gear Retaining (High Range)	1
E-12	545001-5	Screw - Clutch Gear Retaining Washer (High Range)	1
E-13	313627-1X	Synchronizer - High & Low (Includes E-14,E-15,E-16)	1
E-14	N.S.S.	S/Assy. - Synchronizer - Low Range	1
E-15	N.S.S.	S/Assy. - Synchronizer - High Range & Springs	1
E-16	201-72-1-1X	Kit - Synchronizer Springs (Includes (3) Springs)	1
E-17	201-465-4	Collar - Clutch - High & Low Range	1

N.S.S. - Not Sold Separately

MODELS ASO125,140,150,165-10S
GEARS and RELATED PARTS-RANGE SECTION

T210-ASO165-10S



MODELS ASO125,140,150,165-10S
GEARS and RELATED PARTS-RANGE SECTION

T210-ASO165-10S

Ref. No.	Part No.	Description	Qty.
		Mainshaft Group - Output Range Section	
F-1	201-362-3	Output Shaft	1
F-2	313668X	Kit - Needle Bearing - Output Shaft (Includes (2)pcs. 550975)	1
F-3	201-8-41	Gear - Output - Low Range (52T)	1
F-4	201-47-4	Washer - Thrust Output Shaft	1
F-5	313628X	S/Assy. - Bearing and Spacer Output Shaft	1
F-5A	N.S.S.	Bearing - Cone Output Shaft	2
F-5B	N.S.S.	Bearing - Cup Output Shaft	2
F-5C	N.S.S.	Spacer - Bearing Cup Output Shaft	1
F-5D	N.S.S.	Spacer - Bearing Cone Output Shaft	1
F-6	201-37-6	Spacer - Speedometer	1
or	201-452-1	Electronic Speedometer Signal Gear (16 grooves)	1
F-7	See Table Below	Flange or End Yoke	1
F-8	330734	Washer - Output Shaft Nut	1
F-9	545065	Nut - Output Shaft (1.75"-16 UNEF-3B)	1

END YOKE

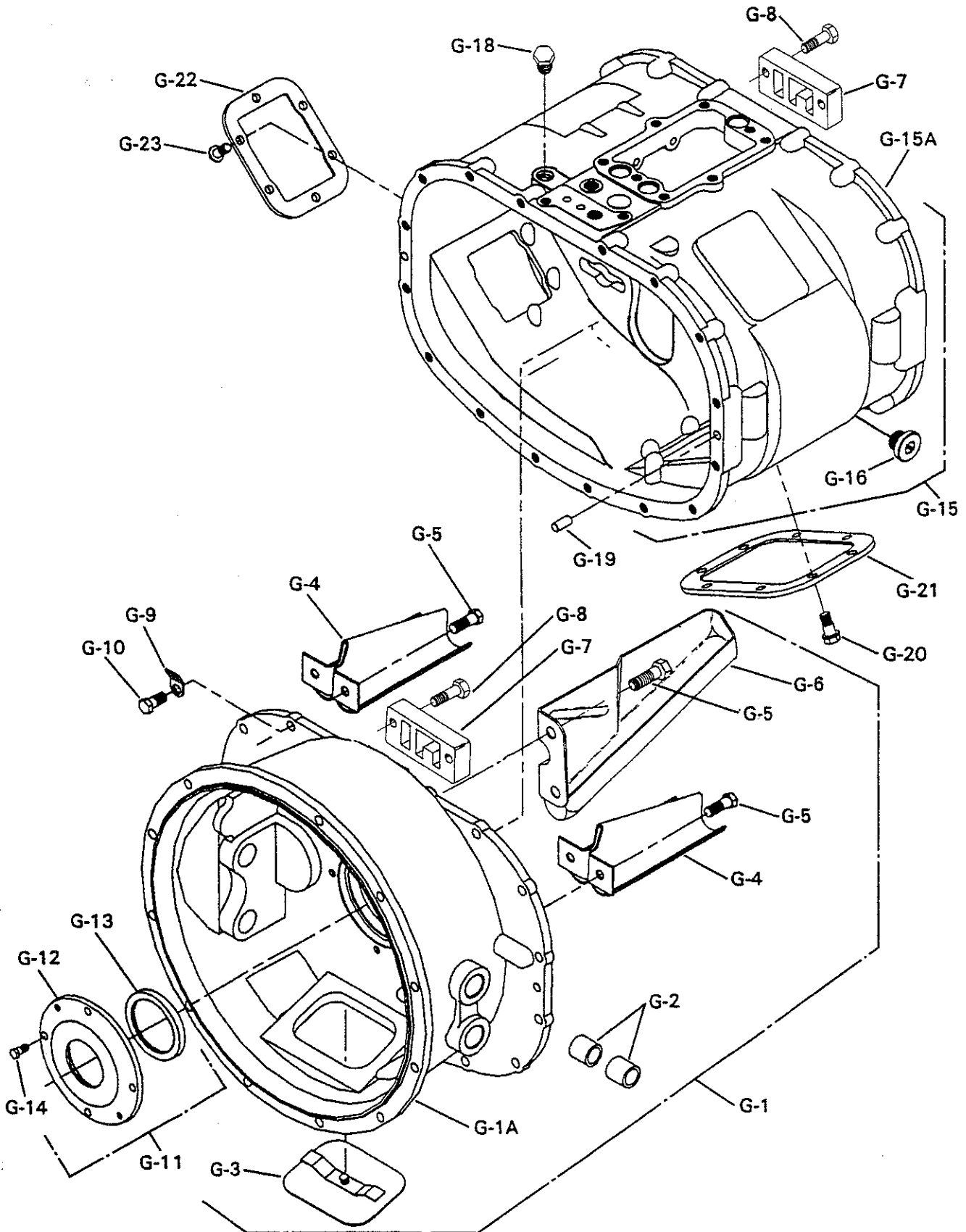
TABLE

Series	Yoke Style	End Yoke Part No.	S End of Hub to C/L Length	Maximum Momentary Joint Angle	Spline Type
1710	Full Round	6-4-6611	5.620"	30 degrees	Stra. sided
1710	Half Round	6-4-6611-1	5.620"	30 degrees	Stra. sided
1760	Full Round	6.3-4-651	6.030"	30 degrees	Stra. sided
1760	Half Round	6.3-4-651-1	6.030"	30 degrees	Stra. sided
1810	Full Round	6.5-4-3451	5.880"	30 degrees	Stra. sided
1810	Half Round	6.5-4-3451-1	5.880"	30 degrees	Stra. sided

N.S.S. - Not Sold Separately

MODELS ASO125,140,150,165-10S
CLUTCH HOUSING, FRONT BEARING CAP and MAIN CASE

T210-ASO165-10S



MODELS ASO125,140,150,165-10S
CLUTCH HOUSING, FRONT BEARING CAP and MAIN CASE

T210-ASO165-10S

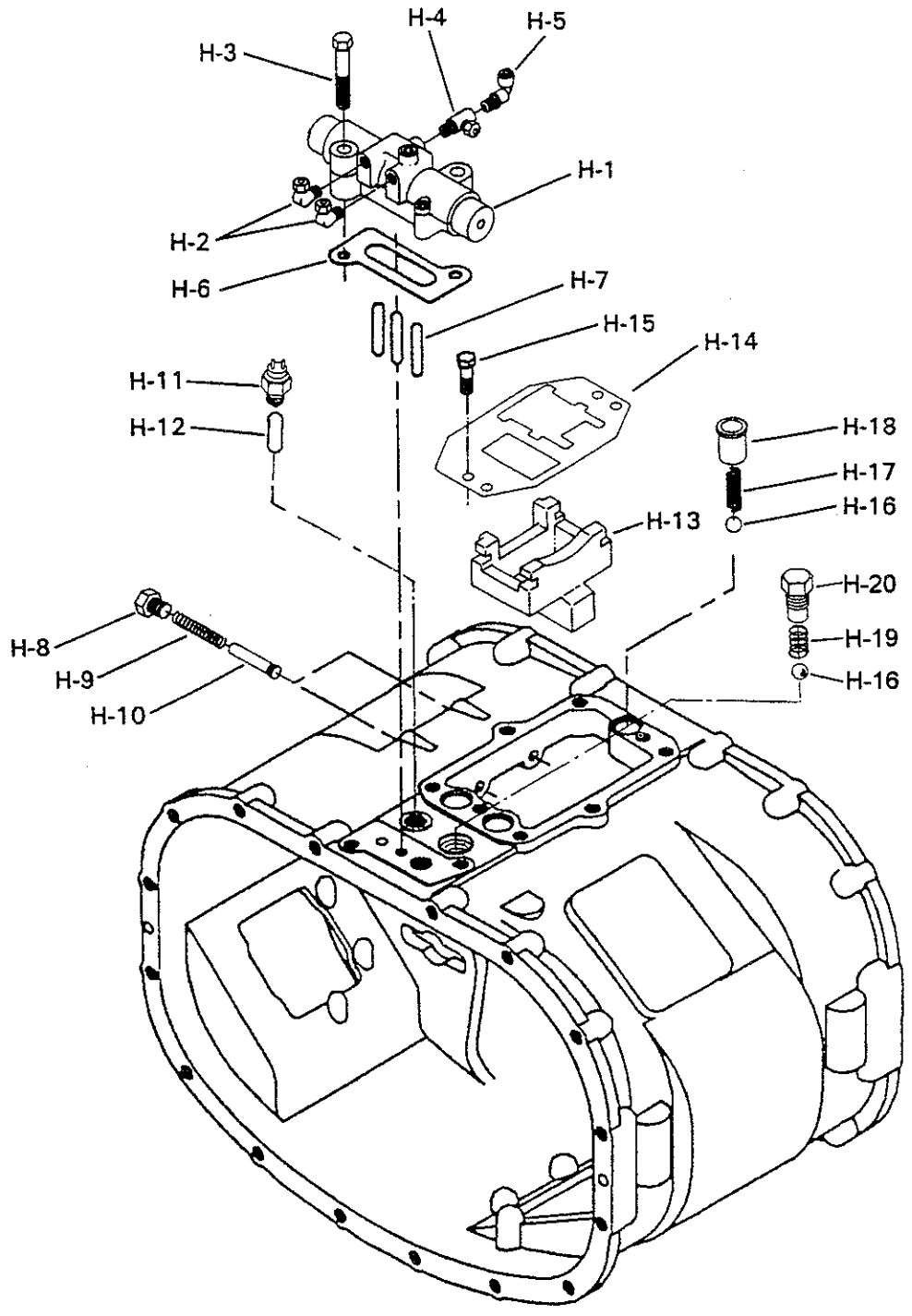
Ref. No.	Part No.	Description	Qty.
		Clutch Housing Group	
G-1	201-518-10-2X	Clutch Housing, Hand Hole Cover, Oil Troughs and Bushings (Includes G-1A thru G-6)	1
G-1A	N.S.S.	Clutch Housing	1
G-2	97-24-8	Bushing - Clutch Release Shaft	4
G-3	97-96-18-1X	S/Assy. - Hand Hole Cover	1
G-4	201-468-1	Oil Trough - Countershaft	2
G-5	545002-13	Screw - Oil Troughs (2 each) (.375"-13 x 1.375")	6
G-6	201-468-2	Oil Trough - Drive Gear	1
N.S.	330934	Magnet - Ceramic (Location is Case Side Bottom)	
G-7	201-477-4	Support - Shift Rails (Front & Rear)	2
G-8	545002-7	Screw - Support Bar (.375"-16 x 1.50") (2 each)	4
G-9	330969	Lift Hook	2
G-10	545001-1	Screw - Clutch Housing (.500"-13 x 1.375")	16
		Front Bearing Cap Group	
G-11	201-19-2-1X	S/Assy. - Drive Gear Bearing Cap and Oil Seal (Includes G-12 thru G-14)	1
G-12	N.S.S.	Bearing Cap	1
G-13	97-463-36-1X	Oil Seal - Drive Cap Bearing Cap (w/installation sleeve)	1
G-14	545002-1	Screw - Drive Gear Bearing Cap (.375"-16 x .875")	4
		Main Case Group	
G-15	201-15-5-1X	S/Assy. - Main Case (Includes G-15A thru G-18)	1
G-15A	N.S.S.	Case	1
G-16	545123	Plug - Filler & Drain	1
G-18	201-39-1	Plug - Case Oil Return Hole	1
N.S.	330934	Magnet - Ceramic (Location is at large PTO opening)	1
N.S.	330934	Magnet - Ceramic (Location is at bottom Oil Return hole)	1
G-19	201-438-3	Pin - Dowel Case	4
G-20	545012	Screw - PTO Aperture Cover (8 Hole)	8
G-21	73-267-1	Cover - PTO (8 Hole)	1
G-22	50-267-2	Cover - PTO (6 Hole)	1
G-23	330800	Screw - PTO Aperture Cover	6

N.S. - Not Shown

N.S.S. - Not Sold Separately

MODELS ASO125,140,150,165-10S
WILLIAMS CONTROL and INTERLOCK GROUP

T210-ASO165-10S



MODELS ASO125,140,150,165-10S
WILLIAMS CONTROL and INTERLOCK GROUP

T210-ASO165-10S

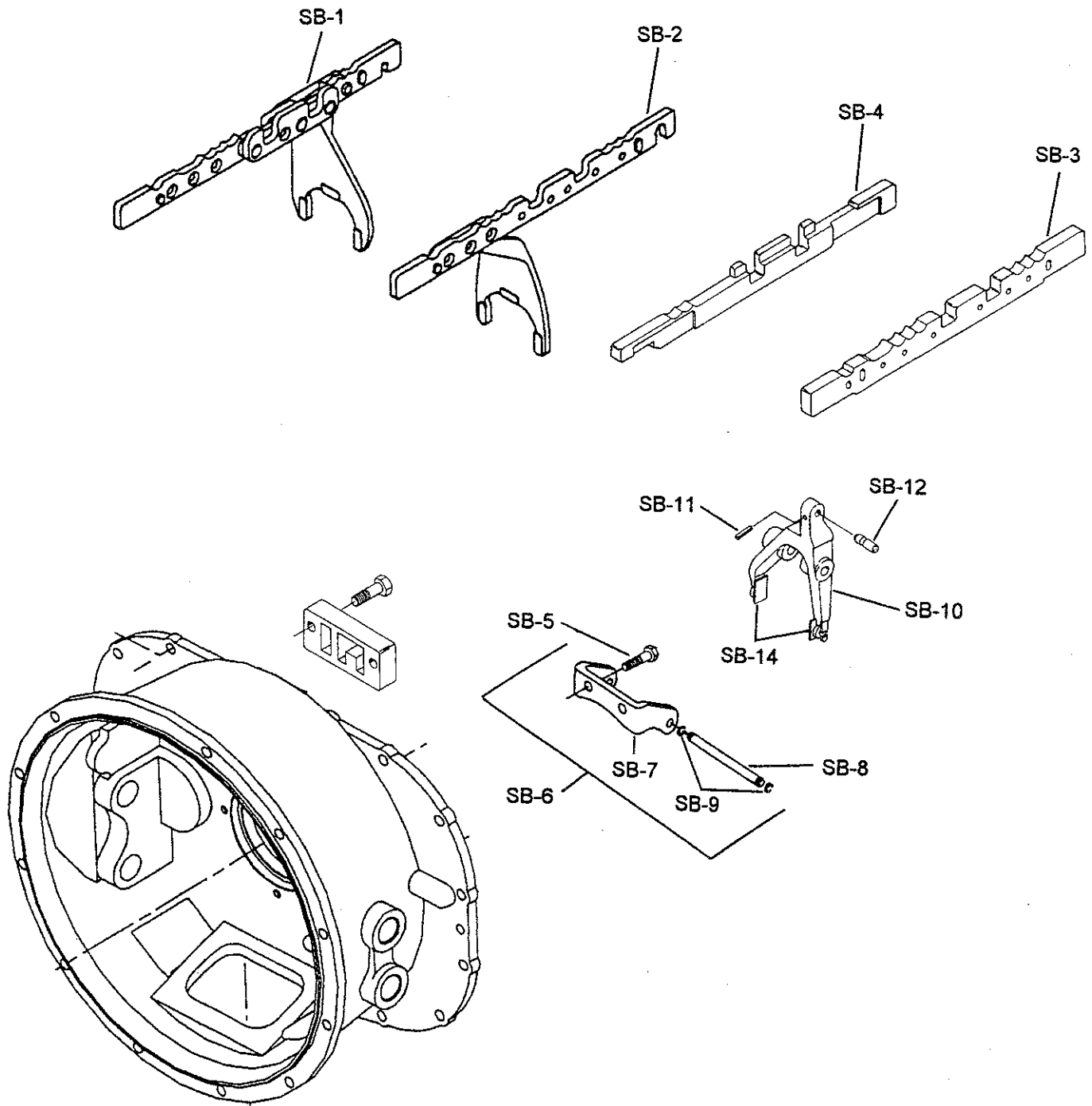
Ref. No.	Part No.	Description	Qty.
H-1	313630X	Williams Control S/Assy. - Williams Control	1
H-2	545025-2	Elbow - Williams Control 90 degree	2
H-3	545028-6	Screw - Williams Control (.438"-14 x 2.250")	2
H-4	545109	Tee - Adapter Williams Control	1
H-5	545130	Elbow - Williams Control	1
N.S.	201-420-7	Tube Support (#38163 Legris Tube Support)	A/R
H-6	201-118-1	Gasket - Williams Control	1
H-7	201-438-5	Pin - Williams Air Control Valve	3
Interlock Parts Group			
H-8	545128	Plug - 1st and Reverse Spring Plunger	2
H-9	201-72-6	Spring - 1st and Reverse	2
H-10	40-438-1	Pin - Plunger 1st and Reverse	2
H-11	313538	Switch - Back up Light	1
H-12	201-438-2	Pin - Actuating Back up Light Switch	1
H-13	201-200-5	Interlock - Shifter Rail	1
H-14	201-200-7	Plate - Interlock Retainer	1
H-15	330801-1	Screw - Interlock Plate (.438"-14 x .875")	2
H-16	201-80-1	Ball - Poppet	4
H-17	201-72-2	Spring - Poppet Shift Rail	3
H-18	201-487-1	Insert - Poppet Spring & Ball	3
H-19	201-72-7	Spring - Poppet Shift Rail	1
H-20	201-487-2	Insert - Poppet Spring & Ball	1

SHIFT LEVER AND TOWER ASSEMBLIES				
LVR & TOWER ASSEMBLY	TOWER	LEVER	LNGTH	BOOT INCL. IN ASSY.
	P-22	P-10 & P-11		
201-17-6-1X	201-17-6	25Q-2661-1-1X	31.67"	201-483-4 OVAL
201-17-6-2X	201-17-6	25Q-2661-2-1X	30.90"	201-483-5 RECT.
201-17-6-3X	201-17-6	25Q-2661-3-1X		201-483-5 RECT.
201-17-6-4X	201-17-6	25Q-2661-4-1X	32.30"	201-483-3 OVAL
201-17-6-5X	201-17-6	25Q-2661-5-1X	32.31	201-483-3 OVAL
201-17-6-6X	201-17-6	25Q-2661-12-1X	29.85"	201-483-3 OVAL
201-17-6-7X	201-17-6	25Q-2661-11-1X	30.30"	201-483-3 OVAL
201-17-6-8X	201-17-6	25Q-2661-11-1X	30.30	201-483-3 OVAL
201-17-10-1X	201-17-10	25Q-2661-6-1X	32.55"	201-483-4 OVAL
201-17-10-2X	201-17-10	25Q-2661-7-1X	31.78"	201-483-5 RECT.
201-17-10-3X	201-17-10	25Q-2661-8-1X	34.32"	201-483-4 OVAL
201-17-10-4X	201-17-10	25Q-2661-6-1X	32.55	201-483-5 RECT.
201-17-10-5X	201-17-10	25Q-2661-3-2X		201-483-5 RECT.
201-17-10-6X	201-17-10	25Q-2661-9-1X	33.27	201-483-3 OVAL
201-17-10-7X	201-17-10	25Q-2661-3-2X		201-483-4 OVAL
201-17-10-8X	201-17-10	25Q-2663-1X		201-483-5 RECT.
201-17-10-9X	201-17-10	25Q-2661-10-1X	30.09	201-483-5 RECT.

A/R - As Required

MODELS ASO125,140,150,165-10S
SHIFT BAR and FORK ASSEMBLY

T210-ASO165-10S



MODELS ASO125,140,150,165-10S
SHIFT BAR and FORK ASSEMBLY

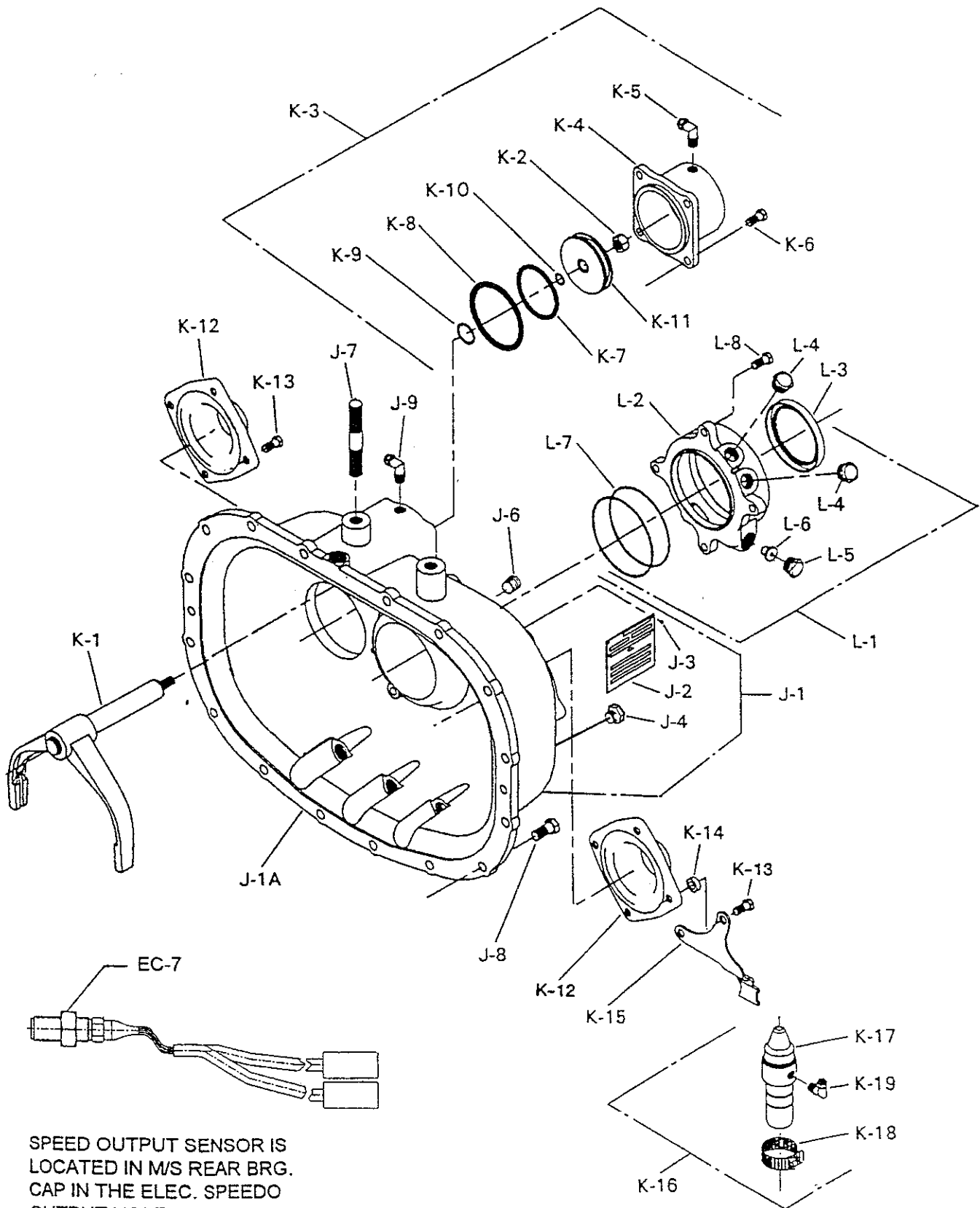
T210-ASO165-10S

Ref. No.	Part No.	Description	Qty.
		Shift Bar and Fork Assemblies	
SB-1	313696X	Fork and Bar Assy. - 1st and Reverse	1
SB-2	313694X	Fork and Bar Assy. - 2nd and 3rd	1
SB-3	201-67-15	Overdrive Shift Bar - 4th and 5th	1
SB-4	201-67-16	Auto Shift Rail	1
SB-5	545002	Screw - Fork Mounting Bracket Overdrive (.375" x 1.00")	2
SB-6	201-411-3-1X	Kit - Shift Fork Mounting Bracket, Pin and Snap Rings	1
SB-7	N.S.S.	Mounting Bracket -Overdrive Shift Fork	1
SB-8	N.S.S.	Pin - Mounting	1
SB-9	N.S.S.	Snap Ring - Mounting Bracket Pin	2
	201-66-20-1X	Kit - Overdrive Shift Fork, Pins and Snap Rings	1
SB-8	N.S.S.	Pin - Mounting	1
SB-9	N.S.S.	Snap Ring - Mounting Bracket Pin	2
SB-10	N.S.S.	Shift Fork and Shoe Sub-assy - 4th and 5th Overdrive	1
SB-11	201-438-15	Roll Pin	1
SB-12	201-438-14	Guide Pin (fork to shift bar)	1
SB-14	201-486-1	Shoe - Overdrive Shift Fork	2
	201-438-6-1X	Kit - Mounting Pin and Snap Rings	1
SB-11	N.S.S.	Snap Ring - Clevis Pin	1
SB-12	N.S.S.	Clevis Pin - Shift Fork	1
	201-438-7-1X	Kit - Mounting Bracket, Pins and Snap Rings	1
SB-8	N.S.S.	Pin - Mounting	1
SB-9	N.S.S.	Snap Ring - Mounting Bracket Pin	2

N.S.S. - Not Sold Separately

MODELS ASO125,140,150,165-10S
RANGE CASE and RELATED PARTS

T210-ASO165-10S



SPEED OUTPUT SENSOR IS
LOCATED IN M/S REAR BRG.
CAP IN THE ELEC. SPEEDO
OUTPUT HOLE.

MODELS ASO125,140,150,165-10S
RANGE CASE and RELATED PARTS

T210-ASO165-10S

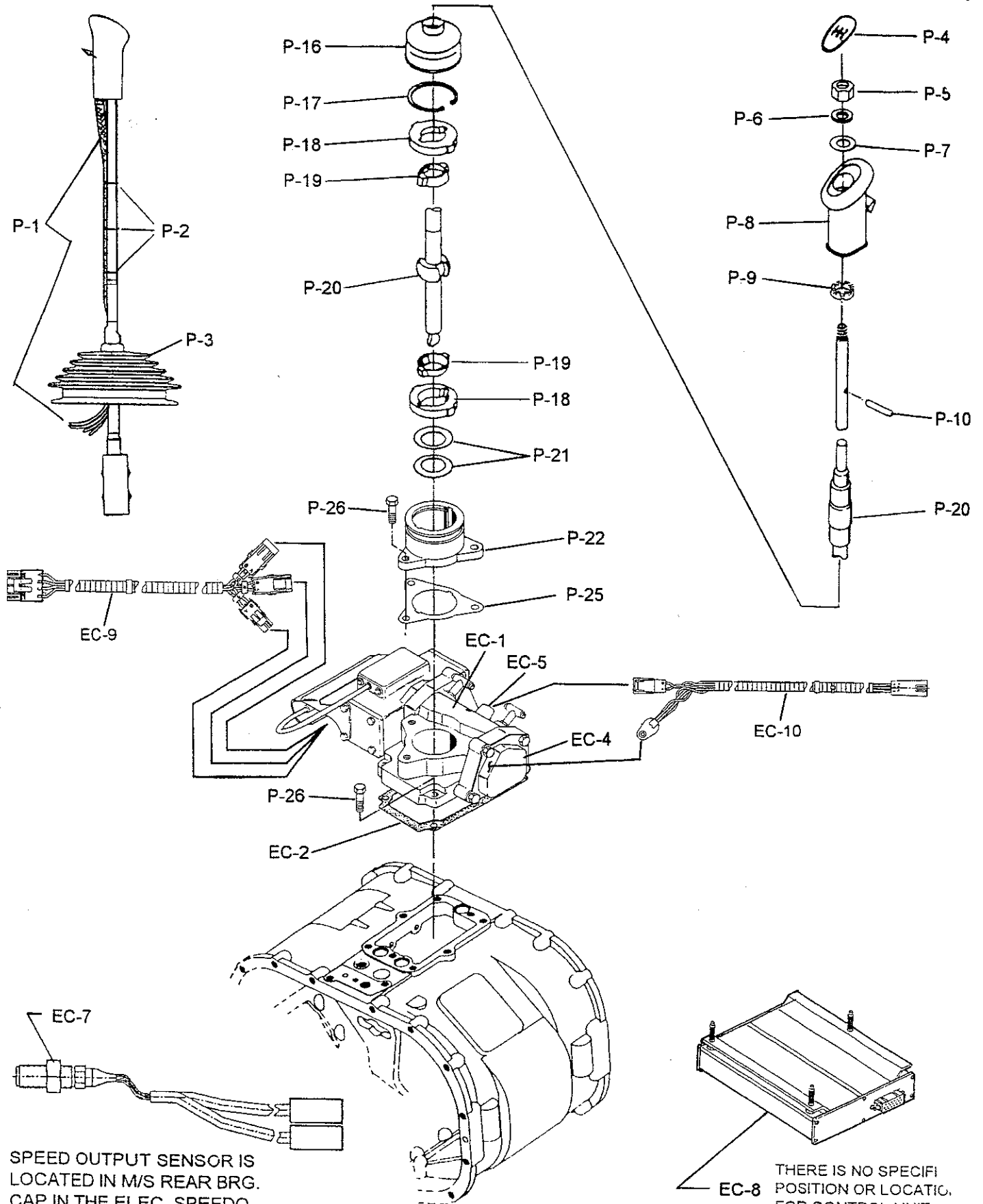
Ref. No.	Part No.	Description	Qty.
Range Case Group			
J-1	201-15-3-1X	S/Assy. - Case (Range) (Includes J-1A thru J-6)	1
J-1A	N.S.S.	Case - Range	1
J-2	NP-96	Name Plate	1
J-3	252-SP	Pin - Name Plate	4
N.S.	NP-196	Patent Plate	1
J-4	545123	Plug - Filler & Drain Magnetic	2
J-6	201-39-1	Plug - Temperature Indicator Hole	1
J-7	330360-7	Stud - Rear Mounting	2
J-8	545001-1	Screw - Range Case (.500"-13 x 1.375")	16
J-9	545025-1	Elbow - 90 degree	1
Range Piston Housing and Shift Fork Group			
K-1	201-66-23-2X	S/Assy. - Fork and Rod - Range	1
K-2	545045	Nut - Piston Rod - Range	1
K-3	201-501-2-1X	S/Assy - Piston Housing - Range (Includes K-4 thru K-6)	1
K-4	N.S.S.	Housing - Piston - Range	1
K-5	545025-1	Elbow - Piston Housing 90 degree	2
K-6	545002-1	Screw - Piston Housing (.375"-16 x .875")	4
K-7	201-463-1	"O" Ring - Piston Shift - Range	1
K-8	201-463-2	"O" Ring - Piston Housing - Range	1
K-9	201-463-3	"O" Ring - Piston Rod - Range	1
K-10	183-463-6	"O" Ring - Piston to Rod - Range	1
K-11	201-136-7	Piston - Shift - Range	1
Countershaft Bearing Cap Group			
K-12	201-22-3	Cap - Countershaft Bearing	2
K-13	545002-1	Screw - Bearing Cap (.375"-16 x .875")	6
and	545002-7	Screw - Bearing Cap (.375"-16 x 1.500")	2
and	330969	Lift Hook	2
K-14	500381-4	Spacer - Filter Regulator (use (4) nuts)	4
K-15	201-411-1	Bracket - Filter Regulator	1
K-16	313644X	Kit - Power Control and Mounting Parts (Incl.K-17 thru K-19)	1
K-17	313042	S/Assy. - Filter Regulator	1
K-18	330831	Clamp - Filter Regulator Mounting	1
K-19	545025-1	Elbow - Filter Regulator 90 degree	1
See page 26 for Countershaft Oil Cooler Pump and related parts.			
Rear Bearing Cap Group			
L-1	201-19-8-1X	S/Assy. - Electronic Bearing Cap Rear (Incl.L-2 thru L-5)	1
L-2	N.S.S.	Bearing Cap	1
L-3	201-463-8	Seal - Bearing Cap Rear	1
L-4	545021	Plug - Electronic Speedometer	2
L-5	55-334-1	Plug - Speedometer Outlet	1
L-6	60-475-1	Bushing - Speedometer Driven Gear	1
L-7	201-228-2-1	Shim - Output Shaft (.005 thick)	A/R
or	201-228-2-2	Shim - Output Shaft (.010 thick)	A/R
or	201-228-2-3	Shim - Output Shaft (.015 thick)	A/R
or	201-228-2-4	Shim - Output Shaft (.020 thick)	A/R
or	201-228-2-5	Shim - Output Shaft (.030 thick)	A/R
L-8	545002-6	Screw - Bearing Cap Rear (.375"-16 x .250")	4
EC-7	201-600-5	Speed Output Sensor (Use no subs. or equivs. without Spicer approval)	1

A/R - As Required
N.S.- Not Shown
N.S.S. - Not Sold Separately

Recommended end play for Rear Mainshaft is .001" - .008"

MODELS ASO125,140,150,165-10S
SHIFT TOWER and RELATED PARTS

T210-ASO165-10S



SPEED OUTPUT SENSOR IS LOCATED IN M/S REAR BRG. CAP IN THE ELEC. SPEEDO OUTPUT HOLE.

EC-8 THERE IS NO SPECIFIC POSITION OR LOCATION FOR CONTROL UNIT. VARIES WITH O.E.

**MODELS ASO125,140,150,165-10S
SHIFT TOWER and RELATED PARTS**

T210-ASO165-10S

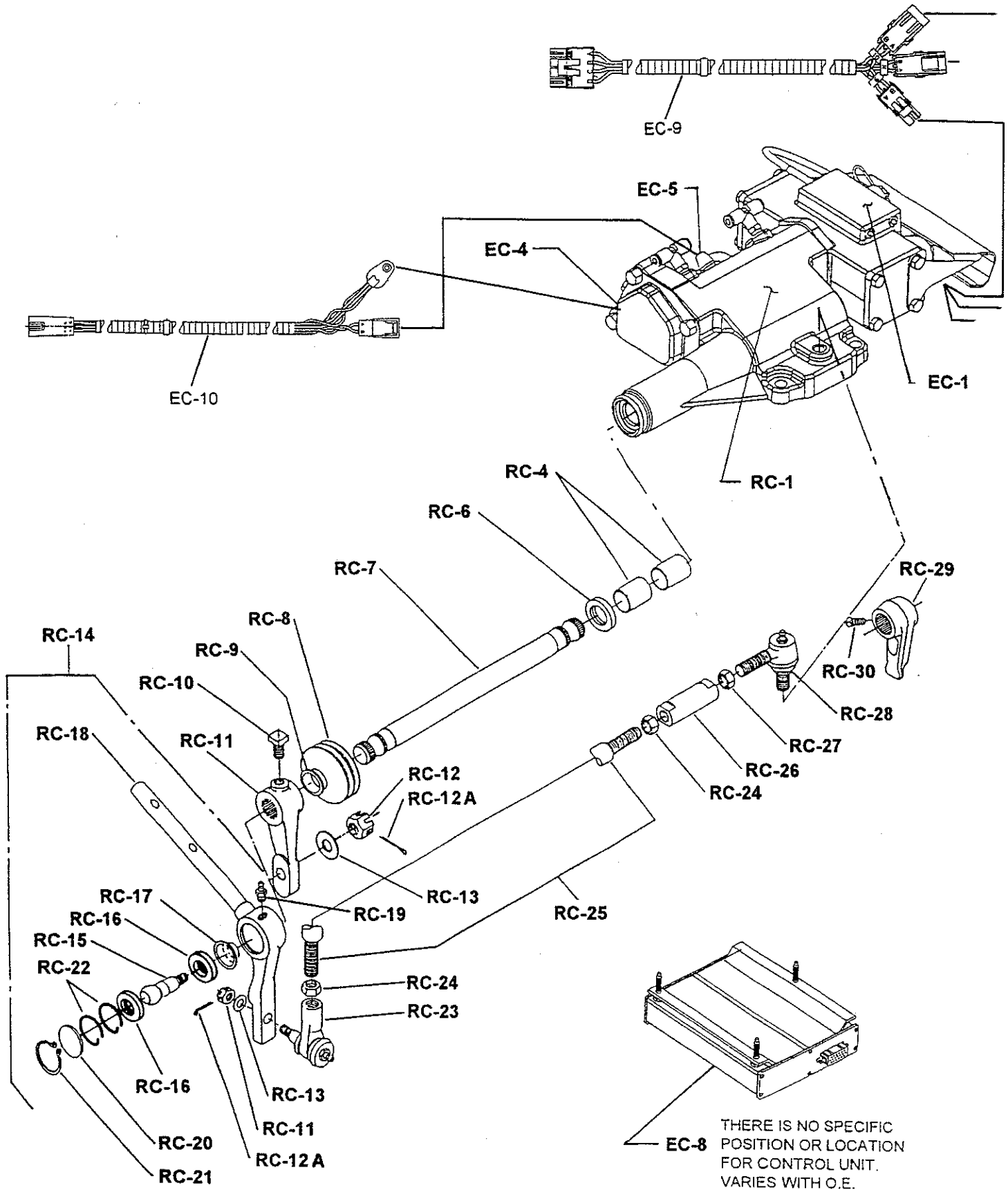
Ref. No.	Part No.	Description	Qty.
N.S.	See Chart	Shift Lever and Tower Assembly (includes P-1 thru P-22)	1
P-1	201-420-5-1X	Harness - Air Tubing (48" long)	1
or	201-420-5-2X	Harness - Air Tubing (92" long for Remote Control use)	1
P-2	97-463-7	"O" Ring - Retaining Air Harness	3
P-3	201-483-3	Boot - Floorboard (Oval)	1
or	201-483-4	Boot - Floorboard (Oval)	1
or	201-483-5	Boot - Floorboard (Rectangular)	1
N.S.	313649-1X	Shift Knob Assy. (includes P-4 thru P-10)	1
P-4	201-20-11	Insert - Shift Pattern	1
P-5	500370-4	Nut - Shift Knob Retaining	1
P-6	500357-13	Washer - Shift Knob Retaining	1
P-7	204-W	Washer - Shift Knob Stop	1
P-8	N.S.S.	Knob - Shift Air Valve (Serviced as 313649-1X)	1
P-9	201-205-1	Index Washer	1
P-10	201-438-8	Roll Pin - Shift Knob	1
P-16	101-483-2	Boot - Shift Tower & Lever	1
N.S.	33Q-15-1	Tie - Cable (Upper)	1
N.S.	33Q-15-2	Tie - Cable (Lower)	1
P-17	97-381-11	Snap Ring	1
	312477-46X	Kit - Inner/Outer Rings and Spring Disc	1
P-18	N.S.S.	Ring - Outer	2
P-19	N.S.S.	Ring - Inner	2
P-20	See Chart	Shift Lever (Page 13)	1
P-21	N.S.S.	Spring - Disc	2
P-22	See Chart	Shift Tower Housing (Long) (6.312 Fulcrum)	1
or	See Chart	Shift Tower Housing (Short) (5.312 Fulcrum)	1
P-25	201-155-3	Gasket - Shift Tower Housing (Not included with Sub-Assy)	1
P-26	545028-2	Screw - Shift Tower Housing/Lower Tower Assy. (Not incl. with Sub-Assy)	7
EC-1	201-17-8-1X	Lower Tower Assembly (Foward Control)	1
or	201-17-8-2X	Lower Tower Assembly (Center Control)	1
EC-2	201-118-2	Gasket - Shift Tower Housing (Not included with Sub-Assy)	1
N.S.	312268	Breather	1
EC-4	201-16-2	Cover - End Plate	1
EC-5	201-620-3	Auto Switch	1
EC-7	201-600-5	Speed Output Sensor (Use no subs. or equivs. without Spicer approval)	1
EC-8	201-600-2-1X	Electronic Control Unit	1
EC-9	201-615-1	Harness - Shift Valves Integrated	1
EC-10	201-615-2	Harness - Gear Switchs (Gear Position Sensor, Auto Switch)	1

N.S. - Not Shown

N.S.S. - Not Sold Separately

MODELS ASO125,140,150,165-10S
REMOTE CONTROL and RELATED PARTS

T210-ASO165-10S



MODELS ASO125,140,150,165-10S
REMOTE CONTROL and RELATED PARTS

T210-ASO165-10S

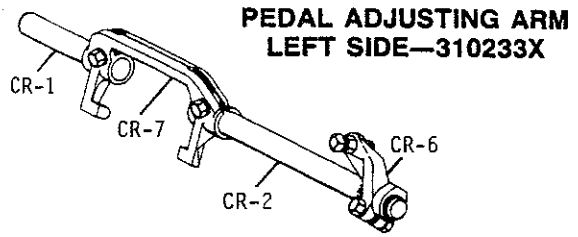
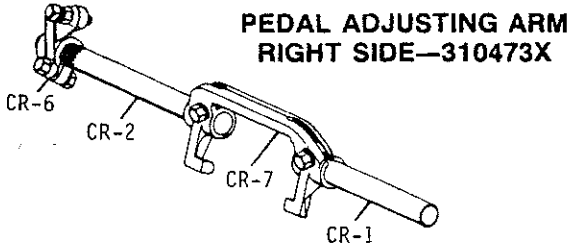
Ref. No.	Part No.	Description	Qty.
RC-1	201-18-10-1X	S/Assy. - Remote Control Housing, Bushings and Ball Joint	1
RC-2	N.S.S.	Remote Control Housing	1
RC-3	312268	Breather Assembly	1
RC-4	40-24-1	Bushing - Remote Control Housing	2
RC-6	28P-19	Seal - Remote Control Housing	1
EC-1	201-501-9-1X	Actuator Housing Sub-Assy.	1
EC-4	201-16-2	Cover - End Plate	1
EC-5	201-620-3	Auto Switch	1
EC-8	201-600-2-1X	Electronic Control Unit	1
EC-9	201-615-1	Harness - Shift Valves integrated	1
EC-10	201-615-2	Harness - Gear Switches	1
RC-7	201-65-1	Rod - Inner Shift Control	1
RC-8	97-483-3	Boot - Shift Rod Rubber	1
RC-9	33Q-15-1	Tie - Cable	2
RC-10	545136	Bolt - Outer Shift Lever	1
RC-11	201-6-3	Lever - Remote Outer Shift Control	1
RC-12	500371-3	Nut - Ball Stud	2
RC-13	500362-11	Lock Washer	2
RC-14	201-6-8-1X	S/Assy. - Selector Lever and Arm (Includes RC-15 thru RC-22)	1
RC-15	545117	Ball - Stud Selection Lever	1
RC-17	201-483-2	Boot - Selection Lever	1
RC-18	N.S.S.	Lever - Selection	1
N.S.	313727X	Kit - Grease Parts (Includes RC-16, 19, 20, and 22)	1
RC-16	N.S.S.	Bearing - Race Selector Lever	2
RC-19	N.S.S.	Nipple - Selection Lever	1
RC-20	N.S.S.	Retainer - Selection Lever	1
RC-22	N.S.S.	Spring - Disc Selection Lever	2
RC-21	201-381-4	Snap Ring - Selection Lever	1
RC-23	313673	Ball Joint - Female	1
RC-24	545114	Jam Nut - Turnbuckle	2
RC-25	201-65-3	Tie Rod	1
RC-26	73Q-2	Turn Buckle	1
RC-27	545113	Jam Nut - Turnbuckle (Left Hand)	1
RC-28	313715	Ball Joint - Male (.500-13 UNC thread on end into Housing)	1
RC-29	201-6-2	Finger - Inner Shift	1
RC-30	545137	Screw - Shift Finger	1
Parts Listed Below are not Included in Assembly			
N.S.	545028-2	Screw - Control Housing (.438"-14 x 1.500")	6
N.S.	201-118-2	Gasket - Control (between Case and Control)	1

N.S. - Not Shown

N.S.S. - Not Sold Separately

MODELS ASO125,140,150,165-10S CLUTCH RELEASE CODE TABLE

T210-ASO165-10S

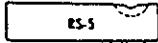


CR-1 SHORT SHAFT

Part No.	Length
106C-1071	4.062"
106C-1141	5.125"
106C-1142	6.125"
106C-1185	5.750"
106C-1216	4.750"
106C-1278	4.812"
106C-1360	5.312"
106C-1375	6.781"
106C-1498	6.500"
106C-1544	7.000"
330601-1	6.250"

CR-2 LONG SHAFT (Cont'd)

Part No.	Type	Length
106C-1083	RS-8	7.969"
106C-1094	RS-8	8.469"
106C-1123	RS-8	12.968"
106C-1169	RS-8	9.125"
106C-1315	RS-8	7.625"
106C-1367	RS-8	10.312"
106C-1375	RS-8	6.781"
106C-1417	RS-8	7.250"
106C-1422	RS-8	7.500"
106C-1490	RS-8	16.000"
106C-1515	RS-5	11.375"
106C-1529	RS-5	8.312"
330610-5	RS-8	9.469"
330610-11	RS-8	10.750"
46-510-9	RS-5	7.125"
330610-10	RS-8	9.500"



CR-2 LONG SHAFT

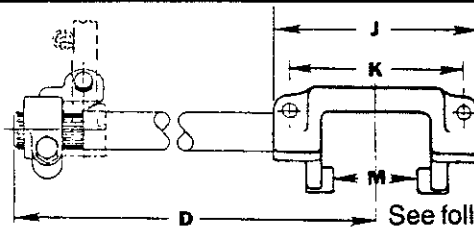
Part No.	Type	Length
106C-438	RS-5	14.000"
106C-588	RS-5	7.000"
106C-617	RS-8	10.469"
106C-839	RS-8	11.469"
106C-939	RS-8	10.000"
106C-953	RS-8	9.750"
106C-959	RS-8	11.968"
106C-960	RS-8	8.719"
106C-1046	RS-8	8.968"
106C-1047	RS-8	9.469"

CR-6 PEDAL ADJ. ARM

- 310233X For Left Side Mtg.
 - 310473X For Right Side Mtg.
 - 47-526-1-1X* Lever Type 7/4"
 - 310873X* Lever Type 7/4"
- *Lever type can be used on either right or left side.

THRU SHAFT (used with Push Type Clutch)

Part No.	Type	Length
106C-1566	Splined	19.125"
106C-1550	Keyed	16.375"
106C-1558	Keyed	19.000"
106C-1578	Splined	19.500"
49-510-1	Keyed	19.120"
97-510-2	Splined	19.313"



See following page for "D" dimensions.

CLUTCH RELEASE YOKES

CR-7	Forging No.	Used With	Type	J	K	M
105C-64	F105C64	Spicer 15 1/2" SP	Pull	8.000"	6.500"	4.895"
105C-68	F105C99	Spicer 14" SP	Pull	7.125"	5.750"	4.132"
105C-117 ¹	F105C118	Spicer & Others	Push	8.375"	7.000"	4.885"
105C-124 ²	F105C125	Spicer AL & AR	Push	3.750"	2.125"	2.885"
105C-132 ²	F105C118	Spicer & Others	Push	8.375"	7.000"	4.885"
105C-137	F105C138	Spicer 13" and	Pull	8.000"	6.500"	4.895"
	C105C138	14" 2P				
85-509-3 ³	F105C118	Spicer & Others	Push	8.375"	7.000"	4.885"

¹Machined washer surface on yoke front

²Machined washer surface on yoke rear (for clearance)

³Same as ¹ above except contains spring holes in lugs

■ Use 7743X Clutch Release Bearing and (2) 2306-12 Springs.

★ CLUTCH RELEASE YOKE ATTACHING PARTS—

Use one KEY 10-30, two SCREWS 330231 and two LOCK WASHERS 500356-12

NOTE: When changing from a two plate to single plate clutch or vice versa, a different bearing cap will be required.

MODELS ASO125,140,150,165-10S CLUTCH RELEASE CODE TABLE

T210-ASO165-10S

Rel.Code See Tab Bill	CR-7 Yoke *	Shaft		Adjustable Arm	D Dim. (In.)	Rel.Code See Tab Bill	CR-7 Yoke *	Shaft		Adjustable Arm	D Dim. (In.)
		CR-1 Short	CR-2 Long					CR-1 Short	CR-2 Long		
	105C-64	106C-1142	106C-1047	310233X	11.969	60	105C-137	106C-1185	106C-617	310233X	12.969
	105C-64	106C-1185	106C-438	—	16.500	61	105C-137	106C-1185	106C-839	310233X	13.969
	105C-64	106C-1185	106C-939	310233X	12.500	62	105C-137	106C-1185	106C-939	310233X	12.500
4	105C-64	106C-1185	106C-1046	310233X	11.468	63	105C-137	106C-1185	106C-939	310473X	12.500
5	105C-64	106C-1185	106C-1047	310233X	11.969	64	105C-137	106C-1185	106C-953	310473X	12.250
6	105C-64	106C-1185	106C-1047	47-526-1-1X	11.969	65	105C-137	106C-1185	106C-1046	310233X	11.468
7	105C-64	106C-1544	106C-839	310233X	13.969	66	105C-137	106C-1185	106C-1046	310473X	11.468
8	105C-68	106C-1142	106C-438	—	16.125	67	105C-137	106C-1185	106C-1047	310233X	11.969
9	105C-68	106C-1142	106C-617	—	12.594	68	105C-137	106C-1185	106C-1083	310233X	10.469
10	105C-68	106C-1142	106C-617	310233X	12.594	69	105C-137	106C-1185	106C-1094	—	10.969
11	105C-68	106C-1142	106C-839	310233X	13.594	70	105C-137	106C-1185	106C-1094	310233X	10.969
12	105C-68	106C-1142	106C-939	310233X	12.125	71	105C-137	106C-1185	106C-1123	—	15.468
13	105C-68	106C-1142	106C-1046	310233X	11.093	72	105C-137	106C-1185	106C-1123	310233X	15.468
14	105C-68	106C-1142	106C-1047	310233X	11.594	73	105C-137	106C-1185	106C-1367	—	12.812
15	105C-68	106C-1278	106C-438	—	16.125	74	105C-137	106C-1185	106C-1367	310233X	12.812
15A	105C-68	106C-1278	106C-939	310473X	12.125	75	105C-137	106C-1185	106C-1375	310873X	9.281
15B	105C-68	106C-1278	106C-939	310233X	12.125	76	105C-137	106C-1185	106C-1515	—	13.875
16	105C-117	106C-1071	106C-939	310233X	12.750	77	105C-137	106C-1185	106C-1529	—	10.812
7	105C-117	106C-1071	106C-1094	310233X	11.219	78	105C-137	106C-1185	330610-5	—	11.969
8	105C-117	106C-1142	106C-939	310233X	12.750	78A	105C-137	106C-1185	46-510-9	—	9.625
19	105C-117	106C-1185	106C-438	—	16.750	79	105C-137	106C-1216	106C-617	310233X	12.969
20	105C-117	106C-1185	106C-617	310233X	13.219	80	105C-137	106C-1278	106C-438	—	16.500
21	105C-117	106C-1185	106C-839	47-526-1-1X	14.219	81	105C-137	106C-1278	106C-588	—	9.500
22	105C-117	106C-1185	106C-939	310233X	12.750	82	105C-137	106C-1278	106C-588	310233X	9.500
23	105C-117	106C-1185	106C-953	310873X	12.500	83	105C-137	106C-1278	106C-617	310233X	12.969
24	105C-117	106C-1185	106C-960	310233X	11.469	84	105C-137	106C-1278	106C-939	310233X	12.500
25	105C-117	106C-1185	106C-1046	310233X	11.718	84A	105C-137	106C-1278	106C-939	310473X	12.500
26	105C-117	106C-1185	106C-1047	310233X	12.219	85	105C-137	106C-1278	106C-939	310873X	12.500
27	105C-117	106C-1185	106C-1083	—	10.719	86	105C-137	106C-1278	106C-960	310233X	11.219
28	105C-117	106C-1185	106C-1083	310233X	10.719	87	105C-137	106C-1278	106C-1046	—	11.468
29	105C-117	106C-1185	106C-1083	310473X	10.719	88	105C-137	106C-1278	106C-1046	310233X	11.468
30	105C-117	106C-1185	106C-1094	310233X	11.219	89	105C-137	106C-1278	106C-1047	—	11.969
31	105C-117	106C-1185	106C-1094	310873X	11.219	90	105C-137	106C-1278	106C-1047	310233X	11.969
32	105C-117	106C-1185	106C-1169	310233X	11.875	91	105C-137	106C-1278	106C-1083	310233X	10.469
33	105C-117	106C-1185	106C-1315	—	10.375	91A	105C-137	106C-1278	106C-1083	310473X	10.469
34	105C-117	106C-1185	106C-1315	310233X	10.375	92	105C-137	106C-1278	106C-1094	310233X	10.969
35	105C-117	106C-1185	106C-1315	47-526-1-1X	10.375	92A	105C-137	106C-1278	106C-1315	310233X	10.125
35A	105C-117	106C-1185	106C-1375	310873X	9.531	93	105C-137	106C-1278	106C-1375	310233X	9.281
36	105C-117	106C-1185	106C-1417	310233X	10.000	94	105C-137	106C-1278	106C-1422	310233X	10.000
37	105C-117	106C-1185	106C-1417	310873X	10.000	95	105C-137	106C-1278	106C-1529	—	10.812
38	105C-117	106C-1185	106C-1490	310233X	18.750	96	105C-137	106C-1360	106C-1083	—	10.469
39	105C-117	106C-1278	106C-939	310233X	12.750	96A	105C-137	106C-1360	106C-1417	310233X	9.750
40	105C-117	106C-1278	106C-960	310873X	11.469	97	105C-137	106C-1360	106C-1422	310233X	10.000
41	105C-117	106C-1278	106C-1047	310233X	12.219	98	105C-137	106C-1375	106C-438	310233X	16.500
42	105C-117	106C-1278	106C-1094	310233X	11.219	99	105C-137	106C-1498	106C-438	—	16.500
43	105C-117	106C-1278	106C-1315	310233X	10.375	100	105C-137	106C-1498	106C-617	310233X	12.969
44	105C-117	106C-1278	106C-1367	310233X	13.062	101	105C-137	106C-1498	106C-617	310473X	12.969
45	105C-117	106C-1360	106C-1083	310233X	10.719	102	105C-137	106C-1498	106C-939	310233X	12.500
46	105C-117	106C-1360	106C-1315	310233X	10.375	103	105C-137	106C-1498	106C-939	310473X	12.500
46A	105C-117	106C-1360	330610-10	—	12.250	104	105C-137	106C-1498	106C-953	310233X	12.250
17	105C-117	Thru Shaft	106C-1550	—	—	105	105C-137	106C-1498	106C-959	310233X	14.468
48	105C-117	Thru Shaft	106C-1558	—	—	106	105C-137	106C-1498	106C-1046	310233X	11.468
49	105C-124	106C-1185	106C-438	—	14.313	107	105C-137	106C-1498	106C-1047	—	11.969
50	105C-124	Thru Shaft	106C-1566	310233X	—	108	105C-137	106C-1498	106C-1047	310233X	11.969
51	105C-124	Thru Shaft	106C-1566	310473X	—	109	105C-137	106C-1498	106C-1083	310233X	10.469
52	105C-124	Thru Shaft	106C-1566	310873X	—	110	105C-137	106C-1498	106C-1094	—	10.969
52A	105C-124	Thru Shaft	49-510-1	310233X	—	111	105C-137	106C-1498	330610-11	310233X	13.250
53	105C-132	106C-1185	106C-1047	310233X	9.782	112	105C-137	330601-1	106C-939	310233X	12.500
54	105C-132	106C-1185	106C-1083	310233X	8.282	112A	85-509-3	106C-1278	106C-939	310233X	12.750
55	105C-132	106C-1185	106C-1417	310873X	7.563	113	85-509-3	106C-1360	106C-1417	310233X	10.000
56	105C-132	106C-1185	46-510-9	—	7.438	114	85-509-3	Thru Shaft	106C-1578	310233X	—
57	105C-132	106C-1278	46-510-9	—	7.438	114A	85-509-3	Thru Shaft	106C-1578	310473X	—
58	105C-137	106C-1141	106C-1169	310233X	11.625	115	85-509-3	Thru Shaft	106C-1578	310873X	—
59	105C-137	106C-1185	106C-438	—	16.500	116	312916	Thru Shaft	97-510-2	—	—

e 7743X Clutch Release Bearing and (2) 2306-12 Springs.

**MODELS ASO125,140,150,165-10S
SERVICE PARTS OVERHAUL KITS**

T210-ASO165-10S

Part No.	Description	Qty.
313400-76X	Major Overhaul Kit	
313432-33X	Kit - Minor Overhaul	1
313669X	Kit - Range Piston Housing Repair	1
313429-23X	Kit - Shift Tower Repair Parts	1
201-35-2	Shaft - Input (2.000"-10 spline #306 (1.180" dia.) Pilot)	1
201-210-4-1	Key - Countershaft Gear Rear	2
201-210-4-2	Key - Countershaft Gear Middle	2
201-210-4-3	Key - Countershaft Gear Front	2
201-438-6-1X	Kit - Overdrive Shift Fork Mounting Pin and Snap Ring	1
201-438-7-1X	Kit - Overdrive Shift Fork Bracket Pin and Snap Ring	1
201-47-4	Washer - Output Shaft Thrust (Range)	1
201-47-6	Ring - Range Mainshaft Drive Gear Thrust	1
330955	Washer - Countershaft Reverse Idler Thrust (Range)	2
500007-24	Key - Woodruff PTO Gear	2
545065	Nut - Mainshaft	1
313432-33X	Minor Overhaul Kit (Included in Major Overhaul Kit)	1
2783	Bulletin - Mainshaft nut (Loctite Application)	1
312475-45X	Kit - Gasket	1
313667X	Kit - Shim	1
201-381-1	Ring - Snap Input Shaft	1
201-381-3	Ring - Snap Mainshaft Range Drive Gear	1
201-463-8	Seal - Output Shaft Rear Bearing Cap	1
545080-1	Anaerobic Sealant - Mainshaft Nut (0.5 cc vial)	1
97-463-36-1X	Oil Seal - Drive Gear Bearing Cap (w/ Installation Tool)	1
	Bearings - Range Section	
313628X	S/Assy. - Bearing and Spacer Output Shaft	1
313668X	Kit - Output Shaft Gear Needle Bearing	1
550996	Bearing - Countershaft Front	2
551009	Bearing - Countershaft Rear	2
	Bearings - Main Section	
313645X	S/Assy. - Bearing and Belleville Snap Ring (Input Shaft)	1
550182	Bearing - Countershaft Rear Cone	2
550375	Bearing - Countershaft Rear Cup	4
551013	Bearing - Countershaft Front Cone	2
550997	Bearing - Reverse Idler Needle	2

BSSN - Before Starting Serial Number
ASSN - After Starting Serial Number

**MODELS ASO125,140,150,165-10S
SERVICE PARTS OVERHAUL KITS**

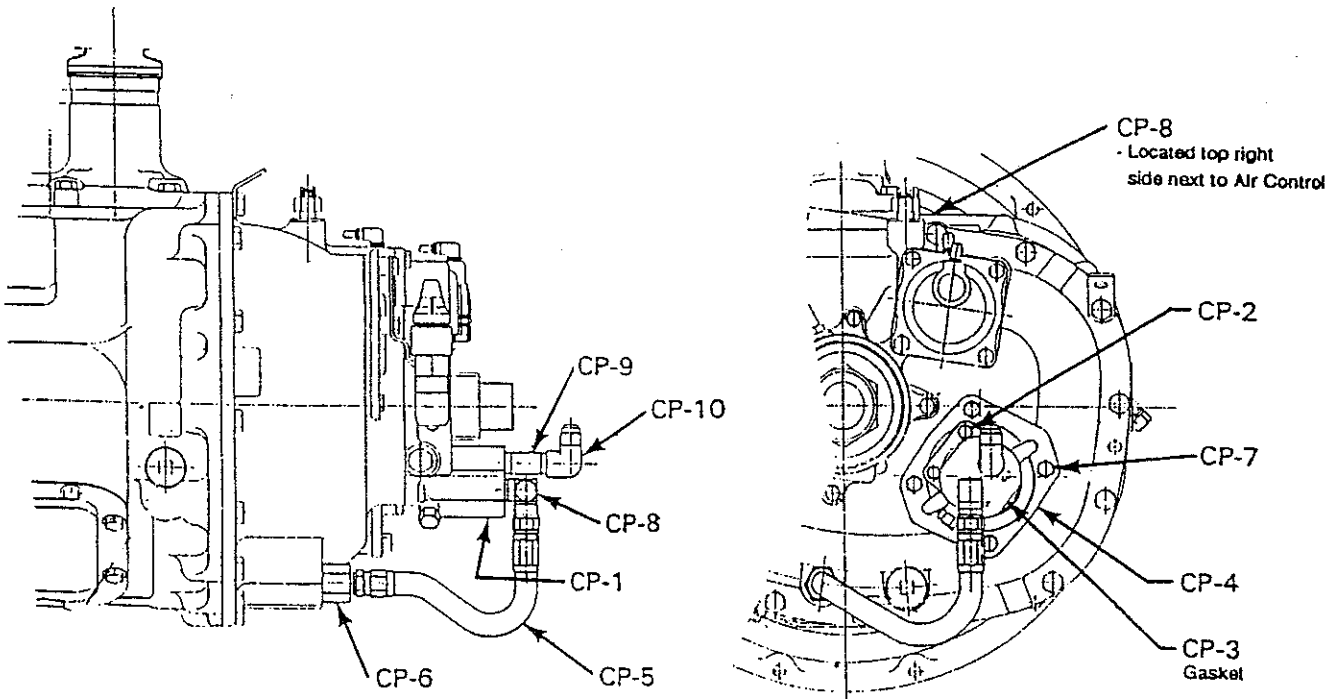
T210-ASO165-10S

Part No.	Description	Qty.
313669X	Kit - Range Piston Housing Repair (Included in Major Overhaul Kit)	1
183-463-6	"O"-Ring - Splitter or Range Piston	1
201-463-1	"O"-Ring - Range Shift Piston	1
201-463-2	"O"-Ring - Range Piston Housing	1
201-463-3	"O"-Ring - Range Piston Rod	1
2726	Bulletin - "O" Ring Lubrication Instruction	1
330895	Lubricant - "O" Ring	1
313429-23X	Kit - Shift Tower Small Parts Repair (Included in Major Overhaul Kit)	1
201-438-2	Pin - Actuating Back-up Light	1
201-438-5	Pin - Air Control Valve	3
201-487-1	Insert - Poppett Spring and Ball	3
201-72-2	Spring - Shift Rail Poppet	3
201-80-1	Ball - Poppet	3
40-438-1	Pin - 1st and Reverse Select Plunger	2
201-72-6	Spring - 1st and Reverse Shift Plunger	2
312475-45X	Gasket Kit (Included in Major and Minor Overhaul Kit)	1
201-118-1	Gasket - Williams Air Control Valve	1
201-118-2	Gasket - Tower Housing	1
2824	Bulletin - Anaerobic Sealant Application	1
545056-10	Anaerobic Sealant - 24cc Tube	1
313667X	Shim Kit (Included in Major and Minor Overhaul Kit)	1
2825	Bulletin - Countershaft Shim Instructions	1
201-228-1-1	Shim - Countershaft Rear Bearing (.005" thick)	4
201-228-1-2	Shim - Countershaft Rear Bearing (.010" thick)	4
201-228-1-3	Shim - Countershaft Rear Bearing (.015" thick)	4
201-228-1-4	Shim - Countershaft Rear Bearing (.020" thick)	4
201-228-1-5	Shim - Countershaft Rear Bearing (.030" thick)	4
201-228-2-1	Shim - Output Shaft (.005" thick)	1
201-228-2-2	Shim - Output Shaft (.010" thick)	1
201-228-2-3	Shim - Output Shaft (.015" thick)	1
201-228-2-4	Shim - Output Shaft (.020" thick)	1
201-228-2-5	Shim - Output Shaft (.030" thick)	1

MODELS ASO125,140,150,165-10S
Oil Cooler and Pump Diagram

T210-ASO165-10S

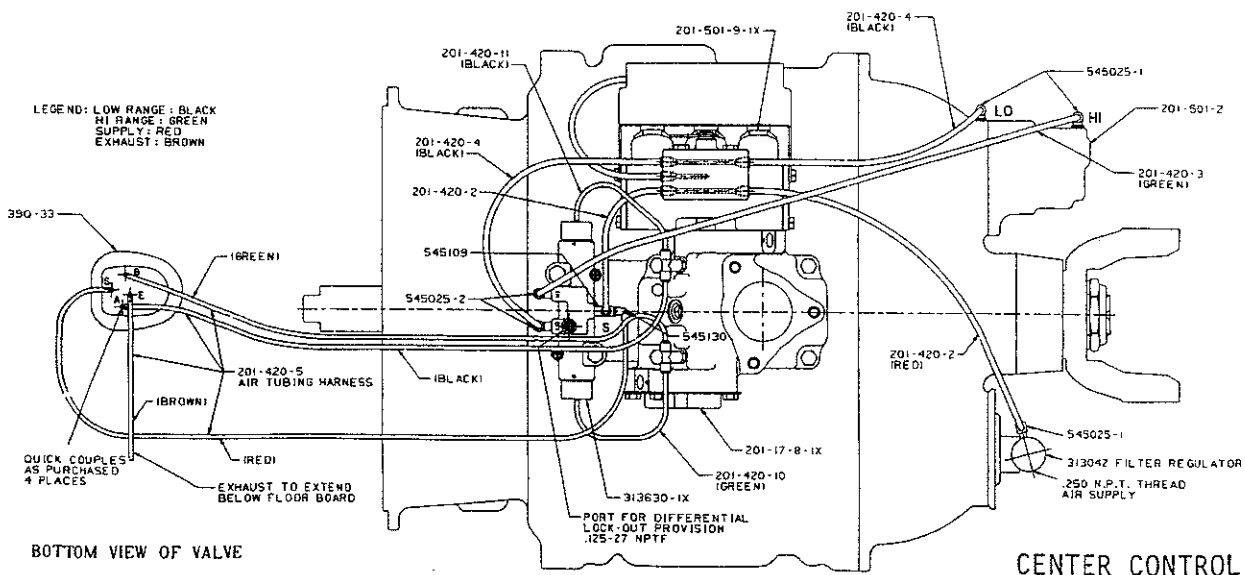
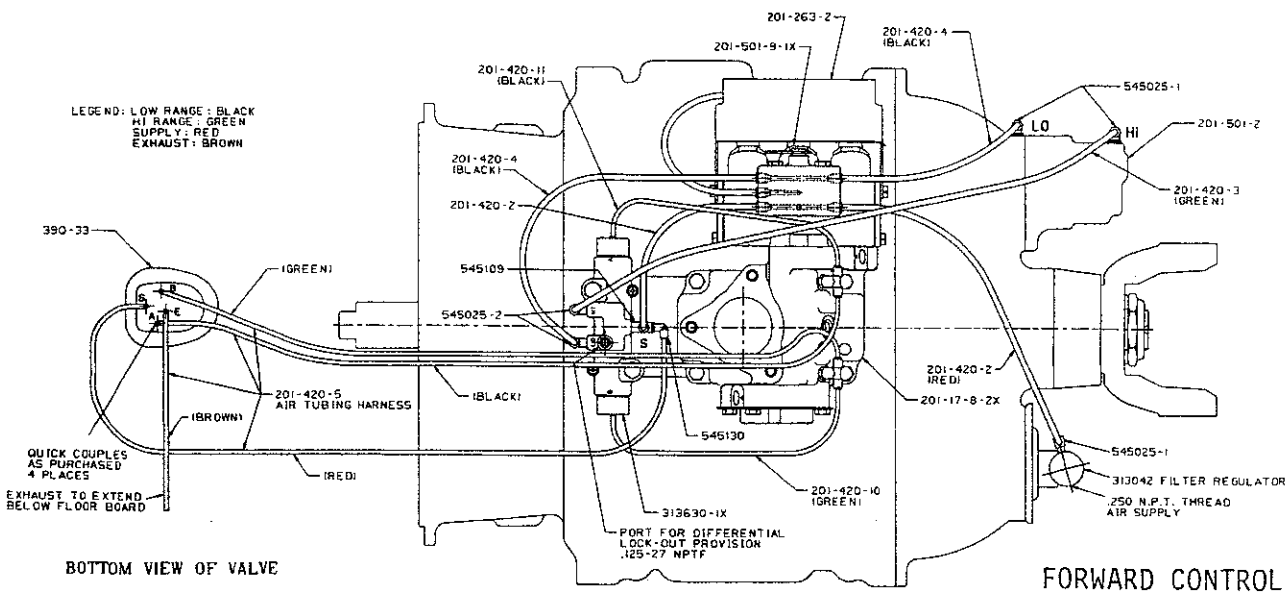
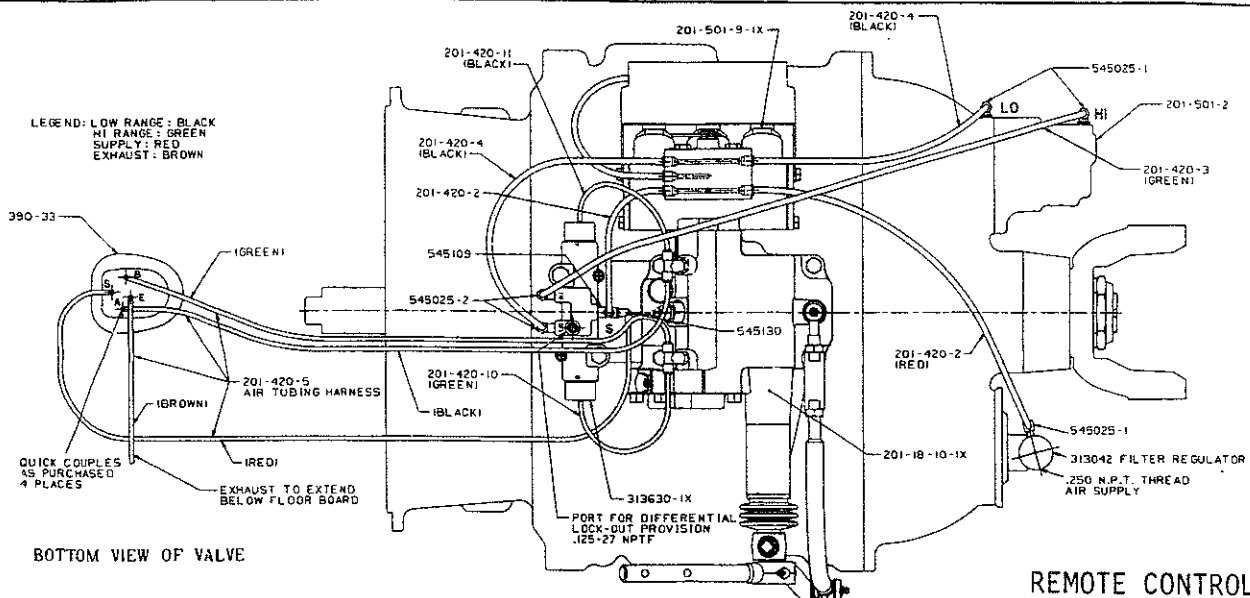
Dana No.	Description	Qty.
313698-2X	Oil Cooler Pump and Fittings Kit	1
313292-1X	Kit - Countershaft Oil Pump	1
313292	Oil Pump	1
545005-7	Screw - Oil Pump (.312-18 x .875)	4
70-223-25	Gasket - Countershaft Oil Pump Mounting	1
201-22-2	Countershaft Rear Bearing Cap Adapter (Right Side)	1
313117-5	Hose Assy. - Outlet to Pump Inlet	1
313697X	Filter - Oil Screen	1
545002-1	Screw - Countershaft Rear Bearing Cap	4
545034	Elbow - Oil Return Hole and Pump Inlet	2
545049-2	Nipple - Pump Outlet	1
545140	Elbow - Pump Outlet	1
2834	Bulletin - Installation	1



N.S.S. - Not Sold Separately

MODELS ASO125,140,150,165-10S DIRECT AIR CONTROLS DIAGRAM

T210-ASO165-10S



MODELS ASO 125,140,150,165-10S
Tabulated Bills of Material

T210-ASO165-10S

Tab No.	Used By	For Use With Clutch	Clutch Housing			Main Drive Gear	Drive Gear Bearing Cap	Case Assembly Front
			S A E	Assembly Number	Rel. Code			
Model ASO125-10S								
301541								
-1	General Use	Pull Type 1		201-518-10-2X	-	201-35-2	201-19-2-1X	201-15-5-1X
-2	General Use	Pull Type 1		201-518-10-2X	-	201-35-2	201-19-2-1X	201-15-5-1X
-3	General Use	Pull Type 1		201-518-10-2X	-	201-35-2	201-19-2-1X	201-15-5-1X
Model ASO140-10S								
301542								
-1	General Use	Pull Type 1		201-518-10-2X	-	201-35-2	201-19-2-1X	201-15-5-1X
-2	General Use	Pull Type 1		201-518-10-2X	-	201-35-2	201-19-2-1X	201-15-5-1X
-3	General Use	Pull Type 1		201-518-10-2X	-	201-35-2	201-19-2-1X	201-15-5-1X
Model ASO150-10S								
301526								
-1	General Use	Pull Type 1		201-518-10-2X	-	201-35-2	201-19-2-1X	201-15-5-1X
-2	General Use	Pull Type 1		201-518-10-2X	-	201-35-2	201-19-2-1X	201-15-5-1X
-3	Navistar	Pull Type 1		201-518-10-2X	-	201-35-2	201-19-2-1X	201-15-5-1X
Model ASO165-10S								
301543								
-1	General Use	Pull Type 1		201-518-10-2X	-	201-35-2	201-19-2-1X	201-15-5-1X
-2	General Use	Pull Type 1		201-518-10-2X	-	201-35-2	201-19-2-1X	201-15-5-1X
-3	General Use	Pull Type 1		201-518-10-2X	-	201-35-2	201-19-2-1X	201-15-5-1X

MODELS ASO 125,140,150,165-10S
Tabulated Bills of Material

T210-ASO165-10S

Tab No.	Case Assembly Rear	Mainshaft Rear Bearing Cap Assembly	Speedometer Gears		End Yoke or Companion Flange	Lever and Tower Control Assy.	Remote Control Assy.
			Drive or Signal	Driven			
Model ASO125-10S							
301541							
-1	201-15-3-1X	201-19-5-2X	-	-	-	201-17-8-2X(FWD)	-
-2	201-15-3-1X	201-19-5-2X	-	-	-	201-17-8-1X(CTR)	-
-3	201-15-3-1X	201-19-5-2X	-	-	-	-	201-18-10-1X
Model ASO140-10S							
301542							
-1	201-15-3-1X	201-19-5-2X	-	-	-	201-17-8-2X(FWD)	-
-2	201-15-3-1X	201-19-5-2X	-	-	-	201-17-8-1X(CTR)	-
-3	201-15-3-1X	201-19-5-2X	-	-	-	-	201-18-10-1X
Model ASO150-10S							
301526							
-1	201-15-3-1X	201-19-5-2X	-	-	-	201-17-8-2X(FWD)	-
-2	201-15-3-1X	201-19-5-2X	-	-	-	201-17-8-1X(CTR)	-
-3	201-15-3-1X	201-19-5-2X	-	-	-	-	201-18-10-1X
Model ASO165-10S							
301543							
-1	201-15-3-1X	201-19-5-2X	-	-	-	201-17-8-2X(FWD)	-
-2	201-15-3-1X	201-19-5-2X	-	-	-	201-17-8-1X(CTR)	-
-3	201-15-3-1X	201-19-5-2X	-	-	-	-	201-18-10-1X



14700 Helm Court
Plymouth, MI 48170
(800) 401-9866 or (734) 456-3770
Fax: (734) 456-3739
www.ttcautomotive.com

