



AUX 1241 / 1000

Parts Catalog

Bulletin No. T210-AMO1000-4

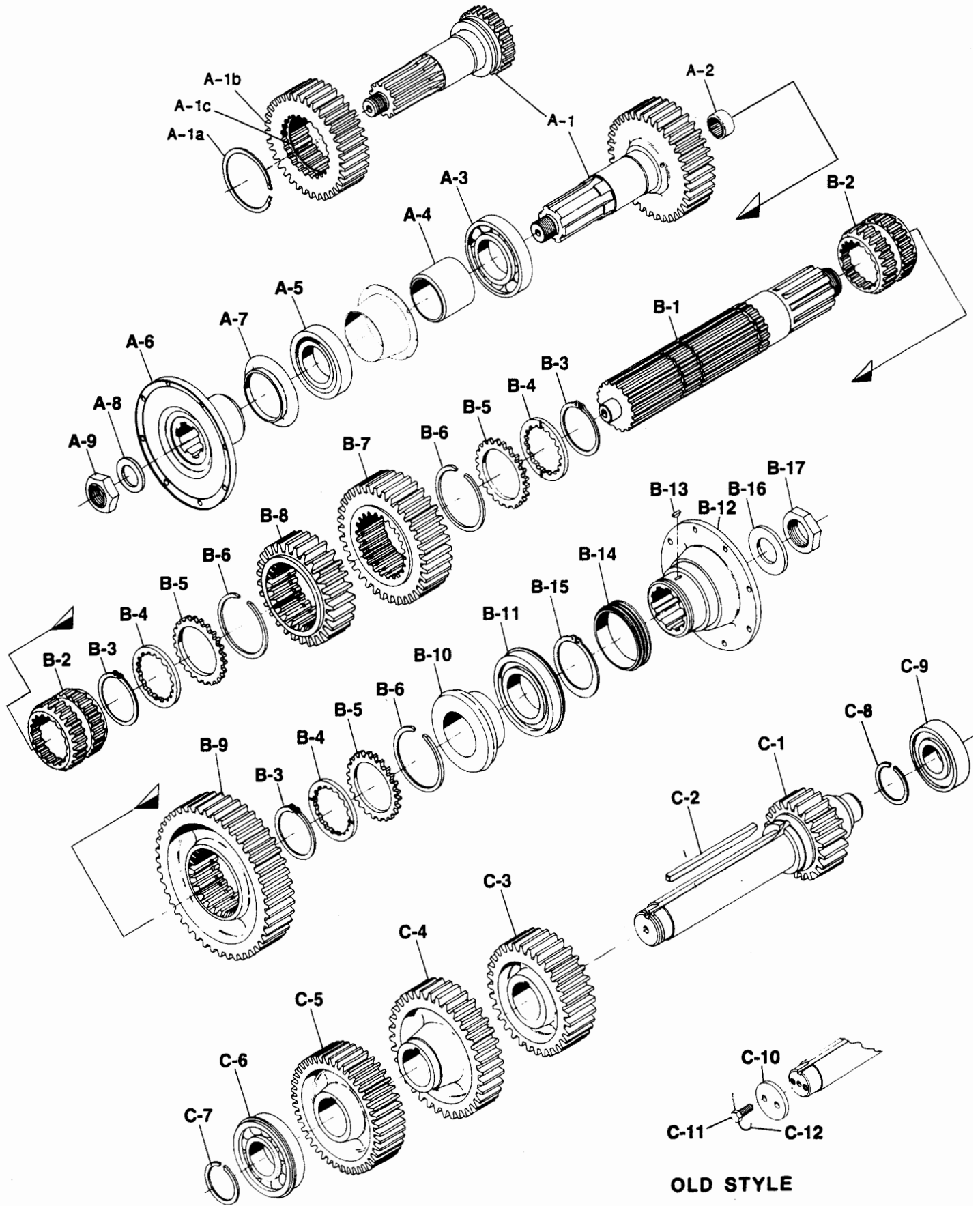
August 1991



MODEL AMO/APO1000-4

Manual/Air-Matic Shift GEARS and RELATED PARTS

T210-AMO1000-4



MODEL AMO/APO1000-4



Manual/Air-Matic Shift GEARS and RELEATED PARTS

T210-AMO1000-4

Ref.No.	Part Number	Part Description	Qty.
Drive Gear Group - Input			
A-1	98-35-1	Drive Gear - (38T) ((1) piece D/G) Model 1241	1
or	98-35-3	Drive Gear - (38T) ((1) piece D/G) Model P1241	1
or	98-35-5-1X	Input Shaft - (2.594-20T spline)((2) piece D/G) Model AMO/APO100-4	1
A-1a	98-381-6	Snap Ring - External (Model AMO/APO1000-4)	1
A-1b	98-35-7-1X	Drive Gear - (38T) ((2) piece D/G) Model AMO1000-4	1
or	98-35-9-1X	Drive Gear - (38T) ((2) piece D/G) Model APO1000-4	1
A-1c	97-381-32	Snap Ring - Internal (Model AMO/APO1000-4)	1
A-2	550889	Bearing - Drive Gear Pocket	1
A-3	550914	Bearing - Drive Gear Rear (used with (1)pc. D/G) (Mods. 1241/P1241)	1
or	550981	Bearing - Input Shaft Rear (Models AMO/APO1000-4)	1
A-4	98-37-1	Spacer - (used with (1)pc. D/G) (Models 1241/P1241)	1
or	98-37-9	Spacer - (used with (2) piece D/G) (Models AMO/APO1000-4)	1
A-5	550908	Bearing - Drive Gear Front (used with (1)pc. D/G) (Models 1241/P1241)	1
or	313747X	Bearing - Input Shaft Front (Models AMO/APO1000-4)	1
A-6	See Tab Bills	Companion Flange or End Yoke - Front (See page)	1
A-7	829-W	Slinger - Oil (used with (1)pc. D/G) (Models 1241/P1241)	1
or	231745	Slinger - Oil (used with (2)pc. D/G) (Models AMO/APO1000-4)	1
A-8	98-468-1	Baffle - Breather (used with (1)pc. D/G - A.S.S.N. 2821910)	1
or	98-468-2	Baffle - Breather (used with (2)pc. D/G. - A.S.S.N. 2821901)	1
A-9	184-W	Washer - 1 1/2" ID (used with (1)pc. D/G) (Models 1241/P1241)	1
or	330734	Washer - 1 25/32" ID (used with (2)pc. D/G) (Model AMO/APO1000-4)	1
A-10	500898	Nut - 1 1/2" -18 hex head (used with (1)pc. D/G) (Models 1241/P1241)	1
or	545047	Nut - 1 3/4" -12 hex head (used with (2)pc. D/G) (AMO/APO1000-4)	1
Mainshaft Group - Output			
B-1 @	98-362-1	Mainshaft - (for Base B/M's 300977, 300978, 301145 & 301146 with Shifter Housing 98-16-4) (see pages 10-11)	1
or	98-362-3	Mainshaft - (for all other Base B/M's & all other Shifter Hsgs. see pages 12-13)	1
or	98-362-2	Mainshaft - (Models APO1000-4 & P1241)	1
B-2	98-465-4	Clutch Collar (Models AMO1000-4,1241)	2
or	98-465-2	Clutch Collar (Curvic Teeth) (Models APO1000-4, P1241)	2
B-3	98-381-1	Snap Ring - External	3
B-4	330869	Thrust Washer - Internal Splined (18T)	3
B-5	330810	Thrust Washer - External Splined (24T) (AMO1000-4 & 1241 only)	3
B-6	98-381-2	Snap Ring - Internal (AMO1000-4 & 1241 only)	3

@ - This part is no longer available. Replace if required with Service Kits:

313206-1X - For Manual Shift Units

313206-2X - For Units with Top Mount PTO's 313051X,313232X and 313254X

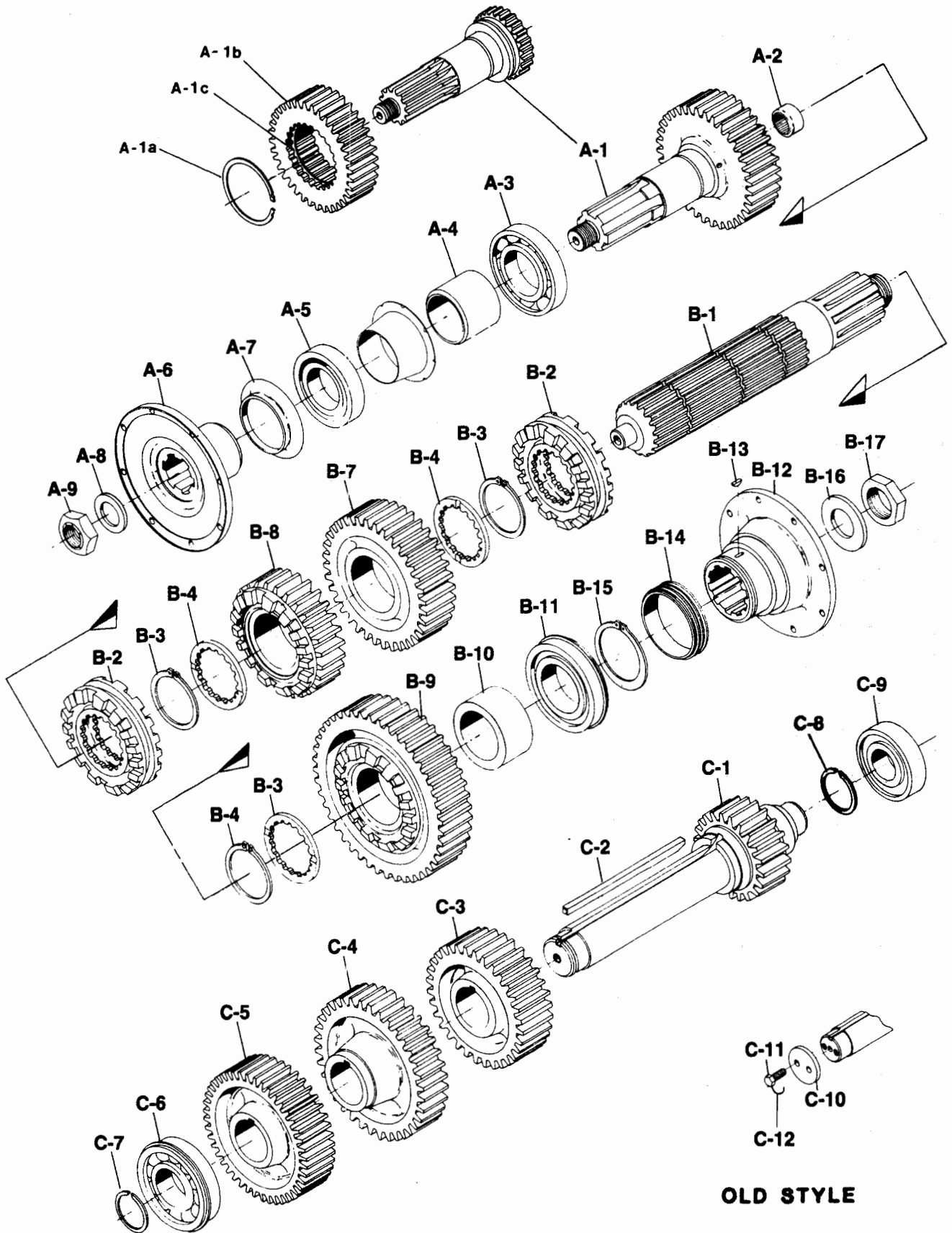
A.S.S.N. - After Starting Serial Number

PARTS LISTED IN THIS CATALOG MAY NO LONGER BE AVAILABLE, USE WITH TRANSMISSION SUPERSEDING LIST.

MODEL AMO/APO1000-4

Manual/Air-Matic Shift GEARS and RELATED PARTS

T210-AMO1000-4



MODEL AMO/APO1000-4

Manual/Air-Matic Shift



GEARS and RELATED PARTS

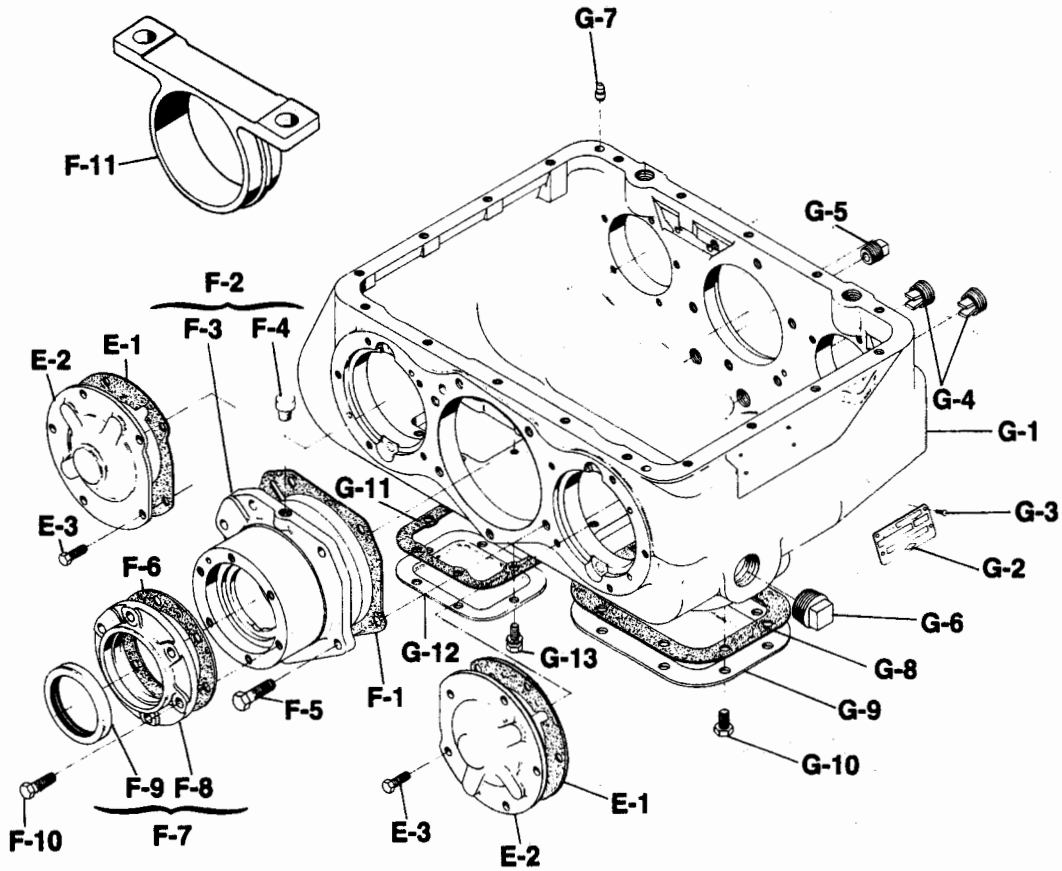
T210-AMO1000-4

Ref.No.	Part Number	Part Description	Qty.
B-7	98-8-3	Gear - Mainshaft 2nd speed (34T) (Models AMO1000-4 & 1241)	1
or	98-8-6	Gear - Mainshaft 2nd speed (34T) (Models APO1000-4 & P1241)	1
B-8	98-8-13	Gear - Mainshaft 4th speed (28T) Overdrive (Models AMO1000-4 & 1241)	1
or	98-8-18-1X	Gear - Mainshaft Overdrive (28T)(Curvic Teeth) (Mods. APO100-4 & P1241)	1
N.S.	98-37-7	Spacer - Mainshaft Overdrive Lock-out	1
B-9	98-8-24	Gear - Mainshaft 1st speed (44T) (AMO1000-4C & 1241-C)	1
or	98-8-14	Gear - Mainshaft 1st speed (44T) (APO1000-4C & P1241C)	1
or	98-8-7	Gear - Mainshaft 1st speed (38T) (AMO1000-4D & 1241-D)	1
or	98-8-20	Gear - Mainshaft 1st speed (38T) (APO1000-4D & P1241-D)	1
B-10	98-37-2	Spacer - Mainshaft 1st speed Gear (AMO1000-4 & 1241)	1
or	98-37-6	Spacer - Mainshaft 1st speed Gear (APO1000-4 & P1241)	1
B-11	550925	Bearing - Mainshaft rear	1
B-12	See Tab Bills	Companion Flange or End Yoke - Rear (see page 20)	1
B-13	500007-9	Key - #3 Woodruff (1/8"x1/2") (for Speedo Drive Gear)	1
B-14	98-452-1	Gear - Speedometer Drive (4T) (Mechanical)	1
or	98-452-2	Gear - Speedometer Signal (16 grooves) (Electronic)	1
B-15	97-381-6	Snap Ring - Speedometer Drive or Signal Gear	1
B-16	330734	Washer - 1 25/32" ID	1
B-17	545047	Nut - 1 3/4"-12 hex head self-locking	1
Countershaft Group			
C-1	98-30-9-1X	Countershaft (21T) (incl. Snap Ring 97-381-30) (AMO1000-4C,1241C)	2
or	98-30-10-1X	Countershaft (27T) (incl. Snap Ring 97-381-30) (AMO1000-4D,1241D)	2
C-2	98-210-2	Key - Square	2
C-3	98-196-7	Gear - 2nd speed C/S (31T)	2
C-4	98-196-8	Gear - 4th speed C/S (39T) Overdrive	2
C-5	98-1-1	Gear - C/S Drive (43T)	2
C-6	550952	Bearing - C/S front	2
C-7	97-381-30	Snap Ring - Bearing retaining	2
C-8	97-381-34	Ring - spacer C/S rear bearing (Right Hand side)	1
C-9	550720	Bearing - C/S rear	2
C-10	636-W	Washer - C/S bearing retaining	2
C-11	747-D	Bolt - 1/2"-20 x 1 1/8"	4
C-12	LW-1	Lockwire	A/R

N.S. - Not Shown

MODEL AMO/APO1000-4

T210-AMO1000-4 CASE, BEARING CAP and RELATED PARTS





MODEL AMO/APO1000-4

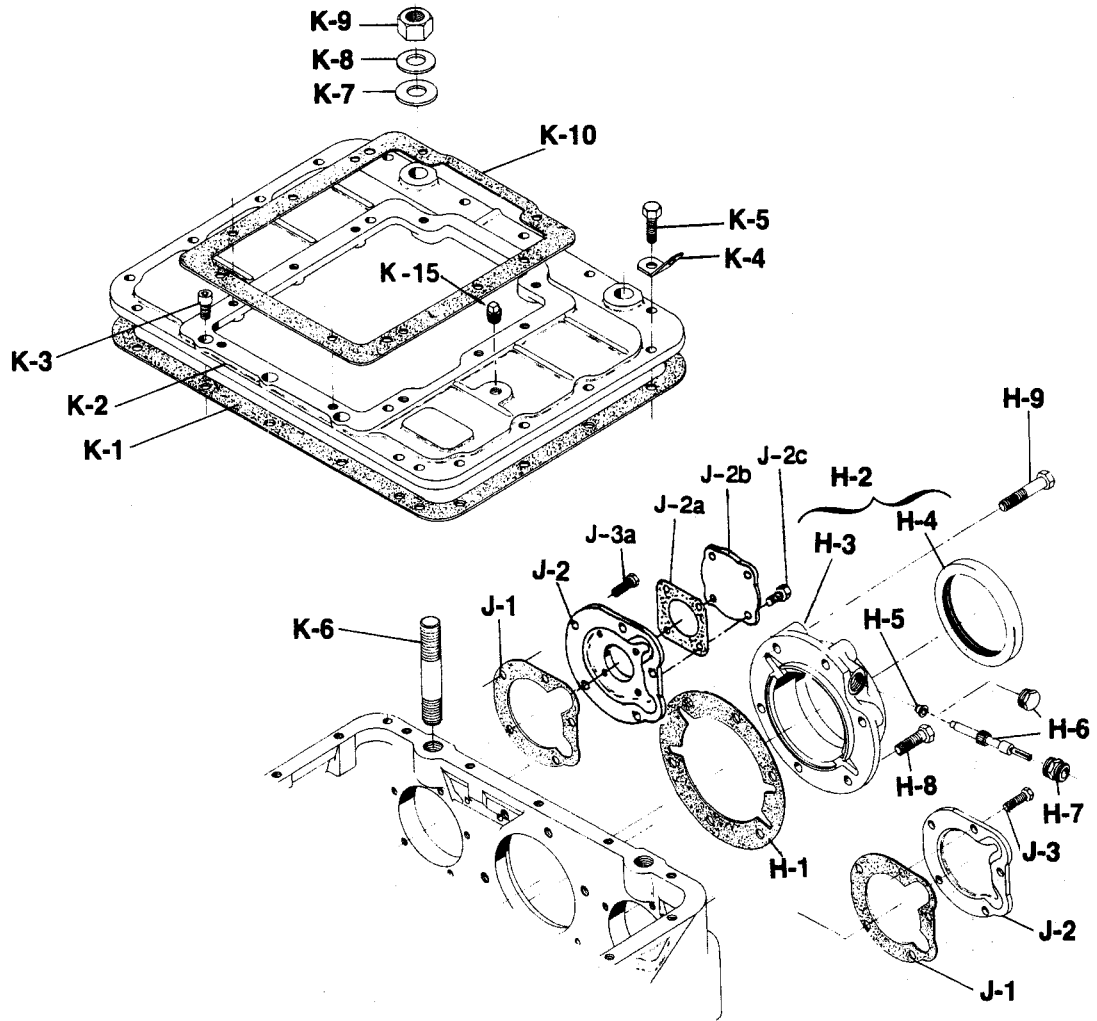
CASE, BEARING CAP and RELATED PARTS

T210-AMO1000-4

Ref.No.	Part Number	Part Description	Qty.
Countershaft Front Bearing Cap Group			
E-1	98-223-5	Gasket	2
E-2	98-22-1	Cap	2
E-3	545002-4	Bolt - 3/8" -16 x 1 1/8" hex head self-locking	10
Drive Gear Bearing Cap and Retainer Group			
F-1	98-223-1	Gasket - Drive Gear Bearing Retainer	1
F-2	98-360-3-1X	Retainer Assembly (used with (1)pc. Drive Gear)	1
F-3	N.S.S.	Retainer	1
F-4	4328X	Breather	1
N.S.	500113-3	Plug - Breather hole, Shifter Hsg. (See Ref. No. K-11 page 11)	1
N.S.	500112	Plug - Breather hole, Top Mount	1
or	98-360-4-1X	Retainer Assembly (used with (2)pc. Drive Gear) (Includes F-1, F-4 and F-6)	1
F-5	545001-3	Bolt - 1/2" -13 x 1 3/4" hex head self-locking	6
F-6	70-223-14	Gasket - Front Bearing Cap	1
F-7	311726X	Cap Assembly (Includes F-8 and F-9)	1
F-8	70-19-39	Cap	1
F-9	82-463-4	Oil Seal	1
F-10	545028-2	Bolt - 7/16" -14 x 1 1/2" hex head self-locking	6
F-11	70-410-2	Trunion	1
Case Group			
	98-15-1-1X	Case Assembly (Includes G-1 thru G-7)	1
G-1	N.S.S.	Case	1
G-2	NP-96	Nameplate	1
G-3	252-SP	Pin - Nameplate	4
G-4	62-39-4	Drain and Oil line Plug	2
G-5	500114	Plug - 1/2" -14 NPTF Thermocouple	1
G-6	50-39-20	Plug - Magnetic Filler	1
G-7	274-SP	Dowel Pin	2
G-8	97-324-2	Gasket - 8 Bolt PTO opening	1
G-9	73-267-1	Cover - 8 Bolt PTO opening	1
G-10	545012	Bolt - 7/16" -14 x 3/4" flanged head self-locking	8
G-11	97-324-1	Gasket - 6 Bolt PTO opening	1
G-12	50-267-2	Cover - 6 Bolt PTO opening	1
G-13	330800	Bolt - 3/8" -16 x 3/4" flanged head self-locking	6

N.S. - Not Shown

N.S.S. - Not Sold Separately



Rear Anchor Stud Chart

Ref.No	Part Number	Part Description	Qty
K-6	330812	Stud - 7/8" -14 & 7/8" -9 x 5 1/4" rear anchor.....	2
or	330812-1	Stud - 7/8" -14 & 7/8" -9 x 5 3/4" rear anchor.....	2
or	330812-2	Stud - 7/8" -14 & 7/8" -9 x 4 1/8" rear anchor.....	2
or	330812-3	Stud - 7/8" -14 & 7/8" -9 x 4 7/16" rear anchor.....	2
or	330812-4	Stud - 7/8" -14 & 7/8" -9 x 6 3/4" rear anchor.....	2
or	330812-5	Stud - 7/8" -14 & 7/8" -9 x 5" rear anchor.....	2
or	330812-7	Stud - 7/8" -14 & 7/8" -9 x 6" rear anchor.....	2
or	330812-8	Stud - 7/8" -14 & 7/8" -9 x 5 3/4" rear anchor (longer thd. on mntg. end).....	2
or	330812-9	Stud - 7/8" -14 & 7/8" -9 x 6 1/4" rear anchor.....	2



MODEL AMO/APO1000-4

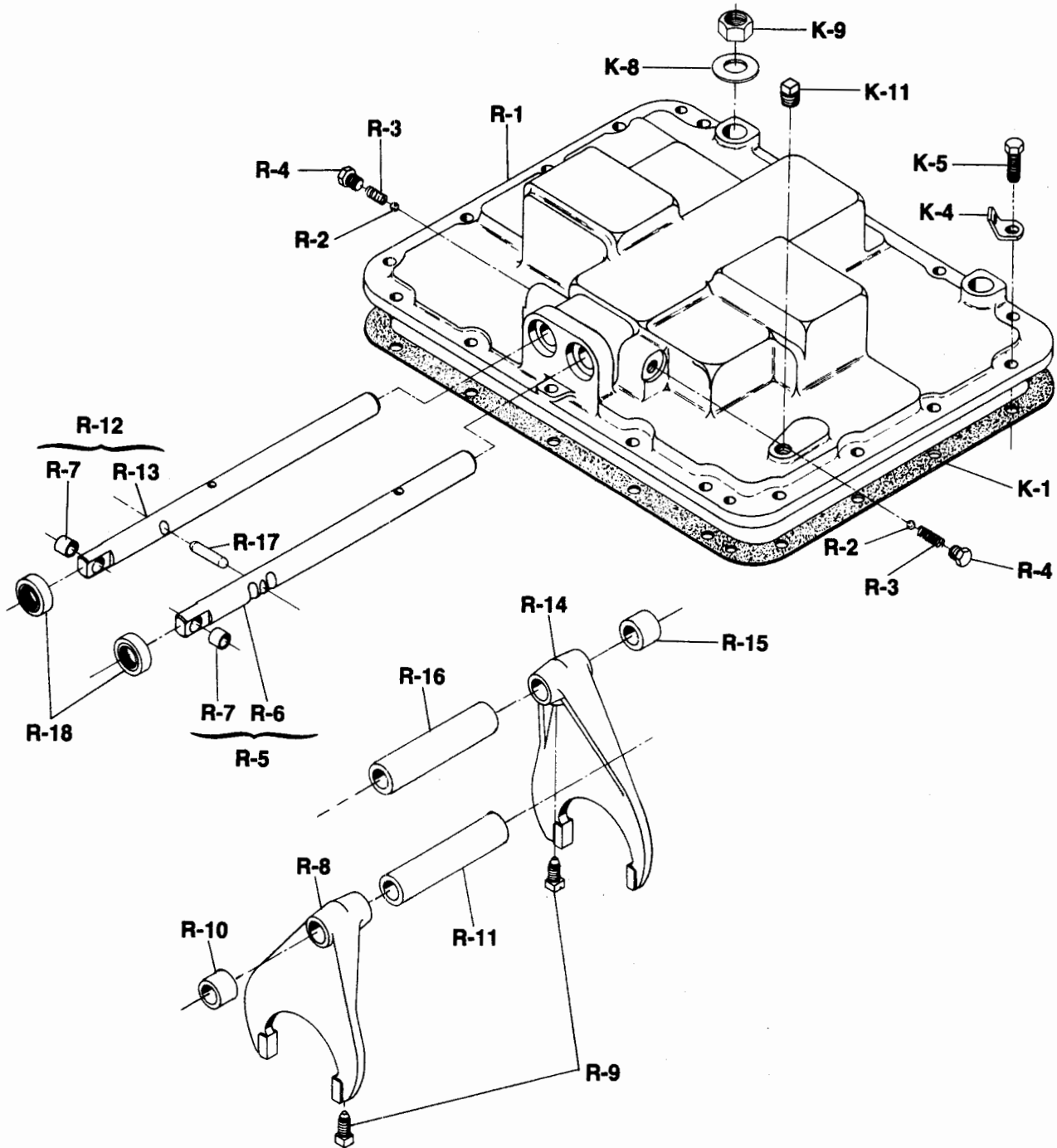
CASE, BEARING CAP and RELATED PARTS T210-AMO1000-4

Ref.No.	Part Number	Part Description	Qty.
		Mainshaft Rear Bearing Cap Group - For Gear Driven Speedometer	
H-1	98-223-2	Gasket	1
H-2	98-19-1-2X	Bearing Cap Sub-assy. (Includes H-3,H-4 and H-5)	1
H-3	N.S.S.	Bearing Cap	1
H-4	98-463-1	Oil Seal	1
H-5	60-475-1	Speedometer Bushing	1
H-6	98-453-1	Gear - Speedometer Driven (12T)	1
or	55-334-1	Plug (used without Speedometer driven gear)	1
H-7	98-454-1-1X	Sleeve and Seal Assembly - Speedometer Driven Gear (Includes 98-463-2 Oil Seal)	1
N.S.	44-539-1	Dust Cap	1
H-8 and	545001-4	Bolt - 1/2" -13 x 1 1/2" hex head self-locking	4
H-9	545001-9	Bolt - 1/2" -13 x 2 5/8" hex head self-locking	2
		Mainshaft Rear Bearing Cap Group - For Electronic Speedometer	
H-1	98-223-2	Gasket	1
H-2	98-19-5-1X	Bearing Cap Sub-assy. (Includes H-3,H-4,H-5,55-334-1 & 545021)	1
H-3	N.S.S.	Bearing Cap	1
H-4	98-463-1	Oil Seal	1
H-5	60-475-1	Speedometer Bushing	1
N.S.	55-334-1	Plug - Speedo outlet	1
N.S.	545021	Plug - Electronic Speedo/Cruise	1
H-8 and	545001-4	Bolt - 1/2" -13 x 1 1/2" hex head self-locking	4
H-9	545001-9	Bolt - 1/2" -13 x 2 5/8" hex head self-locking	2
		Countershaft Rear Bearing Cap Group	
J-1	98-223-4	Gasket - Right and Left side	2
J-2	98-22-3	Cap - Left side	1
and	98-22-5	Cap - Right side	1
J-2a	70-223-25	Gasket - Countershaft Plate	1
J-2b	98-20-2	Plate - Oil Pump opening	1
J-2c	545005-2	Screw - Oil Pump Plate (5/16" -18 x 3/4")	4
J-3	545002-4	Bolt - 3/8" -16 x 1 1/8" hex head self-locking	5
J-3a	545002-6	Bolt - 3/8" -16 x 1 3/8" hex head self-locking (for right side Cap)	5
		Adapter Plate Group	
K-1	98-155-1	Gasket - Adapter Plate or Shifter Housing	1
K-2	98-215-3	Adapter Plate	1
K-3	545094	Bolt - 7/16" -14 x 7/8" socket head self-locking	3
K-4	330564-2	Lift Hook	2
K-5	545028	Bolt - 7/16" -14 x 1 1/4" hex head self-locking	15
K-6	See Chart page 8	Stud - Rear Anchor	2
K-7	16-W	Washer - 7/8" ID case rear anchor stud spacer	4
K-8	139-W	Washer - 29/32" ID case rear anchor stud	2
K-9	500371-9	Nut - 7/8-14 hex	2
K-10	70-155-4	Gasket - Shifter Housing and PTO	1
K-15	500114	Plug - Oil Cooler return hole	1

N.S. - Not Shown

N.S.S. - Not Sold Separately

DISCONTINUED SHIFTER HOUSING ASSEMBLIES





MODEL AMO1000-4 MANUAL SHIFTER HOUSING PARTS

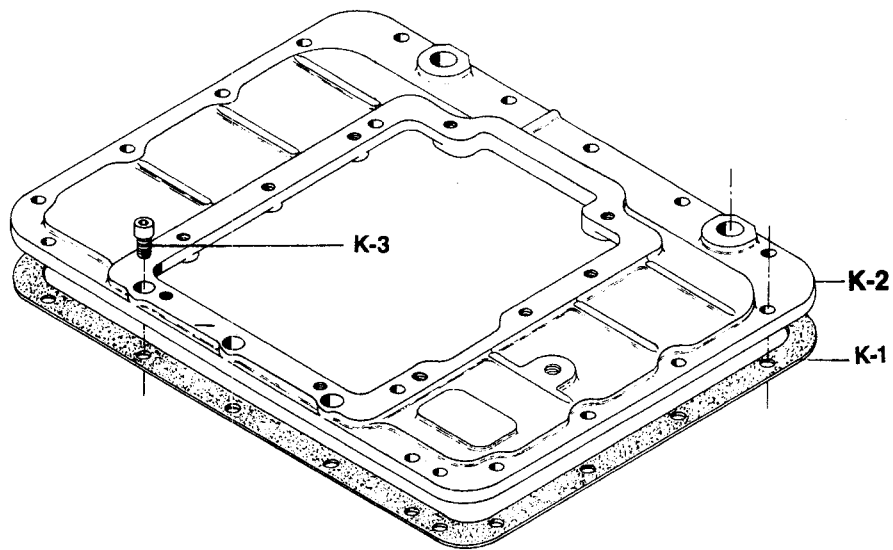
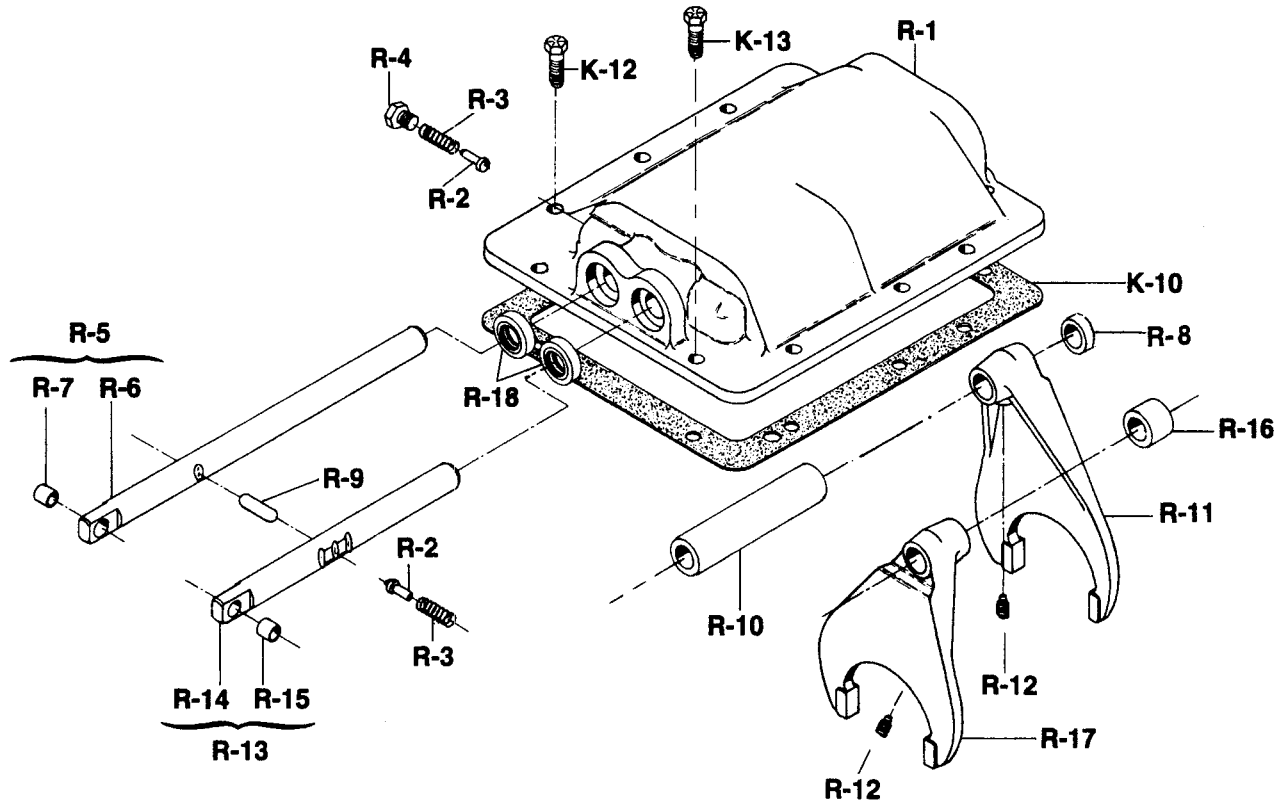
T210-AMO1000-4

Ref. No.	Part No.	Part Description	98-16-4-1X	98-16-4-2X	98-16-4-3X
SHIFTER HOUSING ASSEMBLY - (SEE NOTE)					
		with 98-362-1 mainshaft	1	—	—
		with 98-362-1 or -3 mainshaft, O'D locked out.....	—	1	—
		with 98-362-3 mainshaft	—	—	1
R-1	N.S.S.	Housing-shifter (use with breather in bearing cap).....	1	1	1
R-2	50-80-5	Ball - shift rod poppet	2	2	2
R-3	97-72-4	Spring - poppet	2	2	2
R-4	59-3	Plug - poppet retainer	2	2	2
R-5	98-67-16-1X	Shift Rod and Bushing Assembly - 3rd & 4th speed.....	1	—	—
"	98-67-17-1X	Shift Rod and Bushing Assembly - 3rd & 4th speed.....	—	1	1
R-6	98-67-1	Shift Rod.....	1	—	—
"	98-67-12	Shift Rod.....	—	1	1
R-7	71-24-14	Bushing	1	1	1
R-8	98-66-1	Shift Fork	1	1	1
R-9	545004	Bolt - 7/16"-20 x 1 3/16" shift fork set-self-locking.....	2	2	2
R-10	52-203-5	Sleeve - 3rd shift stop (3/16" length)	1	1	1
R-11	98-203-1	Sleeve - overdrive stop (5 1/32" length)	1	—	—
"	98-203-2	Sleeve - overdrive lock nut (5 9/16" length)	—	1	—
"	98-203-3	Sleeve - overdrive stop (5 1/4" length)	—	—	1
R-12	98-67-16-1X	Shift Rod and Bushing Assembly - 1st & 2nd speed	1	1	1
R-13	98-67-1	Shift Rod	1	1	1
R-7	71-24-14	Bushing	1	1	1
R-14	98-66-1	Shift Fork	1	1	1
R-15	52-203-5	Sleeve - 1st shift stop (3/16" length)	1	1	1
R-16	98-203-1	Sleeve - 2nd shift stop (5 1/32" length).....	1	1	1
R-17	70-12-1	Interlock.....	1	1	1
R-18	61-463-4	Oil Seal - shift rod	2	2	2
PARTS LISTED BELOW ARE NOT INCLUDED IN ASSEMBLY					
K-1	98-155-1	Gasket - shifter housing	1	1	1
K-4	330564-2	Lift Hook	2	2	2
K-5	545028	Bolt - 7/16"-14 x 1 1/8" hex head self-locking.....	18	18	18
K-8	139-W	Washer - 2 29/32" I.D. - rear anchor stud	2	2	2
K-9	550371-9	Nut - 7/8" - 14 hex.....	2	2	2
K-11	500113-3 (1) or 5951X (1)	Plug - breather - (When breather is in drive gear bearing retainer) Breather - (When breather is not in drive gear bearing retainer)...	} 1	1	1
NOTE — Also see pages 12 and 13					
98-16-4-1X Superseded by 70-16-10-7X					
98-16-4-2X Superseded by 70-16-10-8X					
98-16-4-3X Superseded by 70-16-10-7X					

(1) - When Shifter Housing 98-16-1, is used.

N.S.S. - Not Sold Separately

MODEL AMO1000-4
T210-AMO1000-4 MANUAL SHIFTER HOUSING PARTS





MODEL AMO1000-4

MANUAL SHIFTER HOUSING PARTS

T210-AMO1000-4

Ref.No.	Part Number	Part Description	70-16-10					
			-7X	-8X	11	-12X	-13X	-14X
	See Tab Bills	Shifter Housing Assembly	1	1	1	1	1	1
R-1	70-16-10	Shifter Housing	1	1	1	1	1	1
R-2	85-438-1	Poppet - Shift Rod	2	2	2	2	2	2
R-3	71-72-1	Spring - Shift Rod Poppet	2	2	2	2	2	2
R-4	59-3	Plug - poppet hole screw (1/2" -20)	1	1	1	1	1	1
R-5	98-67-14-1X	Shift Rod and Bushing Assembly - 1st and 2nd speed	1	1	1	1	1	1
R-6	N.S.S.	Shift Rod	1	1	1	1	1	1
R-7	71-24-14	Bushing	1	1	1	1	1	1
R-8	203-9	Sleeve - 1st Speed lockout	-	-	-	-	1	1
R-9	70-12-1	Interlock	1	1	1	1	1	1
R-10	70-203-2	Sleeve - 2nd speed stop (5 7/8" long)	1	1	1	1	1	1
R-11	98-66-12	Shift Fork - 1st and 2nd speed	1	1	1	1	1	1
R-12	545063	Screw - 7/16" -20 x .750" allen head self-locking	2	2	2	2	2	2
R-13	98-67-15-1X	Shift Rod and Bushing Assembly - 3rd and 4th speed	1	1	1	1	1	1
R-14	N.S.S.	Shift Rod	1	1	1	1	1	1
R-15	71-24-14	Bushing	1	1	1	1	1	1
R-16	72-203-5	Sleeve - Overdrive lockout - length 21/32"	-	1	-	1	-	1
R-17	98-66-12	Shift Fork - 3rd and 4th speed	1	1	1	1	1	1
R-18	61-463-4	Oil Seal - Shift Rod	2	2	2	2	2	2
K-2	98-215-3	Adapter Plate	1	1	-	-	-	-
K-10	70-155-4	Gasket - Shifter Housing	1	1	-	-	-	-
K-12	545028-4	Screw - 7/16" -14 x 1.00" hex head self-locking	8	8	-	-	-	-
K-13	545028-5	Screw - 7/16" -14 x 1 1/8" hex head self-locking (used in right and left front hole as shown)	2	2	-	-	-	-
PARTS LISTED BELOW ARE NOT INCLUDED IN ASSEMBLY								
K-10	70-155-4	Gasket - Shifter Housing	-	-	1	1	1	1
K-12	545028-4	Screw - 7/16" -14 x 1.00" hex head self-locking	-	-	8	8	8	8
K-13	545028-5	Screw - 7/16" -14 x 1 1/8" hex head self-locking (used in right and left front hole as shown)	-	-	2	2	2	2

CAUTION

Shifter Housing Assys. 98-16-4-1X, 98-16-4-2X, 98-16-4-3X (used on Base B/M's 300977, 300978, 301145 & 301146) have been superseded by:
 70-16-10-7X supersedes (98-16-4-1X & 98-16-4-3X)
 70-16-10-8X supersedes (98-16-4-2X)

If a complete Shifter Housing 98-16-4-1X, 98-16-4-2X or 98-16-4-3X needs to be replaced with the appropriate superseding Assy., the following parts are also to be replaced:

- Mainshaft 98-362-1 replace with 98-362-3
- 1st speed Gear 98-8-1 replace with 98-8-24 (1241-C only) (Base B/M 300977,301145)

N.S.S. - Not Sold Separately

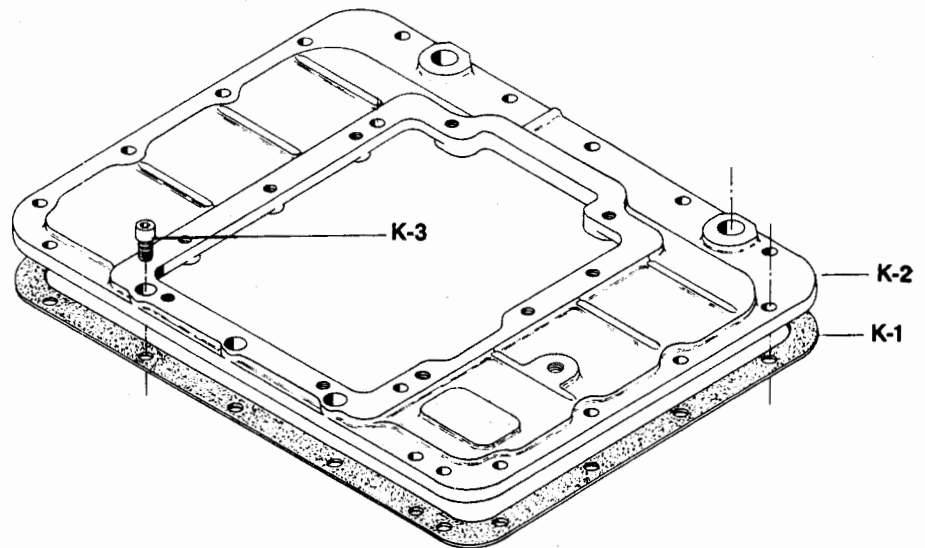
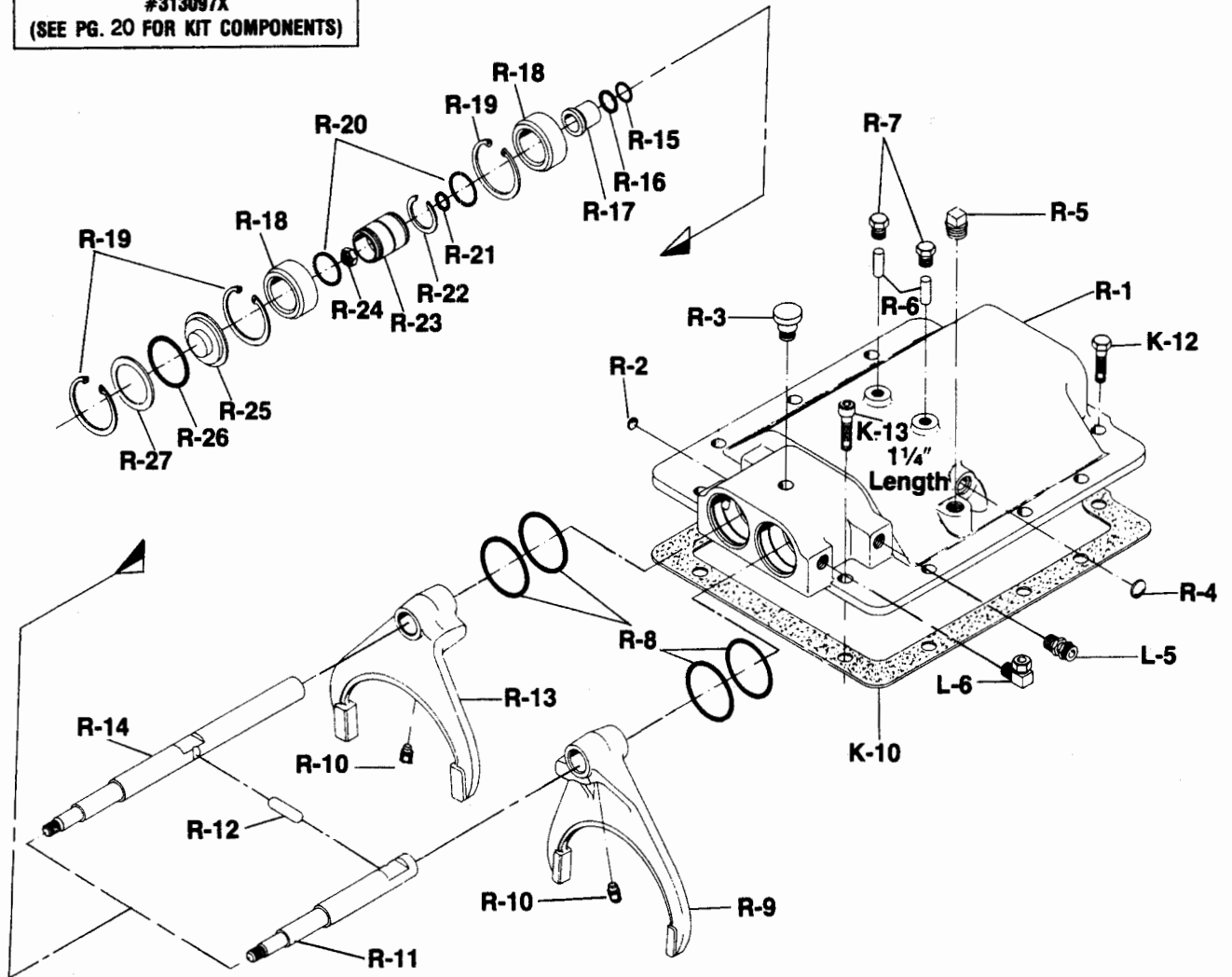
MODEL APO1000-4

T210-AMO1000-4

AIR-MATIC SHIFTER HOUSING PARTS



**"O" RING REPAIR KIT
#313097X
(SEE PG. 20 FOR KIT COMPONENTS)**





MODEL APO1000-4

AIR-MATIC SHIFTER HOUSING PARTS

T210-AMO1000-4

Ref.No.	Part Number	Part Description	Qty.
	70-16-14-2X	Air-Matic Shifter Housing Assembly	1
	70-16-14-4X	Shifter Housing and Breather Assembly (includes R-1 thru R-3)	1
R-1	N.S.S.	Shifter Housing	1
R-2	500166-5	Expansion Plug - 7/16"	1
R-3	312268	Breather	1
R-4	500166-8	Expansion Plug - 5/8"	1
R-5	500113	Plug - breather hole	1
R-6	70-438-1	Pin - Shift rod stop	2
R-7	59-3	Plug - stop pin	2
R-8	70-463-3	"O" Ring - outer piston	4
R-9	70-66-28	Shift Fork - 3rd and 4th speed	1
R-10	545063	Screw - 7/16"-20 x .750" allen head self-locking	2
R-11	98-67-8	Shift Rod - 3rd and 4th speed	1
R-12	52-12-3	Interlock	1
R-13	70-66-28	Shift Fork - 1st and 2nd speed	1
R-14	98-67-7	Shift Rod - 1st and 2nd speed	1
R-15	70-463-6	"O" Ring - piston rod bushing internal	2
R-16	97-463-7	"O" Ring - piston rod bushing outer	2
R-17	70-24-2	Bushing - piston rod	2
R-18	70-136-1	Piston - external	4
R-19	80-381-7	Snap Ring	6
R-20	70-463-7	"O" Ring - internal piston	4
R-21	70-463-4	"O" Ring - internal piston to piston rod	2
R-22	70-381-9	Snap Ring - internal piston	2
R-23	70-136-3	Piston - internal	2
R-24	545045	Nut - 7/16"-20 hex nylon patch self-locking	2
R-25	70-96-2	Cap - piston end	2
R-26	70-463-1	"O" Ring - piston end cap	2
R-27	330868	Washer - piston end cap	2
PARTS LISTED BELOW ARE NOT INCLUDED IN ASSEMBLY			
K-10	70-155-4	Gasket - shifter housing	1
K-12	545028	Screw - 7/16"-14 x 1 1/4" hex head self-locking	8
K-13	545040-1	Screw - 7/16"-14 x 1 1/4" socket head self-locking	2
CONTROL VALVE PARTS (part of 313127X see page 16 for complete list)			
L-5	312526-1	Connector	2
L-6	545025-1	Elbow - nylon tubing	2

N.S.S. - Not Sold Separately

MODEL APO1000-4

"Air-Matic"

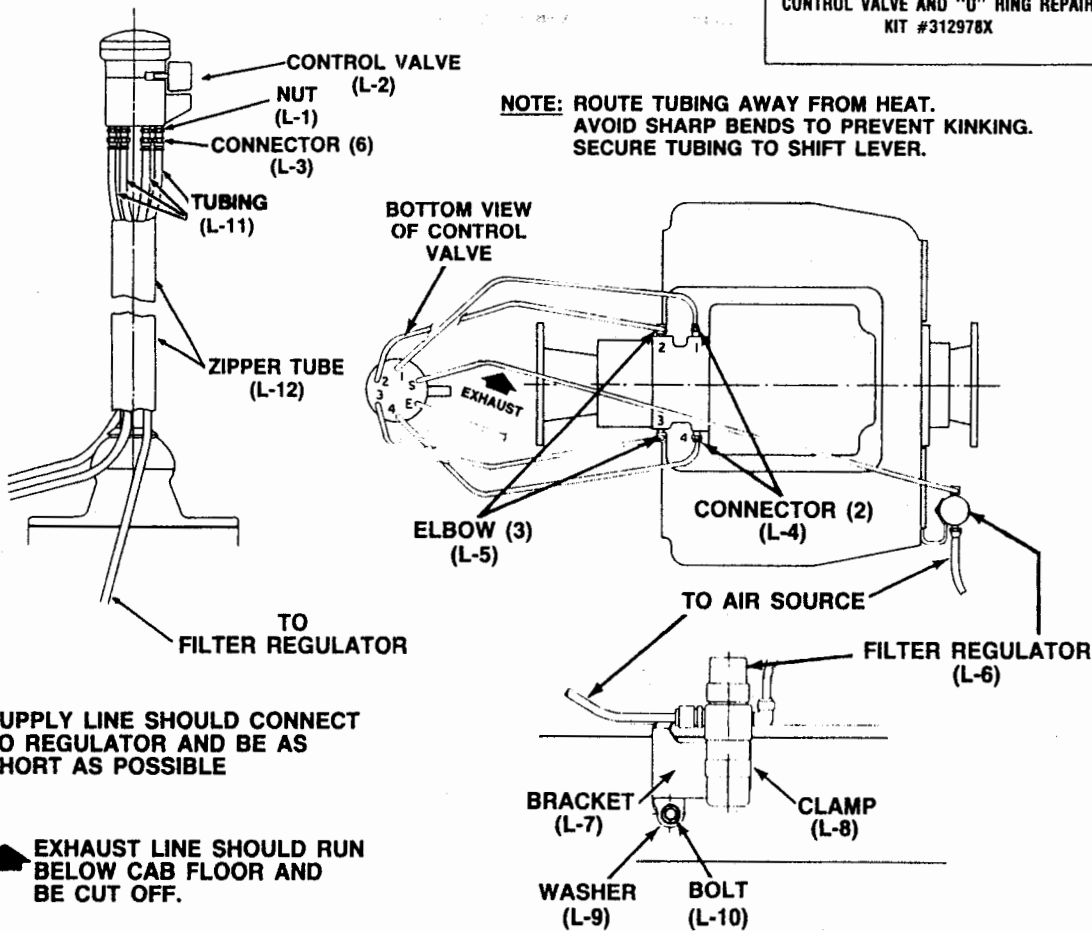
CONTROL VALVE & MOUNTING PARTS



T210-AMO1000-4

TUBING DIAGRAM

CONTROL VALVE AND "O" RING REPAIR
KIT #312978X



Ref.No.	Part Number	Part Description	313127			
			-X	-1X	-2X	-3X
	See Tab Bills	Control Valve and Mounting Parts Kit	1	1	1	1
L-1	500803	Nut - Shift Lever jam	1	-	1	1
L-2	313179	Valve - Control	1	-	1	1
L-3	312526	Connector	6	-	6	6
L-4	312526-1	Connector	2	2	2	4
L-5	545025-1	Elbow	3	3	3	3
L-6	313042	Filter Regulator	1	1	1	1
L-7	97-411-19	Bracket - Filter Regulator	1	1	1	1
L-8	330831	Clamp - Filter Regulator	1	1	1	1
L-9	500365-26	Washer - 13/32" flat	2	2	2	2
L-10	545002-1	Bolt - 3/8" -16 x 7/8" hex head self-locking	2	2	2	2
L-11	85-420-1-1	Tubing - Nylon Air Line (100 feet)	1	-	1	1
L-11	85-420-1	Tubing - Nylon Air Line (50 feet)	-	-	1	-
L-12	330716-1	Tubing - zipper type (3 feet)	1	-	1	1
N.S.	330717	Slider - zip	1	-	1	1

N.S. - Not Shown

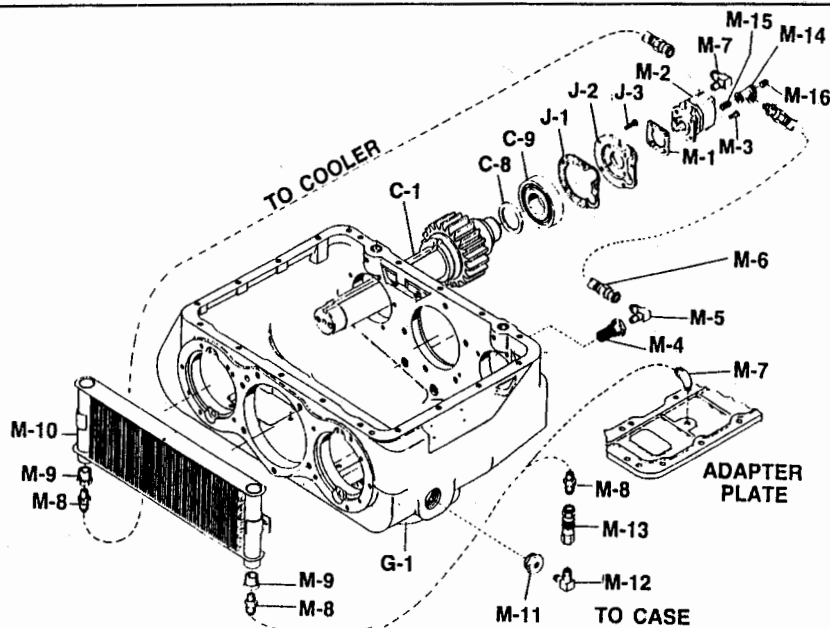
PARTS LISTED IN THIS CATALOG MAY NO LONGER BE AVAILABLE, USE WITH TRANSMISSION SUPERSEDING LITS.

MODEL AMO/APO1000-4

OIL COOLER KITS



T210-AMO1000-4



Ref.No.	Part Number	Part Description	313231		
			-1X	-2X	-3X
	313231-4X	Oil Pump Kit	1	1	1
M-1	70-223-25	Gasket - Oil Pump	1	1	1
M-2	313292	Oil Pump Assy. (Serviced as 313292-1X which incl. M-1)	1	1	1
C-8	97-381-34	Spacer - Countershaft Rear Bearing	1	1	1
J-1	98-223-4	Gasket - Countershaft Rear Bearing Cap	1	1	1
J-2	98-22-5	Bearing Cap - Countershaft rear	1	1	1
J-3	545002-6	Bolt - 3/8"-16 x 1 1/4" hex head self-locking	5	5	5
M-3	545005-7	Bolt - (5/16"-18 x 7/8") Discard screws from plate on C/S Brg. Cap	4	4	4
	313231-5X	Oil Cooler and Plumbing Kit	1	1	1
M-10	313110 *	Oil Cooler Assembly	1	-	-
M-4	313229	Oil Filter	1	1	1
M-5	545051	Elbow - 90 deg. Case outlet	1	1	1
M-6	313117-3	Hose Assembly - Case to pump	1	1	1
M-7	545051	Elbow - pump outlet	2	2	2
M-8	545036	Adapter - case inlet, cooler inlet & outlet	3	-	-
M-9	500714-14	Reducer Bushing - cooler inlet & outlet	2	-	-
M-11	500714-18	Reducer Bushing - case inlet	1	1	1
M-12	545054	Elbow - 90 deg. case inlet	1	1	1
M-13	545053	Quick Disconnect Coupling - case inlet	1	-	-
M-14	545146	Tee - Pipe (Pump inlet)	1	1	1
M-15	545049-1	Nipple - Pump Inlet	1	1	1
M-16	500114	Plug - (End of Pipe Tee)	1	1	1
C-1	98-30-9-1X **	Countershaft (21T) - Model 1241/P1241-C (Base B/M's 300977,301145)	-	1	-
or	98-30-10-1X **	Countershaft (27T) - Modes 1241/P1241-D (Base B/M's 300978, 301146)	-	-	1

* Also available is 313480 Heat Exchanger Assy. All plumbing hardware is the same as shown in 313231-1X and can be ordered as individual components.

** Early Models (Base B/M's 300977, 300978, 301145, 301146) did not have slotted Countershaft for Oil Pump.

If a Cooler Kit is required and you have a base B/M shown, a Retrofit Kit can be provided.

313231-2X for Mod. 1241/P1241-C or 313231-3X for 1241/P1241-D. Some hardware and Oil Cooler or Heat Exchanger which is not included in the Retrofit Kit would have to be ordered as individual components.

Existing Oil Cooler Systems can be Serviced with individual components.

PARTS LISTED IN THIS CATALOG MAY NO LONGER BE AVAILABLE, USE WITH TRANSMISSION SUPERSEDING LIST.

MODEL AMO/APO1000-4

Basic Overhaul Kits



T210-AMO1000-4

Part Number	Part Description	Qty.
313400-61X	Major Overhaul Kit (for Base B/M's 300956,300957,300977) (300978,301053,301054,301151,301152)	1
98-210-2	Key - Countershaft Gear	2
545047	Nut - Mainshaft (1 3/4" -12)	2
330734	Washer - Mainshaft Nut	2
330810	Washer - Mainshaft thrust (24T) external	1
330869	Washer - Mainshaft thrust (18T) internal	1
313432-24X	Minor Overhaul Kit	1
313429-21X	Shifter Housing Parts Repair Kit	1
313400-84X	Major Overhaul Kit (for Base B/M's 301393,301394,301395,) (301396,301474,301475,301476,301477)	1
98-210-2	Key - Countershaft Gear	2
545047	Nut - Mainshaft (1 3/4" -12)	2
330734	Washer - Mainshaft Nut	2
330810	Washer - Mainshaft thrust (24T) external	1
330869	Washer - Mainshaft thrust (18T) internal	1
313432-37X	Minor Overhaul Kit	1
313429-21X	Shifter Housing Parts Repair Kit	1
313432-24X	Minor Overhaul Kit (Included in Major Overhaul Kit 313400-61X) Bearings	1
550720	Countershaft Rear	2
550952	Countershaft Front	2
550889	Drive Gear/Input Shaft Pocket	1
550908	Drive Gear Front	1
550914	Drive Gear Rear	1
550925	Mainshaft Rear	1
82-463-4	Oil Seal - Drive Gear Bearing Cap	1
98-463-1	Oil Seal - Mainshaft Rear Bearing Cap	1
545077	Bearing Lubricant - Packet #2 Moly grease	1
545080-1	Anaerobic Sealant - Mainshaft Nut	1
747-D	Screw - Countershaft Retaining Washer	4
636-W	Washer - Countershaft Retaining	2
2333-1	Service Manual	1
2770	Bulletin - Pocket Bearing Lube Inst.	1
2776	Bulletin - Overhaul Kit Inst.	1
2783	Bulletin - Mainshaft Nuts	1
2747	Bulletin - Control Piping Diagram	1
312475-25X	Gasket Kit	1
313024-24X	Snap Ring Kit	1

PARTS LISTED IN THIS CATALOG MAY NO LONGER BE AVAILABLE, USE WITH TRANSMISSION SUPERSEDING LIST.

MODEL AMO/APO1000-4

Basic Overhaul Kits



T210-AMO1000-4

Part Number	Part Description	Qty.
313432-37X	Minor Overhaul Kit (Included in Major Overhaul Kit 313400-84X)	1
	Bearings	
313747X	Front Input Bearing Kit (includes 550982 Brg. & 2845 Bulletin)	1
550720	Countershaft Rear	1
550952	Countershaft Front	1
550889	Drive Gear/Input Shaft Pocket	1
550981	Input Shaft Rear	1
550925	Mainshaft Rear	1
82-463-4	Oil Seal - Drive Gear Bearing Cap	1
98-463-1	Oil Seal - Mainshaft Rear Bearing Cap	1
545077	Bearing Lubricant - Packet #2 Moly Grease	1
545080-1	Anaerobic Sealant - Mainshaft Nut	1
747-D	Screw - Countershaft Retaining Washer	4
636-W	Washer - Countershaft Retaining	2
2333-1	Service Manual	1
2770	Bulletin - Pocket Bearing Lube Inst.	1
2783	Bulletin - Mainshaft Nuts	1
2747	Bulletin - Control Piping Diagram	1
312475-25X	Gasket Kit	1
313024-24X	Snap Ring Kit	1
313429-21X	Shifter Housing Repair Kit (Included in both Major Overhaul Kits)	1
50-80-5	Ball - Shift Rod Poppet	2
71-24-14	Bushing	2
70-12-1	Interlock (for AMO/ATO1000-4 & 1241)	1
52-12-3	Interlock (for APO1000-4 & P1241)	1
274-SP	Pin - Case/Shifter Housing Dowel	2
59-3	Plug - Shift Rod Poppet	2
71-459-1	Plunger - Shift Rod Poppet	2
85-438-1	Poppet - Shift Rod	2
61-463-4	Seal - Shift Rod Oil	2
72-203-5	Sleeve - Overdrive Lockout (.656" long)	1
70-203-2	Sleeve - 2nd Speed stop (5.875" long)	1
71-72-1	Spring - Shift Rod Poppet (used for Manual Shift only)	2
97-72-4	Spring - Shift Rod Poppet Ball	2
312475-25X	Gasket Kit - (Included in both Minor Overhaul Kits)	1
97-324-1-1X	Gasket - (6) Bolt PTO (contains 97-324-1 Gasket & Inst. tag)	1
97-324-2-1X	Gasket - (8) Bolt PTO (contains 97-324-2 Gasket & Inst. tag)	1
98-155-1	Gasket - Adapter Plate to Transmission Case	1
98-223-5	Gasket - Countershaft Front Bearing Cap	2
98-223-4	Gasket - Countershaft Rear Bearing Cap	2
70-223-14	Gasket - Drive Gear Bearing Cap	1
98-223-1	Gasket - Drive Gear Bearing Retainer	1
98-223-2	Gasket - Mainshaft Rear Bearing Cap	1
70-155-4	Gasket - Shifter Housing or Top Mount PTO	1

MODEL AMO/APO1000-4

Basic Overhaul Kits



T210-AMO1000-4

Part Number	Part Description	Qty.
313024-24X	Snap Ring Kit - (Included in both Minor Overhaul Kits)	1
97-381-30	Ring - Countershaft Front Bearing Retaining	2
98-381-6	Ring - Input Shaft External (used for (2)pc. Drive Gear only)	1
97-381-32	Ring - Drive Gear Internal (used for (2)pc. Drive Gear only)	1
98-381-2	Ring - Mainshaft Internal (large)	3
98-381-1	Ring - Mainshaft External (large)	3
97-381-6	Ring - Speedometer Drive Gear	1
KITS NOT INCLUDED IN MAJOR OR MINOR OVERHAUL KITS		
313097X	"O" Ring Kit - (To Service Air Shifter Housing)	1
70-24-2	Bushing - Piston Rod	2
500166-8	Plug - Welch	1
80-381-7	Ring - Cylinder Snap	6
70-463-1	Ring - End Cap "O"	2
70-463-7	Ring - Internal Piston "O"	4
70-381-9	Ring - Internal Piston Snap	2
70-463-3	Ring - Outer Piston "O"	4
70-463-6	Ring - Piston Rod Bushing "O" (internal)	2
70-463-4	Ring - Piston "O"	2
97-463-7	Ring - Splitter or Range Valve Housing "O"	2
330895	Lubricant - "O" Ring	1
2718	Bulletin - Installation Instructions	1
2726	Bulletin - "O" Ring Repair	1
312475-26X	Gasket Kit - (To Service Units with Top Mounted PTO's)	1
97-324-1-1X	Gasket - (6) Bolt PTO (includes 97-324-1 Gasket & Inst. tag)	1
97-324-2-1X	Gasket - (8) Bolt PTO (includes 97-324-2 Gasket & Inst. tag)	1
98-155-2	Gasket - Adapter Plate to PTO Case	1
98-155-1	Gasket - Adapter Plate to Transmission Case	1
98-223-5	Gasket - Countershaft Front Bearing Cap	2
98-223-4	Gasket - Countershaft Rear Bearing Cap	2
70-223-14	Gasket - Drive Gear Bearing Cap	1
98-223-1	Gasket - Drive Gear Bearing Retainer	1
98-223-2	Gasket - Mainshaft Rear Bearing Cap	1
70-223-26	Gasket - Output Shaft Front & Rear Bearing Cap	2
70-223-24	Gasket - Output Shaft Rear Bearing Cap	1
70-223-25	Gasket - PTO Oil Pump Mounting	1
70-223-23	Gasket - Reverse Shaft Front & Rear Bearing Cap	1

PARTS LISTED IN THIS CATALOG MAY NO LONGER BE AVAILABLE, USE WITH TRANSMISSION SUPERSEDING LIST.

MODEL AMO/APO1000-4

Basic Overhaul Kits



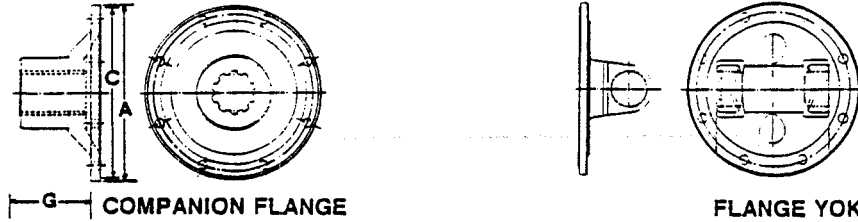
T210-AMO1000-4

Part Number	Part Description	Qty.
KIT NOT INCLUDED IN MAJOR OR MINOR OVERHAUL KITS		
312477-32X	Small Parts Kit - (used to Service Units with Top Mounted PTO's)	1
50-80-1	Ball - Shift Rod Poppet	3
70-12-1	Interlock	1
98-210-2	Key - Countershaft Gear	2
425-SP	Pin - Output Drive Gear Sleeve (PTO)	1
97-381-30	Snap Ring - Countershaft Front Bearing Retaining	2
98-381-2	Snap Ring - Mainshaft Internal	3
98-381-1	Snap Ring - Mainshaft External	3
98-381-3	Snap Ring - Output Drive Gear (PTO)	1
70-381-5	Snap Ring - Reverse Gear Shaft	2
97-381-6	Snap Ring - Speedometer Drive Gear	1
747-D	Screw - Countershaft Front Bearing Retainer Washer	4
61-463-4	Oil Seal - Output Gear Shift Rod (PTO)	4
22-72-5	Spring - Poppet Output Gear Shift Rod (PTO)	1
22-72-2	Spring - Shift Rod Poppet	2
636-W	Washer - Countershaft Front Bearing Retainer	2
330869	Washer - Mainshaft Internal Thrust (18T) (large)	3
330810	Washer - Mainshaft External Thrust (24T)	3
Bearing Kits for Top Mount PTO Assemblies		
312476-18X	Cup and Cone Style Bearing Kit	1
550913	Bearing Cup - Intermediate Gear Front	1
550912	Bearing Cone - Intermediate Gear Front	1
550228	Bearing Cup - Intermediate Gear Rear	1
550183	Bearing Cone - Intermediate Gear Rear	1
550449	Bearing Cup - Output Shaft Front and Rear	2
550448	Bearing Cone - Output Shaft Front and Rear	2
550447	Bearing Cup - Reverse Shaft Front and Rear	2
550446	Bearing Cone - Reverse Shaft Front and Rear	2
545077	Packet - #2 Moly Grease	1
2770	Bulletin - Pocket Bearing Lube Inst.	1
312476-22X	Cylindrical Roller Style Bearing Kit	1
550912	Bearing Cone - Intermediate Gear Front	1
550913	Bearing Cup - Intermediate Gear Front	1
550183	Bearing Cone - Intermediate Gear Rear	1
550228	Bearing Cup - Intermediate Gear Rear	1
550940	Bearing - Output Shaft Front and Rear	2
550941	Bearing - Reverse Shaft Front and Rear	2

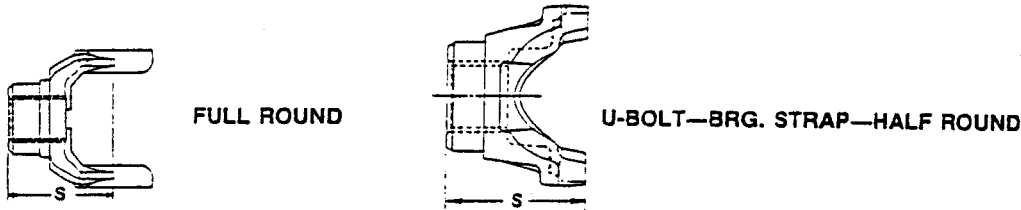
MODEL AMO/APO1000-4

COMPANION FLANGES AND FLANGE YOKES

T210-AMO1000-4



Joint Series	A Flange Diameter	Companion Flange Sub-Assy.	Consists of		G End of Hub To Flange Face Length	C Pilot Dia. F-Female M-Male	Used with	
			Companion Flange	Slinger			Flange Yoke	Flange Yoke 1650 Series
Front of 1241 and P1241.....2.223" -6T Spline								
1710	8.0"	6-1-138X	6-1-1731	829-W	3.750"	F-7 3/4"	6-2-749	5-2-809
1810	8.0"	6.5-1-68X	6.5-1-481	829-W	3.750"	F-7 3/4"	6.5-2-329	-
Front of AMO/APO1000-4 & 1241/P1241.....2.594" -20T Spline								
1710	8.0"	6-1-5691X	6-1-4881	231745	3.000"	F-7 3/4"	-	-
1810	8.0"	6.5-1-2501X	6.5-1-1991	231745	3.000"	F-7 3/4"	-	-
Rear of AMO/APO1000-4 & 1241/P1241.....2.747" -10T Spline								
1810	8.0"	-	6.5-1-1871	-	3.750"	F-7 3/4"	6.5-2-329	-



Joint Series	End Yoke Sub-Assy.	Consists of		S End of Hub to Center Line Length	Momentary Joint Angle
		Yoke	Slinger		
Front of 1241 & P1241.....2.223" -6T Spline					
1710	6-4-3041X	6-4-3031	829-W	5 5/16"	22 deg.
1710	6-4-3041-1X	6-4-3041-1	829-W	5 35/64"	22 deg.
1760	6.3-4-171X	6.3-4-51	829-W	6"	30 deg.
1810	6.5-4-2271X	6.5-4-1971	829-W	6"	30 deg.
1810	6.5-4-2271-1X	6.5-4-2271-1	829-W	6"	30 deg.
Front of AMO/APO1000-4.....2.632" -20T Spline					
1710	6-4-7071X	6-4-5351	231745	5 3/16"	21 deg.
1710	6-4-7071-1X	6-4-5351-1	231745	5 3/16"	21 deg.
1760	6.3-4-871X	6.3-4-41	231745	5 9/16"	30 deg.
1760	6.3-4-871-1X	6.3-4-41-1	231745	5 9/16"	30 deg.
1810	6.5-4-3541X	6.5-4-3021	231745	5 9/16"	30 deg.
1810	6.5-4-3541-1X	6.5-4-3021-1	231745	5 9/16"	30 deg.
Rear of AMO/APO1000-4 & 1241/P1241.....2.749" -10T Spline					
1710	-	6-4-4651	-	5 5/16"	20 deg.
1710	-	6-4-4651-1	-	5 5/16"	20 deg.
1760	-	6.3-4-61	-	6"	30 deg.
1760	-	6.3-4-61-1	-	6"	30 deg.
1810	-	6.5-4-2171	-	6"	30 deg.
1810	-	6.5-4-2171-1	-	6"	30 deg.

PARTS LISTED IN THIS CATALOG MAY NO LONGER BE AVAILABLE, USE WITH TRANSMISSION SUPERSEDING LIST.

MODEL AMO1000-4



Manual Shift

Tabulated Bills of Material

T210-AMO1000-4

Tab No.	Used By	Trunnion	Flange or Yoke		Speedometer		Shifter Housing Assembly Page 10-11	Top Mounted PTO
			Front	Rear	Drive Gear	Driven Gear		
301474 - Model AMO1000-4C								
-1	Freightliner	-	-	-	-	-	70-16-10-11X	-
+2	Navistar	-	-	-	-	-	70-16-10-11X	-
s-3	Service	-	-	-	-	-	-	-
+s-4	Peterbilt	-	6-4-7071X	-	-	-	-	-
-5	Mack	-	-	-	98-452-1	98-453-1	70-16-10-11X	-
+6	Navistar	-	-	-	-	-	-	313254-2X
-7	Can. Kenworth	-	6.5-4-3541X	6.5-4-2171	98-452-1	98-453-1	-	313254-3X
-8	Mack	-	-	-	98-452-1	98-453-1	-	313254-4X
+9	Navistar	-	-	-	-	-	70-16-10-11X	-
-10	Mack	-	-	-	98-452-1	98-453-1	-	313254-2X
+11	Freightliner	-	-	-	98-452-2	-	70-16-10-11X	-
+12	Kenworth	-	6-4-7071X	6-4-4651	98-452-2	-	70-16-10-11X	-
+13	Peterbilt	-	6-4-7071X	-	-	-	70-16-10-11X	-
+14	Kenworth	-	6-4-7071X	6-4-4651	98-452-2	-	-	313254-3X
+15	Volvo GM	-	-	-	-	-	70-16-10-11X	-
+16	Navistar	-	-	-	-	-	70-16-10-11X	-
+17	Peterbilt	-	6-4-7071-1X	-	-	-	70-16-10-11X	-
+18	Peterbilt	-	6-4-7071-1X	-	-	-	-	313254-6X
-19	Volvo GM	-	-	-	98-452-1	98-453-1	70-16-10-11X	-
+20	Freightliner	-	-	-	98-452-2	-	-	313254-2X
+21	Kenworth	-	6-4-7071-1X	6-4-4651-1	98-452-2	-	70-16-10-11X	-
+22	Kenworth	-	6-4-7071-1X	6-4-4651-1	98-452-2	-	-	313254-3X
+23	Kenworth	-	6-4-7071-1X	6-4-4651-1	98-452-2	-	-	313254-1X
-24	Volvo GM	-	-	-	98-452-1	98-453-1	-	313254-2X
-25	Volvo GM	-	-	-	98-452-1	98-453-1	-	313254-4X
-26	Marmon Motor	70-410-2	6.5-4-3541X	6.5-4-2171	98-452-1	98-453-1	70-16-10-11X	-
-27	Marmon Motor	70-410-2	6.5-4-3541X	6.5-4-2171	98-452-1	98-453-1	-	313254-3X
+28	Western Star	-	-	-	98-452-2	-	70-16-10-11X	-
+29	Freightliner	-	-	-	98-452-2	-	-	313254-4X
-30	Ford	-	-	-	98-452-1	98-453-1	-	313254-2X
-31	Spicer Australia	70-410-2	6-4-7071X	6.5-4-2171	98-452-1	98-453-1	70-16-10-11X	-
-32	Can. Kenworth	-	6-4-7071X	6-4-4651	98-452-1	98-453-1	-	313254-3X
-33	Pacific Truck	-	6.5-1-2501X	6.5-1-1871	98-452-1	98-453-1	-	313254-3X
-34	Peterbilt	-	6-4-7071X	6-4-4651	98-452-1	98-453-1	-	313254-6X
-35	Osterlund	70-410-2	6.5-4-3541X	6.5-4-2171	-	-	-	313254-1X

s - Short Box

+ - Unit has Electronic Speedo Mainshaft Rear Bearing Cap

PARTS LISTED IN THIS CATALOG MAY NO LONGER BE AVAILABLE, USE WITH TRANSMISSION SUPERSEDING LIST.

MODEL AMO1000-4

Manual Shift



T210-AMO1000-4

Tabulated Bills of Material

Tab No.	Used By	Trunnion	Flange or Yoke		Speedometer		Shifter Housing Assembly Page 10-11	Top Mounted PTO
			Front	Rear	Drive Gear	Driven Gear		

301474 - Model AMO1000-4C (Cont'd)

+36	Navistar	-	-	-	-	-	-	313254-2X
-37	Spicer Australia	70-410-2	-	-	98-452-1	98-453-1	-	313254-6X
-38	Kenworth	-	6-4-7071X	6-4-4651	98-452-1	98-453-1	70-16-10-11X	-
-39	Can. Kenworth	-	6-4-7071X	6-4-4651	98-452-1	98-453-1	-	-
-40	DWT	70-410-2	6.5-1-2501X	-	98-452-1	98-453-1	70-16-10-11X	-
-41	Volvo GM	-	-	-	-	-	-	313254-3X
-42	Peterbilt	-	6-4-7071X	6-4-4651	98-452-1	98-453-1	70-16-10-11X	-
-43	Pacific Truck	-	6.5-4-3541X	6.5-4-2171	98-452-1	98-453-1	-	313254-3X
-44	Pacific Truck	-	6.5-4-3541X	6.5-4-2171	98-452-1	98-453-1	70-16-10-11X	-
+45	Mack	-	-	-	98-452-2	-	-	313254-3X
#-46	Marmon Motor	70-410-2	6.5-4-3541X	6.5-4-2171	98-452-1	98-453-1	70-16-10-12X	-
-47	Marmon Motor	70-410-2	6-4-7071X	6-4-4651	98-452-1	98-453-1	-	313254-3X
-48	Volvo GM	-	-	-	98-452-1	98-453-1	-	313254-3X
-49	Volvo GM	-	-	-	98-452-1	98-453-1	70-16-10-11X	-
+50	Kenworth Mex.	-	6.5-4-3541X	6.5-4-2171	98-452-2	-	70-16-10-11X	-
+51	Kenworth Mex.	-	6.5-4-3541X	6.5-4-2171	98-452-2	-	-	313254-3X
-52	Mack	70-410-2	-	-	98-452-1	98-453-1	-	313254-3X
**53	Amer. Hoist	70-410-2	-	6.5-1-1871	98-452-1	98-453-1	70-16-40-14X	-
+54	Crawford MS&f	70-410-2	6-4-7071X	6-4-4651	98-452-2	-	-	313254-3X
-55	Navistar	-	-	-	-	-	-	313254-3X
-56	Peterbilt	-	6-4-7071-1X	-	-	-	-	313254-7X
^57	Peterbilt	-	6-4-7071X	6-4-4651	98-452-1	98-453-1	70-16-10-11X	-

301475- Model AMO1000-4D

-1	Freightliner	-	-	-	-	-	70-16-10-11X	-
-2	Kenworth	-	6-4-7071X	6-4-4651	98-452-1	98-453-1	70-16-10-11X	-
s-3	Service	-	-	-	-	-	-	-
s+-4	Peterbilt	-	6-4-7071X	-	-	-	-	-
-5	Western Star	-	-	-	98-452-1	98-453-1	70-16-10-11X	-
+6	Kenworth	-	6-4-7071X	6-4-4651	98-452-2	-	70-16-10-11X	-
+7	Peterbilt	-	6-4-7071X	-	-	-	70-16-10-11X	-
+8	Navistar	-	6-4-7071X	-	-	-	70-16-10-11X	-
+9	Peterbilt	-	6-4-7071-1X	-	-	-	70-16-10-11X	-
+10	Peterbilt	-	6-4-7071-1X	-	-	-	-	313254-6X

s - Short Box

^ - Unit has a 313292-1X Oil Cooler Pump Kit

+ - Unit has Electronic Speedo Mainshaft Rear Bearing Cap

- Unit has Overdrive blocked out.

** - Unit has 1st speed and Overdrive blocked out.

PARTS LISTED IN THIS CATALOG MAY NO LONGER BE AVAILABLE, USE WITH TRANSMISSION SUPERSEDING LIST.

MODEL AMO1000-4

Manual Shift

Tabulated Bills of Material

T210-AMO1000-4



Tab No.	Used By	Trunnion	Flange or Yoke		Speedometer		Shifter Housing Assembly Page 10-11	Top Mounted PTO
			Front	Rear	Drive Gear	Driven Gear		
301475 - Model AMO1000-4D (Cont'd)								
+11	Kenworth	-	6-4-7071-1X	6-4-4651-1	98-452-2	-	70-16-10-11X	-
+12	Kenworth	-	6-4-7071-1X	6-4-4651-1	98-452-2	-	-	313254-3X
+13	Freightliner	-	-	-	98-452-2	-	70-16-10-11X	-
-14	Volvo GM	-	-	-	98-452-1	98-453-1	-	313254-2X
-15	Volvo GM	-	-	-	98-452-1	98-453-1	-	313254-4X
-16	Volvo GM	-	-	-	98-452-1	98-453-1	70-16-10-11X	-
+17	Kenworth	-	6-4-7071-1X	6-4-4651-1	98-452-2	-	70-16-10-11X	-
-18	Western Star	-	-	-	98-452-1	98-453-1	-	313254-3X
-19	Western Star	-	-	-	98-452-1	98-453-1	-	313254-1X
+20	Navistar	-	-	-	-	-	70-16-10-11X	-
+21	Kenworth	-	6.3-4-871-1X	6.3-4-61-1	98-452-2	-	70-16-10-11X	-
+22	Western Star	-	-	-	98-452-2	-	70-16-10-11X	-
-23	Marmon Motor	70-410-2	6.5-4-3541X	6.5-4-2171	98-452-1	98-453-1	70-16-10-11X	-
+0-24	Kenworth	-	6-4-7071X	6-4-4651	98-452-2	-	70-16-10-13X	-
-25	Volvo GM	-	-	-	98-452-1	98-453-1	70-16-10-11X	-
+26	Volvo GM	-	-	-	-	-	70-16-10-11X	-
-27	Pacific Truck	-	6.5-1-2501X	6.5-1-1871	98-452-1	98-453-1	-	313254-3X
-28	Pacific Truck	-	6.5-4-3541-1	6.5-4-2171-1	98-452-1	98-453-1	70-16-10-11X	-
-29	Peterbilt	-	6-4-7071X	6-4-4651	98-452-1	98-453-1	70-16-10-11X	-
+30	Navistar	-	-	-	-	-	70-16-10-11X	-
-31	Spicer Australia	70-410-2	6-4-7071X	6.5-4-2171	98-452-1	98-453-1	70-16-10-11X	-
+32	Kenworth	-	6-4-7071-1X	6-4-4651-1	98-452-2	-	-	313254-1X

s - Short Box

+ - Unit has Electronic Speedo Mainshaft Rear Bearing Cap

o - Unit has 1st speed blocked out.

MODEL APO1000-4

Manual Shift



T210-AMO1000-4

Tabulated Bills of Material

Tab No.	Used By	Trunnion	Flange or Yoke		Speedometer		Shifter Housing Air-Matic Page 14-15	Power Control
			Front	Rear	Drive Gear	Driven Gear		
301476 - Model APO1000-4C								
-1	Freightliner	-	-	-	-	-	70-16-14-2X	313127X
-2	Western Star	-	-	-	98-452-1	98-453-1	70-16-14-2X	313127X
+3	Peterbilt	-	6-4-7071-1X	-	-	-	70-16-14-2X	313127X
+4	Freightliner	-	-	-	98-452-2	-	70-16-14-2X	313127X
+5	DSD	70-410-2	6.5-4-3541-1	6.5-4-2171-1	98-452-2	-	70-16-14-2X	-
-6	Spicer Australia	70-410-2	6.5-4-3541X	6.5-4-2171	98-452-1	98-453-1	70-16-14-2X	313127X
-7	Marmon Motor	70-410-2	6-4-7071X	6-4-4651	98-452-1	98-453-1	70-16-14-2X	313127X
-8	Kenworth	-	6-4-7071X	6-4-4651	98-452-1	98-453-1	70-16-14-2X	313127-3X
-9	Volvo GM	-	-	-	98-452-1	98-453-1	70-16-14-2X	313127X
+10	Volvo GM	-	-	-	98-452-2	-	70-16-14-2X	313127X
+11	Navistar	-	-	-	-	-	70-16-14-2X	313127X
+12	Western Star	-	-	-	98-452-2	-	70-16-14-2X	313127X
-13	Western Star	-	-	-	98-452-1	98-453-1	70-16-14-2X	313127X
-14	Pacific Truck	-	6.5-1-2501X	6.5-1-1871	98-452-1	98-453-1	70-16-14-2X	313127X
+15	Ford	-	-	6.5-4-2171	98-452-2	-	70-16-14-2X	313127-1X
+16	Navistar	-	-	-	-	-	70-16-14-2X	313127X
+17	Kenworth	-	6-4-7071-1X	6-4-4651-1	98-452-2	-	70-16-14-2X	313127-3X
-18	Walker-Neer	70-410-2	6-4-7071X	6-4-4651	-	-	70-16-14-2X	313127X
#-19	Mack	-	-	-	98-452-1	98-453-1	70-16-14-2X	313127-1X
-20	Mack	-	-	-	98-452-1	98-453-1	70-16-14-2X	313127-1X
+21	Crawford MS&F	70-410-2	6-4-7071X	6-4-4651	98-452-2	-	70-16-14-2X	313127X
301477 - Model APO1000-4D								
-1	Freightliner	-	-	-	-	-	70-16-14-2X	313127X
+2	Peterbilt	-	6-4-7071-1X	-	-	-	70-16-14-2X	313127X
+3	Freightliner	-	-	-	98-452-2	-	70-16-14-2X	313127X
+4	Service	-	6-4-7071X	-	-	-	70-16-14-2X	313127X
-5	Mack	-	-	-	98-452-1	98-453-1	70-16-14-2X	313127-1X
^-6	Peterbilt	-	6-4-7071X	6-4-4651	98-452-1	98-453-1	70-16-14-2X	313127X
+7	Navistar	-	-	-	-	-	70-16-14-2X	313127X
-8	Western Star	-	-	-	98-452-1	98-453-1	70-16-14-2X	313127X
+9	Western Star	-	-	-	98-452-2	-	70-16-14-2X	313127X
-10	Volvo GM	-	-	-	98-452-1	98-453-1	70-16-14-2X	313127X
-11	Peterbilt	-	6-4-7071X	6-4-4651	98-452-1	98-453-1	70-16-14-2X	313127X
+12	Volvo GM	-	-	-	98-452-2	-	70-16-14-2X	313127X
<-13	Spicer U.K.	-	6.5-1-2501X	6.5-1-1871	98-452-1	98-453-1	70-16-14-2X	313127X
-14	Spicer Australia	70-410-2	6.5-4-3541X	6.5-4-2171	98-452-1	98-453-1	70-16-14-2X	313127X
+15	Kenworth	-	6-4-7071-1X	6-4-4651-1	98-452-2	-	70-16-14-2X	313127-3X
-16	Spicer U.K.	-	6.5-1-2501X	-	98-452-1	98-453-1	70-16-14-2X	313127X
+17	Kenworth	-	6-4-7071X	6-4-4651	98-452-2	-	70-16-14-2X	313127-3X

+ - Unit has Electronic Speedo Mainshaft Rear Bearing Cap

- Unit has Overdrive blocked out.

^- Unit has Oil Cooler Pump Kit 313292-1X

<- Unit has Oil Cooler & Pump Kit 313231-8X

PARTS LISTED IN THIS CATALOG MAY NO LONGER BE AVAILABLE, USE WITH TRANSMISSION SUPERSEDING LIST.

MODEL 1241

Manual Shift

Tabulated Bills of Material

T210-AMO1000-4



Tab No.	Used By	Trunnion	Flange or Yoke		Speedometer		Shifter Housing Assembly Page 10-11	Top Mounted PTO
			Front	Rear	Drive Gear	Driven Gear		
301393 - Model 1241-C								
-1	Freightliner	-	-	-	-	-	70-16-10-11X	-
-2	Kenworth	-	6-4-7071X	6-4-4651	98-452-1	98-453-1	70-16-10-11X	-
-3	Pacific Truck	-	6.5-1-2501X	6.5-1-1871	98-452-1	98-453-1	70-16-10-11X	-
-4	Navistar	-	-	-	-	-	70-16-10-11X	-
-5	Volvo White	-	6-4-7071X	6.5-4-2171	98-452-1	98-453-1	70-16-10-11X	-
-6	Mack	-	-	-	98-452-1	98-453-1	70-16-10-11X	-
+7	Navistar	-	-	-	-	-	-	313254-2X
-8	Can. Kenworth	-	6.5-4-3541X	6.5-4-2171	98-452-1	98-453-1	-	313254-3X
-9	Volvo White	-	6-4-7071X	6-4-4651	98-452-1	98-453-1	-	313254-3X
-10	FWD Corp.	-	-	-	98-452-1	98-453-1	-	313254-3X
-11	Amer. Hoist	-	-	6.5-1-1871	98-452-1	98-453-1	70-16-10-11X	-
-12	Crane Carrier	-	-	-	98-452-1	98-453-1	70-16-10-11X	-
-13	Peterbilt	-	6-4-7071X	6-4-4651	98-452-1	98-453-1	70-16-10-11X	-
-14	Kenworth Mex.	-	6-4-7071X	6-4-4651	98-452-1	98-453-1	70-16-10-11X	-
-15	Volvo White	-	6-4-7071X	6.5-4-2171	98-452-1	98-453-1	-	313254-3X
-16	Volvo White	-	6-1-5691X	6.5-4-2171	98-452-1	98-453-1	-	313254-3X
-17	Mack	-	-	-	98-452-1	98-453-1	-	313254-3X
-18	Navistar	-	-	-	-	-	70-16-10-11X	-
-19	Peterbilt	-	6-4-7071X	6-4-4651	98-452-1	98-453-1	-	313254-6X
-20	General Use	70-410-2	6.5-1-2501X	6.5-1-1871	98-452-1	98-453-1	70-16-10-11X	-
-21	Custombilt Trks.	-	6-1-5691X	6.5-1-1871	-	-	70-16-10-11X	-
-22	Volvo White	-	-	-	98-452-1	98-453-1	-	313254-1X
-23	Volvo White	-	-	-	98-452-1	98-453-1	-	313254-3X
-24	GMC	-	-	-	98-452-1	98-453-1	70-16-10-11X	-
-25	Mack	70-410-2	-	-	98-452-1	98-453-1	-	313254-3X
-26	Mack	-	-	-	98-452-1	98-453-1	-	313254-1X
^^-27	Boler Invest.	70-410-2	6-4-7071X	6.5-1-1871	98-452-1	98-453-1	70-16-10-11X	-
-28	Service	-	6.5-1-2501X	6.5-4-2171	98-452-1	98-453-1	70-16-10-11X	-
-29	Peterbilt	-	6-4-7071X	6-4-4651	98-452-1	98-453-1	-	313254-7X
-30	Volvo White	-	-	-	98-452-1	98-453-1	70-16-10-11X	-
-31	Can. Kenworth	-	6-4-7071X	6-4-4651	98-452-1	98-453-1	-	313254-3X
s-32	Service	-	-	-	-	-	-	-
+33	Navistar	-	-	-	-	-	-	313254-2X
-34	Mack	-	6.5-4-3541X	6.5-4-2171	98-452-1	98-453-1	70-16-10-11X	-
-35	Mack	-	6.5-4-3541X	6.5-4-2171	98-452-1	98-453-1	-	313254-4X

+ - Unit has Electronic Speedo Mainshaft Rear Bearing Cap

^^ - Unit has Oil Cooler & Pump Kit 313231-10X

PARTS LISTED IN THIS CATALOG MAY NO LONGER BE AVAILABLE, USE WITH TRANSMISSION SUPERSEDING LIST.

MODEL 1241

Manual Shift



T210-AMO1000-4

Tabulated Bills of Material

Tab No.	Used By	Trunnion	Flange or Yoke		Speedometer		Shifter Housing Assembly Page 10-11	Top Mounted PTO
			Front	Rear	Drive Gear	Driven Gear		
301393 - Model 1241-C (Cont'd)								
-36	Pacific Truck	-	6.5-1-2501X	6.5-1-1871	98-452-1	98-453-1	-	313254-3X
-37	Mack	-	6-4-7071X	6-4-4651	98-452-1	98-453-1	70-16-10-11X	-
-38	Little Giant	70-410-2	6-4-7071X	6.5-4-2171	98-452-1	98-453-1	-	313254-7X
-39	Ford	-	-	6.5-4-2171	98-452-1	98-453-1	70-16-10-1X	-
-40	GMC	-	-	-	98-452-1	98-453-1	-	313254-3X
-41	Mack	-	6-4-7071X	6-4-4651	98-452-1	98-453-1	-	313254-4X
-42	Freightliner	-	-	-	-	-	-	313254-3X
-43	Service	-	6-1-5691X	6-1-4591	98-452-1	98-453-1	-	313254-3X
-44	Famsa-Mex.	-	6.5-4-3541X	6.5-4-2171	98-452-1	98-453-1	-	313254-3X
-45	Wich-Tex	-	-	-	-	-	-	313254-1X
-46	Spicer Australia	70-410-2	6-4-7071X	6.5-4-2171	98-452-1	98-453-1	70-16-10-11X	-
-47	DWT	70-410-2	6.5-1-2501X	8-1-491	98-452-1	98-453-1	70-16-10-11X	-
-48	Spicer Australia	70-410-2	-	-	98-452-1	98-453-1	-	313254-6X
-49	Marmon Motor	70-410-2	6.5-4-3541X	6.5-4-2171	98-452-1	98-453-1	70-16-10-11X	-
-50	Marmon Motor	70-410-2	6.5-4-3541X	6.5-4-2171	98-452-1	98-453-1	-	313254-3X
-51	Mack	-	6.5-4-3541X	6.5-4-2171	98-452-1	98-453-1	-	313254-1X
-52	General Use	70-410-2	6.5-4-3541X	6.5-4-2171	98-452-1	98-453-1	-	313254-1X
+53	Volvo White	-	-	-	-	-	-	313254-3X
-54	Kenworth Mex.	-	6-4-7071X	6-4-4651	98-452-1	98-453-1	-	313254-3X
-55	Oshkosh Truck	-	-	-	98-452-1	98-453-1	-	313254-1X
-56	Famsa-Mex.	-	6.5-4-3541X	6.5-4-2171	98-452-1	98-453-1	-	313254-1X
^57	Peterbilt	-	6-4-7071X	6-4-4651	98-452-1	98-453-1	70-16-10-11X	-
-58	Can. Kenworth	-	6-4-7071X	6-4-4651	98-452-1	98-453-1	-	-
^59	Peterbilt	-	6-4-7071X	6-4-4651	98-452-1	98-453-1	-	313254-1X
-60	Mack	-	6.5-4-3541X	6.5-4-2171	98-452-1	98-453-1	-	313254-2X
-61	Osterlund	70-410-2	6.5-4-3541X	6.5-4-2171	-	-	-	313254-1X
-62	Crane Carrier	70-410-2	-	-	98-452-1	98-453-1	-	313254-1X
-63	GMC	-	-	-	98-452-1	98-453-1	-	313254-1X
+64	Freightliner	-	-	-	98-452-2	-	70-16-10-11X	-
+65	Freightliner	-	-	-	98-452-2	-	-	313254-4X
+66	Kenworth	-	6-4-7071X	6-4-4651	98-452-2	-	70-16-10-11X	-
-67	Volvo White	-	-	-	98-452-1	98-453-1	70-16-10-11X	-
-68	Volvo White	-	-	-	98-452-1	98-453-1	70-16-10-11X	-
#69	Volvo White	-	-	-	98-452-1	98-453-1	70-16-10-12X	-
#70	Volvo White	-	-	-	98-452-1	98-453-1	70-16-10-12X	-

+ - Unit has Electronic Speedo Mainshaft Rear Bearing Cap

^ - Unit has an Oil Cooler Pump Kit 313292-1X

- Unit has Overdrive blocked out.

PARTS LISTED IN THIS CATALOG MAY NO LONGER BE AVAILABLE, USE WITH TRANSMISSION SUPERSEDING LIST.



MODEL 1241 Manual Shift

Tabulated Bills of Material

T210-AMO1000-4

Tab No.	Used By	Trunnion	Flange or Yoke		Speedometer		Shifter Housing Assembly Page 10-11	Top Mounted PTO
			Front	Rear	Drive Gear	Driven Gear		
301393 - Model 1241-C (Cont'd)								
-71	Volvo White	-	-	-	98-452-1	98-453-1	-	313254-4X
-72	Volvo White	-	-	-	98-452-1	98-453-1	-	313254-2X
-73	Volvo White	-	-	-	98-452-1	98-453-1	-	313254-4X
-74	Volvo White	-	-	-	98-452-1	98-453-1	-	313254-2X
-75	Volvo White	-	-	-	98-452-1	98-453-1	-	313254-8X
#-76	Volvo White	-	-	-	98-452-1	98-453-1	-	313254-8X
+77	Peterbilt	-	6-4-7071X	-	-	-	70-16-10-11X	-
+78	Peterbilt	-	6-4-7071X	-	-	-	-	313254-6X
+79	Peterbilt	-	6-4-7071X	-	-	-	-	313254-7X
^80	Peterbilt	-	6-4-7071X	-	-	-	70-16-10-11X	-
^81	Peterbilt	-	6-4-7071X	-	-	-	-	313254-6X
^82	Peterbilt	-	6-4-7071X	-	-	-	-	313254-7X
+83	Kenworth	-	6-4-7071X	6-4-4651	98-452-2	-	-	313254-3X
-84	Oshkosh Truck	-	-	-	98-452-1	98-453-1	-	313254-3X
+85	Freightliner	-	-	-	98-452-2	-	-	313254-2X
-86	GMC	-	-	-	98-452-1	98-453-1	-	313254-3X
#87	Marmon Motor	70-410-2	6.5-4-3541X	6.5-4-2171	98-452-1	98-453-1	70-16-10-12X	-
-88	Marmon Motor	70-410-2	6-4-7071X	6-4-4651	98-452-1	98-453-1	-	313254-3X
-89	Ford	-	-	6.5-4-2171	98-452-1	98-453-1	-	313254-1X
-90	Ford	-	-	6.5-4-2171	98-452-1	98-453-1	-	313254-3X
-91	Peterbilt	-	-	6-4-4651	-	-	-	313483-1X
-92	Osterlund	-	6.5-1-2501X	6.5-4-2171	98-452-1	98-453-1	-	313254-2X
+93	Service	-	-	-	-	-	70-16-10-11X	-
*94	Ford	-	-	6.5-4-2171	-	-	-	313254-9X
+95	Volvo White	-	-	-	-	-	70-16-10-11X	-
+96	Volvo White	-	-	-	-	-	-	313254-1X
+97	Volvo White	-	-	-	-	-	70-16-10-11X	-
+98	Volvo White	-	-	-	-	-	70-16-10-11X	-
+99	Volvo White	-	-	-	-	-	70-16-10-11X	-
#+-100	Volvo White	-	-	-	-	-	70-16-10-12X	-
#+-101	Peterbilt	-	6-4-7071X	-	-	-	70-16-10-12X	-
-102	Mack	-	-	-	98-452-1	98-453-1	-	313254-4X
-103	Mack	-	-	-	98-452-1	98-453-1	-	313254-2X
+104	Navistar	-	-	-	-	-	70-16-10-11X	-
-105	Pacific Truck	-	6.5-4-3541X	6.5-4-2171	98-452-1	98-453-1	-	313254-3X

+ - Unit has Electronic Speedo Mainshaft Rear Bearing Cap.

^ - Unit has an Oil Cooler Pump Kit 313292-1X

- Unit has Overdrive blocked out.

* - Unit is externally locked in Direct Drive

PARTS LISTED IN THIS CATALOG MAY NO LONGER BE AVAILABLE, USE WITH TRANSMISSION SUPERSEDING LIST.

MODEL 1241

Manual Shift



T210-AMO1000-4

Tabulated Bills of Material

Tab No.	Used By	Trunnion	Flange or Yoke		Speedometer		Shifter Housing Assembly Page 10-11	Top Mounted PTO
			Front	Rear	Drive Gear	Driven Gear		
301393 - Model 1241-C (Cont'd)								
-106	Pacific Truck	-	6.5-4-3541X	6.5-4-2171	98-452-1	98-453-1	70-16-10-11X	-
-107	Zeligson Co.	-	6-1-5691X	6-1-4591	-	-	70-16-10-11X	-
-108	Spicer Australia	70-410-2	6.5-4-3541X	6.5-4-2171	98-452-1	98-453-1	70-16-10-11X	-
+109	Ford	-	-	6.5-4-2171	98-452-2	-	-	313254-1X
+110	Ford	-	-	6.5-4-2171	98-452-2	-	-	313254-3X
+111	Ford	-	-	6.5-4-2171	98-452-2	-	70-16-10-11X	-
-112	Marmon Motor	70-410-2	6-4-7071X	6-4-4651	98-452-1	98-453-1	70-16-10-11X	-
+113	Peterbilt	-	6-4-7071-1X	-	-	-	70-16-10-11X	-
+114	Peterbilt	-	6-4-7071-1X	-	-	-	-	313254-6X
+115	Peterbilt	-	6-4-7071-1X	-	-	-	-	313254-7X
-116	Volvo White	-	-	-	98-452-1	98-453-1	70-16-10-11X	-
+117	Kenworth	-	6-4-7071X	6-4-4651	98-452-2	-	-	313254-1X
+118	Service	-	6-4-7071X	-	-	-	-	-
+119	Freightliner	-	-	-	98-452-2	-	-	313254-2X
+120	Kenworth	-	6-4-7071-1X	6-4-4651-1	98-452-2	-	70-16-10-11X	-
+121	Kenworth	-	6-4-7071-1X	6-4-4651-1	98-452-2	-	-	313254-3X
-122	Reynolds Mod.	-	6-4-7071-1X	6-4-4651-1	98-452-1	98-453-1	-	313254-7X
+123	Kenworth	-	6-4-7071-1X	6-4-4651-1	98-452-2	-	-	313254-1X
+124	Western Star	-	-	-	98-452-2	-	70-16-10-11X	-
301394 - Model 1241-D								
-1	Freightliner	-	-	-	-	-	70-16-10-11X	-
-2	Kenworth	-	6-4-7071X	6-4-4651	98-452-1	98-453-1	70-16-10-11X	-
-3	Pacific Truck	-	6-4-7071X	6-4-4651	98-452-1	98-453-1	70-16-10-11X	-
-4	Pacific Truck	-	6.5-1-2501X	6.5-1-1871	98-452-1	98-453-1	70-16-10-11X	-
+5	Navistar	-	-	-	-	-	70-16-10-11X	-
-6	Mack	-	-	-	98-452-1	98-453-1	70-16-10-11X	-
+7	Navistar	-	-	-	-	-	-	313254-2X
-8	Peterbilt	-	6-4-7071X	6-4-4651	98-452-1	98-453-1	70-16-10-11X	-
+9	Navistar	-	-	-	-	-	70-16-10-11X	-
-10	Halliburton	70-410-2	6-1-5691X	6-1-4591	98-452-1	98-453-1	70-16-10-11X	-
-11	Service	-	-	-	-	-	-	-
-12	Mack	-	-	-	98-452-1	98-453-1	-	313254-3X
-13	Mack	-	-	-	98-452-1	98-453-1	-	313254-1X
-14	Marmon Motor	70-410-2	6-4-7071X	6-4-4651	98-452-1	98-453-1	-	313254-1X
-15	Service	-	-	-	-	-	-	313254-1X

+ - Unit has Electronic Speedo Mainshaft Rear Bearing Cap.

PARTS LISTED IN THIS CATALOG MAY NO LONGER BE AVAILABLE, USE WITH TRANSMISSION SUPERSEDING LIST.

MODEL 1241

Manual Shift

Tabulated Bills of Material

T210-AMO1000-4



Tab No.	Used By	Trunnion	Flange or Yoke		Speedometer		Shifter Housing Assembly Page 10-11	Top Mounted PTO
			Front	Rear	Drive Gear	Driven Gear		
301394 - Model 1241-D (Cont'd)								
-16	Volvo White	-	-	-	98-452-1	98-453-1	70-16-10-11X	-
-17	GMC	-	-	-	98-452-1	98-453-1	70-16-10-11X	-
-18	GMC	-	-	-	98-452-1	98-453-1	70-16-10-11X	-
-19	Peterbilt	-	6-4-7071X	6-4-4651	98-452-1	98-453-1	-	313254-6X
-20	DWT	-	6-1-5691X	6-1-4591	98-452-1	98-453-1	-	313254-3X
^-21	Peterbilt	-	6-4-7071X	6-4-4651	98-452-1	98-453-1	70-16-10-11X	-
-22	DWT	70-410-2	6-1-5691X	6.5-1-1871	98-452-1	98-453-1	-	313254-1X
-23	DWT	-	6.5-4-3541X	6.5-4-2171	98-452-1	98-453-1	70-16-10-11X	-
-24	Pacific Truck	-	6.5-1-2501X	6.5-1-1871	98-452-1	98-453-1	-	313254-3X
-25	Marmon Motor	70-410-2	6.5-4-3541X	6.5-4-2171	98-452-1	98-453-1	70-16-10-11X	-
^^-26	Freightliner	-	-	-	-	-	-	313254-3X
+--27	Freightliner	-	-	-	98-452-2	-	70-16-10-11X	-
+--28	Freightliner	-	-	-	98-452-2	-	-	313254-4X
+--29	Kenworth	-	6-4-7071X	6-4-4651	98-452-2	-	70-16-10-11X	-
-30	Volvo White	-	-	-	98-452-1	98-453-1	70-16-10-11X	-
-31	Volvo White	-	-	-	98-452-1	98-453-1	70-16-10-11X	-
-32	Volvo White	-	-	-	98-452-1	98-453-1	70-16-10-11X	-
-33	Volvo White	-	-	-	98-452-1	98-453-1	-	313254-4X
+--34	Peterbilt	-	6-4-7071X	-	-	-	70-16-10-11X	-
+--35	Peterbilt	-	6-4-7071X	-	-	-	-	313254-6X
^-36	Peterbilt	-	6-4-7071X	-	-	-	70-16-10-11X	-
-37	Mack	-	6.5-4-3541X	6.5-4-2171	98-452-1	98-453-1	-	313254-1X
-38	Spicer Australia	70-410-2	6-4-7071X	6.5-4-2171	98-452-1	98-453-1	70-16-10-11X	-
-39	Ford	-	-	6.5-4-2171	98-452-1	98-453-1	70-16-10-11X	-
-40	Ford	-	-	6.5-4-2171	98-452-1	98-453-1	-	313254-1X
-41	Ford	-	-	6.5-4-2171	98-452-1	98-453-1	-	313254-3X
+--42	Freightliner	-	-	-	98-452-2	-	-	313254-2X
o+-43	Kenworth	-	6-4-7071X	6-4-4651	98-452-2	-	70-16-10-13X	-
o+-44	Kenworth	-	6-4-7071X	6-4-4651	98-452-2	-	70-16-10-13X	-
+--45	Service	-	-	-	-	-	70-16-10-11X	-

+ - Unit has Electronic Speedo Mainshaft Rear Bearing Cap.

o - Unit has 1st speed blocked out.

^ - Unit has an Oil Cooler Pump Kit 313292-1X

^^ - Unit has an Oil Cooler & Pump Kit 313231-10X

MODEL 1241

Manual Shift



T210-AMO1000-4

Tabulated Bills of Material

Tab No.	Used By	Trunnion	Flange or Yoke		Speedometer		Shifter Housing Assembly Page 10-11	Top Mounted PTO
			Front	Rear	Drive Gear	Driven Gear		
301394 - Model 1241-D (Cont'd)								
+46	Volvo White	-	-	-	-	-	70-16-10-11X	-
+47	Volvo White	-	-	-	-	-	70-16-10-11X	-
#48	Peterbilt	-	6-4-7071X	-	-	-	70-16-10-12X	-
-49	Mack	-	-	-	98-452-1	98-453-1	-	313254-2X
-50	Mack	-	-	-	98-452-1	98-453-1	-	313254-4X
+51	Navistar	-	-	-	-	-	70-16-10-11X	-
+52	Ford	-	-	6.5-4-2171	98-452-2	-	-	313254-1X
+53	Ford	-	-	6.5-4-2171	98-452-2	-	-	313254-3X
+54	Ford	-	-	6.5-4-2171	98-452-2	-	70-16-10-11X	-
-55	Pacific Truck	-	6.5-4-2271-1	6.5-4-2171-1	98-452-1	98-453-1	70-16-10-11X	-
+56	Kenworth	-	6-4-7071-1X	6-4-4651-1	98-452-2	-	70-16-10-11X	-
+57	Peterbilt	-	6-4-7071-1X	-	-	-	70-16-10-11X	-
+58	Peterbilt	-	6-4-7071-1X	-	-	-	-	313254-6X
-59	Volvo White	-	-	-	98-452-1	98-453-1	70-16-10-11X	-
-60	Marmon Motor	70-410-2	6-4-7071X	6-4-4651	98-452-1	98-453-1	70-16-10-11X	-
+61	Peterbilt	-	6-4-7071X	-	-	-	-	-
+62	Kenworth	-	6-4-7071-1X	6-4-4651-1	98-452-2	-	70-16-10-11X	-
+63	Kenworth	-	6-4-7071-1X	6-4-4651-1	98-452-2	-	-	313254-3X
+64	Western Star	-	-	-	98-452-2	-	70-16-10-11X	-

+ - Unit has Electronic Speedo Mainshaft Rear Bearing Cap.

- Unit has Overdrive blocked out.

PARTS LISTED IN THIS CATALOG MAY NO LONGER BE AVAILABLE, USE WITH TRANSMISSION SUPERSEDING LIST.

MODEL P1241

Air-Matic Shift

Tabulated Bills of Material

T210-AMO1000-4



Tab No.	Used By	Trunnion	Flange or Yoke		Speedometer		Shifter Housing Air-Matic Page 14-15	Power Control
			Front	Rear	Drive Gear	Driven Gear		
301395 - Model P1241-C								
-1	Freightliner	-	-	-	-	-	70-16-14-2X	313127X
+2	Navistar	-	-	-	-	-	70-16-14-2X	313127X
#3	Clark Equip.	-	-	-	98-452-1	98-453-1	70-16-14-2X	313127-2X
-4	Peterbilt	-	6-4-7071X	6-4-4651	98-452-1	98-453-1	70-16-14-2X	313127X
-5	Kenworth	-	6-4-7071X	6.5-4-2171	98-452-1	98-453-1	70-16-14-2X	313127-3X
-6	Harnischfeger	-	6.5-1-2501X	8-1-491	98-452-1	98-453-1	70-16-14-2X	313127X
-7	Mack	-	6.5-4-3541X	6.5-4-2171	98-452-1	98-453-1	70-16-14-2X	313127X
-8	Western Star	-	-	-	98-452-1	98-453-1	70-16-14-2X	313127X
-9	Pacific Truck	-	6.5-1-2501X	6.5-1-1871	98-452-1	98-453-1	70-16-14-2X	313127X
-10	Koehring Co.	70-410-2	-	-	98-452-1	98-453-1	70-16-14-2X	313127X
-11	Ford	-	-	6.5-4-2171	98-452-1	98-453-1	70-16-14-2X	313127-1X
-12	GMC	-	-	-	98-452-1	98-453-1	70-16-14-2X	313127X
-13	Never Released for Production							
-14	Spicer Australia	70-410-2	6-4-7071X	6.5-4-2171	98-452-1	98-453-1	70-16-14-2X	313127X
-15	Never Released for Production							
-16	Kenworth	-	6-4-7071X	6-4-4651	98-452-1	98-453-1	70-16-14-2X	313127-3X
-17	Volvo White	-	-	-	98-452-1	98-453-1	70-16-14-2X	313127X
-18	Marmon Motor	70-410-2	6-4-7071X	6-4-4651	98-452-1	98-453-1	70-16-14-2X	313127X
+19	Volvo White	-	-	-	-	-	70-16-14-2X	313127X
-20	Mack	-	6-4-7071X	6-4-4651	98-452-1	98-453-1	70-16-14-2X	313127X
-21	Clark Equip.	-	-	-	98-452-1	98-453-1	70-16-14-2X	313127X
-22	Amer. Hoist	70-410-2	6.5-1-38X	8-1-491	98-452-1	98-453-1	70-16-14-2X	313127X
-23	Mack	-	-	-	98-452-1	98-453-1	70-16-14-2X	313127-1X
-24	Spicer U.K.	70-410-2	6.5-1-2501X	6.5-1-1871	98-452-1	98-453-1	70-16-14-2X	313127X
-25	Western Star	-	-	-	98-452-1	98-453-1	70-16-14-2X	313127X
-26	Spicer U.K.	-	6.5-1-2501X	8-1-491	98-452-1	98-453-1	70-16-14-2X	313127X
-27	Amer. Hoist	70-410-2	-	6.5-1-1871	98-452-1	98-453-1	70-16-14-2X	313127X
-28	Spicer Australia	70-410-2	6-1-5691X	6-1-4591	98-452-1	98-453-1	70-16-14-2X	313127X
-29	Volvo White	-	-	-	98-452-1	98-453-1	70-16-14-2X	313127X
-30	Volvo White	-	-	-	98-452-1	98-453-1	70-16-14-2X	313127X
+31	Freightliner	-	-	-	98-452-2	-	70-16-14-2X	313127X
+32	Kenworth	-	6-4-7071X	6-4-4651	98-452-2	-	70-16-14-2X	313127-3X
+33	Peterbilt	-	6-4-7071X	-	-	-	70-16-14-2X	313127X
^34	Peterbilt	-	6-4-7071X	6-4-4651	98-452-1	98-453-1	70-16-14-2X	313127X
+35	Navistar	-	-	-	-	-	70-16-14-2X	313127X

+ - Unit has Electronic Speedo Mainshaft Rear Bearing Cap.

^ - Unit has an Oil Cooler Pump Kit 313292-1X

- Unit has Overdrive blocked out.

MODEL P1241

Air-Matic Shift



T210-AMO1000-4

Tabulated Bills of Material

Tab No.	Used By	Trunnion	Flange or Yoke		Speedometer		Shifter Housing Air-Matic Page 14-15	Power Control
			Front	Rear	Drive Gear	Driven Gear		
301395 - Model P1241-C (Cont'd)								
-36	Amer. Hoist	70-410-2	6.5-1-38X	6.5-1-1871	98-452-1	98-453-1	70-16-14-2X	313127X
-37	Grove Mfg.	70-410-2	-	-	98-452-1	98-453-1	70-16-14-2X	-
#-38	Mack	-	-	-	98-452-1	98-453-1	70-16-14-2X	313127-1X
-39	Mack	-	-	-	98-452-1	98-453-1	70-16-14-2X	313127X
+40	Navistar	-	-	-	-	-	70-16-14-2X	313127X
-41	Spicer Australia	70-410-2	6.5-4-3541X	6.5-4-2171	98-452-1	98-453-1	70-16-14-2X	313127X
+42	Ford	-	-	6.5-4-2171	98-452-2	-	70-16-14-2X	313127-1X
^^-43	Dana Japan Isuzu	70-410-2	6.5-1-2501X	8-1-491	98-452-1	98-453-1	70-16-14-2X	313127-3X
+44	Western Star	-	-	-	98-452-2	-	70-16-14-2X	313127X
301396 - Model P1241-D								
-1	Freightliner	-	-	-	-	-	70-16-14-2X	313127X
-2	Volvo White	-	-	-	98-452-1	98-453-1	70-16-14-2X	313127X
+3	Navistar	-	-	-	-	-	70-16-14-2X	313127X
-4	Peterbilt	-	6-4-7071X	6-4-4651	98-452-1	98-453-1	70-16-14-2X	313127X
-5	Kenworth	-	6-4-7071X	6-4-4651	98-452-1	98-453-1	70-16-14-2X	313127-3X
-6	Western Star	-	-	-	98-452-1	98-453-1	70-16-14-2X	313127X
-7	Pacific Truck	-	6.5-1-2501X	6.5-1-1871	98-452-1	98-453-1	70-16-14-2X	313127X
-8	GMC	-	-	-	98-452-1	98-453-1	70-16-14-2X	313127X
-9	Spicer U.K.	-	6.5-1-2501X	-	98-452-1	98-453-1	70-16-14-2X	313127X
-10	Mack	-	6.5-4-3541X	6.5-4-2171	98-452-1	98-453-1	70-16-14-2X	313127X
-11	Mack	-	6-4-7071X	6-4-4651	98-452-1	98-453-1	70-16-14-2X	313127X
-12	Spicer Australia	70-410-2	6-4-7071X	6.5-4-2171	98-452-1	98-453-1	70-16-14-2X	313127X
-13	Mack	-	-	-	98-452-1	98-453-1	70-16-14-2X	313127-1X
-14	Peterbilt	-	6-4-7071X	6-4-4651	98-452-1	98-453-1	70-16-14-2X	313127X
-15	Marmon Motor	70-410-2	6.5-4-3541X	6.5-4-2171	98-452-1	98-453-1	70-16-14-2X	313127X
-16	Volvo White	-	-	-	98-452-1	98-453-1	70-16-14-2X	313127X
-17	Volvo White	-	-	-	98-452-1	98-453-1	70-16-14-2X	313127X
+18	Freightliner	-	-	-	98-452-2	-	70-16-14-2X	313127X
+19	Kenworth	-	6-4-7071X	6-4-4651	98-452-2	-	70-16-14-2X	313127-3X
^-20	Peterbilt	-	6-4-7071X	-	-	-	70-16-14-2X	313127X
+21	Peterbilt	-	6-4-7071X	-	-	-	70-16-14-2X	313127X
-22	Ford	-	-	6.5-4-2171	98-452-1	98-453-1	70-16-14-2X	313127-1X
+23	Navistar	-	-	-	-	-	70-16-14-2X	313127X
-24	Mack	-	-	-	98-452-1	98-453-1	70-16-14-2X	313127X
+25	Navistar	-	-	-	-	-	70-16-14-2X	313127X
+26	Volvo White	-	-	-	98-452-2	-	70-16-14-2X	313127X
+27	Ford	-	-	6.5-4-2171	98-452-2	-	70-16-14-2X	313127-1X
+28	Peterbilt	-	6-4-7071-1X	-	-	-	70-16-14-2X	313127X
+29	Western Star	-	-	-	98-452-2	-	70-16-14-2X	313127X

+ - Unit has Electronic Speedo Mainshaft Rear Bearing Cap.

^ - Unit has an Oil Cooler Pump Kit 313292-1X

^^ - Unit has an Oil Cooler & Pump Kit 313231-10X

- Unit has Overdrive blocked out

PARTS LISTED IN THIS CATALOG MAY NO LONGER BE AVAILABLE, USE WITH TRANSMISSION SUPERSEDING LIST.



MODEL 1241

Manual Shift

Tabulated Bills of Material

T210-AMO1000-4

Tab No.	Used By	Trunnion	Flange or Yoke		Speedometer		Shifter Housing Assembly Page 10-11	Top Mounted PTO
			Front	Rear	Drive Gear	Driven Gear		
301145 - Model 1241-C								
-1	Freightliner	-	-	-	-	-	98-16-4-3X	-
-2	Kenworth	-	6-4-3041X	6-4-4651	98-452-1	98-453-1	98-16-4-3X	-
-3	Pacific Truck	-	6.5-1-68X	6.5-1-1871	98-452-1	98-453-1	98-16-4-3X	-
-4	Navistar	-	-	-	-	-	98-16-4-3X	-
-5	Autocar	-	6-4-3041X	6.5-4-2171	98-452-1	98-453-1	98-16-4-3X	-
-6	Mack	-	-	-	98-452-1	98-453-1	98-16-4-3X	-
-7	Navistar	-	-	-	-	-	-	313221-1X
-8	Kenworth	-	6.5-4-2271X	6.5-4-2171	98-452-1	98-453-1	-	313221-3X
-9	Autocar	-	6-4-3041X	6.5-4-2171	98-452-1	98-453-1	-	313221-3X
-10	FWD	-	-	-	98-452-1	98-453-1	-	313221-3X
-11	Amer. Hoist	70-410-2	-	6.5-1-1871	98-452-1	98-453-1	98-16-4-3X	-
-12	Crane Carrier	70-410-2	-	-	98-452-1	98-453-1	98-16-4-3X	-
-13	Peterbilt	-	6-4-3041X	6-4-4651	98-452-1	98-453-1	98-16-4-3X	-
-14	Kenworth	-	6-4-3041X	6-4-4651	98-452-1	98-453-1	98-16-4-3X	-
-15	Autocar	-	6-4-3041X	6.5-4-2171	98-452-1	98-453-1	-	313221-3X
-16	Autocar	-	6-1-138X	6.5-4-2171	98-452-1	98-453-1	-	313221-3X
-17	Mack	-	-	-	98-452-1	98-453-1	-	313221-3X
-18	Navistar	-	-	-	-	-	98-16-4-3X	-
-19	Peterbilt	-	6-4-3041X	6-4-4651	98-452-1	98-453-1	-	313221-6X
-20	Floor's Handel	70-410-2	6.5-1-68X	6.5-1-1871	98-452-1	98-453-1	98-16-4-3X	-
-21	General Use	-	6-1-138X	6.5-1-1871	-	-	98-16-4-3X	-
-22	Autocar	-	-	-	98-452-1	98-453-1	-	313221-1X
-23	Autocar	-	-	-	98-452-1	98-453-1	-	313221-3X
-24	GMC	-	-	-	98-452-1	98-453-1	98-16-4-3X	-
-25	Mack	70-410-2	-	-	98-452-1	98-453-1	-	313221-3X
-26	Mack	-	-	-	98-452-1	98-453-1	-	313221-1X
-27	Hendrickson	70-410-2	6-4-3041X	6.5-1-1871	98-452-1	98-453-1	98-16-4-3X	-
-28	General Use	-	6.5-1-68X	6.5-4-2171	98-452-1	98-453-1	98-16-4-3X	-
-29	Peterbilt	-	6-4-3041X	6-4-4651	98-452-1	98-453-1	-	313221-1X
-30	Autocar	-	-	-	98-452-1	98-453-1	98-16-4-3X	-
-31	Kenworth	-	6-4-3041X	6-4-4651	98-452-1	98-453-1	-	313221-3X
-32	Service	-	-	-	-	-	-	-
-33	Navistar	-	-	-	-	-	-	313221-1X
-34	Mack	-	6.5-4-2271X	6.5-4-2171	98-452-1	98-453-1	98-16-4-3X	-
-35	Mack	-	6.5-4-2271X	6.5-4-2171	98-452-1	98-453-1	-	313221-3X

Use catalog T210-59 for parts breakdown on these Top Mounted PTO's (Internal Lube)

MODEL 1241

Manual Shift



T210-AMO1000-4

Tabulated Bills of Material

Tab No.	Used By	Trunnion	Flange or Yoke		Speedometer		Shifter Housing Assembly Page 10-11	Top Mounted PTO
			Front	Rear	Drive Gear	Driven Gear		
301145 - Model 1241-C (Cont'd)								
-36	Pacific Truck	-	6.5-1-68X	6.5-1-1871	98-452-1	98-453-1	-	313221-3X
-37	Mack	-	6-4-3041X	6-4-4651	98-452-1	98-453-1	98-16-4-3X	-
-38	Little Giant	70-410-2	6-4-3041X	6.5-4-2171	98-452-1	98-453-1	-	313221-7X
-39	Ford	-	-	6.5-4-2171	98-452-1	98-453-1	98-16-4-3X	-
-40	GMC	-	-	-	98-452-1	98-453-1	-	313221-3X
-41	Mack	-	6-4-3041X	6-4-4651	98-452-1	98-453-1	-	313221-3X
-42	General Use	-	-	-	-	-	-	313221-1X
-43	General Use	-	6-1-138X	6-1-4591	98-452-1	98-453-1	-	313221-3X
301146 - Model 1241-D								
-1	Freightliner	-	-	-	-	-	98-16-4-3X	-
-2	Kenworth	-	6-4-3041X	6-4-4651	98-452-1	98-453-1	98-16-4-3X	-
-3	Mack	-	6-4-3041X	6-4-4651	98-452-1	98-453-1	98-16-4-3X	-
-4	Pacific Truck	-	6.5-1-68X	6.5-1-1871	98-452-1	98-453-1	98-16-4-3X	-
-5	Navistar	-	-	-	-	-	98-16-4-3X	-
-6	Mack	-	-	-	98-452-1	98-453-1	98-16-4-3X	-
-7	Navistar	-	-	-	-	-	-	313221-1X
-8	Peterbilt	-	6-4-3041X	6-4-4651	98-452-1	98-453-1	98-16-4-3X	-
-9	Navistar	-	-	-	-	-	98-16-4-3X	-
-10	Haliburton	70-410-2	6-1-138X	6-1-4591	98-452-1	98-453-1	98-16-4-3X	-
-11	General Use	-	-	-	-	-	-	-
-12	Mack	-	-	-	-	-	-	-
-13	Mack	-	-	-	-	-	-	-
-14	Marmon Herr.	70-410-2	6-4-3041X	6-4-4651	98-452-1	98-453-1	-	313221-1X
-15	General Use	-	-	-	-	-	-	313221-1X
-16	Autocar	-	-	-	98-452-1	98-453-1	98-16-4-3X	-
-17	GMC	-	-	-	98-452-1	98-453-1	98-16-4-3X	-
-18	Autocar	-	-	-	98-452-1	98-453-1	-	313221-3X
-19	Peterbilt	-	6-4-3041X	6-4-4651	98-452-1	98-453-1	-	313221-6X
-20	Service	-	6-1-138X	6-1-4591	98-452-1	98-453-1	-	313221-3X

Use catalog T210-59 for parts breakdown on these Top Mounted PTO's (Internal Lube)

PARTS LISTED IN THIS CATALOG MAY NO LONGER BE AVAILABLE, USE WITH TRANSMISSION SUPERSEDING LIST.

MODEL 1241

Manual Shift

Tabulated Bills of Material

T210-AMO1000-4



Tab No.	Used By	Trunnion	Flange or Yoke		Speedometer		Shifter Housing Assembly Page 10-11	Top Mounted PTO
			Front	Rear	Drive Gear	Driven Gear		
301151 - Model 1241-C								
-1	Freightliner	-	-	-	-	-	70-16-10-11X	-
-2	Kenworth	-	6-4-3041X	6-4-4651	98-452-1	98-453-1	70-16-10-11X	-
-3	Pacific Truck	-	6.5-1-68X	6.5-1-1871	98-452-1	98-453-1	70-16-10-11X	-
+4	Navistar	-	-	-	-	-	70-16-10-11X	-
-5	Autocar	-	6-4-3041X	6.5-4-2171	98-452-1	98-453-1	70-16-10-11X	-
-6	Mack	-	-	-	98-452-1	98-453-1	70-16-10-11X	-
+7	Navistar	-	-	-	-	-	-	313254-2X
-8	Paccar	-	6.5-4-2271X	6.5-4-2171	98-452-1	98-453-1	-	313254-3X
-9	Autocar	-	6-4-3041X	6-4-4651	98-452-1	98-453-1	-	313254-3X
-10	FWD	-	-	-	98-452-1	98-453-1	-	313254-3X
-11	Amer. Hoist	70-410-2	-	6.5-1-1871	98-452-1	98-452-1	70-16-10-11X	-
-12	Crane Carrier	-	-	-	98-452-1	98-453-1	70-16-10-11X	-
-13	Peterbilt	-	6-4-3041X	6-4-4651	98-452-1	98-453-1	70-16-10-11X	-
-14	Kenworth	-	6-4-3041X	6-4-4651	98-452-1	98-453-1	70-16-10-11X	-
-15	Autocar	-	6-4-3041X	6.5-4-2171	98-452-1	98-453-1	-	313254-3X
-16	Autocar	-	6-1-138X	6.5-4-2171	98-452-1	98-453-1	-	313254-3X
-17	Mack & White	-	-	-	98-452-1	98-453-1	-	313254-3X
+18	Navistar	-	-	-	-	-	70-16-10-11X	-
-19	Peterbilt	-	6-4-3041X	6-4-4651	98-452-1	98-453-1	-	313254-6X
-20	Service	70-410-2	6.5-1-68X	6.5-1-1871	98-452-1	98-453-1	70-16-10-11X	-
-21	Service	-	6-1-138X	6.5-1-1871	-	-	70-16-10-11X	-
-22	Autocar	-	-	-	98-452-1	98-453-1	-	313254-1X
-23	Autocar	-	-	-	98-452-1	98-453-1	-	313254-3X
-24	GMC	-	-	-	98-452-1	98-453-1	70-16-10-11X	-
-25	Service	70-410-2	-	-	98-452-1	98-453-1	-	313254-3X
-26	Mack	-	-	-	98-452-1	98-453-1	-	313254-1X
^^-27	Hendrickson	70-410-2	6-4-3041X	6.5-1-1871	98-452-1	98-453-1	70-16-10-11X	-
-28	Service	-	6.5-1-68X	6.5-4-2171	98-452-1	98-453-1	70-16-10-11X	-
-29	Peterbilt	-	6-4-3041X	6-4-4651	98-452-1	98-453-1	-	313254-7X
-30	Autocar	-	-	-	98-452-1	98-453-1	70-16-10-11X	-
-31	Paccar	-	6-4-3041X	6-4-4651	98-452-1	98-453-1	-	313254-3X
-32	Service	-	-	-	-	-	-	-
+33	Navistar	-	-	-	-	-	-	313254-2X
-34	Mack	-	6.5-4-2271X	6.5-4-2171	98-452-1	98-453-1	70-16-10-11X	-
-35	Mack	-	6.5-4-2271X	6.5-4-2171	98-452-1	98-453-1	-	313254-4X

+ - Unit has Electronic Speedo Mainshaft Rear Bearing Cap.

^^ - Unit has Oil Cooler & Pump Kit 313231-10X

PARTS LISTED IN THIS CATALOG MAY NO LONGER BE AVAILABLE, USE WITH TRANSMISSION SUPERSEDING LIST.

MODEL 1241

Manual Shift



T210-AMO1000-4

Tabulated Bills of Material

Tab No.	Used By	Trunnion	Flange or Yoke		Speedometer		Shifter Housing Assembly Page 10-11	Top Mounted PTO
			Front	Rear	Drive Gear	Driven Gear		
301151 - Model 1241-C (Cont'd)								
-36	Pacific Truck	-	6.5-1-68X	6.5-1-1871	98-452-1	98-453-1	-	313254-3X
-37	Mack	-	6-4-3041X	6-4-4651	98-452-1	98-453-1	70-16-10-11X	-
-38	Little Giant	70-410-2	6-4-3041X	6.5-4-2171	98-452-1	98-453-1	-	313254-7X
-39	Ford	-	-	6.5-4-2171	98-452-1	98-453-1	70-16-10-11X	-
-40	GMC	-	-	-	98-452-1	98-453-1	-	313254-3X
-41	Mack	-	6-4-3041X	6-4-4651	98-452-1	98-453-1	-	313254-4X
-42	Freightliner	-	-	-	-	-	-	313254-3X
-43	Service	-	6-1-138X	6-1-4591	98-452-1	98-453-1	-	313254-3X
-44	Navistar	-	6.5-4-2271X	6.5-4-2171	98-452-1	98-453-1	-	313254-3X
-45	White	-	-	-	-	-	-	313254-1X
-46	Service	70-410-2	6-4-3041X	6.5-4-2171	98-452-1	98-453-1	70-16-10-11X	-
-47	Service	-	6.5-1-68X	8-1-491	98-452-1	98-453-1	70-16-10-11X	-
-48	Service	-	-	-	98-452-1	98-453-1	-	313254-6X
-49	Marmon Motor	70-410-2	6.5-4-2271X	6.5-4-2171	98-452-1	98-453-1	70-16-10-11X	-
-50	Marmon Motor	-	6.5-4-2271X	6.5-4-2171	98-452-1	98-453-1	-	313254-3X
-51	Mack	-	6.5-4-2271X	6.5-4-2171	98-452-1	98-453-1	-	313254-1X
-52	Scot Truck	70-410-2	6.5-4-2271X	6.5-4-2171	98-452-1	98-453-1	-	313254-1X
+53	White	-	-	-	-	-	-	313254-3X
-54	Kenworth	-	6-4-3041X	6-4-4651	98-452-1	98-453-1	-	313254-3X
-55	Oshkosh	-	-	-	98-452-1	98-453-1	-	313254-1X
-56	Navistar	-	6.5-4-2271X	6.5-4-2171	98-452-1	98-453-1	-	313254-1X
^57	Peterbilt	-	6-4-3041X	6-4-4651	98-452-1	98-453-1	70-16-10-11X	-
-58	Paccar	-	6-4-3041X	6-4-4651	98-452-1	98-453-1	-	-
^59	Peterbilt	-	6-4-3041X	6-4-4651	98-452-1	98-453-1	-	313254-7X
-60	Mack	-	6.5-4-2271X	6.5-4-2171	98-452-1	98-453-1	-	313254-2X
-61	Osterland	70-410-2	6.5-4-2271X	6.5-4-2171	-	-	-	313254-1X
-62	Crane Carrier	-	-	-	98-452-1	98-453-1	-	313254-1X
-63	GMC	-	-	-	98-452-1	98-453-1	-	313254-1X
+64	Freightliner	-	-	-	98-452-2	-	70-16-10-11X	-
+65	Freightliner	-	-	-	98-452-2	-	-	313254-4X
+66	Kenworth	-	6-4-3041X	6-4-4651	98-452-2	-	70-16-10-11X	-
-67	Volvo White	-	-	-	98-452-1	98-453-1	70-16-10-11X	-
-68	Volvo White	-	-	-	98-452-1	98-453-1	70-16-10-11X	-
#69	Volvo White	-	-	-	98-452-1	98-453-1	70-16-10-12X	-
#70	Volvo White	-	-	-	98-452-1	98-453-1	70-16-10-12X	-

+ - Unit has Electronic Speedo Mainshaft Rear Bearing Cap.

^ - Unit has Oiler Cooler Pump Kit 313292-1X

PARTS LISTED IN THIS CATALOG MAY NO LONGER BE AVAILABLE, USE WITH TRANSMISSION SUPERSEDING LIST.

MODEL 1241

Manual Shift

Tabulated Bills of Material

T210-AMO1000-4



Tab No.	Used By	Trunnion	Flange or Yoke		Speedometer		Shifter Housing Assembly Page 10-11	Top Mounted PTO
			Front	Rear	Drive Gear	Driven Gear		
301151 - Model 1241-C (Cont'd)								
-71	Volvo White	-	-	-	98-452-1	98-453-1	-	313254-4X
-72	Volvo White	-	-	-	98-452-1	98-453-1	-	313254-2X
-73	Volvo White	-	-	-	98-452-1	98-453-1	-	313254-4X
-74	Volvo White	-	-	-	98-452-1	98-453-1	-	313254-2X
-75	Volvo White	-	-	-	98-452-1	98-453-1	-	313254-8X
#-76	Volvo White	-	-	-	98-452-1	98-453-1	-	313254-8X
+77	Peterbilt	-	6-4-3041X	-	-	-	70-16-10-11X	-
+78	Peterbilt	-	6-4-3041X	-	-	-	-	313254-6X
+79	Peterbilt	-	6-4-3041X	-	-	-	-	313254-7X
^80	Peterbilt	-	6-4-3041X	-	-	-	70-16-10-11X	-
^81	Peterbilt	-	6-4-3041X	-	-	-	-	313254-6X
^82	Peterbilt	-	6-4-3041X	-	-	-	-	313254-7X
+83	Kenworth	-	6-4-3041X	6-4-4651	98-452-2	-	-	313254-3X
-84	Oshkosh	-	-	-	98-452-1	98-453-1	-	313254-3X
+85	Freightliner	-	-	-	98-452-2	-	-	313254-2X
-86	GMC	-	-	-	98-452-1	98-453-1	-	313254-3X
#87	Marmon Motor	70-410-2	6.5-4-2271X	6.5-4-2171	98-452-1	98-453-1	70-16-10-12X	-
-88	Marmon Motor	70-410-2	6-4-3041X	6-4-4651	98-452-1	98-453-1	-	313254-3X
-89	Ford	-	-	-	98-452-1	98-453-1	-	313254-1X
-90	Ford	-	-	-	98-452-1	98-453-1	-	313254-3X
+91	Peterbilt	-	-	6-4-4651	-	-	-	313483-1X
-92	Osterlund	-	6.5-1-68X	6.5-4-2171	98-452-1	98-453-1	-	313254-2X
+93	WRSC	-	-	-	-	-	70-16-10-11X	-
-94	Ford	-	-	6.5-4-2171	-	-	-	313254-9X
+95	Volvo White	-	-	-	-	-	70-16-10-11X	-
+96	Volvo White	-	-	-	-	-	-	313254-1X
+97	Volvo White	-	-	-	-	-	70-16-10-11X	-
+98	Volvo White	-	-	-	-	-	70-16-10-11X	-
#+99	Volvo White	-	-	-	-	-	70-16-10-12X	-
#+100	Volvo White	-	-	-	-	-	70-16-10-12X	-
+101	Peterbilt	-	6-4-3041X	-	-	-	70-16-10-12X	-
-102	Mack	-	-	-	98-452-1	98-453-1	-	313254-4X
-103	Mack	-	-	-	98-452-1	98-453-1	-	313254-2X
+104	Navistar	-	-	-	-	-	70-16-10-11X	-
-105	Pacific Truck	-	6-5-4-2271X	6.5-4-2171	98-452-1	98-453-1	-	313254-3X

+ - Unit has Electronic Speedo Mainshaft Rear Bearing Cap.

^ - Unit has Oil Cooler Pump Kit 313292-1X.

- Unit has Overdrive blocked out.

PARTS LISTED IN THIS CATALOG MAY NO LONGER BE AVAILABLE, USE WITH TRANSMISSION SUPERSEDING LIST.

MODEL 1241

Manual Shift



T210-AMO1000-4

Tabulated Bills of Material

Tab No.	Used By	Trunnion	Flange or Yoke		Speedometer		Shifter Housing Assembly Page 10-11	Top Mounted PTO
			Front	Rear	Drive Gear	Driven Gear		
301151 - Model 1241-C (Cont'd)								
-106	Pacific Truck	-	6.5-4-2271X	6.5-4-2171	98-452-1	98-453-1	70-16-10-11X	-
-107	Zeligson	-	6-1-138X	6-1-4591	-	-	70-16-10-11X	-
-108	Spicer Australia	70-410-2	6.5-4-2271X	6.5-4-2171	98-452-1	98-453-1	70-16-10-11X	-
+-109	Ford	-	-	6.5-4-2171	98-452-2	-	-	313254-1X
+-110	Ford	-	-	6.5-4-2171	98-452-2	-	-	313254-3X
+-111	Ford	-	-	6.5-4-2171	98-452-2	-	70-16-10-11X	-
-112	Marmon Motor	70-410-2	6-4-3041X	6-4-4651	98-452-1	98-453-1	70-16-10-11X	-
+-113	Peterbilt	-	6-4-3041-1X	-	-	-	70-16-10-11X	-
+-114	Peterbilt	-	6-4-3041-1X	-	-	-	-	313254-6X
+-115	Peterbilt	-	6-4-3041-1X	-	-	-	-	313254-7X
301152 - Model 1241-D								
-1	Volvo White	-	-	-	-	-	70-16-10-11X	-
-2	Kenworth	-	6-4-3041X	6-4-4651	98-452-1	98-453-1	70-16-10-11X	-
-3	Pacific Truck	-	6-4-3041X	6-4-4651	98-452-1	98-453-1	70-16-10-11X	-
-4	Pacific Truck	-	6.5-1-68X	6.5-1-1871	98-452-1	98-453-1	70-16-10-11X	-
+-5	Navistar	-	-	-	-	-	70-16-10-11X	-
-6	White Western	-	-	-	98-452-1	98-453-1	70-16-10-11X	-
+-7	Navistar	-	-	-	-	-	-	313254-2X
-8	Peterbilt	-	6-4-3041X	6-4-4651	98-452-1	98-453-1	70-16-10-11X	-
+-9	Navistar	-	-	-	-	-	70-16-10-11X	-
-10	Haliburton	-	6-1-138X	6-1-4591	98-452-1	98-453-1	70-16-10-11X	-
-11	Service	-	-	-	-	-	-	-
-12	Mack	-	-	-	98-452-1	98-453-1	-	313254-3X
-13	Mack	-	-	-	98-452-1	98-453-1	-	313254-1X
-14	Marmon Motor	70-410-2	6-4-3041X	6-4-4651	98-452-1	98-453-1	-	313254-1X
-15	Service	-	-	-	-	-	-	313254-1X
-16	Autocar	-	-	-	98-452-1	98-453-1	70-16-10-11X	-
-17	GMC	-	-	-	98-452-1	98-453-1	70-16-10-11X	-
-18	Autocar	-	-	-	98-452-1	98-453-1	-	313254-3X
-19	Peterbilt	-	6-4-3041X	6-4-4651	98-452-1	98-453-1	-	313254-6X
-20	Service	-	6-1-138X	6-1-4591	98-452-1	98-453-1	-	313254-3X
^-21	Peterbilt	-	6-4-3041X	6-4-4651	98-452-1	98-453-1	70-16-10-11X	-
-22	Service	70-410-2	6-1-138X	6.5-1-1871	98-452-1	98-453-1	-	313254-1X
-23	Mack	-	6.5-4-2271X	6.5-4-2171	98-452-1	98-453-1	70-16-10-11X	-
-24	Pacific Truck	-	6.5-1-68X	6.5-1-1871	98-452-1	98-453-1	-	313254-3X
-25	Marmon Motor	70-410-2	6.5-4-2271X	6.5-4-2171	98-452-1	98-453-1	70-16-10-11X	-

+ - Unit has Electronic Speedo Mainshaft Rear Bearing Cap.

^- Unit has Oil Cooler Pump Kit 313292-1X.

PARTS LISTED IN THIS CATALOG MAY NO LONGER BE AVAILABLE, USE WITH TRANSMISSION SUPERSEDING LIST.

MODEL 1241

Manual Shift



Tabulated Bills of Material

T210-AMO1000-4

Tab No.	Used By	Trunnion	Flange or Yoke		Speedometer		Shifter Housing Assembly Page 10-11	Top Mounted PTO
			Front	Rear	Drive Gear	Driven Gear		
301152 - Model 1241-D (Cont'd)								
^^-26	Freightliner	-	-	-	-	-	-	313254-3X
+27	Freightliner	-	-	-	98-452-2	-	70-16-10-11X	-
+28	Freightliner	-	-	-	98-452-2	-	-	313254-4X
+29	Kenworth	-	6-4-3041X	6-4-4651	98-452-2	-	70-16-10-11X	-
-30	Volvo White	-	-	-	98-452-1	98-453-1	70-16-10-11X	-
-31	Volvo White	-	-	-	98-452-1	98-453-1	70-16-10-11X	-
-32	Volvo White	-	-	-	98-452-1	98-453-1	-	313254-4X
-33	Volvo White	-	-	-	98-452-1	98-453-1	-	313254-4X
+34	Peterbilt	-	6-4-3041X	-	-	-	70-16-10-11X	-
+35	Peterbilt	-	6-4-3041X	-	-	-	-	313254-6X
^36	Peterbilt	-	6-4-3041X	-	-	-	70-16-10-11X	-
-37	Mack	-	6.5-4-2271X	6.5-4-2171	98-452-1	98-453-1	-	313254-1X
-38	Service	70-410-2	6-4-3041X	6.5-4-2171	98-452-1	98-453-1	70-16-10-11X	-
-39	Ford	-	-	6.5-4-2171	98-452-1	98-453-1	70-16-10-11X	-
-40	Ford	-	-	6.5-4-2171	98-452-1	98-453-1	-	313254-1X
-41	Ford	-	-	6.5-4-2171	98-452-1	98-453-1	-	313254-3X
+42	Freightliner	-	-	-	98-452-2	-	-	313254-2X
+43	Kenworth	-	6-4-3041X	6-4-4651	98-452-2	-	70-16-10-13X	-
+44	WRSC	-	-	-	-	-	70-16-10-11X	-
+45	Volvo White	-	-	-	-	-	70-16-10-11X	-
+46	Volvo White	-	-	-	-	-	70-16-10-11X	-
+47	Volvo White	-	-	-	-	-	70-16-10-11X	-
#+48	Peterbilt	-	6-4-3041X	-	-	-	70-16-10-12X	-
-49	Mack	-	-	-	98-452-1	98-453-1	-	313254-2X
-50	Mack	-	-	-	98-452-1	98-453-1	-	313254-4X
+51	Navistar	-	-	-	-	-	70-16-10-11X	-
+52	Ford	-	-	6.5-4-2171	98-452-2	-	-	313254-1X
+53	Ford	-	-	6.5-4-2171	98-452-2	-	-	313254-3X
+54	Ford	-	-	6.5-4-2171	98-452-2	-	70-16-10-11X	-
-55	Pacific Truck	-	6.5-4-2271X	6.5-4-2171	98-452-1	98-453-1	70-16-10-11X	-
+56	Kenworth	-	6-4-3041-1X	6-4-4651-1	98-452-2	-	70-16-10-11X	-
+57	Peterbilt	-	6-4-3041-1X	-	-	-	70-16-10-11X	-
+58	Peterbilt	-	6-4-3041-1X	-	-	-	-	313254-6X

+ - Unit has Electronic Speedo Mainshaft Rear Bearing Cap.

^ - Unit has Oil Cooler Pump Kit 313292-1X

^^ - Unit has Oil Cooler & Pump Kit 313231-10X

- Unit has Overdrive blocked out.

PARTS LISTED IN THIS CATALOG MAY NO LONGER BE AVAILABLE, USE WITH TRANSMISSION SUPERSEDING LIST.

MODEL P1241

Air-Matic Shift



T210-AMO1000-4

Tabulated Bills of Material

Tab No.	Used By	Trunnion	Flange or Yoke		Speedometer		Shifter Housing Air-Matic Page 14-15	Power Control
			Front	Rear	Drive Gear	Driven Gear		
301053 - Model P1241-C								
-1	Freightliner	-	-	-	-	-	70-16-14-2X	313127X
+2	Navistar	-	-	-	-	-	70-16-14-2X	313127X
#-3	Clark Equip.	-	-	-	98-452-1	98-453-1	70-16-14-2X	313127-2X
-4	Peterbilt	-	6-4-3041X	6-4-4651	98-452-1	98-453-1	70-16-14-2X	313127X
-5	Kenworth	-	6-4-3041X	6.5-4-2171	98-452-1	98-453-1	70-16-14-2X	313127-3X
-6	Harnischfeger	70-410-2	6.5-1-68X	8-1-491	98-452-1	98-453-1	70-16-14-2X	313127X
-7	Autocar	-	6.5-4-2271X	6.5-4-2171	98-452-1	98-453-1	70-16-14-2X	313127X
-8	White	-	-	-	98-452-1	98-453-1	70-16-14-2X	313127X
-9	Pacific Truck	-	6.5-1-68X	6.5-1-1871	98-452-1	98-453-1	70-16-14-2X	313127X
-10	Crane Carrier	70-410-2	-	-	98-452-1	98-453-1	70-16-14-2X	313127X
-11	Ford	-	-	6.5-4-2171	98-452-1	98-453-1	70-16-14-2X	313127-1X
-12	GMC	-	-	-	98-452-1	98-453-1	70-16-14-2X	313127X
-13	Brockway	70-410-2	6-1-138X	6.5-4-2171	98-452-1	98-453-1	70-16-14-2X	313127X
-14	Service	-	6-4-3041X	6.5-4-2171	98-452-1	98-453-1	70-16-14-2X	313127X
-15	Brockway	-	6.5-1-68X	6.5-4-2171	98-452-1	98-453-1	70-16-14-2X	313127X
-16	Kenworth	-	6-4-3041X	6-4-4651	98-452-1	98-453-1	70-16-14-2X	313127-3X
-17	Autocar	-	-	-	98-452-1	98-453-1	70-16-14-2X	313127X
-18	Marmon Motor	70-410-2	6-4-3041X	6-4-4651	98-452-1	98-453-1	70-16-14-2X	313127X
+19	Volvo White	-	-	-	-	-	70-16-14-2X	313127X
-20	Mack	-	6-4-3041X	6-4-4651	98-452-1	98-453-1	70-16-14-2X	313127X
-21	Clark Equip.	-	-	-	98-452-1	98-453-1	70-16-14-2X	313127X
-22	Amer. Hoist	70-410-2	6.5-1-38X	8-1-491	98-452-1	98-453-1	70-16-14-2X	313127X
-23	Mack	-	-	-	98-452-1	98-453-1	70-16-14-2X	313127-1X
-24	Turner	70-410-2	6.5-1-68X	6.5-1-1871	98-452-1	98-453-1	70-16-14-2X	313127X
-25	White	-	-	-	98-452-1	98-453-1	70-16-14-2X	313127X
-26	Turner	-	6.5-1-68X	8-1-491	98-452-1	98-453-1	70-16-14-2X	313127X
-27	Amer. Hoist	70-410-2	-	6.5-1-1871	98-452-1	98-453-1	70-16-14-2X	313127X
-28	Service	-	6-1-138X	6-1-4591	98-452-1	98-453-1	70-16-14-2X	313127X
-29	Volvo White	-	-	-	98-452-1	98-453-1	70-16-14-2X	313127X
-30	Volvo White	-	-	-	98-452-1	98-453-1	70-16-14-2X	313127X
+31	Freightliner	-	-	-	98-452-2	-	70-16-14-2X	313127X
+32	Kenworth	-	6-4-3041X	6-4-4651	98-452-2	-	70-16-14-2X	313127-3X
+33	Peterbilt	-	6-4-3041X	-	-	-	70-16-14-2X	313127X
^34	Peterbilt	-	6-4-3041X	6-4-4651	98-452-1	98-453-1	70-16-14-2X	313127X
+35	Navistar	-	-	-	-	-	70-16-14-2X	313127X

+ - Unit has Electronic Speedo Mainshaft Rear Bearing Cap.

^ - Unit has Oil Cooler Pump Kit 313292-1X

- Unit has Overdrive blocked out.

PARTS LISTED IN THIS CATALOG MAY NO LONGER BE AVAILABLE, USE WITH TRANSMISSION SUPERSEDING LIST.

MODEL P1241

Air-Matic Shift

Tabulated Bills of Material

T210-AMO1000-4



Tab No.	Used By	Trunnion	Flange or Yoke		Speedometer		Shifter Housing Air-Matic Page 14-15	Power Control
			Front	Rear	Drive Gear	Driven Gear		
301053 - Model P1241-C (Cont'd)								
-36	Amer. Hoist	70-410-2	6.5-1-38X	6.5-1-1871	98-452-1	98-453-1	70-16-14-2X	313127X
-37	Grove	-	-	-	98-452-1	98-453-1	70-16-14-2X	313127X
#-38	Mack	-	-	-	98-452-1	98-453-1	70-16-14-2X	313127-1X
-39	Mack	-	-	-	98-452-1	98-453-1	70-16-14-2X	313127X
+40	Navistar	-	-	-	-	-	70-16-14-2X	313127X
-41	Spicer Australia	70-410-2	6.5-4-2271X	6.5-4-2171	98-452-1	98-453-1	70-16-14-2X	313127X
+42	Ford	-	-	6.5-4-2171	98-452-2	-	70-16-14-2X	313127-1X
-43	Marmon Motor	70-410-2	6-4-3041X	6-4-4651	98-452-1	98-453-1	70-16-14-2X	313127X
-44	Marmon Motor	70-410-2	6.5-4-2271X	6.5-4-2171	98-452-1	98-453-1	70-16-14-2X	313127X
301054 - Model P1241-D								
-1	Freightliner	-	-	-	-	-	70-16-14-2X	313127X
-2	Autocar	-	-	-	98-452-1	98-453-1	70-16-14-2X	313127X
+3	Navistar	-	-	-	-	-	70-16-14-2X	313127X
-4	Peterbilt	-	6-4-3041X	6-4-4651	98-452-1	98-453-1	70-16-14-2X	313127X
-5	Kenworth	-	6-4-3041X	6-4-4651	98-452-1	98-453-1	70-16-14-2X	313127-3X
-6	White	-	-	-	98-452-1	98-453-1	70-16-14-2X	313127X
-7	Pacific Truck	-	6.5-1-68X	6.5-1-1871	98-452-1	98-453-1	70-16-14-2X	313127X
-8	GMC	-	-	-	98-452-1	98-453-1	70-16-14-2X	313127X
-9	Turner	-	6.5-1-68X	8-1-491	98-452-1	98-453-1	70-16-14-2X	313127X
-10	Mack	-	6.5-4-2271X	6.5-4-2171	98-452-1	98-453-1	70-16-14-2X	313127X
-11	Mack	-	6-4-3041X	6-4-4651	98-452-1	98-453-1	70-16-14-2X	313127X
-12	Service	70-410-2	6-4-3041X	6.5-4-2171	98-452-1	98-453-1	70-16-14-2X	313127X
-13	Mack	-	-	-	98-452-1	98-453-1	70-16-14-2X	313127-1X
^-14	Peterbilt	-	6-4-3041X	6-4-4651	98-452-1	98-453-1	70-16-14-2X	313127X
-15	Marmon Motor	70-410-2	6.5-4-2271X	6.5-4-2171	98-452-1	98-453-1	70-16-14-2X	313127X
-16	Volvo White	-	-	-	98-452-1	98-453-1	70-16-14-2X	313127X
-17	Volvo White	-	-	-	98-452-1	98-453-1	70-16-14-2X	313127X
+18	Freightliner	-	-	-	98-452-2	-	70-16-14-2X	313127X
+19	Kenworth	-	6-4-3041X	6-4-4651	98-452-2	-	70-16-14-2X	313127-3X
^-20	Peterbilt	-	6-4-3041X	-	-	-	70-16-14-2X	313127X
+21	Peterbilt	-	6-4-3041X	-	-	-	70-16-14-2X	313127X
-22	Ford	-	-	6.5-4-2171	98-452-1	98-453-1	70-16-14-2X	313127-1X
+23	Navistar	-	-	-	-	-	70-16-14-2X	313127X
-24	Mack	-	-	-	98-452-1	98-453-1	70-16-14-2X	313127X
+25	Navistar	-	-	-	-	-	70-16-14-2X	313127X
+26	Volvo White	-	-	-	98-452-2	-	70-16-14-2X	313127X
+27	Ford	-	-	6.5-4-2171	98-452-2	-	70-16-14-2X	313127-1X

+ - Unit has Electronic Speedo Mainshaft Rear Bearing Cap.

^- Unit has Oil Cooler Pump Kit 313292-1X

- Unit has Overdrive blocked out.

PARTS LISTED IN THIS CATALOG MAY NO LONGER BE AVAILABLE, USE WITH TRANSMISSION SUPERSEDING LIST.

MODEL 1241

Manual Shift



T210-AMO1000-4

Tabulated Bills of Material

Tab No.	Used By	Trunnion	Flange or Yoke		Speedometer		Shifter Housing Assembly Page 10-11	Top Mounted PTO
			Front	Rear	Drive Gear	Driven Gear		
300977 - Model 1241-C								
-1	Diamond Reo	-	-	-	-	-	98-16-4-1X	-
-2	Can. Kenworth	-	6.5-4-2271X	6.5-4-2171	98-452-1	98-453-1	-	313036-1X*
-3	Kenworth	-	6-4-3041X	6-4-4651	98-452-1	98-453-1	98-16-4-1X	-
-4	Autocar	-	6-1-138X	6.5-4-2171	98-452-1	98-453-1	98-16-4-1X	-
-5	Autocar	-	6-4-3041X	6.5-4-2171	98-452-1	98-453-1	-	313023-1X*
-6	General Use	-	-	-	-	-	-	313023-1X*
-7	General Use	-	-	-	-	-	-	-
-8	Autocar	-	6-1-138X	6.5-4-2171	98-452-1	98-453-1	-	313036-1X*
-9	Peterbilt	-	6-4-3041X	6-4-4651	98-452-1	98-453-1	98-16-4-1X	-
-10	Hayes Mfg.	-	6-1-138X	6-1-4591	98-452-1	98-453-1	98-16-4-1X	-
-11	Pacific Truck	-	6.5-1-68X	6.5-1-1871	98-452-1	98-453-1	98-16-4-1X	-
-12	Navistar	-	-	-	-	-	98-16-4-1X	-
-13	Pacific Truck	70-410-2	6-1-138X	6-1-4591	98-452-1	98-453-1	98-16-4-1X	-
-14	Oshkosh	-	6.5-1-68X	6.5-4-2171	98-452-1	98-453-1	-	313036-1X*
-15	Crane Carrier	-	6.5-1-68X	6.5-4-2171	98-452-1	98-453-1	98-16-4-1X	-
-16	Jack Tidd	-	6.5-1-68X	6.5-1-1871	98-452-1	98-453-1	98-16-4-1X	-
-17	Autocar	-	6-4-3041X	6.5-4-2171	98-452-1	98-453-1	98-16-4-1X	-
-18	Autocar	-	6.5-4-2271X	6.5-4-2171	98-452-1	98-453-1	98-16-4-1X	-
-19	Hayes Mfg.	-	6-1-138X	6-1-4591	98-452-1	98-453-1	-	313036-1X*
-20	Mack	-	-	-	98-452-1	98-453-1	98-16-4-1X	-
-21	Sonnerdale	70-410-2	6.5-4-1321X	6.5-4-2171	98-452-1	98-453-1	98-16-4-1X	-
-22	Navistar	-	-	-	-	-	-	313051-1X**
-23	Mack	-	-	-	98-452-1	98-453-1	-	313023-1X*
-24	General Use	-	6.5-3-1321X	6.5-4-2171	-	-	-	313023-1X*
-25	Autocar	-	6-1-138X	6-4-4651	98-452-1	98-453-1	98-16-4-1X	-
-26	Autocar	-	6-4-3041X	6-4-4651	98-452-1	98-453-1	-	313023-1X*
-27	White	-	6-1-138X	6.5-1-1871	98-452-1	98-453-1	98-16-4-1X	-
-28	Harnischfeger	70-410-2	6.5-1-68X	8-1-491	98-452-1	98-453-1	98-16-4-1X	-
-29	General Use	70-410-2	6.5-4-1321X	8-1-491	98-452-1	98-453-1	98-16-4-1X	-
-30	Autocar	-	6-1-138X	6.5-4-2171	98-452-1	98-453-1	-	313023-1X*
-31	Autocar	-	6-4-3041X	6.5-4-2171	98-452-1	98-453-1	-	313036-1X*
-32	General Use	-	6.5-4-2271X	6.5-4-2171	98-452-1	98-453-1	-	313051-3X**
-33	Autocar	-	6-4-3041X	6.5-4-2171	98-452-1	98-453-1	-	313051-1X**
-34	Autocar	-	6-1-138X	6.5-4-2171	98-452-1	98-453-1	-	313051-1X**
-35	Autocar	-	6.5-1-68X	6.5-4-2171	98-452-1	98-453-1	-	313051-1X**

* - Use catalog T210-60 for parts breakdown on these Top Mounted P.T.O.'s (Non-forced and Forced Lube)

** - Use catalog T210-59 for parts breakdown on these Top Mounted P.T.O.'s (Internal Lube)

PARTS LISTED IN THIS CATALOG MAY NO LONGER BE AVAILABLE. USE WITH TRANSMISSION SUPERSEDING LIST.

MODEL 1241

Manual Shift

Tabulated Bills of Material

T210-AMO1000-4



Tab No.	Used By	Trunnion	Flange or Yoke		Speedometer		Shifter Housing Assembly Page 10-11	Top Mounted PTO
			Front	Rear	Drive Gear	Driven Gear		
300977 - Model 1241-C (Cont'd)								
-36	General Use	-	6-1-138X	6-1-4591	98-452-1	98-453-1	-	313051-3X*
-37	Mack	-	-	-	98-452-1	98-453-1	-	313051-1X*
-38	General Use	-	6.5-4-1321X	6.5-4-2171	-	-	-	313051-3X*
-39	Autocar	-	6-4-3041X	6-4-4651	98-452-1	98-453-1	-	313051-3X*
-40	General Use	-	-	-	98-452-1	98-453-1	-	313051-3X*
-41	General Use	-	-	-	-	-	-	313036-1X*
-42	Navistar	-	-	-	-	-	-	313051-1X*
-43	General Use	-	-	-	-	-	-	313023-1X*
-44	Mack	-	6-4-3041X	6-4-4651	98-452-1	98-453-1	98-16-4-1X	-
-45	General Use	70-410-2	6-4-3041X	6.5-4-2171	98-452-1	98-453-1	98-16-4-1X	-
-46	General Use	70-410-2	-	6.5-1-1871	98-452-1	98-453-1	98-16-4-1X	-
-47	General Use	-	6-1-138X	6-1-4591	98-452-1	98-453-1	98-16-4-1X	-
-48	General Use	70-410-2	6.5-1-68X	6.5-4-2171	98-452-1	98-453-1	-	313051-2X*
-49	General Use	70-410-2	-	-	98-452-1	98-453-1	98-16-4-1X	-
-50	Peterbilt	-	6-4-3041X	6-4-4651	98-452-1	98-453-1	98-16-4-1X	-
-51	Mack	-	6.5-4-2271X	6.5-4-2171	98-452-1	98-453-1	-	313051-1X*
-52	General Use	70-410-2	6.5-4-2271X	6.5-4-2171	98-452-1	98-453-1	-	313051-1X*
#-53	Autocar	-	6.5-4-2271X	6.5-4-2171	98-452-1	98-453-1	98-16-4-2X	-
-54	GMC	-	6-4-3041X	6.5-4-2171	98-452-1	98-453-1	98-16-4-1X	-
-55	General Use	-	6-4-3041X	6-4-4651	98-452-1	98-453-1	98-16-4-1X	-
-56	General Use	70-410-2	6.5-1-68X	6.5-4-2171	98-452-1	98-453-1	98-16-4-1X	-
-57	General Use	70-410-2	6.5-4-2271X	6.5-4-2171	98-452-1	98-453-1	98-16-4-1X	-
-58	Mack	-	6-4-3041X	6-4-4651	98-452-1	98-453-1	-	313051-1X*
-59	Autocar	-	6-4-3041X	6.5-4-2171	98-452-1	98-453-1	-	313051-3X*
-60	Autocar	-	6-1-138X	6.5-4-2171	98-452-1	98-453-1	-	313051-3X*
-61	Autocar	-	6.5-1-68X	6.5-4-2171	98-452-1	98-453-1	-	313051-3X*
-62	Mack	-	-	-	98-452-1	98-453-1	-	313051-3X*
-63	Mack	-	6.5-4-2271X	6.5-4-2171	98-452-1	98-453-1	-	313051-3X*
-64	Mack	-	6-4-3041X	6-4-4651	98-452-1	98-453-1	-	313051-1X*
-65	Hendrickson	70-410-2	6-1-138X	6.5-4-2171	98-452-1	98-453-1	98-16-4-1X	-
-66	Autocar	-	6.5-4-2271X	6.5-4-2171	98-452-1	98-453-1	-	313051-5X*
-67	Navistar	-	-	-	-	-	98-16-4-1X	-
-68	Mack	-	6-4-3041X	6-4-4651	98-452-1	98-453-1	-	313051-5X*
-69	Peterbilt	-	6-4-3041X	6-4-4651	98-452-1	98-453-1	-	313051-6X*
-70	Kenworth	-	6-4-3041X	6-4-4651	98-452-1	98-453-1	-	313051-3X*

* - Use catalog T210-60 for parts breakdown on these Top Mounted P.T.O.'s (Non-forced & Forced Lube)

** - Use catalog T210-59 for parts breakdown on these Top Mounted P.T.O.'s (Internal Lube)

- Unit has Overdrive blocked out.

PARTS LISTED IN THIS CATALOG MAY NO LONGER BE AVAILABLE, USE WITH TRANSMISSION SUPERSEDING LIST.

MODEL 1241

Manual Shift



T210-AMO1000-4

Tabulated Bills of Material

Tab No.	Used By	Trunnion	Flange or Yoke		Speedometer		Shifter Housing Assembly Page 10-11	Top Mounted PTO
			Front	Rear	Drive Gear	Driven Gear		
300977 - Model 1241-C (Cont'd)								
-71	Ford	-	-	6.5-4-2171	98-452-1	98-453-1	98-16-4-1X	-
-72	Mack	-	6-4-3041X	6-4-4651	98-452-1	98-453-1	-	313051-7X**
-73	Mack	-	6.5-4-2271X	6.5-4-2171	98-452-1	98-453-1	-	313051-7X**
-74	Floor's Handel	70-410-2	6.5-1-68X	6.5-1-1871	98-452-1	98-453-1	98-16-4-1X	-
-75	Custom Blt. Trks	-	6-1-138X	6.5-1-1871	-	-	98-16-4-1X	-
-76	Autocar	-	-	-	98-452-1	98-453-1	-	313051-1X**
-77	Autocar	-	-	-	98-452-1	98-453-1	-	313051-3X**
-78	Hendrickson	70-410-2	6-4-3041X	6.5-1-1871	98-452-1	98-453-1	98-16-4-1X	-
-79	Brockway	70-410-2	6.5-4-2271X	6.5-4-2171	98-452-1	98-453-1	-	313051-2X**
-80	Peterbilt	-	6-4-3041X	6-4-4651	98-452-1	98-453-1	-	313051-1X**
-81	GMC	-	-	-	98-452-1	98-453-1	98-16-4-1X	-
300978 - Model 1241-D								
-1	Diamond Reo	-	-	-	-	-	98-16-4-1X	-
-2	Kenworth	-	6-4-3041X	6-4-4651	98-452-1	98-453-1	98-16-4-1X	-
-3	General Use	-	-	-	-	-	-	313023-1X*
-4	General Use	-	-	-	-	-	-	-
-5	Peterbilt	-	6-4-3041X	6-4-4651	98-452-1	98-453-1	98-16-4-1X	-
-6	Hayes Mfg.	-	6-1-138X	6-1-4591	98-452-1	98-453-1	98-16-4-1X	-
-7	Pacific Truck	-	6.5-1-68X	6.5-1-1871	98-452-1	98-453-1	98-16-4-1X	-
-8	Autocar	-	6-1-138X	6-4-4651	98-452-1	98-453-1	98-16-4-1X	-
-9	Pacific Truck	70-410-2	6-1-138X	6-1-4591	98-452-1	98-453-1	98-16-4-1X	-
-10	Navistar	-	-	-	-	-	-	-
-11	Kenworth	-	6.5-1-68X	6.5-1-1871	98-452-1	98-453-1	98-16-4-1X	-
-12	General Use	-	6-4-3041X	6.5-4-2171	98-452-1	98-453-1	-	313036-1X*
-13	Mack	-	-	-	98-452-1	98-453-1	98-16-4-1X	-
-14	General Use	-	6-1-138X	6-1-4591	98-452-1	98-453-1	98-16-4-1X	-
-15	General Use	70-410-2	6.5-1-68X	-	-	-	98-16-4-1X	-
-16	Autocar	-	6-4-3041X	6.5-4-2171	98-452-1	98-453-1	98-16-4-1X	-
-17	General Use	-	-	-	-	-	-	313051-1X**
-18	Autocar	-	6-4-3041X	6.5-4-2171	98-452-1	98-453-1	-	313051-3X**
-19	Mack	-	-	-	98-452-1	98-453-1	-	313051-1X**
-20	General Use	70-410-2	6.5-4-1321X	6.5-4-2171	98-452-1	98-453-1	98-16-4-1X	-
-21	Mack	-	6.5-4-2271X	6.5-4-2171	98-452-1	98-453-1	98-16-4-1X	-
-22	General Use	-	-	-	-	-	-	313023-1X*
-23	Navistar	-	-	-	-	-	-	313051-1X**
-24	Peterbilt	-	6-4-3041X	6-4-4651	98-452-1	98-453-1	98-16-4-1X	-
-25	Mack	-	6.5-4-2271X	6.5-4-2171	98-452-1	98-453-1	-	313051-1X*
-26	Autocar	-	6-1-138X	6.5-4-2171	98-452-1	98-453-1	98-16-4-1X	-
-27	Mack	-	-	-	98-452-1	98-453-1	-	313051-3X**
-28	Mack	-	6.5-4-2271X	6.5-4-2171	98-452-1	98-453-1	-	313051-3X**
-29	Navistar	-	-	-	-	-	98-16-4-1X	-
-30	Freightliner	-	-	-	-	-	-	313214-1X*
-31	Haliburton	70-410-2	6.5-1-68X	6.5-1-1871	98-452-1	98-453-1	98-16-4-1X	-

* - Use catalog T210-60 for parts breakdown on these Top Mounted P.T.O.'s (Non-forced & Forced Lube)

** - Use catalog T210-59 for parts breakdown on these Top Mounted P.T.O.'s (Internal Lube)

PARTS LISTED IN THIS CATALOG MAY NO LONGER BE AVAILABLE, USE WITH TRANSMISSION SUPERSEDING LIST.

MODEL AMO/APO1000-4

SUPERSESSION LIST OF 1241 TO AMO/APO1000-4



BILLS OF MATERIAL

T210-AMO1000-4

1241-C	1241-C	1241-C	1241-C	AMO1000-4C
300977 -1	301145 -1	301151 -1	301393 -1	301474 -1
300977 -3	301145 -2	301151 -2	301393 -2	301474 -38
300977 -11	301145 -3	301151 -3	301393 -3	
300977 -12	301145 -4	301151 -4	301393 -4	301474 -2
300977 -17	301145 -5	301151 -5	301393 -5	
300977 -20	301145 -6	301151 -6	301393 -6	301474 -5
300977 -22	301145 -7	301151 -7	301393 -7	301474 -6
300977 -32	301145 -8	301151 -8	301393 -8	301474 -7
300977 -39	301145 -9	301151 -9	301393 -9	
300977 -40	301145 -10	301151 -10	301393 -10	
300977 -46	301145 -11	301151 -11	301393 -11	
300977 -49	301145 -12	301151 -12	301393 -12	
300977 -50	301145 -13	301151 -13	301393 -13	301474 -42
300977 -55	301145 -14	301151 -14	301393 -14	
300977 -59	301145 -15	301151 -15	301393 -15	
300977 -60	301145 -16	301151 -16	301393 -16	
300977 -62	301145 -17	301151 -17	301393 -17	301474 -8
300977 -67	301145 -18	301151 -18	301393 -18	301474 -9
300977 -69	301145 -19	301151 -19	301393 -19	301474 -34
300977 -74	301145 -20	301151 -20	301393 -20	
300977 -75	301145 -21	301151 -21	301393 -21	
300977 -76	301145 -22	301151 -22	301393 -22	301474 -24
300977 -77	301145 -23	301151 -23	301393 -23	301474 -48
300977 -81	301145 -24	301151 -24	301393 -24	
-	301145 -25	301151 -25	301393 -25	
300977 -37	301145 -26	301151 -26	301393 -26	301474 -10
300977 -78	301145 -27	301151 -27	301393 -27	
300977 -15	301145 -28	301151 -28	301393 -28	
300977 -80	301145 -29	301151 -29	301393 -29	
300977 -4	301145 -30	301151 -30	301393 -30	301474 -49
-	301145 -31	301151 -31	301393 -31	301474 -32
300977 -7	301145 -32	301151 -32	301393 -32	301474 -3
300977 -42	301145 -33	301151 -33	301393 -33	301474 -36
300977 -43	301145 -33			
300977 -18	301145 -34	301151 -34	301393 -34	
300977 -63	301145 -35	301151 -35	301393 -35	
-	301145 -36	301151 -36	301393 -36	301474 -33
300977 -44	301145 -37	301151 -37	301393 -37	
-	301145 -38	301151 -38	301393 -38	
-	301145 -39	301151 -39	301393 -39	
-	301145 -40	301151 -40	301393 -40	
-	301145 -41	301151 -41	301393 -41	
300977 -36	301145 -42	301151 -42	301393 -42	
-	301145 -43	301151 -43	301393 -43	
300977 -2	None	301151 -44	301393 -44	
300977 -5	None	301151 -45	301393 -45	
300977 -6	None	301151 -46	301393 -46	301474 -31

PARTS LISTED IN THIS CATALOG MAY NO LONGER BE AVAILABLE, USE WITH TRANSMISSION SUPERSEDING LIST.

MODEL AMO/APO1000-4

SUPERSESSION LIST OF 1241 TO AMO/AP01000-4

T210-AMO1000-4

BILLS OF MATERIAL



1241-C		1241-C	1241-C		1241-C		AMO1000-4C	
300977	-8	None	301151	-47	301393	-47		
300977	-9	None	301151	-48	301393	-48	301474	-37
300977	-10	None	301151	-49	301393	-49	301474	-26
300977	-13	None	301151	-50	301393	-50	301474	-27
300977	-14	None	301151	-51	301393	-51		
300977	-16	None	301151	-52	301393	-52		
300977	-19	None	301151	-53	301393	-53	301474	-41
300977	-21	None	301151	-54	301393	-54		
300977	-23	None	301151	-55	301393	-55		
300977	-24	None	301151	-56	301393	-56		
300977	-25	None	301151	-57	301393	-57	301474	-57
300977	-26	None	301151	-58	301393	-58	301474	-39
300977	-27	None	301151	-59	301393	-59		
300977	-28	None	301151	-60	301393	-60		
300977	-29	None	301151	-61	301393	-61	301474	-35
300977	-30	None	301151	-62	301393	-62		
300977	-31	None	301151	-63	301393	-63		
300977	-33	None	301151	-64	301393	-64	301474	-11
300977	-34	None	301151	-65	301393	-65	301474	-29
300977	-35	None	301151	-66	301393	-66	301474	-12
300977	-38	None	301151	-67	301393	-67		
300977	-41	None	301151	-68	301393	-68		
300977	-45	None	301151	-69	301393	-69		
300977	-47	None	301151	-70	301393	-70		
300977	-48	None	301151	-71	301393	-71	301474	-25
300977	-51	None	301151	-72	301393	-72		
300977	-52	None	301151	-73	301393	-73		
300977	-53	None	301151	-74	301393	-74		
300977	-54	None	301151	-75	301393	-75		
300977	-56	None	301151	-76	301393	-76		
300977	-57	None	301151	-77	301393	-77	301474	-13
300977	-58	None	301151	-78	301393	-78		
300977	-61	None	301151	-79	301393	-79		
300977	-64	None	301151	-80	301393	-80		
300977	-65	None	301151	-81	301393	-81		
300977	-66	None	301151	-82	301393	-82		
300977	-68	None	301151	-83	301393	-83	301474	-14
300977	-70	None	301151	-84	301393	-84		
300977	-71	None	301151	-85	301393	-85		
300977	-72	None	301151	-86	301393	-86		
300977	-73	None	301151	-87	301393	-87	301474	-46
300977	-79	None	301151	-88	301393	-88	301474	-47
-	-	-	301151	-89	301393	-89		
-	-	-	301151	-90	301393	-90		
-	-	-	301151	-91	301393	-91		
-	-	-	301151	-92	301393	-92		

PARTS LISTED IN THIS CATALOG MAY NO LONGER BE AVAILABLE, USE WITH TRANSMISSION SUPERSEDING LIST.

MODEL AMO/APO1000-4

SUPERSESSION LIST OF 1241 TO AMO/AP01000-4



BILLS OF MATERIAL

T210-AMO1000-4

1241-C	1241-C	1241-C	1241-C	AMO1000-4C
-	-	301151 -93	301393 -93	
-	-	301151 -94	301393 -94	
-	-	301151 -95	301393 -95	301474 -15
-	-	301151 -96	301393 -96	
-	-	301151 -97	301393 -97	
-	-	301151 -98	301393 -98	
-	-	301151 -99	301393 -99	
-	-	301151 -100	301393 -100	
-	-	301151 -101	301393 -101	
-	-	301151 -102	301393 -102	
-	-	301151 -103	301393 -103	
-	-	301151 -104	301393 -104	301474 -16
-	-	301151 -105	301393 -105	301474 -43
-	-	301151 -106	301393 -106	301474 -44
-	-	301151 -107	301393 -107	
-	-	301151 -108	301393 -108	
-	-	301151 -109	301393 -109	
-	-	301151 -110	301393 -110	
-	-	301151 -111	301393 -111	
-	-	301151 -112	301393 -112	
-	-	301151 -113	301393 -113	301474 -17
-	-	301151 -114	301393 -114	301474 -18
-	-	301151 -115	301393 -115	
-	-	-	301393 -116	301474 -19
-	-	-	301393 -117	
-	-	-	301393 -118	301474 -4
-	-	-	301393 -119	301474 -20
-	-	-	301393 -120	301474 -21
-	-	-	301393 -121	301474 -22
-	-	-	301393 -122	
-	-	-	301393 -123	301474 -23
-	-	-	301393 -124	301474 -28
-	-	-	-	301474 -30
-	-	-	-	301474 -40
-	-	-	-	301474 -45
-	-	-	-	301474 -50
-	-	-	-	301474 -51
-	-	-	-	301474 -52
-	-	-	-	301474 -53
-	-	-	-	301474 -54
-	-	-	-	301474 -55
-	-	-	-	301474 -56

MODEL AMO/APO1000-4

SUPERSESSION LIST OF 1241 TO AMO/AP01000-4

T210-AMO1000-4

BILLS OF MATERIAL



1241-D		1241-D		1241-D		1241-D		AMO1000-4D	
300978	-1	301146	-1	301152	-1	301394	-1	301475	-1
300978	-2	301146	-2	301152	-2	301394	-2	301475	-2
300978	-5	301146	-3	301152	-3	301394	-3		
300978	-7	301146	-4	301152	-4	301394	-4		
300978	-10	301146	-5	301152	-5	301394	-5	301475	-20
300978	-13	301146	-6	301152	-6	301394	-6	301475	-5
300978	-23	301146	-7	301152	-7	301394	-7		
300978	-24	301146	-8	301152	-8	301394	-8	301475	-29
300978	-29	301146	-9	301152	-9	301394	-9	301475	-30
300978	-31	301146	-10	301152	-10	301394	-10		
300978	-4	301146	-11	301152	-11	301394	-11	301475	-3
300978	-27	301146	-12	301152	-12	301394	-12	301475	-18
300978	-19	301146	-13	301152	-13	301394	-13	301475	-19
	-	301146	-14	301152	-14	301394	-14		
300978	-17	301146	-15	301152	-15	301394	-15		
300978	-8	301146	-16	301152	-16	301394	-16		
	-	301146	-17	301152	-17	301394	-17		
300978	-18	301146	-18	301152	-18	301394	-18		
	-	301146	-19	301152	-19	301394	-19		
	-	301146	-20	301152	-20	301394	-20		
300978	-3	None		301152	-21	301394	-21		
300978	-6	None		301152	-22	301394	-22		
300978	-9	None		301152	-23	301394	-23		
300978	-11	None		301152	-24	301394	-24	301475	-27
300978	-12	None		301152	-25	301394	-25	301475	-23
300978	-14	None		301152	-26	301394	-26		
300978	-15	None		301152	-27	301394	-27	301475	-13
300978	-16	None		301152	-28	301394	-28		
300978	-20	None		301152	-29	301394	-29	301475	-6
300978	-21	None		301152	-30	301394	-30		
300978	-22	None		301152	-31	301394	-31	301475	-25
300978	-25	None		301152	-32	301394	-32		
300978	-26	None		301152	-33	301394	-33	301475	-15
300978	-28	None		301152	-34	301394	-34	301475	-7
300978	-30	None		301152	-35	301394	-35		
	-	-		301152	-36	301394	-36		
	-	-		301152	-37	301394	-37		
	-	-		301152	-38	301394	-38	301475	-31
	-	-		301152	-39	301394	-39		
	-	-		301152	-40	301394	-40		
	-	-		301152	-41	301394	-41		
	-	-		301152	-42	301394	-42		
	-	-		301152	-43	301394	-43		
	-	-		301152	-44	301394	-44	301475	-24
	-	-		301152	-45	301394	-45		
	-	-		301152	-46	301394	-46	301475	-26
	-	-		301152	-47	301394	-47		

PARTS LISTED IN THIS CATALOG MAY NO LONGER BE AVAILABLE, USE WITH TRANSMISSION SUPERSEDING LIST.

MODEL AMO/APO1000-4

SUPERSESION LIST OF 1241 TO AMO/AP01000-4



BILLS OF MATERIAL

T210-AMO1000-4

1241-D	1241-D	1241-D	1241-D	AMO1000-4D
-	-	301152 -48	301394 -48	
-	-	301152 -49	301394 -49	
-	-	301152 -50	301394 -50	
-	-	301152 -51	301394 -51	301475 -8
-	-	301152 -52	301394 -52	
-	-	301152 -53	301394 -53	
-	-	301152 -54	301394 -54	
-	-	301152 -55	301394 -55	301475 -28
-	-	301152 -56	301394 -56	301475 -17
-	-	301152 -57	301394 -57	301475 -9
-	-	301152 -58	301394 -58	301475 -10
-	-	-	301394 -59	301475 -16
-	-	-	301394 -60	
-	-	-	301394 -61	301475 -4
-	-	-	301394 -62	301475 -11
-	-	-	301394 -63	301475 -12
-	-	-	301394 -64	301475 -22
-	-	-	None	301475 -14
-	-	-	None	301475 -21
-	-	-	None	301475 -32

P1241-C	P1241-C	APO1000-4C	P1241-D	P1241-D	APO1000-4D
301053 -1	301395 -1	301476 -1	301054 -1	301396 -1	301477 -1
301053 -2	301395 -2	301476-11	301054 -2	301396 -2	
301053 -3	301395 -3		301054 -3	301396 -3	301477 -7
301053 -4	301395 -4		301054 -4	301396 -4	301477 -11
301053 -5	301395 -5		301054 -5	301396 -5	
301053 -6	301395 -6		301054 -6	301396 -6	
301053 -7	301395 -7		301054 -7	301396 -7	
301053 -8	301395 -8		301054 -8	301396 -8	
301053 -9	301395 -9	301476-14	301054 -9	301396 -9	
301053-10	301395-10		301054-10	301396 -10	
301053-11	301395-11		301054-11	301396 -11	
301053-12	301395-12		301054-12	301396 -12	
301053-13	301395-13		301054-13	301396 -13	301477 -5
301053-14	301395-14		301054-14	301396 -14	301477 -6
301053-15	301395-15		301054-15	301396 -15	
301053-16	301395-16	301476 -8	301054-16	301396 -16	
301053-17	301395-17		301054-17	301396 -17	301477 -10
301053-18	301395-18	301476 -7	301054-18	301396 -18	301477 -3
301053-19	301395-19		301054-19	301396 -19	
301053-20	301395-20		301054-20	301396 -20	
301053-21	301395-21		301054-21	301396 -21	301477 -4
301053-22	301395-22		301054-22	301396 -22	
301053-23	301395-23	301476-20	301054-23	301396 -23	
301053-24	301395-24		301054-24	301396 -24	
301053-25	301395-25	301476 -2	301054-25	301396 -25	

PARTS LISTED IN THIS CATALOG MAY NO LONGER BE AVAILABLE, USE WITH TRANSMISSION SUPERSEDING LIST.

MODEL AMO/APO1000-4
SUPERSESSION LIST OF 1241 TO AMO/AP01000-4
BILLS OF MATERIAL



T210-AMO1000-4

P1241-C	P1241-C	APO1000-4C	P1241-D	P1241-D	APO1000-4D
301053-26	301395-26		301054-26	301396 -26	
301053-27	301395-27		301054-27	301396 -27	
301053-28	301395-28		-	301396 -28	301477 -2
301053-29	301395-29	301476 -9	-	301396 -29	
301053-30	301395-30		-	-	301477 -8
301053-31	301395-31	301476 -4	-	-	301477 -9
301053-32	301395-32		-	-	301477 -12
301053-33	301395-33	301476 -3	-	-	301477 -13
301053-34	301395-34		-	-	301477 -14
301053-35	301395-35		-	-	301477 -15
301053-36	301395-36		-	-	301477 -16
301053-37	301395-37				
301053-38	301395-38	301476-19			
301053-39	301395-39				
301053-40	301395-40	301476-16			
301053-41	301395-41	301476 -6			
301053-42	301395-42	301476-15			
301053-43	301395-43				
301053-44	301395-44				
None	None	301476 -5			
None	None	301476-10			
None	None	301476-12			
None	None	301476-13			
None	None	301476-17			
None	None	301476-18			
None	None	301476-21			

PARTS LISTED IN THIS CATALOG MAY NO LONGER BE AVAILABLE, USE WITH TRANSMISSION SUPERSEDING LIST.



14700 Helm Court
Plymouth, MI 48170
(800) 401-9866 or (734) 456-3770
Fax: (734) 456-3739
www.ttcautomotive.com

