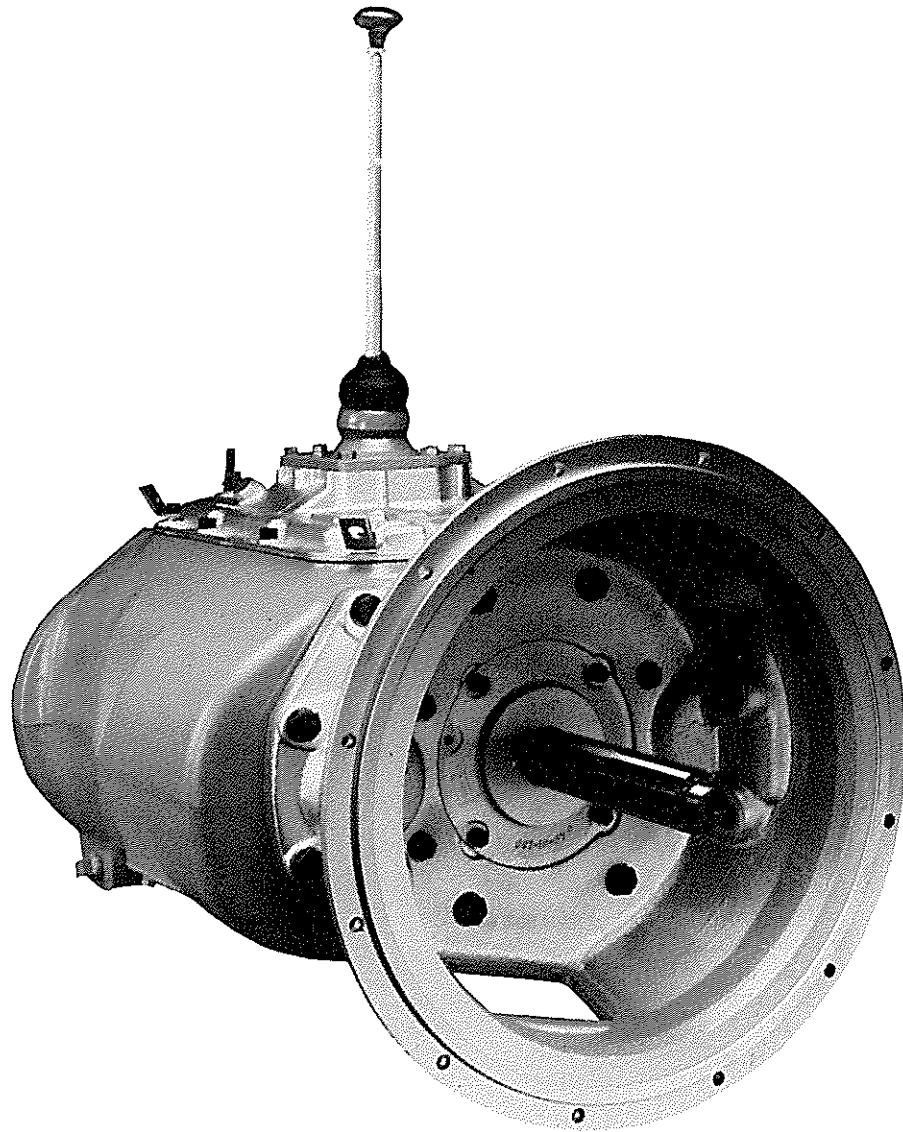


SPICER®

WEATHERLY INDEX 084
T210-9072
February 1989
Supersedes T210-9072
Dated June 1986
9072 Series
Parts List



9072 Series Transmission

CONTENTS

RATIO TABLE and IDENTIFICATION 1

GEARS and RELATED PARTS

DRIVE 2-3

MAINSHAFT 2-3

COUNTERSHAFT 4-5

REVERSE IDLER 4-5

CASE, BEARING CAP and RELATED PARTS

CLUTCH HOUSING 6-7

DRIVE GEAR BEARING CAP 6-7

CASE 6-7

MAINSHAFT REAR BEARING CAP 6-7

COUNTERSHAFT REAR BEARING CAP 6-7

COMPANION FLANGES, FLANGE YOKES and END YOKES 8

CLUTCH HOUSING DIMENSIONS 9

SHIFTER HOUSING ASSEMBLY

CENTER CONTROL 10-11

FORWARD CONTROL 12-13

REMOTE CONTROL ASSEMBLY

HIGH ROD TYPE 14-15

SHIFT LEVER and TOWER PARTS 16-17

CLUTCH RELEASE PARTS DIMENSIONS 18-19

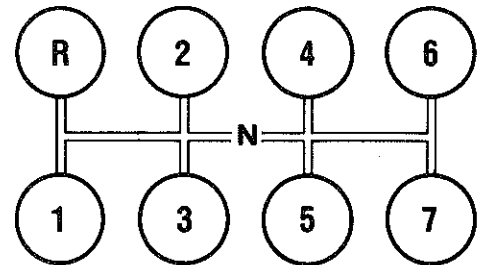
SERVICE PARTS OVERHAUL KITS 20-21

TABULATED BILLS of MATERIAL 22-23

RATIO TABLE

GEAR	RATIO	% STEP
1	10.06	
2	6.00	68
3	3.65	64
4	2.61	40
5	1.84	41
6	1.32	40
7	1.00	32
R	10.06	

SHIFT PATTERN



IDENTIFICATION

The Name Plate (NP-96) affixed to the REAR of the Transmission is stamped with information:

In requesting more information on these transmissions, please furnish this information.

Abbreviations used in this parts list include:

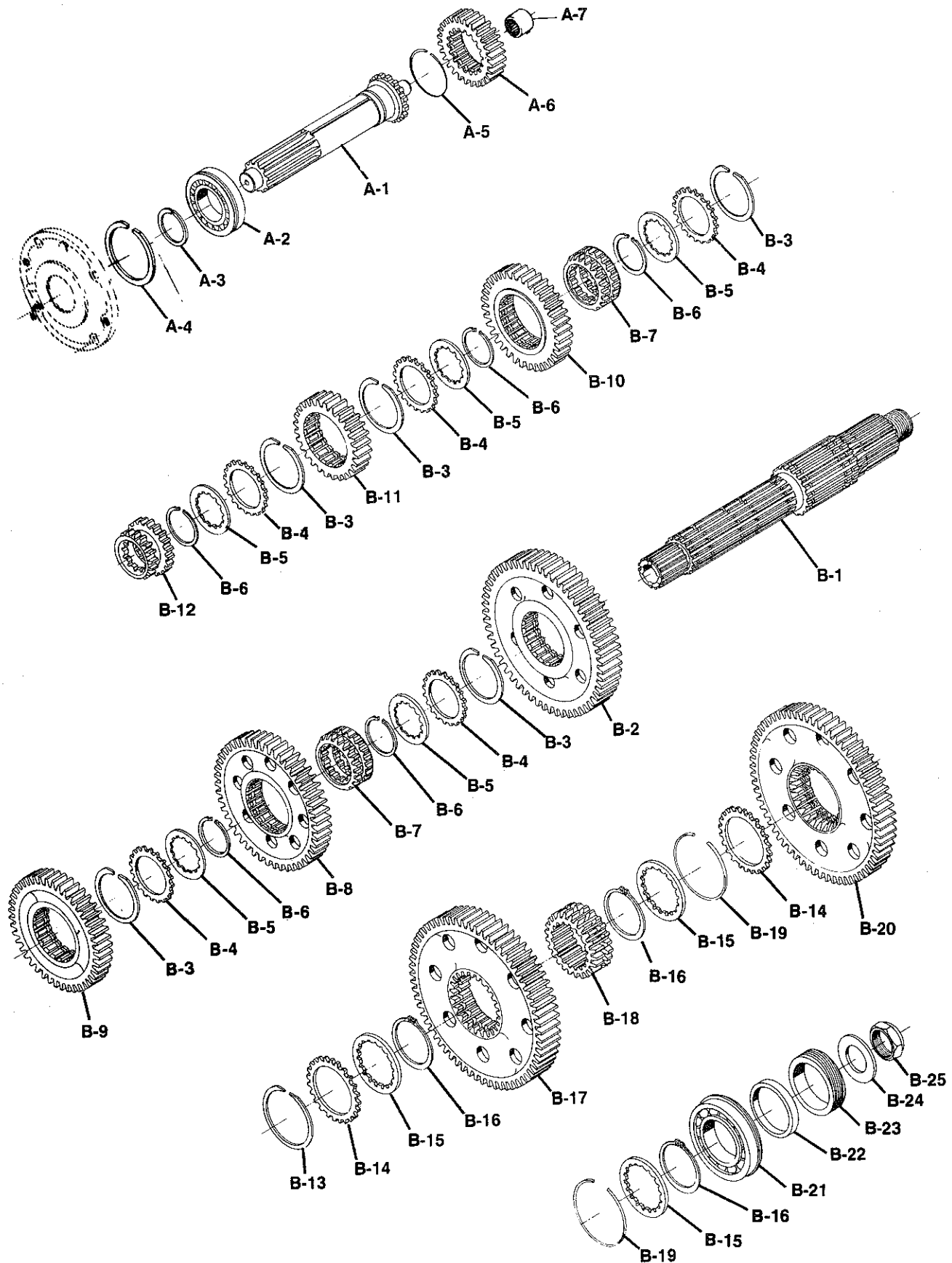
- N.S. — Not Shown
- N.S.S. — Not Sold Separately
- A.R. — As Required

SERIAL

B/M No. MODEL

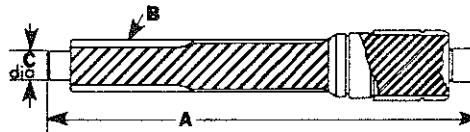
MODEL 9072

GEARS AND RELATED PARTS





Ref. No.	Part Number	Part Description	Qty.
Drive Gear Group (See Tab Bills for Applicable Input Shaft)			
A-1	97-35-65-1X*	Input Shaft—2.00"-10 #306 Pilot	1
	97-35-66-1X*	Input Shaft—1.750"-10 #306 Pilot	1
	97-35-81-1X*	Input Shaft—1.750"-10 #205 Pilot	1
A-2	550992	Bearing—Front	1
A-3	97-381-42	Snap Ring—Bearing Retaining	1
A-4	97-381-41	Snap Ring—Bearing Cap Retaining	1
A-5	97-381-2	Snap Ring—Drive Gear Retaining	1
A-6	97-35-64	Gear—Mainshaft Drive (28T)	1
A-7	550953	Bearing—Drive Gear Pocket	1
Mainshaft Group			
B-1	97-362-53	Mainshaft	1
B-2	97-8-204	Gear—2nd (56T)	1
B-3	97-381-1	Snap Ring—Internal—small	5
B-4	330814	Thrust Washer—External (20T)	5
B-5	330730	Thrust Washer—Internal (15T)	5
B-6	97-381-4	Snap Ring—External—small	5
B-7	97-465-21	Clutch Collar—2nd, 3rd, 4th, and 5th	2
B-8	97-8-205	Gear—3rd (48T)	1
B-9	97-8-206	Gear—4th (42T)	1
B-10	97-8-207	Gear—5th (36T)	1
B-11	97-8-208	Gear—6th (28T)	1
B-12	97-465-51	Clutch Collar—6th & 7th	1
B-13	98-381-2	Snap Ring—Internal—large	1
B-14	330810	Thrust Washer—External (24T)	2
B-15	330869	Thrust Washer—Internal—large	3
B-16	98-381-1	Snap Ring—External—large	3
B-17	97-8-113	Gear—1st (64T)	1
B-18	97-465-24	Clutch Collar—1st and Reverse	1
B-19	97-381-32	Snap Ring—Internal (Reverse gear)	2
B-20	97-8-182	Gear—Reverse (64T)	1
B-21	550925	Bearing—Rear	1
B-22	97-37-17	Spacer	2
B-23	See Tab Bills	Speedometer Drive Gear	1
or	97-37-7	Spacer (used in place of speedometer gear)	1
B-24	330734	Washer	1
B-25	545065	Nut	1



DRIVE GEAR TABLE

A Length	B Spline Dia. Teeth	C Pilot Size	SAE No.	Input Shaft Part No.
13.062"	2.000"-10	1.180"	306	97-35-65-1X*
13.062"	1.750"-10	1.180"	306	96-35-66-1X*
13.062"	1.750"-10	.983	205	97-35-81-1X*

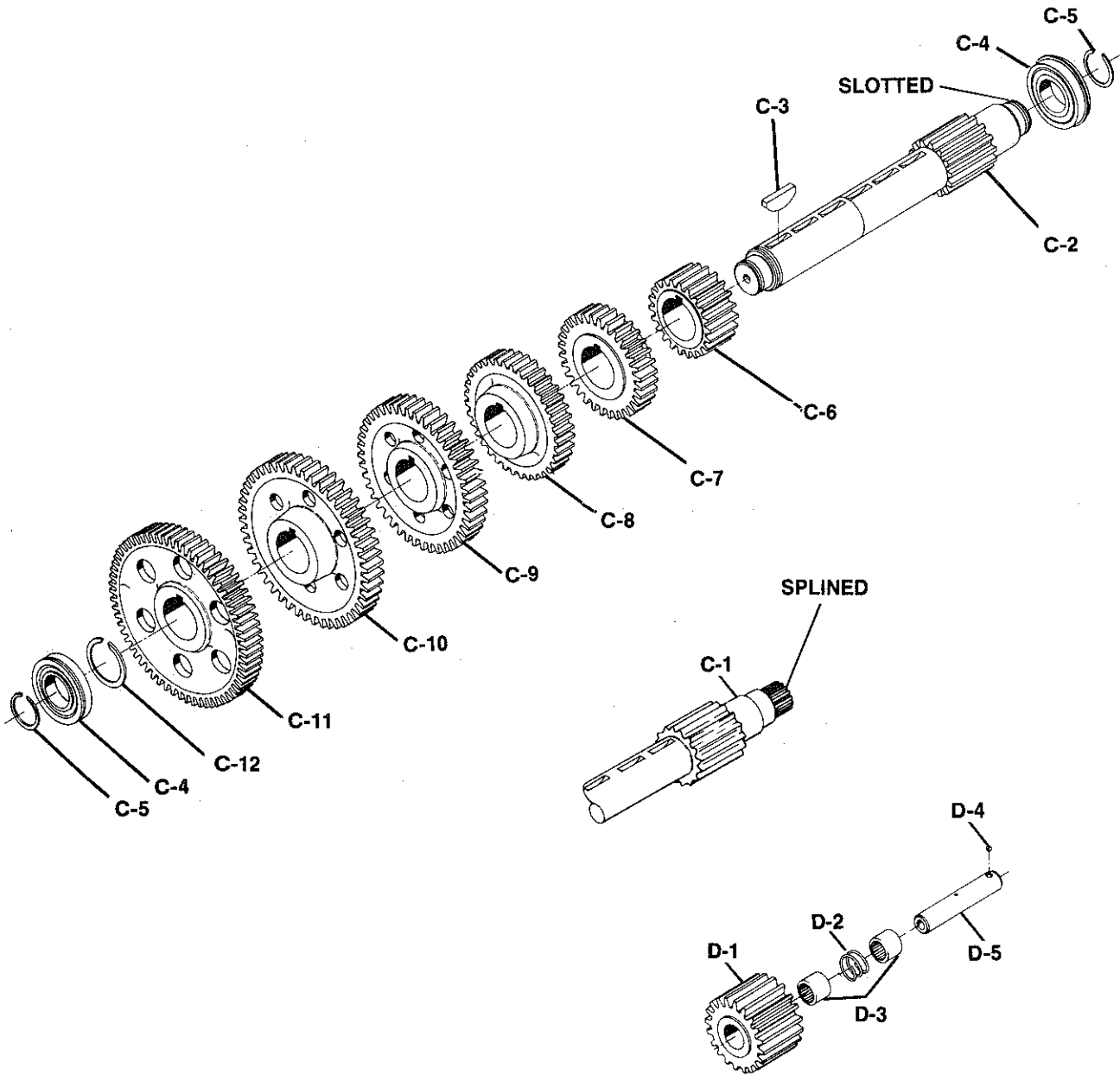
* Includes (1) each 97-381-2, 97-381-41, 97-381-42 Snap Rings

MODEL 9072

GEARS AND RELATED PARTS



T210-9072





Ref. No.	Part Number	Part Description	Qty.
Countershaft Group			
C-1	97-30-69	Countershaft—Right side (15T) (Splined for P.T.O.)	1
C-2	97-30-68	Countershaft—Left side (15T) (Slotted for Pump)	1
C-3	500010-8	Woodruff Key #29	12
C-4	550959	Bearing	4
C-5	54-381-1	Snap Ring	4
C-6	97-196-146	Gear—2nd (22T)	2
C-7	97-196-147	Gear—3rd (31T)	2
C-8	97-196-148	Gear—4th (38T)	2
C-9	97-196-150	Gear—5th (46T)	2
C-10	97-196-152	Gear—6th (50T)	2
C-11	97-1-45	Gear—Countershaft Drive	2
C-12	97-381-33	Retaining Ring	2
Reverse Idler Gear Group			
D-1	97-5-1	Gear—Reverse Idler (21T)	2
D-2	97-37-1	Bearing—Spacer	2
D-3	550886	Bearing	4
D-4	500566-8	Lockball—9/32"	2
D-5	97-60-1	Shaft—Gear	2

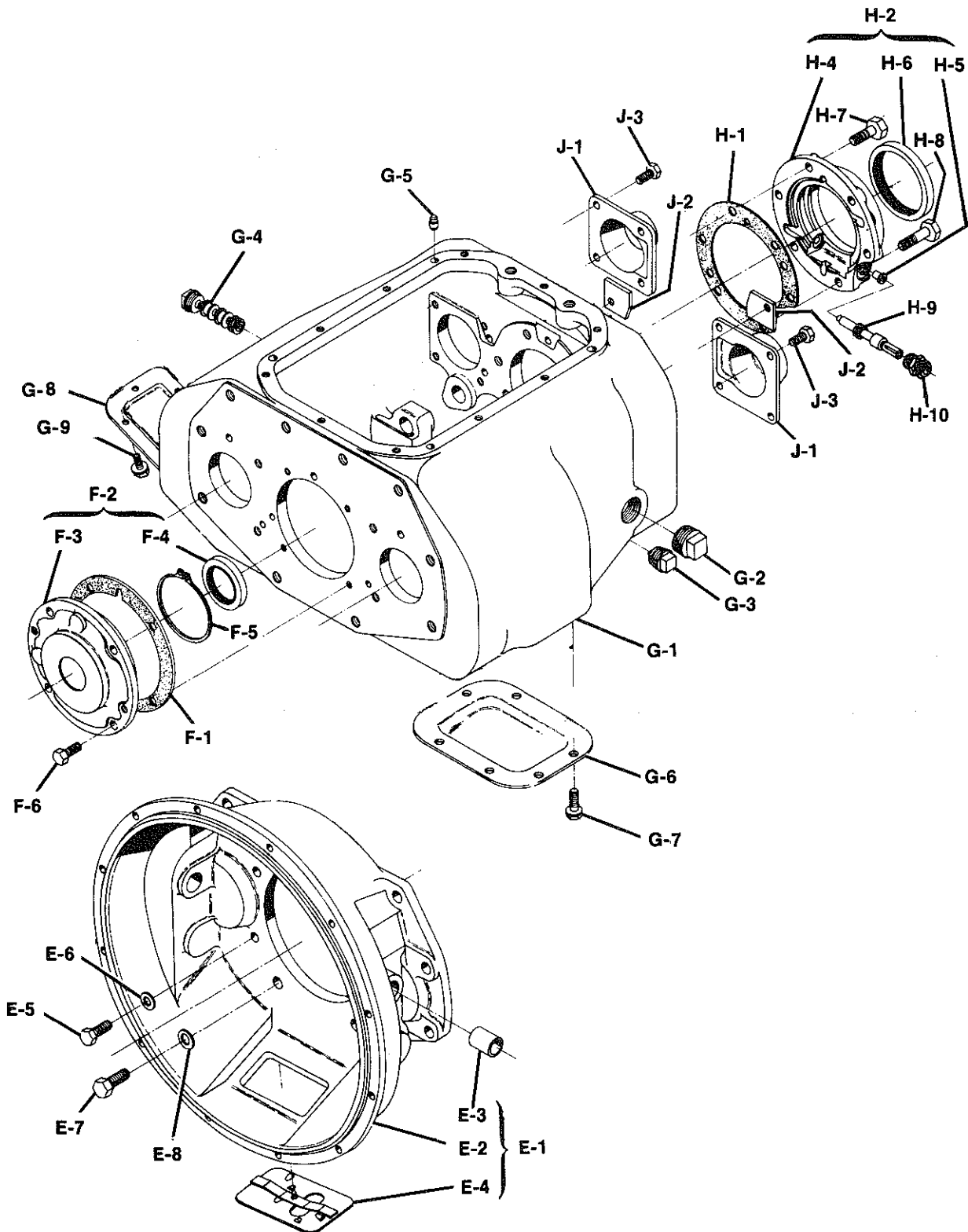
MODEL 9072

SPICER®



T210-9072

CASE, BEARING CAP AND RELATED PARTS





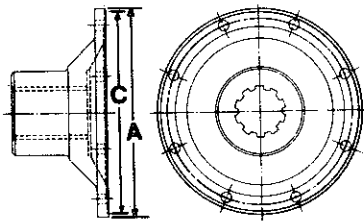
Ref. No.	Part Number	Part Description	Qty.
		Clutch Housing Group	
E-1	See Tab Bills	Clutch Housing Assembly (See chart on page 11)	1
E-2	N.S.S.	Clutch Housing	1
E-3	128C-20	Bushing—Clutch Release Shaft	2
E-4	97-96-18-1X	Hand Hole Cover Assembly	1
N.S.	500169-1	Zerk Fitting—Grease	A.R.
E-5	545001	Bolt—1/2"-13 x 1 1/4" hex head self-locking	4
E-6	170-W	Washer	4
E-7	545008-3	Bolt—5/8"-11 x 1 3/4"	10
E-8	330829	Washer	10
N.S.	545056-4	Anaerobic Sealant	A.R.
		Drive Gear Bearing Cap Group	
F-1	97-223-1	Gasket	1
F-2	97-19-52-1X	Bearing Cap and Oil Seal Assembly (See Tab Bills)	1
F-3	N.S.S.	Bearing Cap (Casting #97-19-37)	1
F-4	97-463-36-1X	Oil Seal—(with Installation sleeve)	1
F-5	97-381-41	Snap Ring	1
F-6	545002-4	Bolt—3/8"-16 x 1" hex head self-locking	4
		Case Group	
G-1	97-15-54-1X	Case Assembly	1
N.S.	NP-97	Nameplate	1
N.S.	252-SP	Pin—Nameplate	4
G-2	62-39-3	Filler Plug (magnetic)	1
G-3	62-39-3	Drain Plug (magnetic)	1
G-4	97-39-1	Drain Plug (magnetic)	1
G-5	274-SP	Dowel Pin (to locate shifter housing to case)	2
N.S.	545056-3	Anaerobic Sealant—Aperture covers	A.R.
G-6	73-267-1	Eight Bolt P.T.O. Aperture Cover	1
G-7	545012	Bolt—7/16"-14 x 3/4" flanged self-locking	8
G-8	50-267-2	Six Bolt P.T.O. Aperture Cover	1
G-9	330800	Bolt—7/16"-14 x 3/4"	6
		Mainshaft Rear Bearing Cap—For Mechanical/Electronic Speedo	
H-1	97-223-2	Gasket	1
H-2	See Tab Bills	Bearing Cap, Seal and Bushing Assembly	1
H-4	N.S.S.	Bearing Cap	1
H-5	60-475-1	Speedometer Bushing	1
H-6	97-463-33	Oil Seal	1
H-7	545001-4	Bolt—1/2"-13 x 1 1/2" hex head self-locking	4
H-8	545001-8	Bolt—1/2"-13 x 2 1/2" hex head self-locking	2
H-9	See Tab Bills	Gear—Speedometer Driven/Electronic Signal Gear	1
or			
N.S.	55-334-1	Plug—Speedometer outlet	1
H-10	55-454-1	Sleeve—Speedometer Driven Gear	1
N.S.	545021	Plug—Speedometer outlet	2
		Countershaft Rear Bearing Cap Group	
N.S.	545056-7	Anaerobic Sealant	A.R.
J-1	97-22-23	Bearing Cap	2
J-2	97-96-23	Reverse Idler Shaft Cover	2
J-3	545015	Bolt—3/8"-16 x 15/16" flanged self-locking	10
N.S.	330564-1	Lift Hook—Reverse Idler Cover	2

MODEL 9072

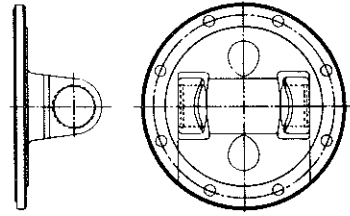
COMPANION FLANGES and END YOKES



T210-9072



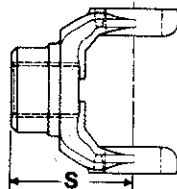
COMPANION FLANGE



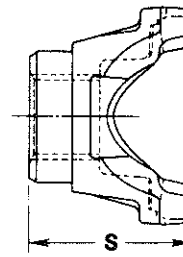
FLANGE YOKE

Companion Flanges and Flange Yokes

A Joint Series	Flange Diameter	Companion Flange Assembly	Companion Flange	G to Flange Face Length	C Pilot Diameter F-Female M-Male	Mates With	
						Flange Yoke	Series
1710	8"	—	6-1-4881	3"	F-7 ³ / ₄ "	6-2-749	1710
1710	8"	—	6-1-4571	3"	F-7 ³ / ₄ "	6-2-749	1710
1810	8"	—	6.5-1-1981	3"	F-7 ³ / ₄ "	6.5-2-329	1810
1810	8"	—	6.5-1-1991	3"	F-7 ³ / ₄ "	6.5-2-329	1810
1810	8"	—	6.5-1-2151	2 ³ / ₄ "	F-7 ³ / ₄ "	6.5-2-329	1810



FULL ROUND



U-BOLT—BRG. STRAP—HALF ROUND

Series	Yoke Style	End Yoke Part Number	S End of Hub To Center Line Length	Momentary Joint Angle	Brake Size
1610	Half Round	5-4-6531-1	5 ¹ / ₁₆ "	21 ¹ / ₂ °	—
1710	Full Round	6-4-5351	5 ³ / ₁₆ "	21°	—
1710	Half Round	6-4-5351-1	5 ³ / ₁₆ "	21°	—
1760	Full Round	6.3-4-41	5 ⁹ / ₁₆ "	30°	—
1760	Half Round	6.3-4-41-1	5 ⁹ / ₁₆ "	30°	—
1810	Full Round	6.5-4-3021	5 ⁹ / ₁₆ "	30°	—

MODEL PS97-7

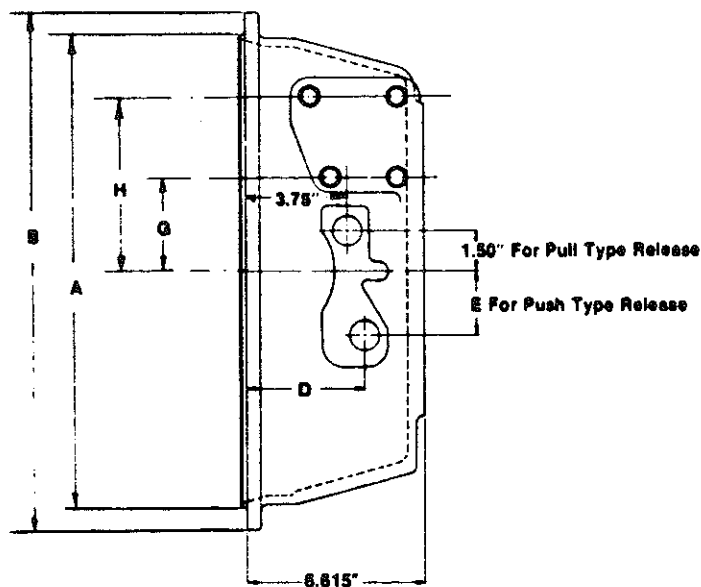
SPICER®



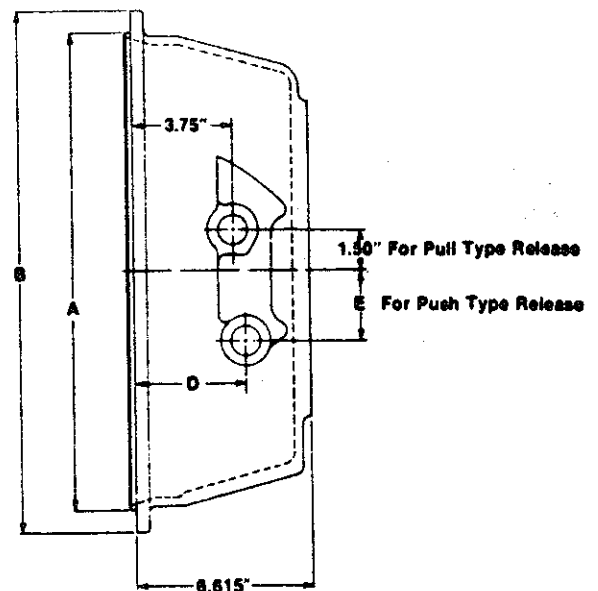
T210-PS97-7

CLUTCH HOUSING DIMENSIONS

Size No.	A Pilot Dia.	B O.D.
1	20 ¹ / ₈ "	21 ³ / ₄ "
2	17 ⁵ / ₈ "	19 ¹ / ₄ "



NODAL MOUNT



STANDARD MOUNT

Part No.	Casting No.	Material	SAE #	D Lower Hole Dim. Face To Center Hole	E Below Center	G Above Center	H Above Center
312795X*	C97-518-4	Iron	2	4.187"	2.625"	—	—
312961X	C97-518-13-1	Iron	1	3.750"	1.500"	4.00"	8.50"
97-518-14-1X*	C97-518-7	Iron	2	4.375"	2.375"	3.50"	6.50"
97-518-15-1X	C97-518-2	Iron	1	4.187"	2.625"	—	—
97-518-16-1X	C97-518-19-1	Alum.	1	4.188"	2.625"	—	—
97-518-18-1X	C97-518-17	Alum.	2	4.187"	2.625"	—	—
97-518-25-1X	C97-518-13-1	Iron	1	3.750"	1.500"	4.00"	8.50"
97-518-28-1X	C97-518-29	Alum.	1	3.750"	1.500"	—	—
97-518-31-1X	C97-518-29	Alum.	1	3.750"	1.500"	4.00"	8.50"
97-518-49-1X*	C97-518-7	Iron	2	3.750"	2.375"	3.50"	6.50"

*Nodal Mount.

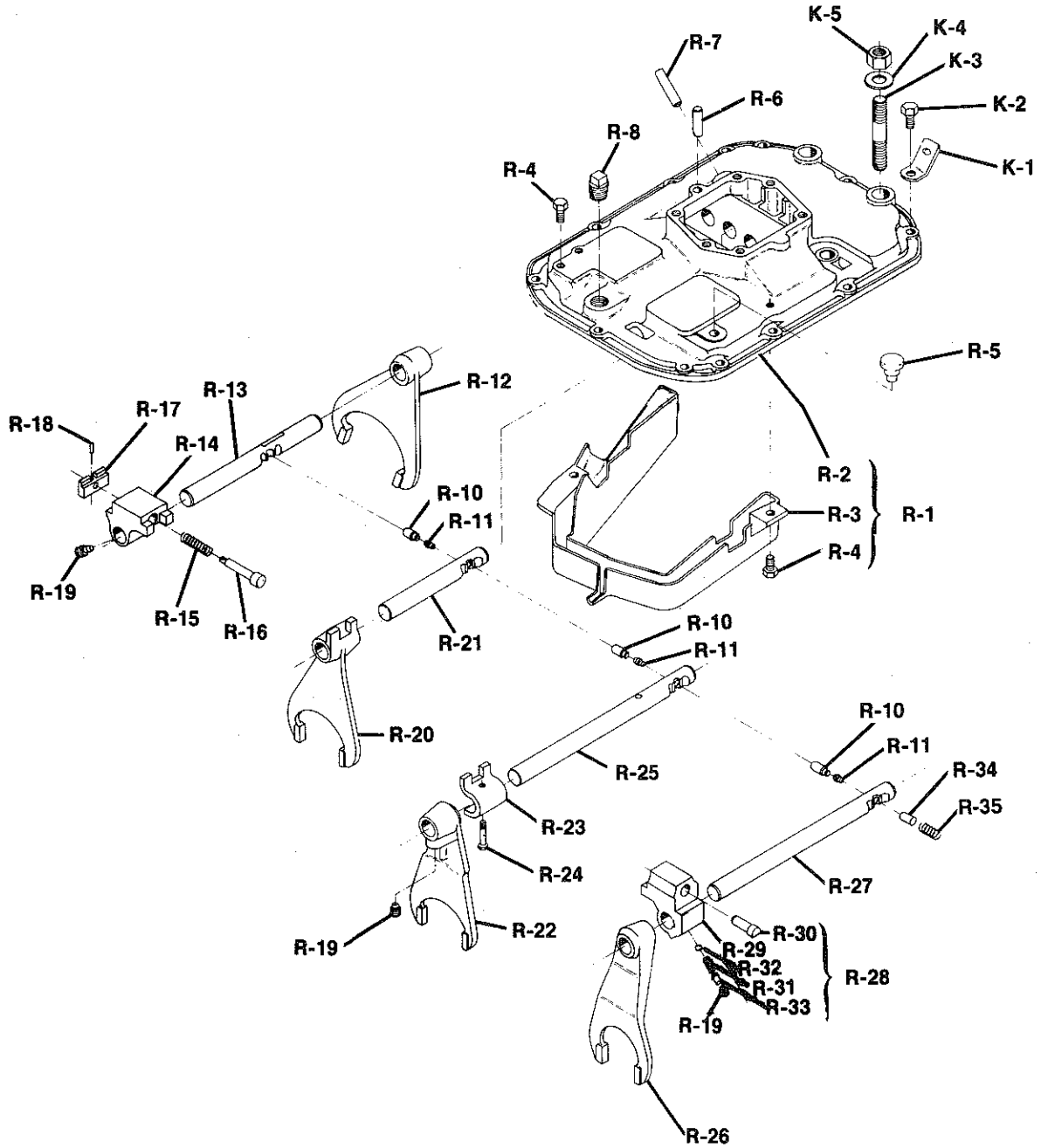
PARTS LISTED IN THIS CATALOG MAY NO LONGER BE AVAILABLE, USE WITH TRANSMISSION SUPERSEDING LIST.

MODEL 9072 SHIFTER HOUSING ASSEMBLY



T210-9072

CENTER CONTROL





MODEL 9072

SHIFTER HOUSING ASSEMBLY CENTER CONTROL

T210-9072

Ref. No.	Part Number	Part Description	Qty.
	See Tab Bills	Shifter Housing Assembly	1
R-1	97-16-79-1X	Shifter Housing and Oil Trough Assembly	1
R-2	N.S.S.	Shifter Housing	1
R-3	330918	Oil Trough	1
R-4	330800	Bolt—3/8"-16 x 3/4" flanged self-locking	3
R-5	312268	Breather	1
R-6	545000	Blocker	1
R-7	330739-1	Pin—Backup light	1
R-8	500114	Oil Return Hole Plug	1
N.S.	545056-5	Anaerobic Sealant	A/R
		For All Shift Forks and Rods	
R-10	97-12-2	Interlock—Shift Rod	3
R-11	97-438-19	Pin—Interlock	3
		First and Reverse Shift Rod Group	
R-12	97-66-53	Shift Fork	1
R-13	97-67-230	Shift Rod	1
R-14	97-354-11	Shift Rod Bracket	1
R-15	97-72-2	Spring—Plunger	1
R-16	97-438-1	Plunger	1
R-17	330736	Block—Shift bracket	1
R-18	500593-6	Pin—Plunger	1
R-19	545063	Screw—7/16"-20 x 3/4"	6
		Second and Third Shift Rod Group	
R-20	97-66-24	Shift Fork	1
R-21	97-67-231	Shift Rod	1
		Fourth and Fifth Shift Rod Group	
R-22	97-66-11	Shift Fork	1
R-23	97-354-27	Shift Rod Bracket	1
R-24	545072	Bolt—1/4"-28 x 1 3/8" hex head self-locking	1
R-25	97-67-232	Shift Rod	1
		Sixth and Seventh Shift Rod Group	
R-26	97-66-102	Shift Fork	1
R-27	97-67-233	Shift Rod	1
R-28	97-354-21-3X	Shift Rod Bracket Assembly—6th and 7th	1
R-29	97-354-21	Shift Rod Bracket	1
R-30	97-438-17	Plunger	1
R-31	97-72-28	Spring—plunger	1
R-32	50-80-9	Poppet ball	1
R-33	97-438-20	Pin—Spring pilot	1
R-34	97-12-4	Poppet	1
R-35	97-72-29	Spring—poppet	1
		Parts Listed Below are not Included in Assembly	
K-1	330564-1	Lift Hook	4
K-2	545002-4	Bolt—3/8"-16 x 1 1/8" hex head self-locking	10
K-3	330360-18	Stud—5/8"-11 and 5/8"-18 x 4"	2
or	330360-15	Stud—5/8"-11 and 5/8"-18 x 3 1/2"	2
K-4	500365-43	Washer—5/8" flat	2
K-5	500371-7	Nut—5/8"-18	2
N.S.	545028-4	Cover Bolt—7/16"-14 x 1 1/8" hex head self-locking	6
N.S.	545056-5	Anaerobic Sealant	A/R

PARTS LISTED IN THIS CATALOG MAY NO LONGER BE AVAILABLE, USE WITH TRANSMISSION SUPERSEDING LIST.

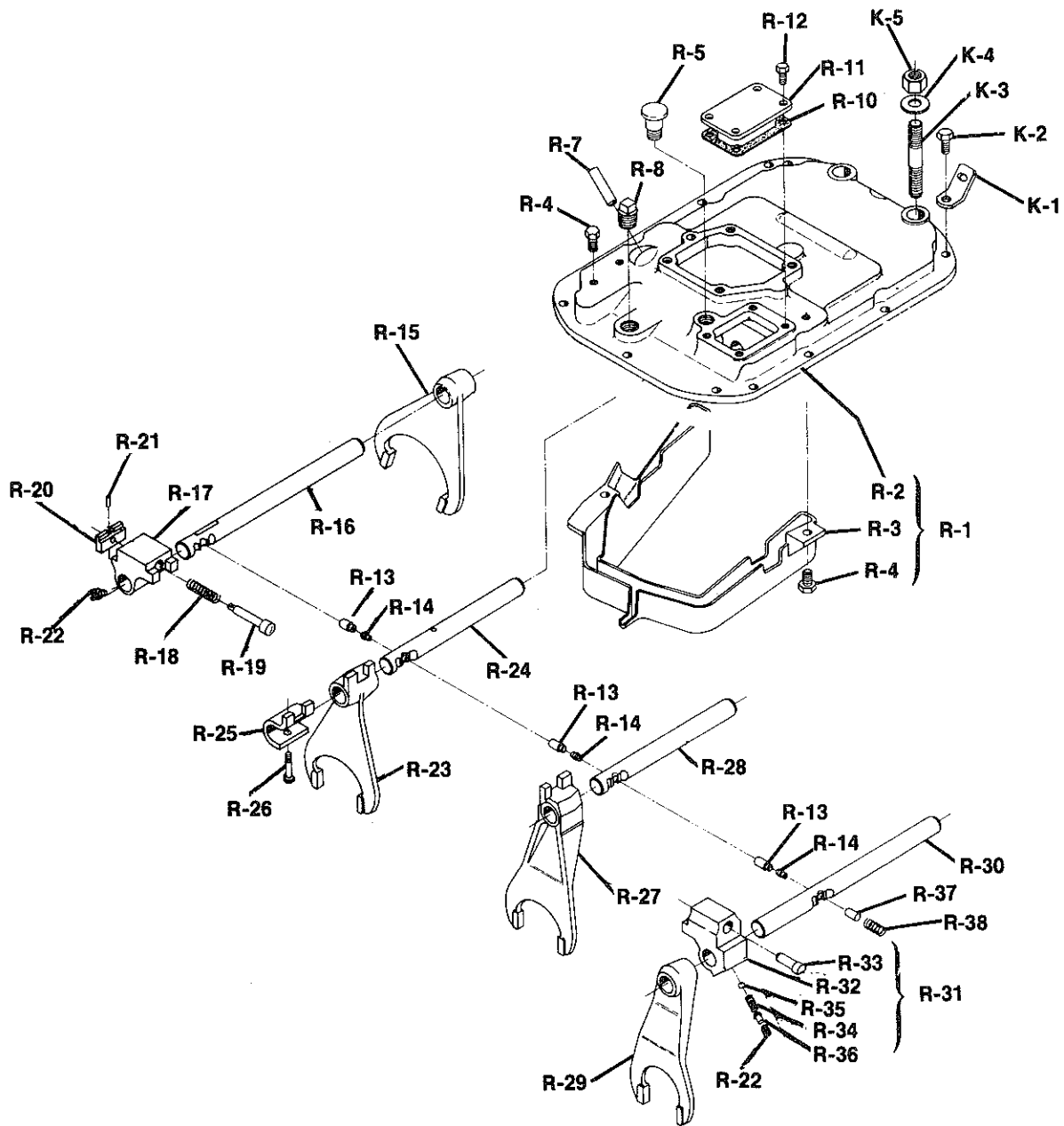
MODEL 9072

SHIFTER HOUSING ASSEMBLY



T210-9072

FORWARD CONTROL





MODEL 9072

SHIFTER HOUSING ASSEMBLY FORWARD

T210-9072

Ref. No.	Part Number	Part Description	Qty.
	See Tab Bills	Shifter Housing Assembly	1
R-1	97-16-79-1X	Shifter Housing and Oil Trough Assembly	1
R-2	N.S.S.	Shifter Housing	1
R-3	330918	Oil Trough	1
R-4	330800	Bolt—3/8"-16 x 3/4" flanged self-locking	3
R-5	312268	Breather	1
R-6	545000	Blocker	1
R-7	330739-1	Pin—Backup light	1
R-8	500114	Oil Return Plug	1
N.S.	545056-5	Anaerobic Sealant	A/R
R-10	97-223-4	Gasket	1
R-11	97-96-2	Cover—Shifter housing Aperture Cover	1
R-12	545005-1	Bolt—5/16"-18 x 5/8" hex head self-locking	4
		For All Shift Forks and Rods	
R-13	97-12-2	Interlock—Shift Rod	3
R-14	97-438-19	Pin—Interlock	3
		First and Reverse Shift Rod Group	
R-15	97-66-53	Shift Fork	1
R-16	97-67-234	Shift Rod	1
R-17	97-354-11	Shift Rod Bracket	1
R-18	97-72-2	Spring—Plunger	1
R-19	97-438-1	Plunger	1
R-20	330736	Block—Shift bracket	1
R-21	500593-6	Pin—Plunger	1
R-22	545063	Screw—7/16"-20 x 3/4"	6
		Second and Third Shift Rod Group	
R-23	97-66-122	Shift Fork	1
R-24	97-67-235	Shift Rod	1
R-25	97-354-27	Shift Rod Bracket	1
R-26	545072	Bolt—1/4"-28 x 3/8" hex head self-locking	1
		Fourth and Fifth Shift Rod Group	
R-27	97-66-104	Shift Fork	1
R-28	97-67-236	Shift Rod	1
		Sixth and Seventh Shift Rod Group	
R-29	97-66-102	Shift Fork	1
R-30	97-67-284	Shift Rod	1
R-31	97-354-21-3X	Shift Rod Bracket Assembly—6th and 7th	1
R-32	97-354-21	Shift Rod Bracket	1
R-33	97-438-17	Plunger	1
R-34	97-72-28	Spring—plunger	1
R-35	50-80-9	Poppet ball	1
R-36	97-438-20	Pin—Spring pilot	1
R-37	97-12-4	Poppet	1
R-38	97-72-29	Spring—poppet	1
		Parts Listed Below are not Included in Assembly	
K-1	330564-1	Lift Hook	4
K-2	545002-4	Bolt—3/8"-16 x 1 1/8"	10
K-3	330360-18	Stud—5/8"-11 and 5/8"-18 x 4"	2
or	330360-15	Stud—5/8"-11 and 5/8"-18 x 3 1/2"	2
K-4	500365-43	Washer—5/8" flat	2
K-5	500371-7	Nut—5/8"-18	2
N.S.	545028-4	Cover Bolt—7/16"-14 x 1 1/8" hex head self-locking	6
N.S.	545056-5	Anaerobic Sealant	A/R

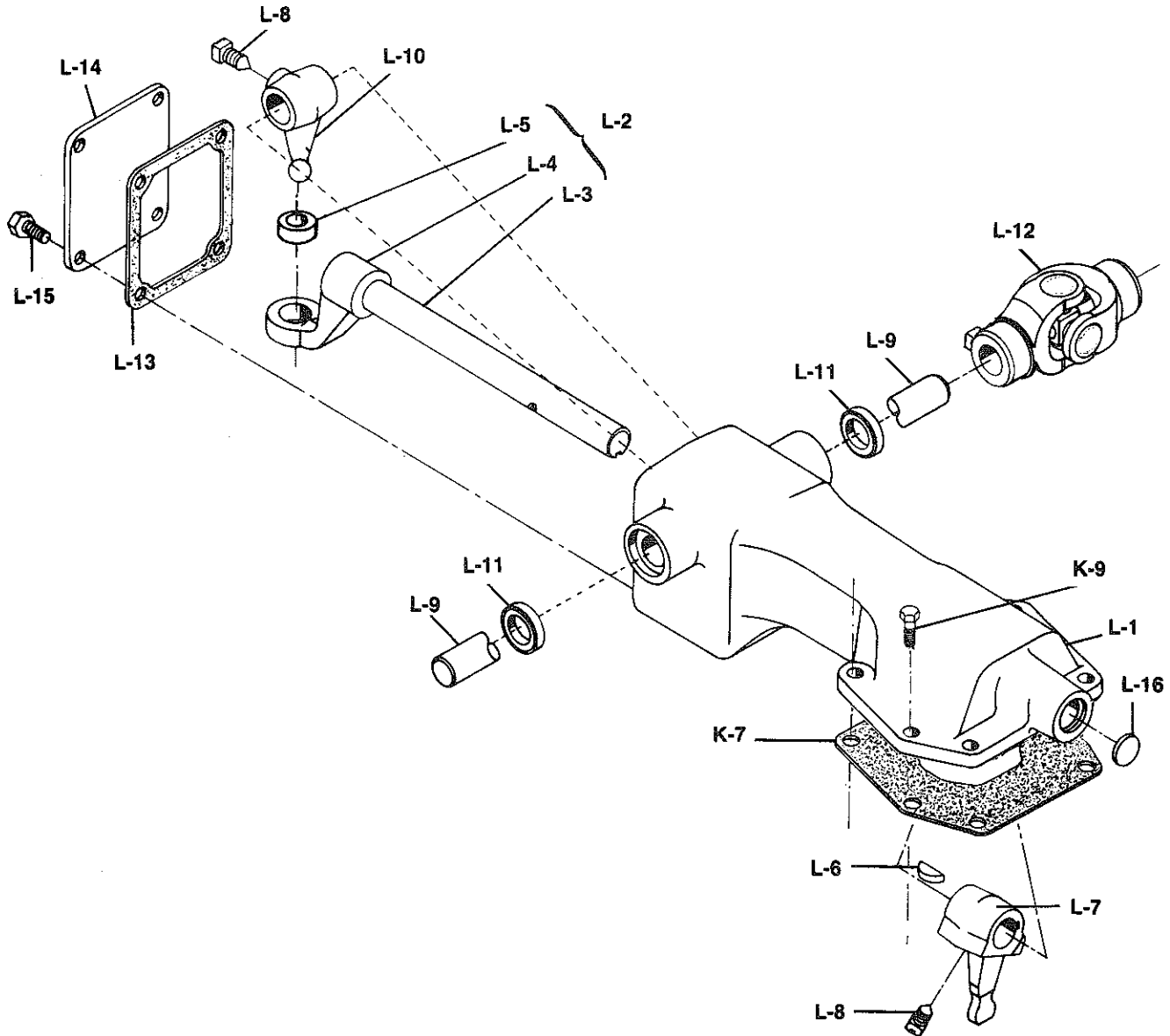
PARTS LISTED IN THIS CATALOG MAY NO LONGER BE AVAILABLE, USE WITH TRANSMISSION SUPERSEDING LIST.

MODEL 9072

REMOTE CONTROL ASSEMBLY HIGH ROD TYPE

SPICER®
DANA

T210-9072





MODEL 9072

REMOTE CONTROL ASSEMBLY

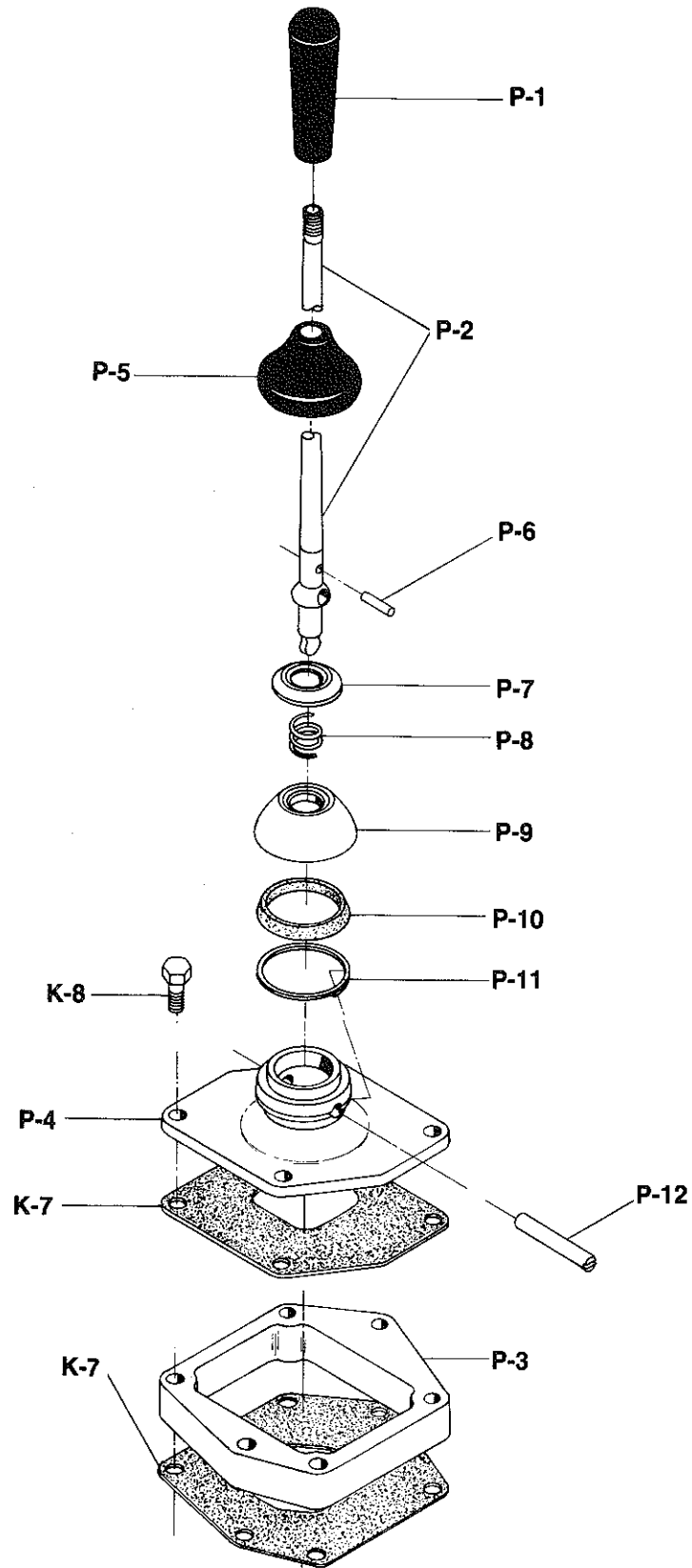
T210-9072

Ref. No.	Part Number	Part Description	8049X	97-18-4-2X	97-18-6-2X	73-16-3-1X	312752-2X	85-16-42-2X	311890-1X	97-18-3-2X
	See Tabs Bills	Cover and Joint Assembly—Remote Control	1	1	1	1	1	1	1	1
	311866X	Cover Assembly	1							
	312755X	Cover Assembly					1			
	311914X	Cover Assembly				1			1	
	97-18-16-1X	Cover Assembly			1					
	85-16-42-1X	Cover Assembly—(Rotated 180 degrees and Welded)						1		
	97-18-3-1X	Cover Assembly								1
	97-18-4-1X	Cover Assembly		1						
L-1	N.S.S.	Remote Control Cover	1	1	1	1	1	1	1	1
N.S.	82-24-3	Bushing—Remote Control Cover	4	4	4	4	4	4	4	4
L-2	8039X	Shift Finger Rod and Bracket Assembly	1							
	311888X	Shift Finger Rod and Bracket Assembly				1			1	
	312754X	Shift Finger Rod and Bracket Assembly					1			
	97-65-39-1X	Shift Finger Rod and Bracket Assembly		1						
	97-65-41-1X	Shift Finger Rod and Bracket Assembly			1					
	85-65-11-1X	Shift Finger Rod and Bracket Assembly						1		
	97-65-32-1X	Shift Finger Rod and Bracket Assembly								1
L-3	N.S.S.	Rod- Shift Finger	1	1	1	1	1	1	1	1
L-4	N.S.S.	Bracket—Shift Finger	1	1	1	1	1	1	1	1
L-5	85-24-4	Bushing—Shift Bracket	1	1	1	1	1	1	1	1
L-6	500007-19	Woodruff Key #11	1	1	1	1	1	1	1	1
L-7	82-6-9	Finger—Inner Shift	1	1	1	1	1	1	1	1
L-8	545063	Bolt—7/16"-20 x 13/16" Hex-head self-locking	2	2	2	2	2	2	2	2
L-9	82-65-5	Rod—Remote Control	1	1	1	1		1	1	1
	82-65-22	Rod—Remote Control					1			
L-10	82-6-7	Finger—Outer Shaft	1	1	1	1	1	1	1	1
L-11	28P-19	Seal—Remote Control Shift Rod	2	2	2	2	2	2	2	2
L-12	10380-SF	U-Joint Assembly—Control Rod	1				1	1	1	1
	904388	U-Joint Assembly—Control Rod		1	1	1				
L-13	82-118-1	Gasket—Aperture Cover	1	1	1	1	1	1	1	1
L-14	82-96-1	Aperture Cover	1	1	1	1	1	1	1	1
L-15	545005-1	Bolt—5/16"-18 x 5/8" Hex head self-locking	4	4	4	4	4	4	4	4
L-16	500166-16	Expansion Plug—1 1/16"	1	1	1	1	1	1	1	1
N.S.	311903X	Boot Kit—Remote Control	1	1		1	1		1	
N.S.	82-483-1	Boot—standard	1	1		1	1		1	
N.S.	82-432-2	Boot—cup type	1	1		1	1		1	
N.S.	LW-3-9	Lockwire #18-M Gage (19" long)	3	3		3	3		3	
N.S.	313259	Valve—Road Speed Governor Control		1	1					
		Parts Listed Below Are Not Included In Assembly								
K-7	97-155-12	Gasket—remote control cover	1	1	1	1	1	1	1	1
K-9	545028-4	Bolt 7/16"—14 x 1-1/8" hex head self-locking	6	6	6	6	6	6	6	6

PARTS LISTED IN THIS CATALOG MAY NO LONGER BE AVAILABLE, USE WITH TRANSMISSION SUPERSEDING LIST.

MODEL 9072

SHIFT LEVER AND TOWER PARTS





Ref. No.	Part Number	Part Description	311265X	85-16-37-17X	97-16-27-71X
P-1	See Tab Bills 39Q-27	Shift Lever and Dome Assembly	1	1	1
	39Q-29	Handle—Shift Lever	1	1	—
P-2	25Q-1223	Handle—Shift Lever	—	—	1
	25Q-1570	Shift Lever—length 35 1/2" straight	1	—	—
	25Q-1702-83	Shift Lever—length 33" straight	—	1	—
		Shift Lever—length 27 3/4" bent	—	—	1
P-3	85-37-9	Spacer—Dome to shifter housing	—	1	—
K-7	97-155-12	Gasket—center (6 holes)	4	—	—
K-8	545028-4	Bolt—7/16"-14 x 1 1/8" Hex head self-locking	4	—	—
	82-16-19X	Dome Assembly—(center) (Includes P-4 thru P-12)	1	—	—
	85-16-37X	Dome Assembly—(center) (Includes P-4 thru P-12)	—	—	1
	97-16-27X	Dome Assembly—(forward)(Includes P-4 thru P-12)	—	—	1
P-4	82-16-19	Dome—shift lever—2 5/32" height	1	—	—
	85-16-37	Dome—shift lever—3 5/32" height	—	1	—
	97-16-27	Dome—shift lever—3 5/8" height	—	—	1
P-5	55Q-5	Grommet—shift lever	1	1	1
P-6	286-SP	Pin—shift lever collar	1	1	1
P-7	55Q-7	Collar—compression	1	1	1
P-8	56Q-25	Spring—compression	1	1	1
P-9	54Q-13	Cap—compression	1	1	1
P-10	69Q-6	Wahser—friction	1	1	1
P-11	62-381-17	Snap Ring—rock shaft	1	1	1
P-12	53Q-15	Shaft—shift lever rock	1	1	1
Parts Listed Below are not included in Assembly					
K-7	97-155-12	Gasket—dome to shifter housing (6 holes)	—	1	—
	97-155-13	Gasket—dome to shifter housing (4 holes)	—	—	1
K-8	545028-4	Bolt—7/16"-14 x 1 1/8" Hex head self-locking	4	4	4

MODEL 9072

SPICER®



T210-9072

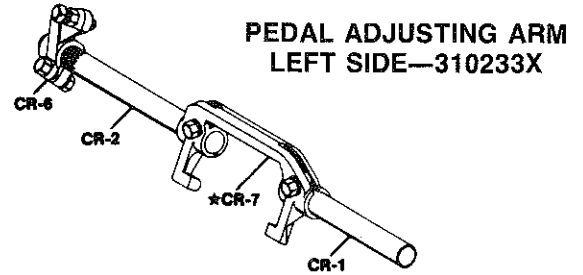
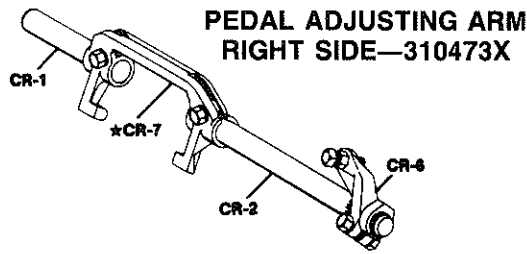
CLUTCH RELEASE CODE TABLE

Rel.Code See Tab Bill	CR-7 Yoke ★	Shaft		CR-6 Pedal Adjusting Arm	Rel.Code See Tab Bill	CR-7 Yoke ★	Shaft		CR-6 Pedal Adjusting Arm
		CR-1 Short	CR-2 Long				CR-1 Short	CR-2 Long	
1	105C-64	106C-1142	106C-1047	310233X	58	105C-137	106C-1141	106C-1169	310233X
2	105C-64	106C-1185	106C-438	—	59	105C-137	106C-1185	106C-438	—
3	105C-64	106C-1185	106C-939	310233X	60	105C-137	106C-1185	106C-617	310233X
4	105C-64	106C-1185	106C-1046	310233X	61	105C-137	106C-1185	106C-839	310233X
5	105C-64	106C-1185	106C-1047	310233X	62	105C-137	106C-1185	106C-939	310233X
6	105C-64	106C-1185	106C-1047	47-526-1-1X	63	105C-137	106C-1185	106C-939	310473X
7	105C-64	106C-1544	106C-839	310233X	64	105C-137	106C-1185	106C-953	310473X
					65	105C-137	106C-1185	106C-1046	310233X
8	105C-68	106C-1142	106C-438	—	66	105C-137	106C-1185	106C-1046	310473X
9	105C-68	106C-1142	106C-617	—	67	105C-137	106C-1185	106C-1047	310233X
10	105C-68	106C-1142	106C-617	310233X	68	105C-137	106C-1185	106C-1083	310233X
11	105C-68	106C-1142	106C-839	310233X	69	105C-137	106C-1185	106C-1094	—
12	105C-68	106C-1142	106C-939	310233X	70	105C-137	106C-1185	106C-1094	310233X
13	105C-68	106C-1142	106C-1046	310233X	71	105C-137	106C-1185	106C-1123	—
14	105C-68	106C-1142	106C-1047	310233X	72	105C-137	106C-1185	106C-1123	310233X
15	105C-68	106C-1278	106C-438	—	73	105C-137	106C-1185	106C-1367	—
					74	105C-137	106C-1185	106C-1367	310233X
16	105C-117	106C-1071	106C-939	310233X	75	105C-137	106C-1185	106C-1375	310873X
17	105C-117	106C-1071	106C-1094	310233X	76	105C-137	106C-1185	106C-1515	—
18	105C-117	106C-1142	106C-939	310233X	77	105C-137	106C-1185	106C-1529	—
19	105C-117	106C-1185	106C-438	—	78	105C-137	106C-1185	330610-5	—
20	105C-117	106C-1185	106C-617	310233X	79	105C-137	106C-1216	106C-617	310233X
21	105C-117	106C-1185	106C-839	47-526-1-1X	80	105C-137	106C-1278	106C-438	—
22	105C-117	106C-1185	106C-939	310233X	81	105C-137	106C-1278	106C-588	—
23	105C-117	106C-1185	106C-953	310873X	82	105C-137	106C-1278	106C-588	310233X
24	105C-117	106C-1185	106C-960	310233X	83	105C-137	106C-1278	106C-617	310233X
25	105C-117	106C-1185	106C-1046	310233X	84	105C-137	106C-1278	106C-939	310233X
26	105C-117	106C-1185	106C-1047	310233X	85	105C-137	106C-1278	106C-939	310873X
27	105C-117	106C-1185	106C-1083	—	86	105C-137	106C-1278	106C-960	310233X
28	105C-117	106C-1185	106C-1083	310233X	87	105C-137	106C-1278	106C-1046	—
29	105C-117	106C-1185	106C-1083	310473X	88	105C-137	106C-1278	106C-1046	310233X
30	105C-117	106C-1185	106C-1094	310233X	89	105C-137	106C-1278	106C-1047	—
31	105C-117	106C-1185	106C-1094	310873X	90	105C-137	106C-1278	106C-1047	310233X
32	105C-117	106C-1185	106C-1169	310233X	91	105C-137	106C-1278	106C-1083	310233X
33	105C-117	106C-1185	106C-1315	—	92	105C-137	106C-1278	106C-1094	310233X
34	105C-117	106C-1185	106C-1315	310233X	93	105C-137	106C-1278	106C-1375	310233X
35	105C-117	106C-1185	106C-1315	47-526-1-1X	94	105C-137	106C-1278	106C-1422	310233X
36	105C-117	106C-1185	106C-1417	310233X	95	105C-137	106C-1278	106C-1529	—
37	105C-117	106C-1185	106C-1417	310873X	96	105C-137	106C-1360	106C-1083	—
38	105C-117	106C-1185	106C-1490	310233X	97	105C-137	106C-1360	106C-1422	310233X
39	105C-117	106C-1278	106C-939	310233X	98	105C-137	106C-1375	106C-438	310233X
40	105C-117	106C-1278	106C-960	310873X	99	105C-137	106C-1498	106C-438	—
41	105C-117	106C-1278	106C-1047	310233X	100	105C-137	106C-1498	106C-617	310233X
42	105C-117	106C-1278	106C-1094	310233X	101	105C-137	106C-1498	106C-617	310473X
43	105C-117	106C-1278	106C-1315	310233X	102	105C-137	106C-1498	106C-939	310233X
44	105C-117	106C-1278	106C-1367	310233X	103	105C-137	106C-1498	106C-939	310473X
45	105C-117	106C-1360	106C-1083	310233X	104	105C-137	106C-1498	106C-953	310233X
46	105C-117	106C-1360	106C-1315	310233X	105	105C-137	106C-1498	106C-959	310233X
47	105C-117	Thru Shaft	106C-1550	—	106	105C-137	106C-1498	106C-1046	310233X
48	105C-117	Thru Shaft	106C-1558	—	107	105C-137	106C-1498	106C-1047	—
					108	105C-137	106C-1498	106C-1047	310233X
49	105C-124	106C-1185	106C-438	—	109	105C-137	106C-1498	106C-1083	310233X
50	105C-124	Thru Shaft	106C-1566	310233X	110	105C-137	106C-1498	106C-1094	—
51	105C-124	Thru Shaft	106C-1566	310473X	111	105C-137	106C-1498	330610-11	310233X
52	105C-124	Thru Shaft	106C-1566	310873X	112	105C-137	330601-1	106C-939	310233X
52A	105C-124	Thru Shaft	49-510-1	310233X					
53	105C-132	106C-1185	106C-1047	310233X	113	85-509-3	106C-1360	106C-1417	310233X
54	105C-132	106C-1185	106C-1083	310233X	114	85-509-3	Thru Shaft	106C-1578	310233X
55	105C-132	106C-1185	106C-1417	310873X	115	85-509-3	Thru Shaft	106C-1578	310873X
56	105C-132	106C-1185	46-510-9	—					
57	105C-132	106C-1278	46-510-9	—	116	312916	Thru Shaft	97-510-2	—

■ Use Clutch Release Bearing 7743X

★ CLUTCH RELEASE YOKE ATTACHING PARTS—Use one KEY 10-30, two SCREWS 330231 and two LOCK WASHERS 500356-12

PARTS LISTED IN THIS CATALOG MAY NO LONGER BE AVAILABLE, USE WITH TRANSMISSION SUPERSEDING LIST.



CR-1 SHORT SHAFT	
Part No.	Length
106C-1071	4.062"
106C-1141	5.125"
106C-1142	6.125"
106C-1185	5.750"
106C-1216	4.750"
106C-1278	4.812"
106C-1360	5.312"
106C-1375	6.781"
106C-1498	6.500"
106C-1544	7.000"
330601-1	6.250"

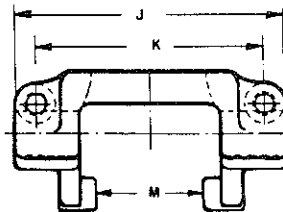
CR-2 LONG SHAFT (Cont'd)		
Part No.	Type	Length
106C-1083	RS-8	7.969"
106C-1094	RS-8	8.469"
106C-1123	RS-8	12.968"
106C-1169	RS-8	9.125"
106C-1315	RS-8	7.625"
106C-1367	RS-8	10.312"
106C-1375	RS-8	6.781"
106C-1417	RS-8	7.250"
106C-1422	RS-8	7.500"
106C-1490	RS-8	16.000"
106C-1515	RS-5	11.375"
106C-1529	RS-5	8.312"
330610-5	RS-8	9.469"
330610-11	RS-8	10.750"
46-510-9	RS-5	7.125"



CR-2 LONG SHAFT		
Part No.	Type	Length
106C-438	RS-5	14.000"
106C-588	RS-5	7.000"
106C-617	RS-8	10.469"
106C-839	RS-8	11.469"
106C-939	RS-8	10.000"
106C-953	RS-8	9.750"
106C-959	RS-8	11.968"
106C-960	RS-8	8.719"
106C-1046	RS-8	8.968"
106C-1047	RS-8	9.469"

CR-6 PEDAL ADJ. ARM	
310233X	For Left Side Mtg.
310473X	For Right Side Mtg.
47-526-1-1X	Lever Type 7 1/4"
310873X	Lever Type 7 1/4"
■Lever type can be used on either right or left side.	

THRU SHAFT (used with Push Type Clutch)		
Part No.	Type	Length
106C-1566	Splined	19.125"
106C-1550	Keyed	16.375"
106C-1558	Keyed	19.000"
106C-1578	Splined	19.500"
49-510-1	Keyed	19.120"
97-510-2	Splined	19.313"



CLUTCH RELEASE YOKES						
CR-7	Forging No.	Used With	Type	J	K	M
105C-64	F105C64	Spicer 15 1/2" SP	Pull	8.000"	6.500"	4.895"
105C-68	F105C99	Spicer 14" SP	Pull	7.125"	5.750"	4.132"
105C-117 ¹	F105C118	Spicer & Others	Push	8.375"	7.000"	4.885"
105C-124	F105C125	Spicer AL & AR	Push	3.750"	2.125"	2.885"
105C-132 ²	F105C118	Spicer & Others	Push	8.375"	7.000"	4.885"
105C-137	F105C138	Spicer 13" and	Pull	8.000"	6.500"	4.895"
	C105C138	14" 2P				
85-509-3 ³	F105C118	Spicer & Others	Push	8.375"	7.000"	4.885"

¹Machined washer surface on yoke front
²Machined washer surface on yoke rear (for clearance)
³Same as ¹ above except contains spring holes in lugs
 ■ Use 7743X Clutch Release Bearing

★ CLUTCH RELEASE YOKE ATTACHING PARTS—
 Use one KEY 10-30, two SCREWS 330231 and two LOCK
 WASHERS 500356-12
 NOTE: When changing from a two plate to single plate clutch or
 vice versa, a different bearing cap will be required.

MODEL 9072

SPICER®



T210-9072

SERVICE PARTS OVERHAUL KITS

Part Number	Part Description	313400-49X	313400-50X	313400-51X
Major Overhaul Kits				
	For 1.75"-10 #205 Pilot Input Shaft	1	—	—
	For 1.75"-10 #306 Pilot Input Shaft	—	1	—
	For 2.00"-10 #306 Pilot Input Shaft	—	—	1
Included only in Major Overhaul Kits				
500010-8	Woodruff Key #29	12	12	12
545065	Nut—Mainshaft (1.75"-16 SAE thread)	1	1	1
500566-8	Ball—Reverse Idler Shaft	2	2	2
97-35-81	Input Shaft—1.75"-10 #205 Pilot	1	—	—
97-35-66	Input Shaft—1.75"-10 #306 Pilot	—	1	—
97-35-65	Input Shaft—2.00"-10 #306 Pilot	—	—	1
313432-14X	Minor Overhaul Kit	1	1	1
313429-8X	Shifter Housing Small Parts Kit	1	1	1
313401-26X	Thrust Washer Kit	1	1	1
313432-14X	Minor Overhaul Kit (Included in Major Overhaul Kits)	1	1	1
Bearings				
550959	Countershaft Front and Rear	4	4	4
550886	Reverse Idler Shaft	4	4	4
550953	Drive Gear Pocket	1	1	1
550992	Drive Gear Front	1	1	1
550925	Mainshaft Rear	1	1	1
97-463-36-1X	Oil Seal—Drive gear bearing cap	1	1	1
	(Includes installation sleeve and 2815 installation bulletin)			
97-463-33	Oil Seal—Mainshaft Rear Bearing Cap	1	1	1
545077	Packet #2 Molly Grease	1	1	1
545080-1	Anaerobic Sealant (0.5cc)	1	1	1
2770	Bearing Lube Instructions	1	1	1
2775	Pocket Bearing Installation	1	1	1
2783	Anaerobic Sealant Application for Mainshaft nut	1	1	1
2358	Maintenance Manual	1	1	1
312475-33X	Gasket Kit	1	1	1
313024-16X	Snap Ring Kit	1	1	1
312475-33X	Gasket Kit (Included in Major and Minor Overhaul Kits)	1	1	1
545056-9	Anaerobic Sealant—24cc tube	1	1	1
97-155-12	Gasket—Control Housing (Center Control)	1	1	1
97-155-13	Gasket—Control Housing (Forward Control)	1	1	1
97-223-1	Gasket—Drive Gear Bearing Cap	1	1	1
97-223-2	Gasket—Mainshaft Rear Bearing Cap	1	1	1
82-118-1	Gasket—Remote Control Aperture Cover	1	1	1
2754	Bulletin—Liquid Gasket	1	1	1
2770	Bulletin—Pocket Bearing Lube Instructions	1	1	1
2783	Bulletin—Mainshaft Nut	1	1	1

PARTS LISTED IN THIS CATALOG MAY NO LONGER BE AVAILABLE, USE WITH TRANSMISSION SUPERSEDING LIST.



MODEL 9072

SERVICE PARTS OVERHAUL KITS

T210-9072

Part Number	Part Description	313400-49X	313400-50X	313400-51X
313429-8X	Shifter Housing Small Parts Kit (Included in Major Overhaul Kits)	1	1	1
97-12-2	Interlock	3	3	3
97-438-19	Pin—Interlock	3	3	3
97-438-1	Plunger	1	1	1
97-12-4	Poppet	1	1	1
330739-1	Pin—Backup light	1	1	1
500593-6	Pin—Plunger	1	1	1
545000	Blocker Pin—(Center Control Shifter Housing only)	1	1	1
545010	Blocker Pin—(Forward Control Shifter Housing only)	1	1	1
NP-201	Warranty Plate	1	1	1
97-72-2	Spring—Plunger	1	1	1
97-72-29	Spring—Poppet	1	1	1
313401-26X	Thrust Washer Kit (Included in Major Overhaul Kits)	1	1	1
330810	Mainshaft—external—large (24T)	2	2	2
330814	Mainshaft—external—small (20T)	5	5	5
330730	Mainshaft—internal—small (15T)	5	5	5
330869	Mainshaft—internal—large (18T)	3	3	3
313024-16X	Snap Ring Kit (Included in Major and Minor Overhaul Kits)	1	1	1
97-381-1	Mainshaft—internal—small	5	5	5
97-381-4	Mainshaft—external—small	5	5	5
97-381-2	Drive Gear	1	1	1
54-381-1	Countershaft	4	4	4
98-381-1	Mainshaft—external—large	3	3	3
98-381-2	Mainshaft—internal—large	1	1	1
97-381-33	Countershaft	2	2	2
97-381-42	Input Shaft	1	1	1
97-381-32	Reverse Gear	2	2	2
97-381-41	Input Shaft Bearing Cap	1	1	1

PARTS LISTED IN THIS CATALOG MAY NO LONGER BE AVAILABLE, USE WITH TRANSMISSION SUPERSEDING LIST.

MODEL 9072

SPICER®



T210-9072

TABULATED BILLS OF MATERIAL

Tab No.	Used By	For Use With Clutch	CLUTCH HOUSING			Drive Gear Input Shaft A-1	Drive Gear Bearing Cap Assembly F-2	Main Case Assembly G-1
			S A E	Assembly No. E-2	Rel. Code Pages 19			
Model 9072								
301321								
-1	Navistar	Pull Type	1	97-518-16-1X	—	97-35-65-1X	97-19-52-1X	97-15-54-1X
-2	General Use	Pull Type	1	97-518-16-1X	—	97-35-65-1X	97-19-52-1X	97-15-54-1X
-3	General Use	Pull Type	2	97-518-49-1X	—	97-35-65-1X	97-19-52-1X	97-15-54-1X
-4	General Use	Pull Type	2	97-518-18-1X	—	97-35-66-1X	97-19-52-1X	97-15-54-1X
-5	Navistar	Pull Type	2	312795X	—	97-35-81-1X	97-19-52-1X	97-15-54-1X
-6	Peterbilt	Pull Type	1	97-518-16-1X	—	97-35-65-1X	97-19-52-1X	97-15-54-1X
-7	Navistar	Pull Type	2	312795X	—	97-35-81-1X	97-19-52-1X	97-15-54-1X
-8	General Use	Pull Type	2	97-518-14-1X	62	97-35-66-1X	97-19-52-1X	97-15-54-1X
-9	General Use	Pull Type	2	97-518-14-1X	62	97-35-65-1X	97-19-52-1X	97-15-54-1X
-10	Navistar	Pull Type	1	97-518-16-1X	—	97-35-65-1X	97-19-52-1X	97-15-54-1X
-11	Drivetrain-Aust.	Pull Type	1	97-518-16-1X	—	97-35-65-1X	97-19-52-1X	97-15-54-1X
-12	General Use	Pull Type	1	97-518-16-1X	62	97-35-65-1X	97-19-52-1X	97-15-54-1X
-13	Ford	Pull Type	1	97-518-16-1X	—	97-35-65-1X	97-19-52-1X	97-15-54-1X
-14	Ford	Pull Type	1	97-518-16-1X	—	97-35-65-1X	97-19-52-1X	97-15-54-1X
-15	Ford	Pull Type	1	97-518-16-1X	—	97-35-65-1X	97-19-52-1X	97-15-54-1X
-16	Navistar	Pull Type	2	312795X	—	97-35-81-1X	97-19-52-1X	97-15-54-1X
-17	Navistar	Pull Type	2	312795X	—	97-35-81-1X	97-19-52-1X	97-15-54-1X
-18	Mack	Pull Type	1	97-518-28-1X	—	97-35-66-1X	97-19-52-1X	97-15-54-1X
-19	Mack	Pull Type	2	97-518-14-1X	62	97-35-65-1X	97-19-52-1X	97-15-54-1X
-20	Kenworth	Pull Type	1	97-518-16-1X	100	97-35-65-1X	97-19-52-1X	97-15-54-1X
-21	Volvo GM	Pull Type	1	97-518-25-1X	—	97-35-65-1X	97-19-52-1X	97-15-54-1X
-22	Freightliner	Pull Type	1	97-518-25-1X	—	97-35-65-1X	97-19-52-1X	97-15-54-1X
-23	Volvo GM	Pull Type	1	97-518-25-1X	—	97-35-65-1X	97-19-52-1X	97-15-54-1X
-24	Volvo GM	Pull Type	1	97-518-25-1X	—	97-35-65-1X	97-19-52-1X	97-15-54-1X
-25	Kenworth	Pull Type	1	97-518-16-1X	100	97-35-65-1X	97-19-52-1X	97-15-54-1X
-26	Ford	Pull Type	2	312795X	—	97-35-66-1X	97-19-52-1X	97-15-54-1X
-27	Volvo GM	Pull Type	1	97-518-25-1X	—	97-35-65-1X	97-19-52-1X	97-15-54-1X
-28 ★	Isuzu	Pull Type	2	97-518-18-1X	62	97-35-66-1X	97-19-52-1X	97-15-54-1X
-29	Isuzu	Pull Type	2	97-518-14-1X	—	97-35-81-1X	97-19-52-1X	97-15-54-1X
-30	Crane Carrier	Pull Type	2	97-518-14-1X	—	97-35-65-1X	97-19-52-1X	97-15-54-1X
-31	Ford	Pull Type	1	97-518-16-1X	—	97-35-65-1X	97-19-52-1X	97-15-54-1X
-32	Mack	Pull Type	2	97-518-49-1X	—	97-35-66-1X	97-19-52-1X	97-15-54-1X
-33	Volvo GM	Pull Type	1	97-518-25-1X	—	97-35-65-1X	97-19-52-1X	97-15-54-1X
-34	Volvo GM	Pull Type	1	97-518-25-1X	—	97-35-65-1X	97-19-52-1X	97-15-54-1X

★ With Clutch Brake Assembly 125237

■ With 97-454-2-1X which has (1) each 97-454-2 Speedometer Sleeve and 97-463-34 Oil Seal

PARTS LISTED IN THIS CATALOG MAY NO LONGER BE AVAILABLE, USE WITH TRANSMISSION SUPERSEDING LIST.



Tab No.	Mainshaft Rear Bearing Cap Assembly H-2 (incl. Bushing, Seal)	SPEEDOMETER		End Yoke or Companion Flange 9	SHIFTER		
		Drive Gear or Signal Gear B-23	Driven Gear H-8		Housing Ass'y Pages 10-13	Lever & Dome Ass'y Page 17	Remote Control Pages 15
Model 9072							
301321							
-1	97-19-51-1X	—	—	—	97-16-79-2X	—	—
-2	97-19-51-1X	—	—	—	97-16-81-2X	—	—
-3	97-19-51-1X	—	—	—	97-16-81-2X	—	—
-4	97-19-51-1X	—	—	—	97-16-79-2X	—	—
-5	97-19-51-1X	—	—	—	97-16-81-2X	—	—
-6	97-19-51-1X	—	—	—	97-16-79-2X	—	—
-7	53-19-9-2X	—	—	—	97-16-81-2X	—	—
-8	97-19-51-1X	97-452-2	97-453-1	6-4-5351	97-16-81-2X	—	—
-9	97-19-51-1X	97-452-2	97-453-1	6-4-5351	97-16-81-2X	—	—
-10	97-19-51-1X	—	—	—	97-16-81-2X	—	—
-11	97-19-51-1X	97-452-6	97-453-7	6-4-5351	97-16-79-2X	—	—
-12	97-19-51-1X	97-452-14	—	6-4-5351	97-16-79-2X	85-16-37-17X	—
-13	97-19-51-1X	—	—	—	97-16-79-2X	—	—
-14	97-19-51-1X	—	—	—	97-16-81-2X	—	—
-15	97-19-51-1X	97-452-16	—	6-4-5351	97-16-81-2X	—	—
-16	97-19-51-1X	—	—	—	97-16-79-2X	—	—
-17	53-19-9-2X	—	—	—	97-16-79-2X	—	—
-18	97-19-51-1X	97-452-6	—	6-4-5351	97-16-81-2X	97-16-27-71X	—
-19	97-19-51-1X	97-452-6	97-453-7	6.3-4-41	97-16-79-2X	—	—
-20	97-19-51-1X	97-452-14	—	6-4-5351	97-16-79-2X	—	—
-21	97-19-51-1X	97-452-16	—	—	96-16-79-2X	—	—
-22	97-19-51-1X	97-452-16	—	—	97-16-81-2X	—	—
-23	97-19-51-1X	—	—	—	97-16-81-2X	—	—
-24	97-19-51-1X	97-452-2	97-453-1	6-4-5351	97-16-81-2X	—	—
-25	97-19-51-1X	97-452-14	—	6-4-5351-1	97-16-79-2X	—	—
-26	97-19-51-1X	97-452-14	—	5-4-6531-1	97-16-79-2X	—	—
-27	97-19-51-1X	—	—	—	97-16-79-2X	—	—
-28	97-19-51-1X	97-452-2	97-453-1	6-1-4881	97-16-79-2X	311265X	—
-29	97-19-51-1X	97-452-2	97-453-1	—	97-16-79-2X	—	—
-30	97-19-51-1X	97-452-2	97-453-1	6-4-5351	97-16-79-2X	—	—
-31	97-19-51-1X	97-452-14	—	6-4-5351-1	97-16-81-2X	—	—
-32	97-19-51-1X	97-452-14	—	—	97-16-81-2X	—	—
-33	97-19-51-1X	97-452-16	—	6-4-5351-1	97-16-81-2X	—	—
-34	97-19-51-1X	—	—	—	97-16-79-2X	—	—



14700 Helm Court
Plymouth, MI 48170
1 800-401-9866 or +1 734-456-3770
www.ttcautomotive.com