

Spicer[®]

Weatherly Index 084

Transmission Parts List

T210-6000

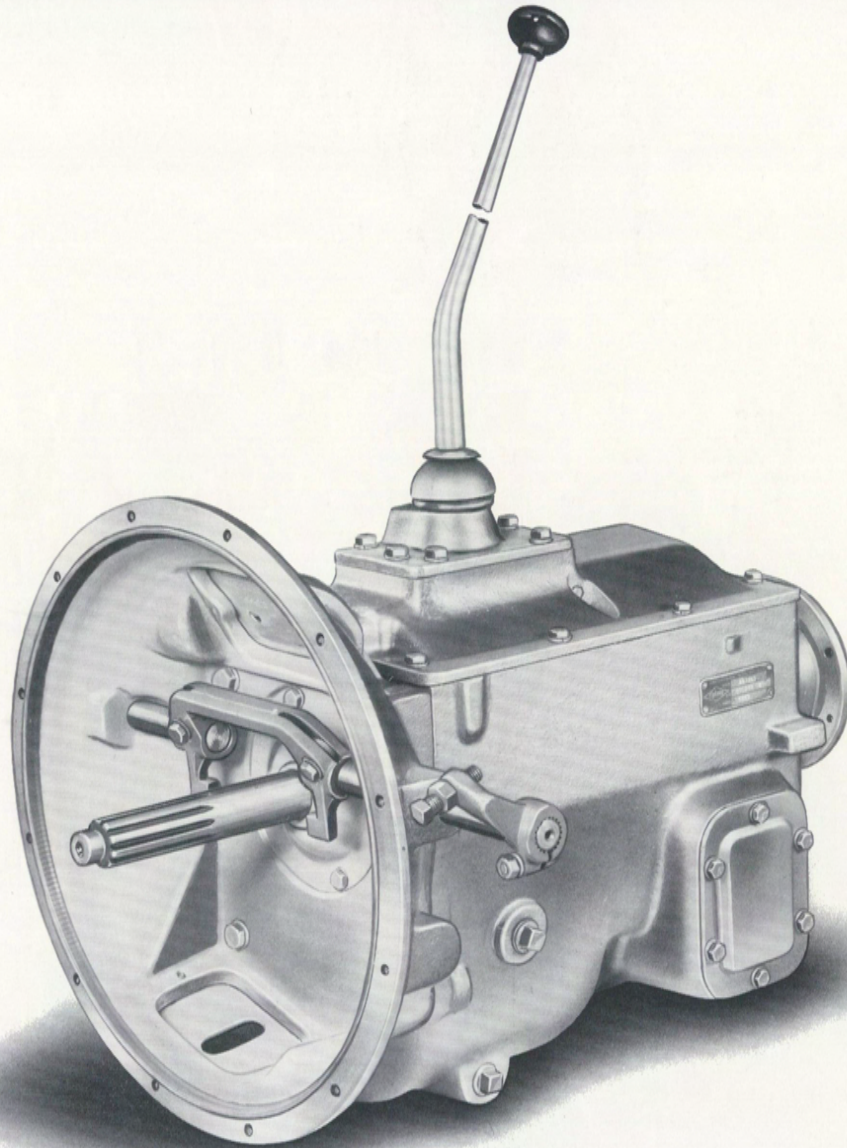
October, 1979

6000 Series

Main Transmission

Supersedes T210-5 & T210-55

Dated Oct., 1968 & July, 1973



6000 Series Main Transmission

— NOTE —

Parts listed in this catalog may no longer be available —
Use with Transmission Superseding List.

CONTENTS

RATIO TABLE	4-5
GEARS and RELATED PARTS	
DRIVE GEAR.....	6-7
MAINSHAFT	6-11
COUNTERSHAFT	12-15
DRIVE GEAR TABLE -with Screw Back Bearing Cap	16-17
-with Sealed Bearing Cap	18
COMPANION FLANGES, FLANGE YOKE	
and END YOKES	19
CASE, BEARING CAP and RELATED PARTS	20-25
CASE CHART	26-29
CLUTCH HOUSING DIMENSIONS	30-31
FRONT BEARING CAP CHART -	
with Clutch Applications	32
BASIC OVERHAUL PARTS KITS.....	33
BRAKE ASSEMBLY	34-35
SHIFTER HOUSING, ASSEMBLY	36-37
Variable Parts Chart	38-39
REMOTE CONTROL ASSEMBLIES —	
High Rod Type	40-43
Low Rod Type	44-45
Two Lever Type - Cable or Rod Control.....	46-47
Solenoid For 1st and Reverse	48-49
SHIFT LEVER and DOME ASSEMBLY.....	50
Variable Parts	51-53
CLUTCH RELEASE -	
Parts Dimensions.....	54-55
Code Table.....	56-61
TABULATED BILLS OF MATERIAL	
Before Serial Number 1620599{.....	62-117
Also.....	B/M No. & Model
After Serial Number 1620600.....	118-161
SECTIONAL VIEW	
(with the Part Name call-outs)	Inside of Back Cover

RATIO TABLE

MODEL 6352 and 6354 SERIES

SPEEDS	IRON	6352	6352-A	6352-B	6352-C	6352-D	6352-E				
	ALUM.	6354	6354-A	6354-B	6354-C	—	—				
1st		7.31	7.31	7.31	7.31	7.31	7.31				
2nd		4.09	4.38	4.38	4.38	4.38	4.09				
3rd		2.41	2.41	2.71	2.55	2.15	2.27				
4th		1.44	1.44	1.61	1.61	1.44	1.28				
5th Direct		1.00	1.00	1.00	1.00	1.00	1.00				
Reverse		7.33	7.33	7.33	7.33	7.33	7.33				

MODELS 6452, 6454, 6453, 6455, 6456 and 6458 SERIES

SPEEDS	IRON	6452	6452-A	6452-B	—	6452-D	6452-E	6453	6453-A	6453-B	6456-B
	ALUM.	6454	6454-A	6454-B	6454-C	—	—	6455	6455-A	6455-B	6458-B
1st		6.07	6.07	6.07	6.07	6.07	6.07	6.07	6.07	6.07	5.40
2nd		3.40	3.40	4.25	3.19	3.65	3.65	3.40	3.40	3.65	3.02
3rd		1.79	1.79	2.25	1.79	2.70	2.25	1.79	1.79	1.89	1.58
4th		1.34	1.15	1.42	1.34	1.59	1.42	—	—	—	1.26
4th Direct		—	—	—	—	—	—	1.00	1.00	1.00	—
5th Direct		1.00	1.00	1.00	1.00	1.00	1.00	—	—	—	1.00
5th Overdrive		—	—	—	—	—	—	.78	.83	.78	—
Reverse		6.09	6.09	6.09	6.09	6.09	6.09	6.09	6.09	6.09	5.42

MODELS 6852 and 6854 SERIES

SPEEDS	IRON	6852	6852-A	6852-B	6852-C	6852-D	6852-E	6852-F	6852-G	6852-J	
	ALUM.	6854	—	—	6854-C	—	—	6854-F	6854-G	—	
1st		5.08	5.08	4.04	5.08	5.71	5.71	3.60	6.70	6.70	
2nd		3.05	2.84	2.26	2.66	3.00	3.00	2.02	3.52	3.52	
3rd		1.78	1.78	1.69	1.89	1.78	1.78	1.60	1.97	1.97	
4th		1.33	1.33	1.26	1.33	1.34	1.15	1.26	1.17	1.48	
5th Direct		1.00	1.00	1.00	1.00	1.00	1.00	1.00	1.00	1.00	
Reverse		5.10	5.10	4.05	5.10	5.73	5.73	3.62	6.72	6.72	

All illustrations, specifications and part numbers contained in this parts list are based on the latest information available at the time of publication.

RATIO TABLE

MODELS 6852 and 6854 SERIES

SPEEDS	IRON ALUM.	6852-K	6852-L	6852-M	6852-N	6852-Q	6852-R	6852-S	—
		6854-K	—	—	—	—	—	—	6854-T
1st		6.70	6.70	3.60	5.71	5.71	5.08	5.71	5.08
2nd		4.02	3.52	2.16	3.20	3.00	3.05	3.20	2.66
3rd		2.49	1.97	1.60	2.13	2.00	1.89	1.89	1.50
4th		1.57	1.32	1.26	1.34	1.34	1.33	1.15	1.19
5th Direct		1.00	1.00	1.00	1.00	1.00	1.00	1.00	1.00
Reverse		6.72	6.72	3.62	5.73	5.73	5.10	5.73	5.73

MODELS 6853 and 6855 SERIES

SPEEDS	IRON ALUM.	6853	6853-A	6853-B	6853-C	6853-D	6853-E	6853-F	6853-G
		6855	—	6855-B	6855-C	—	—	—	—
1st		5.08	5.08	5.08	5.71	5.08	5.08	5.08	6.70
2nd		3.05	3.05	3.05	3.00	2.66	2.66	2.66	3.52
3rd		1.78	1.78	1.49	1.78	1.49	1.68	1.68	1.97
4th Direct		1.00	1.00	1.00	1.00	1.00	1.00	1.00	1.00
5th Overdrive		.695	.76	.695	.85	.69	.69	.69	.86
Reverse		5.10	5.10	5.10	5.73	5.10	5.10	5.10	6.72

MODELS 6853 and 6855 SERIES

SPEEDS	IRON ALUM.	6853-H	6853-J	6853-K	6853-L
		—	—	—	—
1st		5.08	5.08	5.71	5.71
2nd		2.84	2.84	3.00	3.00
3rd		1.68	1.68	1.68	1.68
4th Direct		1.00	1.00	1.00	1.00
5th Overdrive		.69	.76	.74	.85
Reverse		5.10	5.10	5.73	5.73

IDENTIFICATION

The Name Plate (NP-96) affixed to the LEFT side of the Transmission is stamped with information:

SERIAL

B/M No. MODEL

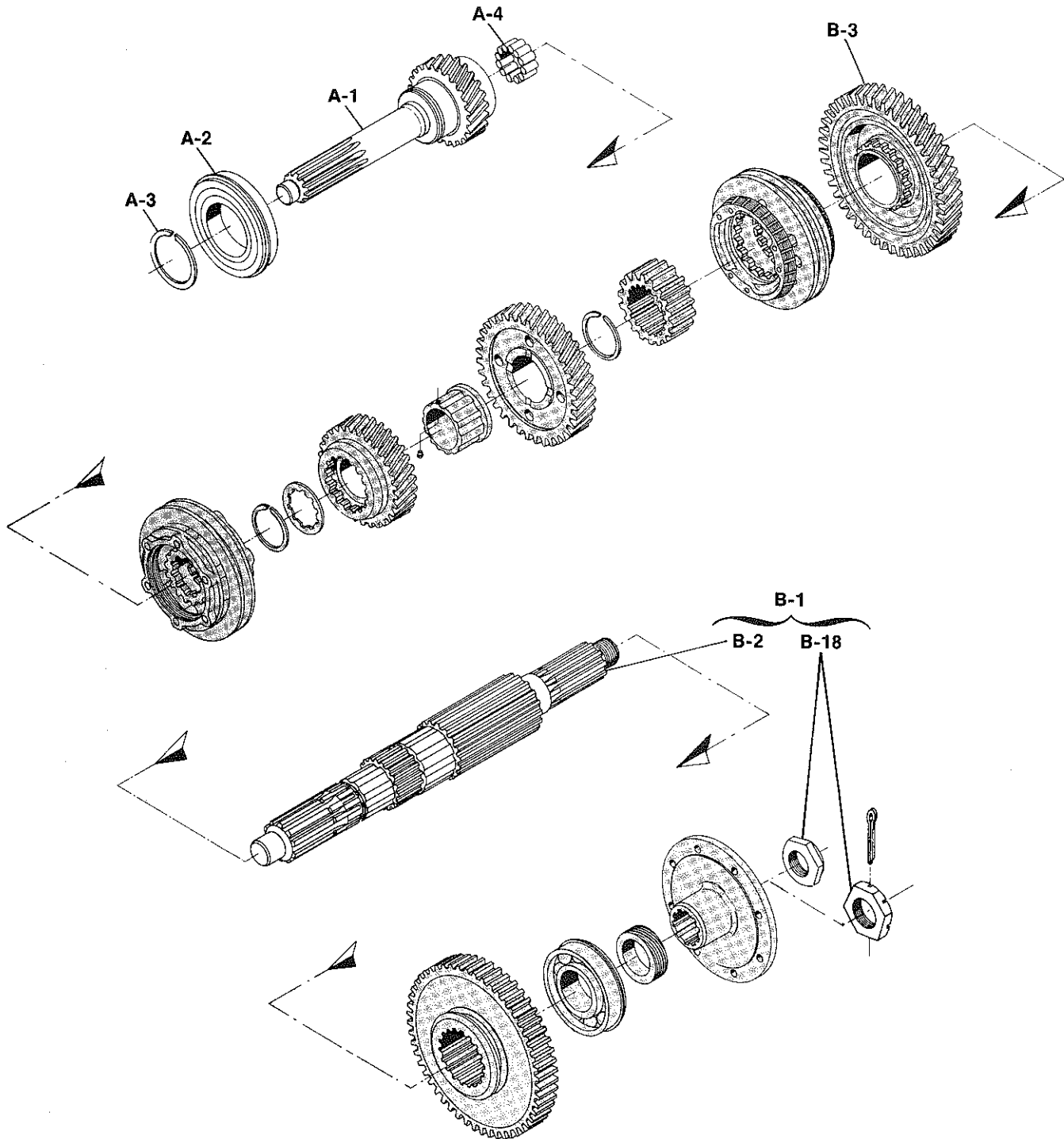
In requesting more information on these transmissions, furnish the B/M No. and the Serial Number.

Abbreviations used in this parts list include:

N.S. - Not Shown

N.S.S. - Not Sold Separately

N.R. - Not Required



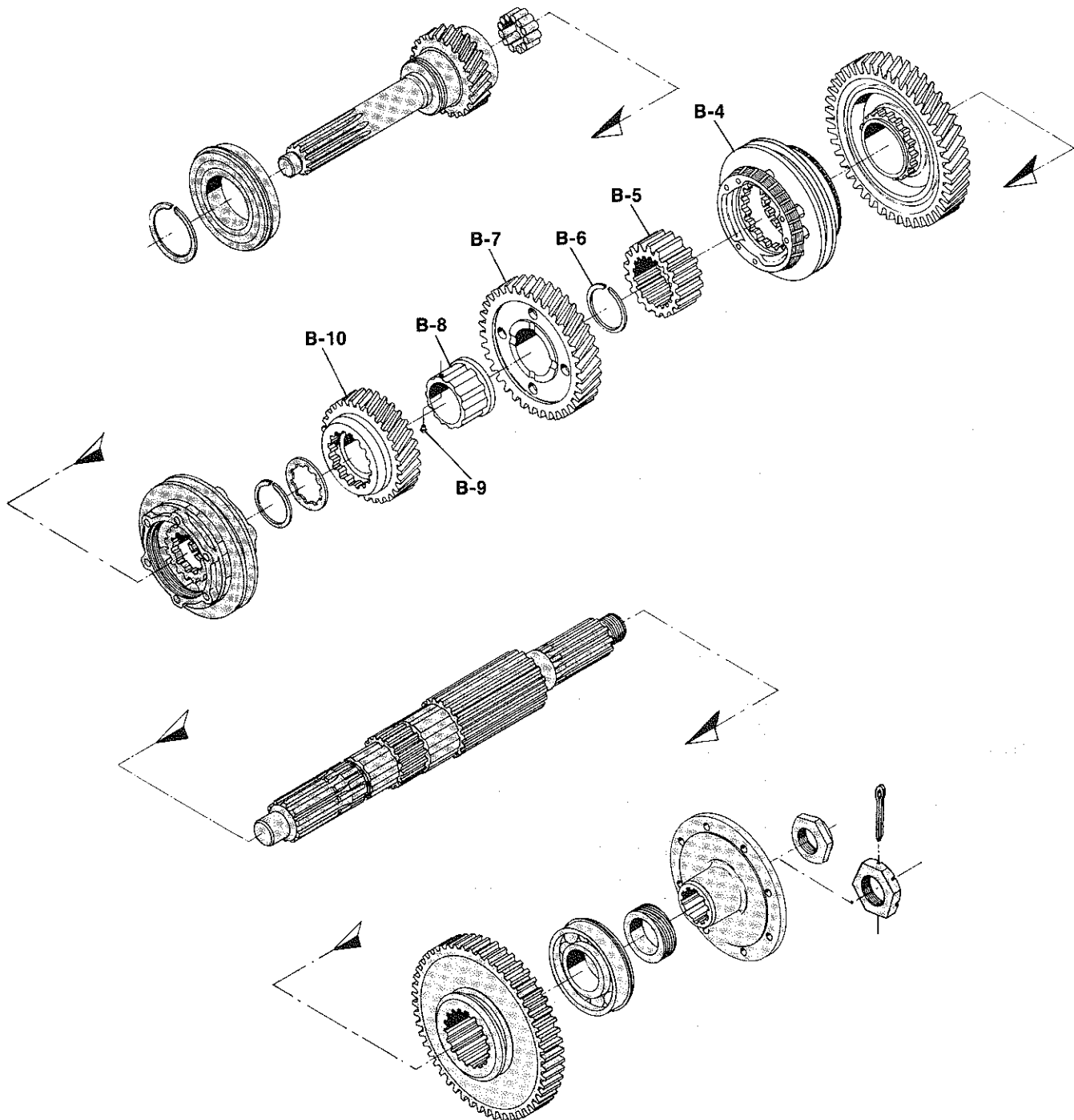
T210-6000

MODEL 6000

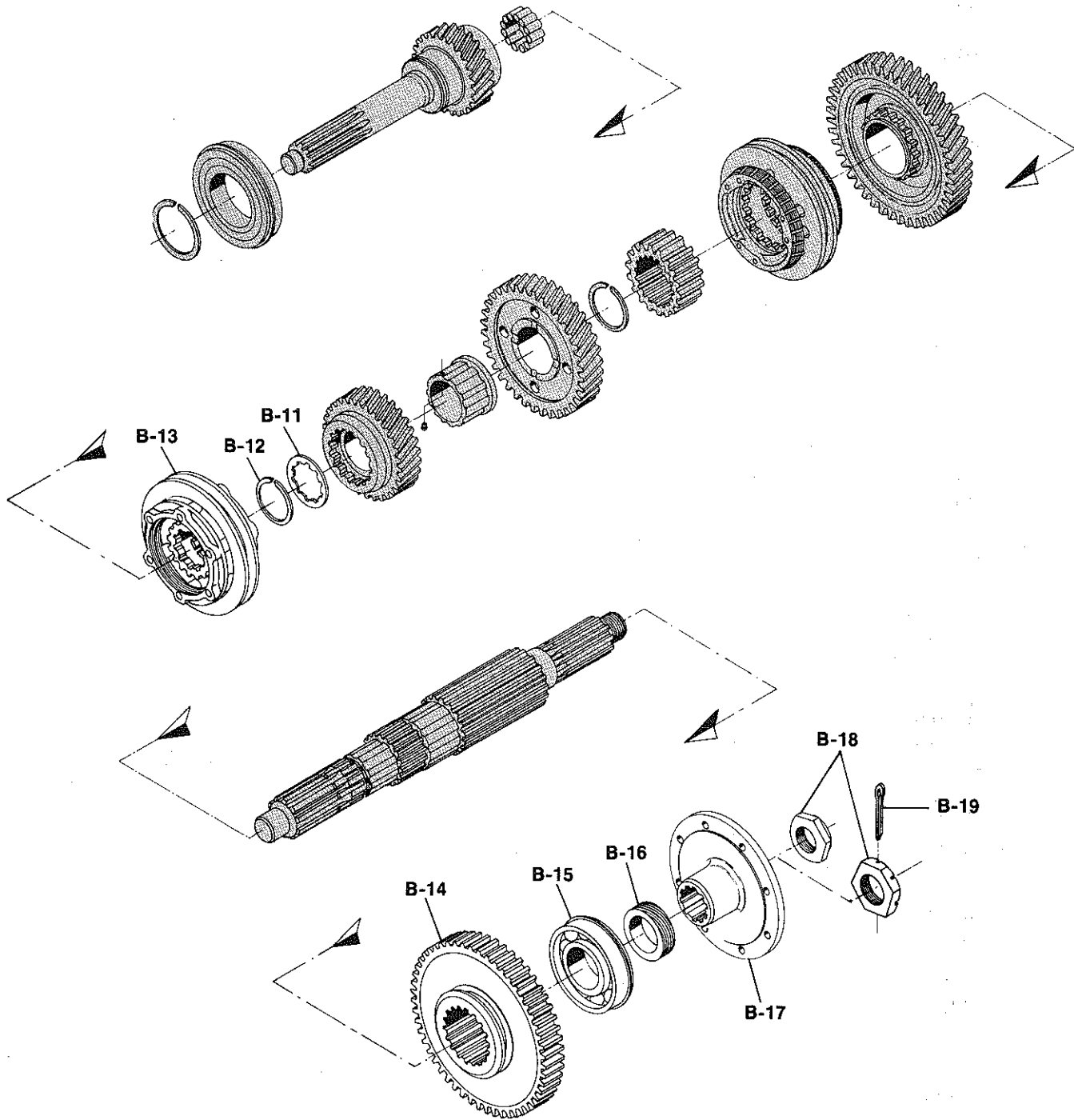
GEARS & RELATED PARTS - MAINSHAFT

Spicer®

Ref. No.	Part No.	Part Description	Serial Number	
			Before 1620599	After 1620600
DRIVE GEAR GROUP				
A-1	See Tab Bills	Drive Gear—(Also see drive gear table page 16-18)	1	1
A-2	550046	Bearing—drive gear	1	1
A-3	62-381-5	Snap Ring	1	1
A-4	310662X	Bearing—drive gear pocket	1	1
MAINSHAFT GROUP				
B-1	311678X	Kit—mainshaft and nut	1	—
B-2	N.S.S.	Mainshaft—(62-362-26)	1	—
B-18	500898	Nut—1¼"-18 (2⅛" a cross flats)	1	—
		Above Kit used with 4th and 5th spd. synchronizer ; 310228X or 312766X ; 310229X or 313007X ; 310782X Special Model 6853-G only		
Mili- tary Only	B-2 62-362-25	Mainshaft	1	—
	B-18 74-J	Nut—slotted type for cotter pin	1	—
	B-19 501137-13	Cotter Pin	1	—
		Above mainshaft used with 4th and 5th spd. synchronizer ; 310228X or 312766X ; 310229X or 313007X		
Ford Only	B-2 62-362-20	Mainshaft	—	1
	B-18 500713	Nut—1¼"-18 (2¼" across flats)	—	1
		Above mainshaft used with 4th and 5th spd. synchronizer ; 310228X or 312766X ; 310229X or 313007X		
Ford Only	B-2 62-362-27	Mainshaft	1	—
	B-18 500713	Nut—1¼"-18 (2¼" across flats)	1	—
		Above mainshaft used with 4th and 5th spd. synchronizer 312766X or 313007X only		
B-1	62-362-28-1X	Kit—mainshaft and nut	—	1
B-2	N.S.S.	Mainshaft (62-362-28)	—	1
B-18	500898	Nut—1¼"-18 (2⅛" across flats)	—	1
		Above kit used with 4th and 5th spd. synchronizer ; 312766X or 313007X only		
B-3	62-8-38	Gear—2nd gear	1	1
		(47T/25T) 6352, 6352-E, 6354, 6354-E, 6452, 6452-A, 6452-N, 6452-S, 6453, 6453-A, 6454, 6454-A, 6455, 6455-A, 6456-B, 6458-B, 6852-A, 6853-H		
	62-8-53	(48T/25T) 6352-A, 6352-C, 6352-D, 6354-A, 6354-C, 6452-D, 6452-E, 6453-B, 6852, 6852-B, 6852-J, 6852-R, 6853, 6853-A 6853-B, 6853-J, 6854, 6855		
	62-8-64	(46T/25T) 6454-C, 6852-C, 6852-D, 6852-E, 6852-G, 6852-J, 6852-L, 6852-Q, 6853-C, 6853-D, 6853-E, 6853-F, 6853-G, 6853-K, 6853-L, 6854-C, 6855-C		
	62-8-85	(56T/25T) 6452-B, 6454-B		
	62-8-87	(47T/25T) 6852-F, 6854-F		
	62-8-89	(48T/25T) 6353-B, 6354-B, 6854-K		
N.S.S. - Not Sold Separately				



Ref. No.	Part No.	Part Description	Serial Number		
			Before 1620599	After 1620600	
MAINSHAFT GROUP (Continued)					
B-4	310227X	Synchronizer Assembly—2nd & 3rd gears	1	1	
	*310795X	Synchronizer Assembly—2nd & 3rd gears	—	1	
	311531X	Synchronizer Assembly—2nd & 3rd gears ... (6852-E only)	1	—	
	62-466-17	Unsynchronized—2nd & 3rd gear	1	1	
*Use 310795X in place of 310227X for—					
;B/M 300674-24, -33, -52, -53, -59, -96					
;B/M 300682-1, -4, -8, -9, -11, -15, -17, -18, -24, -25, -26, -28					
B-5	62-466-14	Clutch Gear—2nd & 3rd speed	1	1	
B-6	62-381-8	Snap Ring	1	1	
B-7		Gear—3rd speed	1	1	
	62-8-40	(39T/25T) 6352, 6352-A, 6354, 6354-A, 6852-S, 6853-F, 6853-H			
	62-8-43	(37T/25T) 6352-D, 6452, 6452-A, 6453, 6453-A, 6454, 6454-A, 6454-C, 6455, 6455-A, 6456-B, 6458-B, 6852-G, 6852-J, 6852-L, 6853-B, 6853-D, 6853-G, 6853-K, 6853-L, 6854-K, 6854T, 6855-B			
	62-8-52	(40T/25T) 6352-C, 6354-C, 6852, 6852-A, 6852-Q, 6853, 6853-A, 6853-J, 6854, 6855			
	62-8-66	(38T/25T) 6352-E, 6453-B, 6852-D, 6852-E, 6853-C, 6853-E, 6855-C			
	62-8-76	(44T/25T) 6452-D, 6852-F, 6852-M, 6854-F			
	62-8-82	(41T/25T) 6352-B, 6354-B, 6452-B, 6452-E, 6454-B, 6852-B, 6852-C, 6852-K, 6852-N, 6852-R, 6854-C, 6854-K			
	B-8	62-37-29	Sleeve—4th speed gear	1	1
	B-9	425-SP	Pin—4th speed gear sleeve	1	1
	B-10		Gear—4th speed	1	1
62-8-42		(30T/22T) 6352, 6352-A, 6352-D, 6354 6354-A, 6852-L			
62-8-50		(32T/22T) 6352-B, 6352-C, 6354-B, 6354-C 6452, 6454, 6454-C, 6852, 6852-J			
62-8-51		(35T/22T) 6452-D, 6852, 6852-A, 6852-C, 6852-R, 6854, 6854-C			
62-8-65		(33T/22T) 6452-B, 6452-E, 6454-B, 6456-B, 6458-B, 6852-D, 6852-K, 6852-N, 6854-K, 6854-T			
62-8-67		(30T/22T) 6852-E, 6852-S			
62-8-74		(40T/22T) 6852-F, 6852-M, 6854-F			
62-8-78		(28T/22T) 6352-E, 6852-G, 6854-G			
62-8-84		(29T/22T) 6452-A, 6454-A			
B-10			Gear—5th speed overdrive	1	1
	62-8-44	(23T/22T) 6453, 6453-B, 6455, 6853-G, 6853-K			
	62-8-49	(24T/22T) 6453-A, 6454-A, 6853, 6853-B, 6853-D, 6853-F, 6853-H, 6853-J, 6855, 6855-B			
	62-8-68	(25T/22T) 6853-A, 6853-C, 6853-E, 6853-L, 6855-C			



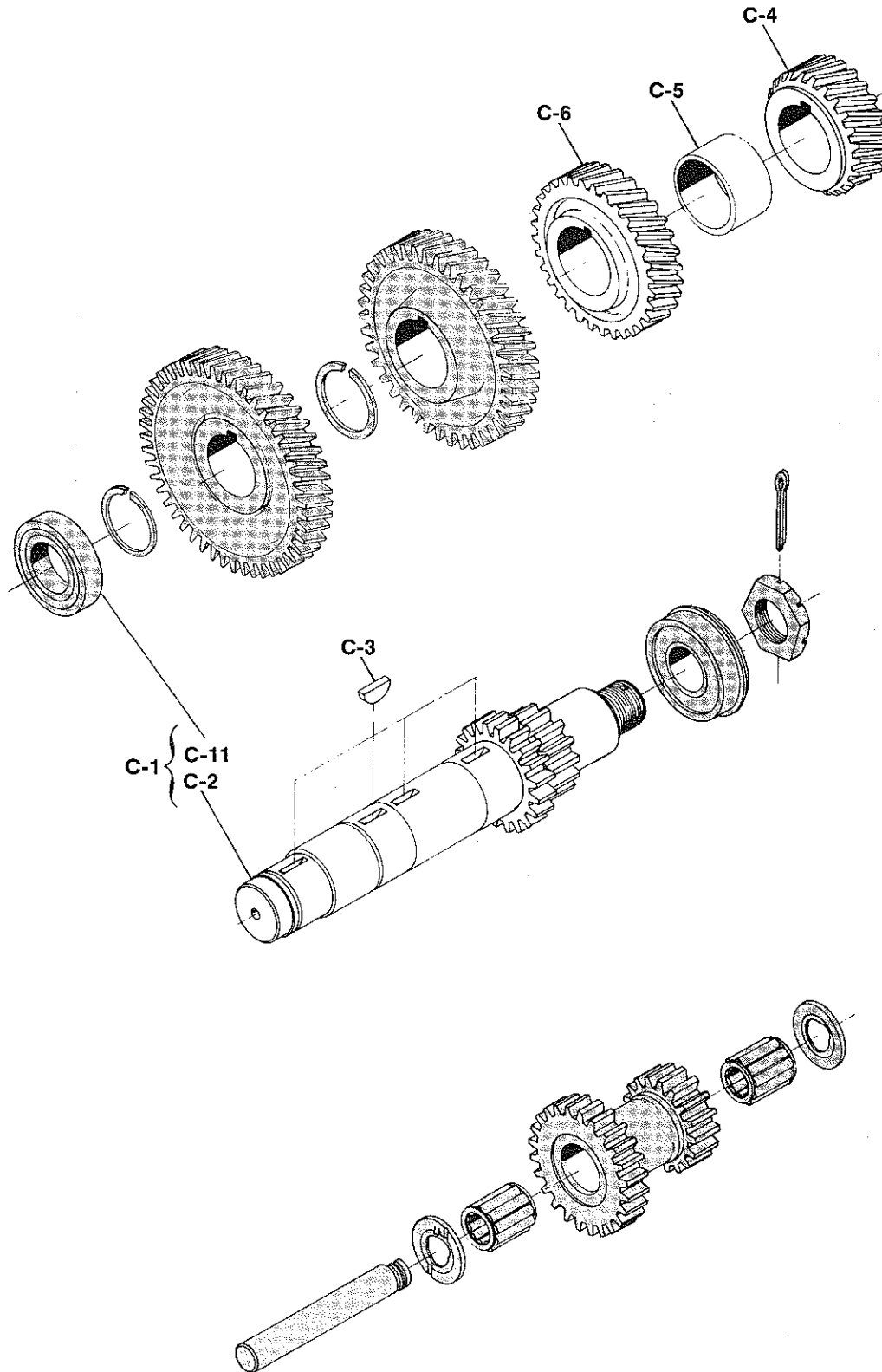
T210-6000

MODEL 6000
GEARS & RELATED PARTS - MAINSHAFT



Ref. No.	Part No.	Part Description	Serial Number	
			Before 1620599	After 1620600
MAINSHAFT GROUP (Continued)				
B-11	1001-W	Thrust Washer.....	1	1
B-12	62-381-4	Snap Ring.....	1	1
B-13	Note: ●310228X	Synchronizer Assembly—4th and 5th gear Also see Mainshaft Ref. No. B-2 for Models 6352, 6354, 6453, 6455 Series, and 6852-G, 6852-J, 6852-K, 6852-L, 6852-P, 6853, 6853-B, 6853-D, 6853-F, 6853-H, 6854-G, 6854-K, 6855, 6855-B	1	—
	■310229X	for Models 6452, 6454, 6456, 6458 Series, and 6852, 6852-A, 6852-B, 6852-C, 6852-D, 6852-E, 6852-F, 6852-M, 6852-N, 6852-Q, 6852-R, 6852-S, 6853-A, 6853-C, 6853-E, 6853-J, 6853-K, 6854, 6854-C, 6854-F, 6854-T		
	●310782X	Special 6853-G only	1	—
B-13	Note: ●312766X	Synchronizer Assembly—4th and 5th gear Also see Mainshaft Ref. No. B-2 for Models 6352, 6453, 6455, 6852-G, 6852-K, 6853, 6853-B, 6854-G, 6854-K, 6855, 6855-B	—	1
	■313007X	for Models 6452, 6452-A, 6454, 6454-A, 6852, 6852-S, 6853-C 6854, 6855-C		
B-13	●310228X	Synchronizer Assembly—4th and 5th gear(Ford)	1	—
or	●312766X	With Mainshaft 62-362-20		
or	■310229X	With Mainshaft 62-362-20		
or	■313007X	With Mainshaft 62-362-20		
B-13	●312766X	Synchronizer Assembly—4th and 5th gear (Ford)	—	1
	■313007X	With Mainshaft 62-362-27 With Mainshaft 62-362-27		
B-14	62-8-36	Gear—1st and reverse sliding	1	1
B-15	550061	Bearing—rear	1	1
B-16	See Tab Bills	Gear—speedometer drive	1	1
or	62-37-22	Spacer (used in place of speedometer drive gear)	1	1
B-17	See Tab Bills	Flange or End Yoke—U-Joint (Also See Chart page 19) ..	1	1
B-18	500898	Nut—1 1/4"-18 hex (2 1/8" across flats)	1	1
or	500713	Nut—1 1/4"-18 hex (2 1/4" across flats)	1	1
B-18	74-J	Nut—slotted type for use with cotter pin	1	—
B-19	501137-13	Cotter pin	1	—

- - Assembly has Equally Sized Bronze Cones
- - Assembly has Unequally Sized Bronze Cones



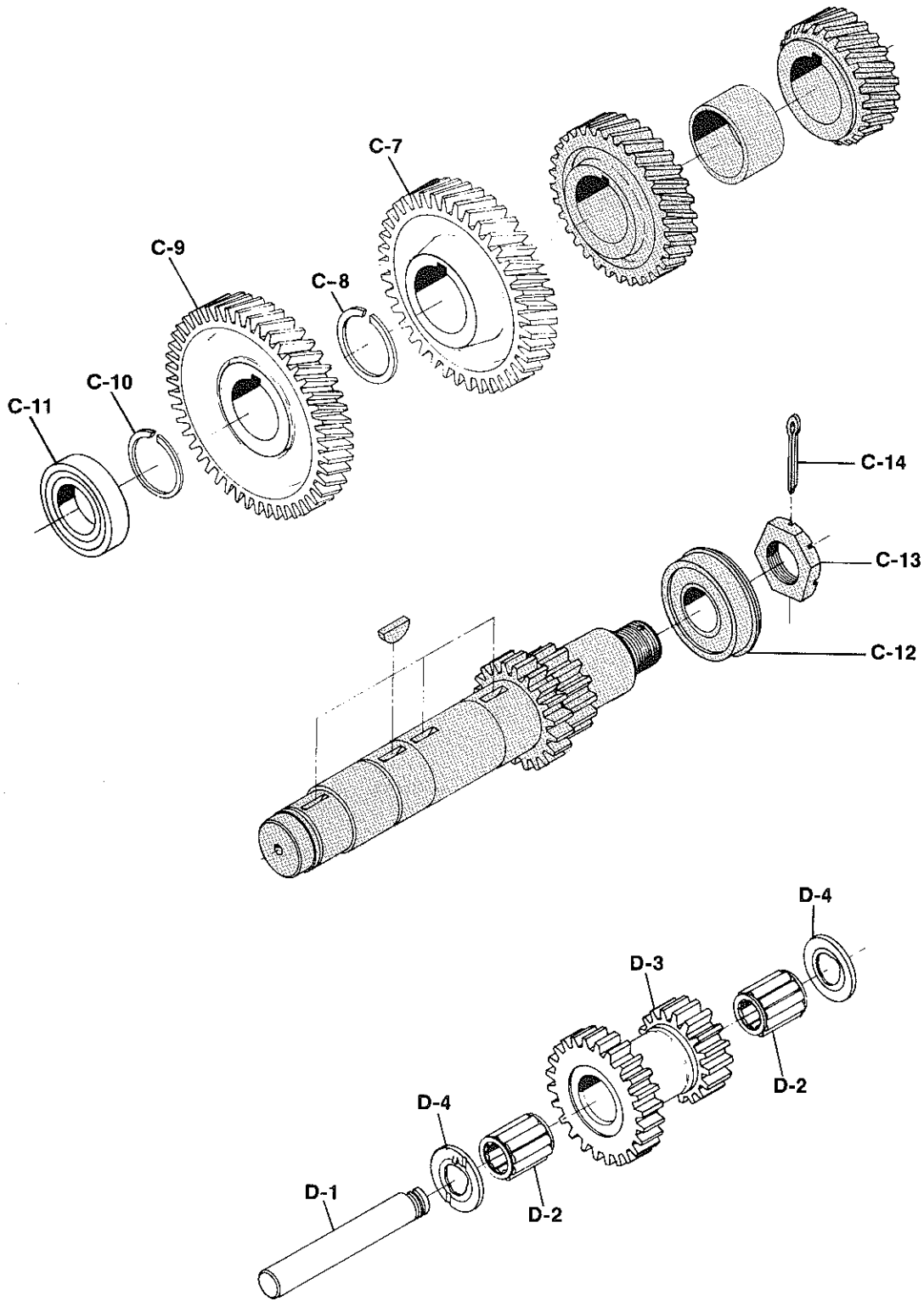
T210-6000

MODEL 6000

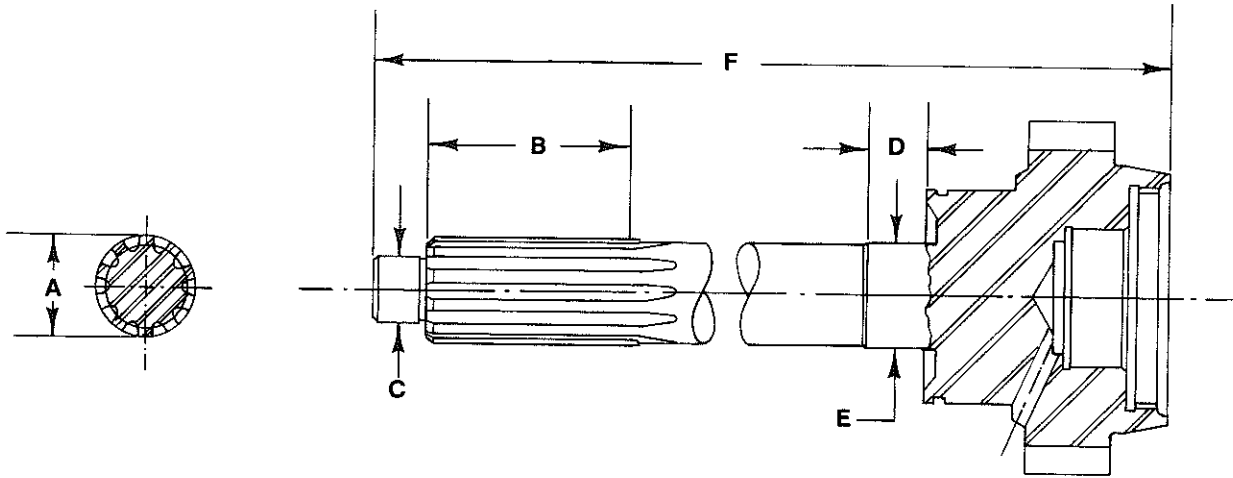
GEARS & RELATED PARTS - COUNTERSHAFT

Spicer®

Ref. No.	Part No.	Part Description	Serial Number	
			Before 1620599	After 1620600
COUNTER SHAFT GROUP				
C-1	311450X	Kit—countershaft and bearing..... (Standard)	1	1
C-2	N.S.S.	Countershaft (62-30-17).....	1	1
C-11	550520	Bearing—front.....	1	1
C-1	312060X	Kit—countershaft and brg. ... (Model 6452-B, 6454-B only)	1	1
C-2	N.S.S.	Countershaft (62-30-18).....	1	1
C-11	550520	Bearing—front.....	1	1
C-3	500010-8	Woodruff Key #29	4	4
C-4		Gear—2nd speed	1	1
	62-196-14	(21T) 6352-A, 6352-C, 6352-D, 6354-A, 6354-C, 6452-D, 6452-E, 6453-B, 6852-B, 6852-J, 6852-R, 6853, 6853-A, 6853-B, 6853-J, 6854, 6855		
	62-196-30	(22T) 6352, 6352-E, 6354, 6452, 6452-A, 6453, 6453-A, 6454, 6454-A, 6455, 6455-A, 6456-B, 6458-B, 6852-A, 6852-F, 6852-N, 6852-S, 6853-H, 6854-F		
	62-196-41	(23T) 6452-C, 6852-C, 6852-D, 6852-E, 6852-G, 6852-J, 6852-L, 6852-Q, 6853-C, 6853-D, 6853-E, 6853-F, 6853-G, 6853-K, 6853-L, 6854-C, 6854-G, 6854-T, 6855-C		
	62-196-57	(21T) 6352-B, 6354-B, 6852-K, 6854-K		
C-5	62-37-35	Spacer—2nd and 3rd gear	1	1
C-6		Gear—3rd speed	1	1
	55-196-33	(31T) 6352, 6352-B, 6354, 6354-B, 6852-S, 6853-F, 6853-H		
	62-196-31	(33T) 6352-D, 6452, 6452-A, 6453, 6453-A, 6454, 6454-A, 6454-C, 6455, 6455-A, 6456-B, 6458-B, 6852-G, 6852-J, 6852-L, 6853-B, 6853-D, 6853-G, 6853-K, 6853-L, 6854-G, 6854-T, 6855-B		
	62-196-35	(30T) 6352-C, 6354-C, 6852, 6852-A, 6852-Q, 6853, 6853-A, 6853-J, 6854, 6855		
	62-196-43	(32T) 6352-E, 6453-B, 6852-D, 6852-E, 6853-C, 6853-E, 6855-C		
	62-196-51	(26T) 6452-D, 6852-F, 6852-M, 6854-F		
	62-196-54	(29T) 6352-B, 6354-B, 6452-B, 6452-E, 6454-B, 6852-B, 6852-C, 6852-K, 6852-R, 6854-K, 6854-N		
N.S.S. - Not Sold Separately				



Ref. No.	Part No.	Part Description	Serial Number	
			Before 1620599	After 1620600
COUNTER SHAFT GROUP (Continued)				
C-7	62-196-15	Gear—4th speed	1	1
		(38T) 6352-B, 6352-C, 6354-B, 6354-C, 6452, 6454, 6454-C, 6852-B, 6852-J		
	62-196-24	(35T) 6452-D, 6852, 6852-A, 6852-C, 6852-R, 6854, 6854-C		
	62-196-29	(40T) 6352, 6352-A, 6352-D, 6354, 6354-A, 6852-L		
	62-196-42	(42T) 6452-B, 6452-E, 6454-B, 6456-B, 6458-B, 6852-D, 6852-K, 6852-N, 6852-Q, 6852-T, 6854-K		
	62-196-44	(39T) 6852-E, 6852-S		
	62-196-49	(30T) 6852-F, 6852-M, 6854-F		
	62-196-52	(42T) 6352-E, 6852-G, 6854-G		
	62-196-55	(40T) 6452-A, 6454-A		
C-7	62-1-1	Gear—5th speed overdrive	1	1
		(47T) 6453, 6453-B, 6455, 6853-G, 6853-K		
	62-196-25	(46T) 6453-A, 6455-A, 6853, 6853-B, 6853-D, 6853-F, 6853-H, 6853-J, 6855, 6855-J		
	62-196-45	(44T) 6853-A, 6853-C, 6853-E, 6853-L, 6855-A, 6855-C		
C-8	62-381-6	Snap Ring	1	1
C-9	62-1-6	Gear—drive	1	1
		(46T) 6352, 6352-A, 6352-B, 6352-C, 6352-D, 6352-E, 6354, 6354-A, 6354-B, 6354-C, 6852-B		
	62-1-8	(43T) 6452, 6452-A, 6452-D, 6452-E, 6453, 6453-A, 6453-B, 6454, 6454-A, 6454-B, 6454-C, 6455, 6455-A		
	62-1-10	(40T) 6852, 6852-A, 6852-C, 6852-R, 6853, 6853-A, 6853-B, 6853-D, 6853-F, 6853-H, 6853-J, 6854, 6854-C, 6854-T, 6855, 6855-B		
	62-1-12	(41T) 6456-B, 6458-B		
	62-1-13	(42T) 6852-D, 6852-E, 6852-N, 6852-Q, 6852-S, 6853-C, 6853-E, 6853-K, 6853-L, 6855-C		
	62-1-14	(34T) 6852-F, 6852-M, 6854-K		
	62-1-16	(44T) 6852-G, 6852-J, 6852-K, 6852-L, 6853-G, 6854-G, 6854-K		
C-10	62-381-9	Snap Ring	1	1
C-11	550520	Bearing—front	1	1
C-12	550059	Bearing—rear	1	1
C-13	454-9	Nut—slotted type for use with cotter pin	1	1
C-14	500024-13	Cotter Pin— $\frac{1}{8}$ " x 2"	} 1	1
"	501137-13	Cotter Pin— $\frac{1}{8}$ " x 2" (cadmium plated)		
REVERSE IDLER GEAR GROUP				
D-1	62-60-4	Shaft—reverse idler gear $8\frac{7}{16}$ " length	} 1	1
	62-60-5	Shaft—reverse idler gear $8\frac{11}{32}$ " length (Ford only)		
D-2	550122	Bearing—reverse idler gear	2	2
D-3	62-5-6	Gear	1	1
D-4	330592	Thrust Washer	2	2



Number of Teeth	10 Spline		Pilot Dia. C	Shoulder		Overall Length F	Part No.
	Dia. Size A	Length B		Width D	Dia. E		

WITH SCREW-BACK BEARING CAP

24T	1 1/2"	3"	0.9836"/0.9830"	0.656"	1.784"/1.781"	11 31/32"	62-35-40
"	"	"	" "	0.938"	1.497"/1.496"	"	62-35-55
"	"	"	" "	"	" "	12 15/32"	62-35-48
"	"	"	0.9840"/0.9835"	1.000"	" "	"	62-35-75
24T	1 1/2"	3"	0.9840"/0.9835"	0.938"	1.497"/1.496"	12 15/32"	62-35-112
"	"	"	" "	None	" "	12 11/16"	62-35-82
"	"	"	" "	1.000"	" "	"	62-35-67
24T	1 1/2"	2 5/8"	0.9836"/0.9830"	None	1.497"/1.496"	13 13/32"	62-35-61
"	"	3 5/8"	" "	0.656"	1.784"/1.781"	"	62-35-91
"	"	3 3/8"	0.9840"/0.9835"	1.125"	1.497"/1.496"	"	62-35-106
"	"	3 5/8"	" "	None	" "	13 7/16"	62-35-99
24T	1 3/4"	2 3/4"	1.1803"/1.1797"	1.094"	1.784"/1.781"	11 31/32"	62-35-34
"	"	2 13/16"	" "	"	" "	"	62-35-28
"	"	"	0.9840"/0.9835"	1.031"	" "	"	62-35-66
24T	1 3/4"	2 3/4"	1.1803"/1.1797"	1.094"	1.784"/1.781"	13 13/32"	62-35-51
"	"	3 5/8"	" "	"	" "	"	62-35-86
"	"	3 1/2"	0.7868"/0.7863"	"	" "	13 29/32"	62-35-62
25T	1 1/2"	3"	0.9836"/0.9830"	0.938"	1.497"/1.496"	11 31/32"	62-35-77
"	"	"	" "	0.656"	1.784"/1.781"	"	62-35-98
"	"	"	0.9840"/0.9835"	1.000"	1.497"/1.496"	12 15/32"	62-35-80
25T	1 1/2"	3 1/8"	0.9840"/0.9835"	0.938"	1.497"/1.496"	12 15/32"	62-35-113
"	"	3"	" "	1.000"	" "	12 15/16"	62-35-69
"	"	3 3/8"	" "	1.125"	" "	13 13/32"	62-35-104

T210-6000

MODEL 6000

DRIVE GEAR TABLE (Ref. No. A-1)

Spicer®

Number of Teeth	10 Spline		Pilot Dia. C	Shoulder		Overall Length F	Part No.
	Dia. Size A	Length B		Width D	Dia. E		

WITH SCREW-BACK BEARING CAP (Con't)

25T	1 ³ / ₄ "	2 ³ / ₄ "	1.1803"/1.1797"	1.094"	1.784"/1.781"	11 ³¹ / ₃₂ "	62-35-93
"	"	2 ¹³ / ₁₆ "	0.9840"/0.9835"	"	" "	"	62-35-105
"	"	3 ⁵ / ₈ "	" "	"	" "	13 ³ / ₈ "	62-35-110
25T	1 ³ / ₄ "	3 ⁵ / ₈ "	1.1803"/1.1797"	0.656"	1.784"/1.781"	13 ¹³ / ₃₂ "	62-35-73
"	"	"	" "	1.094"	" "	"	62-35-78
"	"	3 ¹ / ₂ "	0.7868"/0.7863"	"	" "	13 ²⁹ / ₃₂ "	62-35-63
27T	1 ¹ / ₂ "	3"	0.9836"/0.9830"	0.938"	1.497"/1.496"	11 ³¹ / ₃₂ "	62-35-31
"	"	"	" "	1.000"	" "	12 ¹⁵ / ₃₂ "	62-35-57
"	"	"	0.9840"/0.9835"	"	" "	"	62-35-74
27T	1 ¹ / ₂ "	3"	0.9840"/0.9835"	0.938"	1.497"/1.496"	12 ¹⁵ / ₃₂ "	62-35-111
"	"	"	" "	1.000"	" "	12 ¹⁵ / ₁₆ "	62-35-68
"	"	3 ³ / ₈ "	" "	1.125"	" "	13 ¹³ / ₃₂ "	62-35-109
27T	1 ³ / ₄ "	2 ³ / ₄ "	1.1803"/1.1797"	1.094"	1.784"/1.781"	11 ³¹ / ₃₂ "	62-35-35
"	"	2 ¹³ / ₁₆ "	0.9836"/0.9830"	"	" "	"	62-35-49
"	"	3 ⁵ / ₈ "	1.1803"/1.1797"	0.656"	" "	13 ¹³ / ₃₂ "	62-35-33
27T	1 ³ / ₄ "	2 ³ / ₄ "	1.1803"/1.1797"	1.094"	1.784"/1.781"	13 ¹³ / ₃₂ "	62-35-46
"	"	3 ⁵ / ₈ "	" "	1.031"	" "	"	62-35-81
"	"	2 ⁵ / ₈ "	" "	1.094"	" "	"	62-35-84
"	"	3 ⁵ / ₈ "	0.9840"/0.9835"	1.031"	" "	"	62-35-107
28T	1 ¹ / ₂ "	3"	0.9836"/0.9830"	0.938"	1.497"/1.496"	11 ³¹ / ₃₂ "	62-35-90
"	"	"	0.9840"/0.9835"	1.000"	" "	12 ¹⁵ / ₃₂ "	62-35-88
"	"	"	" "	"	" "	12 ¹⁵ / ₁₆ "	62-35-85
28T	1 ³ / ₄ "	2 ³ / ₄ "	1.1803"/1.1797"	1.094"	1.784"/1.781"	11 ³¹ / ₃₂ "	62-35-89
"	"	3 ⁵ / ₈ "	" "	0.656"	" "	13 ¹³ / ₃₂ "	62-35-83
"	"	3 ¹ / ₂ "	0.7868"/0.7863"	1.094"	" "	13 ²⁹ / ₃₂ "	62-35-56
30T	1 ¹ / ₂ "	3"	0.9836"/0.9830"	0.656"	1.784"/1.781"	11 ³¹ / ₃₂ "	62-35-42
"	"	"	" "	0.938"	" "	"	62-35-54
"	"	"	0.9840"/0.9835"	1.000"	1.497"/1.496"	12 ¹⁵ / ₃₂ "	62-35-87
"	"	"	" "	"	" "	12 ¹⁵ / ₁₆ "	62-35-76
30T	1 ³ / ₄ "	2 ³ / ₄ "	1.1803"/1.1797"	1.094"	1.784"/1.781"	11 ³¹ / ₃₂ "	62-35-50
"	"	2 ¹³ / ₁₆ "	0.9840"/0.9835"	"	" "	"	62-35-95
"	"	3 ⁵ / ₈ "	1.1803"/1.1797"	"	" "	13 ¹³ / ₃₂ "	62-35-65
"	"	3 ¹ / ₂ "	" "	"	" "	"	62-35-72

Number of Teeth	10 Spline		Pilot Dia. C	Shoulder		Overall Length F	Part No.
	Dia. Size A	Length B		Width D	Dia. E		

WITH SEALED BEARING CAP

24T	1 1/2"	3"	0.9840"/0.9835"	0.938"	1.497"/1.496"	12 11/16"	62-35-117
"	"	3 1/2"	" "	1.062"	" "	13 13/32"	62-35-123
24T	1 3/4"	3 5/8"	1.1803"/1.1797"	1.094"	1.784"/1.781"	12 15/16"	62-35-100
"	"	"	" "	0.656"	" "	13 13/32"	62-35-37
25T	1 1/2"	3"	0.9840"/0.9835"	0.938"	1.497"/1.496"	12 15/16"	62-35-119
"	"	3 3/8"	" "	1.062"	" "	13 13/32"	62-35-122
25T	1 3/4"	3 5/8"	1.1803"/1.1797"	1.094"	1.784"/1.781"	12 15/16"	62-35-97
27T	1 1/2"	3"	0.9836"/0.9830"	0.656"	1.784"/1.781"	11 31/32"	62-35-41
"	"	"	0.9840"/0.9835"	0.938"	1.497"/1.496"	12 15/16"	62-35-118
"	"	3 3/8"	" "	1.062"	" "	13 13/32"	62-35-124
27T	1 3/4"	2 13/16"	0.9836"/0.9830"	1.094"	1.784"/1.781"	11 31/32"	62-35-30
"	"	3 5/8"	1.1803"/1.1797"	"	" "	12 15/16"	62-35-103
28T	1 1/2"	3"	0.9840"/0.9835"	0.938"	1.497"/1.496"	12 15/32"	62-35-115
28T	1 3/4"	2 11/16"	1 1/4"-18 thread	1.094"	1.784"/1.781"	8 25/32"	62-35-108
"	"	3 5/8"	1.1803"/1.797"	"	" "	12 15/16"	62-35-96
"	"	"	" "	"	" "	13 13/32"	62-35-79
29T	1 3/4"	3 5/8"	1.1803"/1.1797"	0.656"	1.784"/1.781"	13 13/32"	62-35-52
30T	1 3/4"	2 1/2"	None	0.656"	1.784"/1.781"	8 35/64"	62-35-102
"	"	3 5/8"	1.1803"/1.1797"	1.094"	" "	12 15/16"	62-35-101
"	"	3 5/8"	" "	0.656"	" "	13 13/32"	62-35-36
36T	1 3/4"	3 5/8"	1.1803"/1.1797"	0.656"	1.784"/1.781"	13 13/32"	62-35-58
"	"	"	" "	1.094"	" "	"	62-35-92
"	"	3 1/2"	0.7868"/0.7863"	"	" "	13 29/32"	62-35-60
Military							
24T	1 3/4"	2 13/16"	1.1803"/1.1797"	1.031"	1.784"/1.781"	11 31/32"	62-35-45

SPECIAL

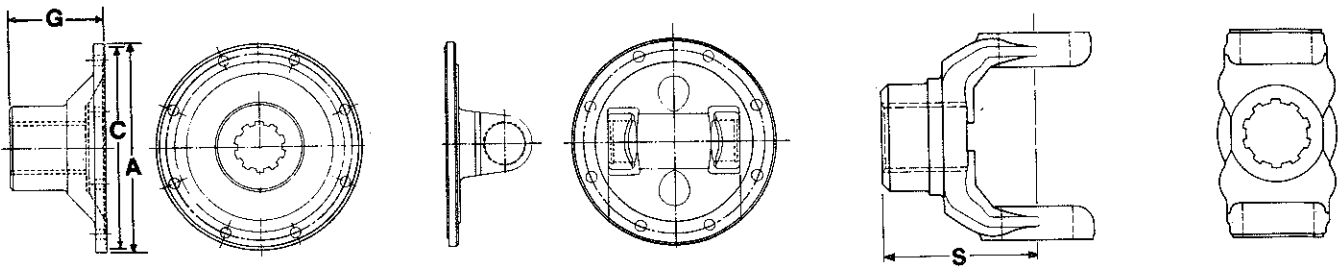
28T	1 1/2"	2 11/16"	1 1/4"-18 Thread	None	2.978"/2.968"	8 27/32"	62-35-94
-----	--------	----------	------------------	------	---------------	----------	----------

MODEL 6000

COMPANION FLANGES, FLANGE YOKES and END YOKES

Spicer®

T210-6000



COMPANION FLANGE

FLANGE YOKE

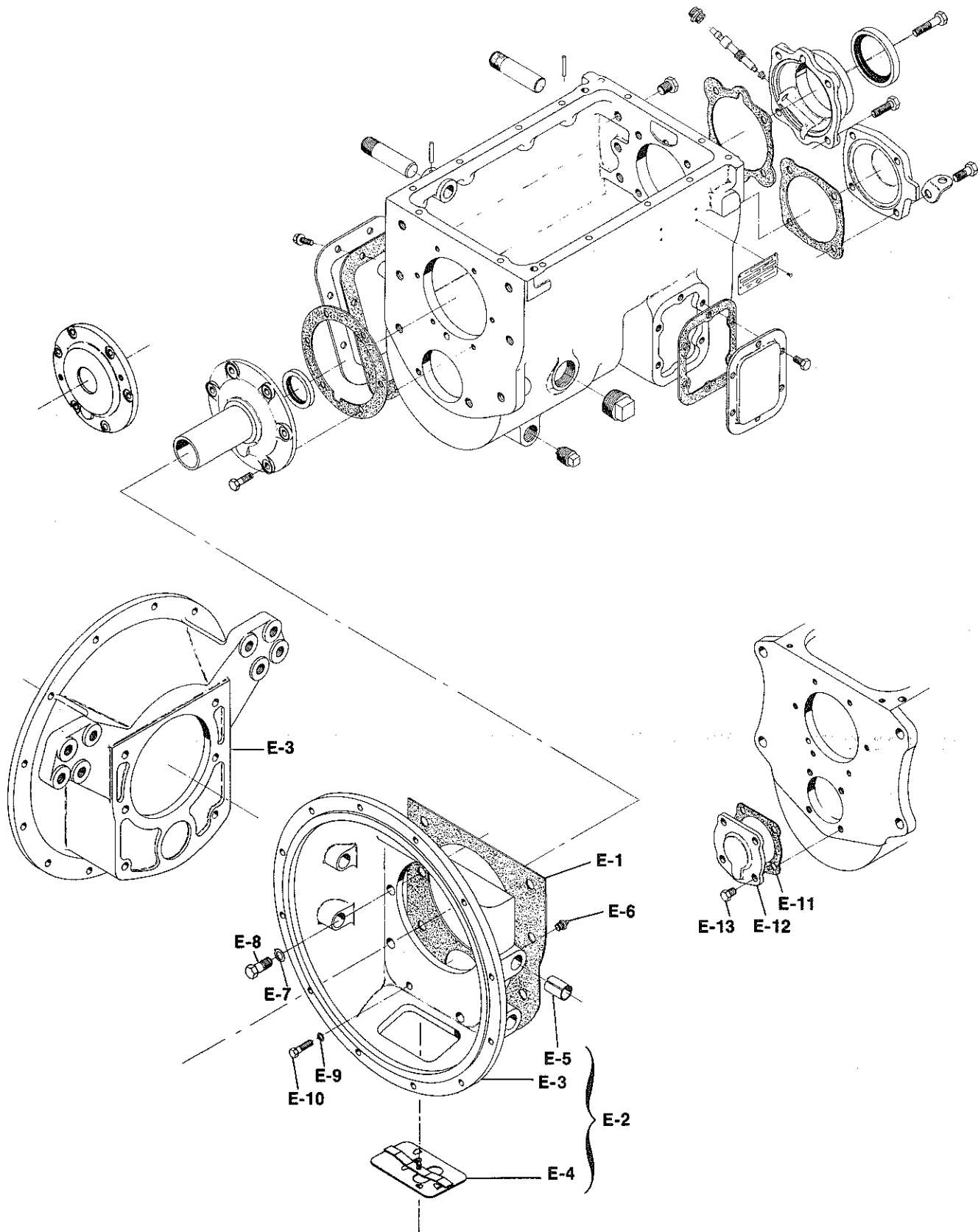
END YOKE

Companion Flanges and Flange Yokes

Joint Series	A Flange Diameter	Companion Flange Assembly	Companion Flange	G End of Hub to Flange Face Length	C Pilot Diameter F-Female M-Male	Mates with Flange Yoke	
						Part No.	Series
1550	5 ⁷ / ₈ "	—	4-1-3781	3 ⁵ / ₈ "	F-3 ³ / ₄ "	4-2-669	1550
1600/1610	6 ⁷ / ₈ "	5-1-278X	5-1-3271	4 ³¹ / ₃₂ "	M-5 ⁵ / ₁₆ "	5-2-599	1600
1600/1610	6 ⁷ / ₈ "	—	5-1-3061	3 ¹ / ₄ "	F-6 ⁵ / ₈ "	—	—
1600/1610	6 ⁷ / ₈ "	—	5-1-3141	3 ⁵ / ₈ "	F-6 ⁵ / ₈ "	5-2-279	1480
1600/1610	6 ⁷ / ₈ "	—	5-1-3151	2 ⁷ / ₈ "	M-6 ⁷ / ₈ "	5-2-249	1610
1600/1610	6 ⁷ / ₈ "	—	5-1-3191	3 ¹³ / ₃₂ "	M-6 ⁷ / ₈ "	—	—
1600/1610	6 ⁷ / ₈ "	—	5-1-3271	4 ³¹ / ₃₂ "	M-5 ⁵ / ₁₆ "	—	—
1600/1610	6 ⁷ / ₈ "	5-1-3321X	5-1-3061	3 ¹ / ₄ "	F-6 ⁵ / ₈ "	5-2-279	1480
1600/1610	6 ⁷ / ₈ "	—	5-1-3841	3 ⁵ / ₈ "	F-6 ⁵ / ₈ "	5-2-279	1480
1600/1610	6 ⁷ / ₈ "	5-1-3991X	5-1-3981	3 ¹¹ / ₁₆ "	F-6 ⁵ / ₈ "	—	—
1600/1610	6 ⁷ / ₈ "	5-1-4411X	5-1-4401	3"	F-5 ¹ / ₄ "	—	—
1650/1710	8"	6-1-198X	6-1-2141	3 ¹ / ₄ "	F-7 ³ / ₄ "	6-2-749	1700
1650/1710	8"	—	6-1-2221	3 ¹ / ₄ "	F-7 ³ / ₄ "	5-2-779	1650
1650/1710	8"	—	6-1-2221	3 ¹ / ₄ "	F-7 ³ / ₄ "	6-2-749	1700
1650/1710	8"	—	6-1-2251	2 ⁷ / ₈ "	M-8"	5-2-779	1650
1650/1710	8"	—	6-1-2251	2 ⁷ / ₈ "	M-8"	6-2-759	1700
1650/1710	8"	—	6-1-2261	3 ¹³ / ₃₂ "	M-8"	5-2-779	1650
1650/1710	8"	—	6-1-2261	3 ¹³ / ₃₂ "	M-8"	6-2-759	1710
1650/1710	8"	—	6-1-2391	4 ¹³ / ₃₂ "	M-6 ⁷ / ₁₆ "	—	—
1650/1710	8"	6-1-2401X	6-1-2391	4 ¹³ / ₃₂ "	M-6 ⁷ / ₁₆ "	5-2-789	1650
1650/1710	8"	6-1-2401X	6-1-2391	4 ¹³ / ₃₂ "	M-6 ⁷ / ₁₆ "	6-2-789	1700
1650/1710	8"	6-1-2801X	6-1-2391	4 ¹³ / ₃₂ "	M-6 ⁷ / ₁₆ "	5-2-789	1650
1650/1710	8"	6-1-2801X	6-1-2391	4 ¹³ / ₃₂ "	M-6 ⁷ / ₁₆ "	6-2-789	1700
1710	8"	6-1-3091X	6-1-3081	2 ⁷ / ₁₆ "	F-6 ¹ / ₂ "	—	—

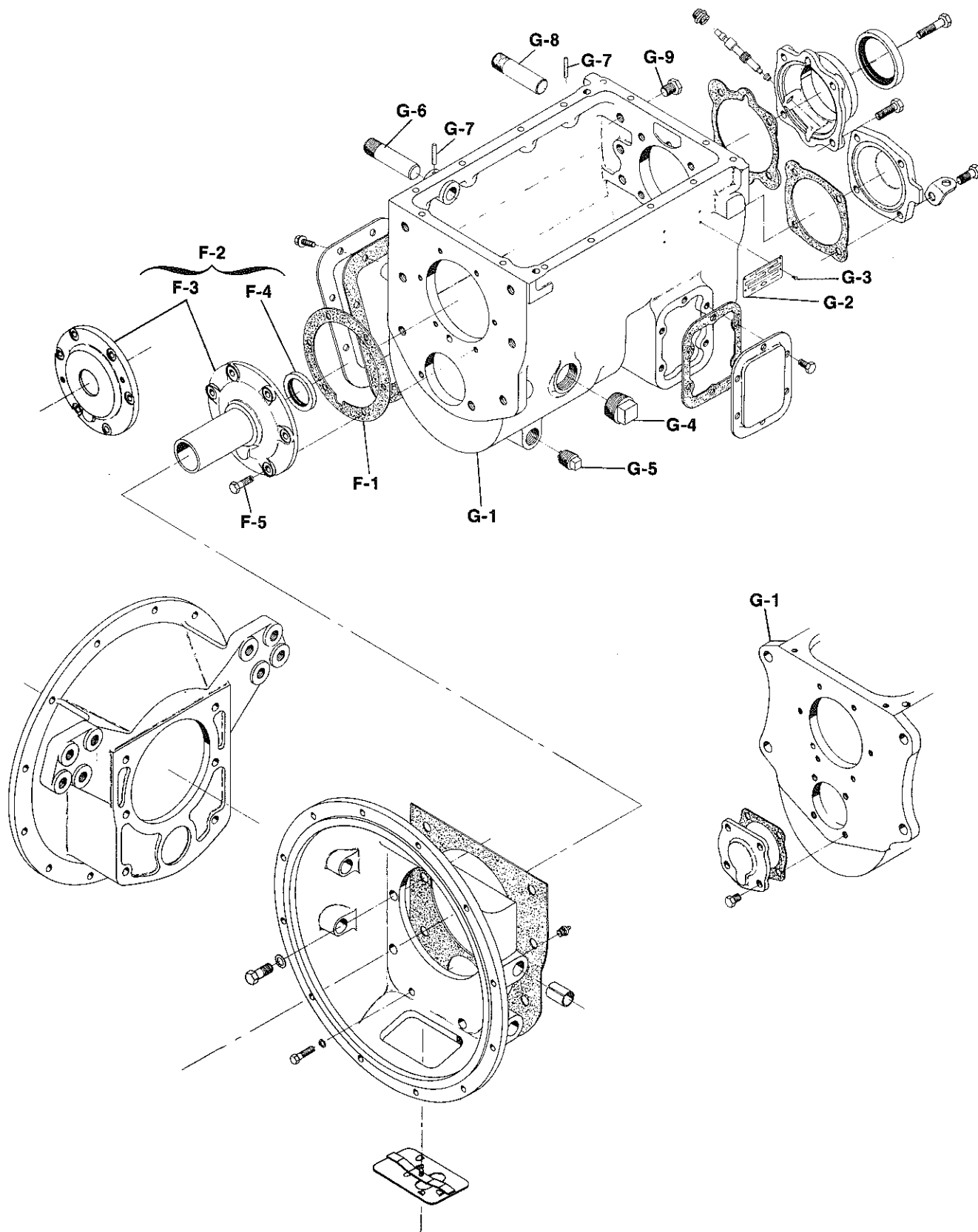
End Yokes

Joint Series	End Yoke Sub-Assembly	S End of Hub to Center Line Length	Joint Angle
1550	4-4-2941	4 ²⁹ / ₃₂ "	21 ¹ / ₂ °
1600	5-4-1441	5 ⁵ / ₈ "	30°
1600	5-4-1661	5"	22°
1650	5-4-3091	5 ⁵ / ₃₂ "	22°
1700	6-4-1721	5"	22°
1700	6-4-2361	5 ¹ / ₄ "	22°



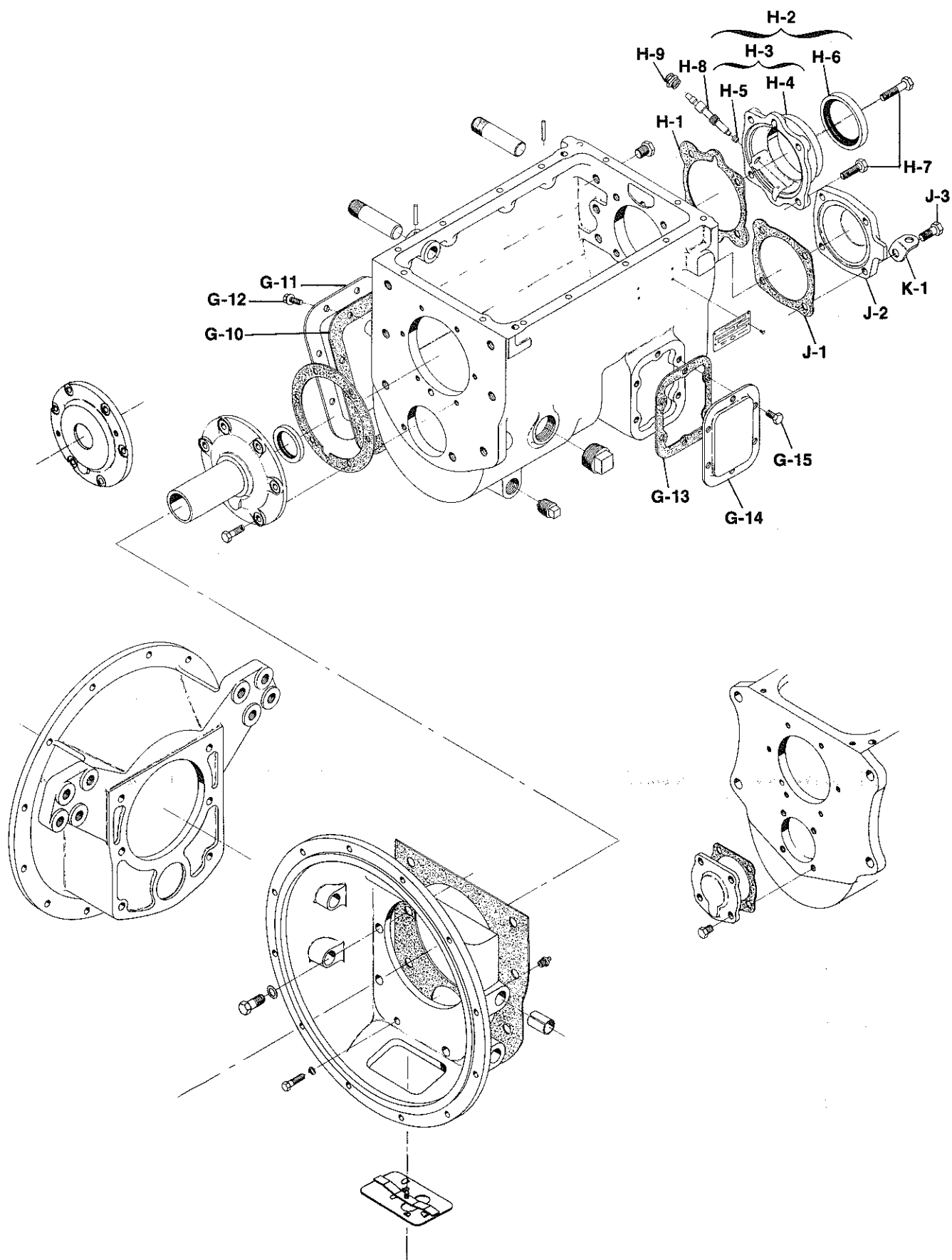
Ref No.	Part No.	Part Description	Serial Number	
			Before 1620599	After 1620600
CLUTCH HOUSING GROUP				
E-1 or	290C-46 290C-52	Gasket—countershaft bearing hole dia. 4 ¹ / ₃₂ " Gasket—countershaft bearing hole dia. 3 ⁵ / ₈ "	1	1
E-2	See Tab Bills	Clutch Housing Assembly	1	1
E-3	See Clutch Chart	Clutch Housing (See Chart, Pages 30-31)	1	1
E-4		Hand Hole Cover Assembly	1	1
	46-96-2-1X 97-96-18-1X	Replaces, 22-96-5 cover 3 ⁵ / ₈ "x5 ³ / ₄ " Replaces, 50-96-20 cover 4 ¹ / ₈ "x5 ³ / ₄ "		
E-4	{ 30-96-5 30-118-1 545026	Hand Hole Cover 3 ¹ / ₄ "x5 ⁵ / ₈ "	1	1
		Gasket	1	1
		Screw, 3/8"-18x7/8" self locking	6	6
E-5 or	128C-20 128C-36	Bushing (See Clutch Chart, Pages 30-31)	A.R.	A.R.
N.S.	74-463-1	Bushing (See Clutch Chart, Pages 30-31)		
E-6	500169-5	Oil Seal—release shaft (Military) Zerk Fitting—grease	2 2	2 2
MOUNTED WITH BOLTS				
E-7 or	500357-15 500362-15	Lockwasher—5/8" (internal tooth)	7	7
E-8	1111-D	Lockwasher—5/8" (external tooth)		
E-8 or	545008-3	Bolt—5/8"-11x1 ³ / ₈ " self locking	7	7
E-9	500357-12	Bolt—5/8"-11x1 ³ / ₄ " self locking		
E-9 or	500362-12	Lockwasher—7/16" (internal tooth)	1	1
E-10	500399-13	Lockwasher—7/16" (external tooth)		
		Bolt—7/16"-14x1 ³ / ₈ " hex head	1	1
MOUNTED WITH STUDS				
E-7	29W	Lockwasher—5/8"	7	7
E-8 or	366-V 330251	Stud—5/8"-11 & 18x2 ¹ / ₄ "	7	7
N.S.	500371-7	Stud—5/8"-11 & 18x2 ⁵ / ₈ "		
E-9	390-W	Nut—5/8"-18	7	7
E-10	46-V	Lockwasher—7/16"	1	1
N.S.	500391-4	Stud—7/16" 14 & 20x1 ⁵ / ₁₆ "	1	1
N.S.	LW-1	Nut—7/16"-20	1	1
		Lockwire	A.R.	A.R.
FOR MILITARY				
E-11	62-223-16	Gasket—countershaft (clutch housing)	1	1
E-7	500362-15	Lockwasher—5/8" (external tooth)	7	7
E-8	330158	Stud—5/8"-11 & 18x2"	7	7
N.S.	500371-7	Nut—5/8"-18	7	7
COUNTERSHAFT FRONT BRG. CAP (Ford only)				
E-11	70-223-23	Gasket	1	1
E-12	70-22-16	Bearing Cap	1	1
E-13	330800	Bolt—3/8"-16 x 3/4" self locking	4	4

N.S. - Not Shown
A.R. - As Required



Ref. No.	Part No.	Part Description	Serial Number		
			Before 1620599	After 1620600	
DRIVE GEAR BEARING CAP GROUP					
F-1	62-223-13	Gasket	1	1	
or	62-223-13	Gasket (Reo-w/adaptor ring)	2	—	
or	62-223-17	Gasket (Ford—cases 312004X, 62-15-73-1X)	1	1	
F-2	See Tab Bills	Bearing Cap and Seal Assembly	1	1	
F-3	N.S.S.	Bearing Cap—(See Cap Chart Page 32)	1	1	
F-4	62-463-8	Oil Seal (2.506" O.D.)	1	1	
or	62-463-14	Oil Seal (1.989" O.D.)	1	1	
F-5	545002-4	Bolt— $\frac{3}{8}$ "-16 x $1\frac{1}{8}$ " self locking	6	6	
F-5	500357-11	Lockwasher— $\frac{3}{8}$ "	6	—	
	500398-16	Bolt— $\frac{3}{8}$ "-16 x $1\frac{3}{4}$ " used with lockwasher	6	—	
F-5	500362-11	Lockwasher— $\frac{3}{8}$ " (external tooth)	6	—	
	315-V	Stud— $\frac{3}{8}$ "-16 & 24x $1\frac{5}{8}$ "	6	—	
	500371-3	Nut— $\frac{3}{8}$ "-24	6	—	
N.S.	62-215-1	Plate—mounting support (Reo)	1	—	
N.S.	62-19-51	Adapter Ring (Reo)	1	—	
N.S.	330242	Stud—guide Release Bearing	A.R.	—	
N.S.	608-W	Washer Release Bearing	A.R.	—	
N.S.	240C-28	Plate—stud spring Release Bearing	A.R.	—	
CASE GROUP					
G-1	See Tab Bills	Case Assembly (See Case Chart Pages 26-29)	1	1	
G-2	See Case Chart	Nameplate	1	1	
G-3	252-SP	Pins-nameplate	4	4	
G-4		Filler Plug	1	1	
	330643	$1\frac{1}{4}$ "-11.5 squarehead, cadmian plated			
	500093	$1\frac{1}{4}$ "-11.5 square head			
	500100	$\frac{3}{4}$ "-14 square socket			
G-5		Drain Plug	1	1	
	21-39-1	$\frac{3}{4}$ "-14 square head magnetic			
	62-39-3	$\frac{3}{4}$ "-14 square head magnetic			
	62-39-4	$\frac{3}{4}$ "-14 square socket magnetic			
	500001	$\frac{3}{4}$ "-14 square socket magnetic (Military)			
	500091	$\frac{3}{4}$ "-14 square head			
G-5	27-39-1	$\frac{1}{2}$ "-14 square head magnetic w/bushing	1	1	
N.S.	500714-1	$\frac{3}{4}$ " to $\frac{1}{2}$ "-14 Bushing	1	1	
N.S.	500114	Plug-temperature indicator hole ($\frac{1}{2}$ "-14)	1	1	
G-6		Stud—brake lever	1	1	
	144Q-54	$\frac{7}{8}$ " x $6\frac{7}{16}$ " (Not threaded)			
	or	$\frac{7}{8}$ "-16 x $3\frac{7}{8}$ "			
	or	$\frac{7}{8}$ "-16 x $5\frac{1}{4}$ "			
	or	312-SP	Plug—brake lever stud hole ($\frac{7}{8}$ " x 1")		
	G-7	330216-3	Pin—brake lever stud	2	2
G-8	144Q-65	Stud—brake bell crank	1	1	
G-7	330216-3	Pin—brake bell crank	1	1	
G-9	266-D	Case Bolt— $\frac{5}{8}$ "-11x $\frac{7}{16}$ "	5	5	
		with - M/S Rear Brg. Cap Ass'y. 310210X	3	3	

N.S.S. - Not Sold Separately N.S. - Not Shown A.R. - As Required



Ref. No.	Part No.	Part Description	Serial Number		
			Before 1620599	After 1620600	
P.T.O.—8 BOLT OPENING					
G-10	22P-22	Gasket—aperture cover	1	1	
G-11	73-267-1	Aperture Cover	1	1	
G-12	545002	Bolt— $\frac{7}{16}$ "-14 x $\frac{3}{4}$ " flanged head self locking	8	8	
P.T.O.—6 Bolt Opening (per opening)					
G-13	46-324-1	Gasket—aperture cover	1	1	
G-14	50-267-2	Aperture Cover	1	1	
G-15	330800	Bolt— $\frac{3}{8}$ "-16 x $\frac{3}{4}$ " self locking	6	6	
"	330640-1	Bolt— $\frac{3}{8}$ "-16 x $\frac{3}{4}$ " (with washer) Military	6	6	
MAINSHAFT REAR BEARING CAP GROUP					
H-1	62-223-12	Gasket—4 holes	1	1	
or	62-223-14	Gasket—6 holes, for 310210X only			
H-2	See Tab Bills	Bearing Cap, Seal and Bushing Assembly	1	1	
H-3	See tab Bills	Bearing Cap and Bushing Assembly	1	1	
H-4	N.S.S.	Bearing Cap	1	1	
H-5	60-475-1	Speedometer Bushing	1	1	
H-6		Oil Seal	1	1	
	60-463-8	$3\frac{3}{4}$ " O.D.- $2\frac{3}{4}$ " I.D.			
	62-463-5	$3\frac{3}{4}$ " O.D.- $2\frac{3}{4}$ " I.D.			
	62-463-6	4" O.D.- $2\frac{15}{16}$ " I.D.			
	71-463-12	$3\frac{1}{2}$ " O.D.- $2\frac{3}{4}$ " I.D.			
H-7	545001-1	Bolt— $\frac{1}{2}$ "-13 x $1\frac{3}{8}$ " self locking	4	4	
"	545001-2	Bolt— $\frac{1}{2}$ "-13 x $2\frac{1}{4}$ " self locking (w/3, 545001-1)	1	1	
"	545008-1	Bolt— $\frac{5}{8}$ "-11 x $1\frac{1}{2}$ " self locking (6 hole cap)	2	2	
H-7	330645-5	Bolt— $\frac{1}{2}$ "-13 x $1\frac{1}{2}$ " hex head	4	4	
	501130-13	Washer— $\frac{1}{2}$ "	4	4	
H-7	346-V	Stud— $\frac{1}{2}$ "-13 & 20 x 2"	4	4	
	330180-1	Stud— $\frac{1}{2}$ "-13 & 20 x $2\frac{7}{8}$ " (With (3), 346-V)	1	1	
	500357-13	Washer— $\frac{1}{2}$ "	4	4	
	500371-5	Nut— $\frac{1}{2}$ "-20	4	4	
H-8	See Tab Bills	Gears—speedometer driven	1	1	
"	55-434-1	Plug—(used without speedometer driven gear)			
H-9	46-454-2	Sleeve—speedometer driven gear 4" length	1	1	
"	55-454-1	Sleeve—speedometer driven gear $1\frac{1}{4}$ " length			
"	44-473-1	Sleeve—speedometer driven gear 5" length			
COUNTERSHAFT REAR BEARING CAP GROUP					
Iron Case	J-1	55-223-17	Gasket	1	1
	J-2	62-22-6	Bearing Cap	1	1
	J-3	545001-4	Bolt— $\frac{1}{2}$ "-13 x $1\frac{1}{2}$ " self locking	4	4
	"	545001-1	Bolt— $\frac{1}{2}$ "-13 x $1\frac{3}{8}$ " self locking		
Alum. Case	J-1	62-223-15	Gasket	1	—
	J-2	62-22-7	Bearing Cap	1	—
	J-3	346-V	Stud— $\frac{1}{2}$ "-13 & 20 x 2"	4	—
	N.S.	501130-13	Washer— $\frac{1}{2}$ "	4	—
	N.S.	500371-5	Nut— $\frac{1}{2}$ "-20	4	—
K-1	330564-3	Lift Hook	1	1	

N.S.S. - Not Sold Separately N.S. - Not Shown

Identification & Interchangeability

CASE ASSEMBLY	CASE		(4 Pins) G-3 Name Plate G-2	OIL PLUG		BRAKE			For Service Use
	Casting No.	Part No.		Filler G-4	Drain G-5	Lever Stud or Plug G-6	Lever Stud Pin G-7	Bell Crank Stud G-8	

Iron Cases with Two SAE 6 Bolt P.T.O. Apertures

Case 62-15-19

310503X	C62-19-20	62-15-19	NP-100	330643	500001	—	—	—	—
312847X	"	"	NP-96	500093	62-39-3	312-SP	—	—	—

Case 62-15-23 with 7/8" hole for Brake Lever Stud 144-Q-60

8090X	C62-15-20	62-15-23	NP-1	500093	500091	—	—	—	62-16-66-2X
310037X	"	"	NP-96	"	"	—	—	—	"
310066X	"	"	NP-1	"	62-39-3	312-SP	—	—	"
310297X	"	"	"	"	21-39-1	—	—	—	"
310498X	"	"	"	"	62-39-3	144Q-60	330216-3	—	62-16-66-4X
310641X	C62-15-20	62-15-23	NP-1	500093	62-39-3	144Q-63	330216-3	—	Void
310735X	"	"	"	"	21-39-1	312-SP	—	—	62-15-66-2X
310940X	"	"	"	"	"	144Q-60	330216-3	—	62-15-66-4X
311238X	"	"	NP-96	"	62-39-3	312-SP	—	—	62-15-66-2X
312669X	"	"	"	"	"	144Q-54	330216-3	—	62-15-66-10X
313003X	C62-15-20	62-15-23	NP-113	500093	62-39-3	144Q-60	330216-3	—	—
62-15-23-1X	"	"	NP-139	"	"	312-SP	—	—	—

Case 62-15-24 with 7/8" hole for Brake Lever Stud 144-Q-60 and 3/4" hole for Brake Bell Crank Stud 144-Q-65

8086X	C62-15-20	62-15-24	NP-1	500093	500091	—	330216-3	144Q-65	62-15-67-4X
311487X	"	"	"	"	62-39-3	312-SP	"	"	"
311667X	"	"	"	"	"	144Q-60	"	"	62-15-67-8X
311705X	"	"	"	"	500091	"	"	—	—
311765X	"	"	"	"	62-39-3	312-SP	—	—	62-15-67-6X
311793X	C62-15-20	62-15-24	NP-96	500093	62-39-3	144Q-60	330216-3	—	62-15-67-2X
312670X	"	"	"	"	"	"	"	144Q-65	62-15-67-8X
312671X	"	"	"	"	"	312-SP	"	"	62-15-67-4X

Case 62-15-28

310494X	C62-15-20	62-15-28	NP-1	500093	500091	—	—	—	—
---------	-----------	----------	------	--------	--------	---	---	---	---

Case 62-15-30

310766X	C62-15-31	62-15-30	NP-1	500093	500091	—	—	—	312113X
311249X	"	"	"	"	62-39-4	—	—	—	—

Case 62-15-33

—	C62-15-31-1	62-15-33	NP-1*	500093*	500091	—	—	—	—
---	-------------	----------	-------	---------	--------	---	---	---	---

*No Assembly Available: Components only

Case 62-15-35 with 7/8" hole for Brake Lever Stud

*311012X	C62-15-20-1	62-15-35	NP-1	500093	500091	—	—	—	62-15-64-2X
*311788X	"	"	NP-96	"	62-39-3	312-SP	—	—	"

*Also includes (2) Bolts 500398-6 and (2) Lockwashers 500357-11.

Identification & Interchangeability

CASE ASSEMBLY	CASE		(4 Pins) G-3 Name Plate G-2	OIL PLUG		BRAKE			For Service Use
	Casting No.	Part No.		Filler G-4	Drain G-5	Lever Stud or Plug G-6	Lever Stud Pin G-7	Bell Crank Stud G-8	
Iron Cases with Two SAE 6 Bolt P.T.O. Apertures (Continued)									
Case 62-15-37									
311250X	C62-15-38	62-15-37	NP-1	500093	62-39-4	—	—	—	62-15-63-1X
Case 62-15-39 with 3/4" hole for Brake Lever Stud									
311182X	C62-15-20-1	62-15-39	NP-1	500093	500091	—	—	—	—
Case 62-15-44 with 7/8" hole for Brake Lever Stud 144-Q-60									
311545X	C62-15-20	62-15-44	NP-96	500093	62-39-3	312-SP	—	—	62-15-68-1X
Case 62-15-45									
311633X	C62-15-38	62-15-45	NP-1	500093	62-39-4	—	—	—	62-15-63-2X
Case 62-15-49									
311850X	C62-15-20	62-15-49	NP-1	500093	500091	312-SP	—	—	62-15-19
Case 62-15-51									
311900X	C62-15-20	62-15-51	NP-1	500093	500091	312-SP	—	—	—
Case 62-15-54 with Four 2 1/32" holes for Ford Clutch Housing									
312004X	C62-15-31-1	62-15-54	NP-96	500093	63-39-4	—	—	—	62-15-73-1X
Case 62-15-58									
312761X	C62-15-20	62-15-58	NP-1	500093	62-39-3	—	330216-3	144Q-65	62-15-69-2X
Case 62-15-60									
—	C62-15-20	62-15-60	NP-1*	500093*	62-39-3*	—	—	—	311900X
*No Assembly Available: Components only									
Case 62-15-61									
312872X	C62-15-20	62-15-61	NP-96	500100	500091	—	—	—	—
Case 62-15-62									
■62-15-62-1X	C62-15-20	62-15-62	NP-2	500100	62-39-3	—	330216-3	144Q-65	—
311005X	"	"	"	"	"	—	"	"	62-15-62-1X
311662X	"	"	"	"	"	—	—	—	"
311848X	"	"	"	"	"	—	330216-3	144Q-65	"
Case 62-15-63									
62-15-63-1X	C62-15-38-2	62-15-63	NP-96	500100	62-39-4	—	—	—	—
■62-15-63-2X	"	"	"	"	"	—	—	—	—
Case 62-15-64									
62-15-64-1X	C62-15-20-1	62-15-64	NP-96	500100	62-39-3	312-SP	—	—	Void
■62-15-64-2X	"	"	"	"	"	"	—	—	Void

■Also includes 62-60-5 Reverse Idler Shaft, and (2) 330592 Thrust Washers

Identification & Interchangeability

CASE ASSEMBLY	CASE		(4 Pins) G-3 Name Plate G-2	OIL PLUG		BRAKE			For Service Use
	Casting No.	Part No.		Filler G-4	Drain G-5	Lever Stud or Plug G-6	Lever Stud Pin G-7	Bell Crank Stud G-8	

Iron Cases with Two SAE 6 Bolt P.T.O. Apertures (Continued)

Case 62-15-66

62-15-66-1X	C62-15-20	62-15-66	NP-96	500100	62-39-3	312-SP	—	—	Void
■62-15-66-2X	"	"	"	"	"	"	—	—	Void
62-15-66-3X	"	"	"	"	"	144Q-60	330216-3	—	—
■62-15-66-4X	"	"	"	"	"	"	"	—	—
62-15-66-5X	"	"	NP-113	"	"	"	"	—	—
62-15-66-9X	"	"	NP-96	"	"	144Q-54	"	—	—
■62-15-66-10X	"	"	"	"	"	"	"	—	—
62-15-66-11X	"	"	NP-113	"	"	312-SP	—	—	—

Case 62-15-67

62-15-67-1X	C62-15-20	62-15-67	NP-96	500100	62-39-3	144Q-60	330216-3	—	—
62-15-67-3X	"	"	"	"	"	312-SP	"	144Q-65	—
■62-15-67-4X	"	"	"	"	"	"	"	"	—
62-15-67-5X	"	"	"	"	"	"	—	—	—
■62-15-67-6X	"	"	"	"	"	"	—	—	—
62-15-67-7X	"	"	"	"	"	144Q-60	330216-3	144Q-65	—

Case 62-15-68

62-15-68-1X	C62-15-20	62-15-68	NP-96	500100	62-39-3	312-SP	—	—	—
■62-15-68-2X	"	"	"	"	"	"	—	—	—

Case 62-15-69

62-15-69-1X	C62-15-20	62-15-69	NP-96	500100	62-39-3	—	330216-3	144Q-65	—
■62-15-69-2X	"	"	"	"	"	—	"	"	—

Case 62-15-73

62-15-73-1X	C62-15-31-1	62-15-73	NP-96	500100	62-39-4	—	—	—	—
■62-15-73-2X	"	"	"	"	"	—	—	—	—

Iron Cases with SAE 6 & 8 Bolt P.T.O. Apertures

Case 62-15-40 with 7/8" hole for Brake Lever Stud 144-Q-60

311448X	C62-15-41-2	62-15-40	NP-1	500093	62-39-3	312-SP	—	—	62-15-70-2X
311516X	"	"	NP-2	"	"	—	—	—	—
311629X	"	"	NP-1	"	500091	144Q-60	330216-3	—	62-15-70-4X
312043X	"	"	"	"	62-39-4	312-SP	—	—	—
312166X	"	"	NP-96	"	62-39-3	"	—	—	62-15-70-2X

■Also includes 60-20-5 Reverse Idler Shaft, and (2) 330592 Thrust Washers

Identification & Interchangeability

CASE ASSEMBLY	CASE		(4 Pins) G-3 Name Plate G-2	OIL PLUG		BRAKE			For Service Use
	Casting No.	Part No.		Filler G-4	Drain G-5	Lever Stud or Plug G-6	Lever Stud Pin G-7	Bell Crank Stud G-8	

Iron Cases with SAE 6 & 8 Bolt P.T.O. Apertures (Continued)

Case 62-15-50 with 7/8" hole for Brake Lever Stud 144-Q-60 and Two 3/4" holes for Brake Bell Crank or Support Stud 144-Q-65

311681X	C62-15-41-2	62-15-50	NP-1	500093	62-39-3	312-SP	330216-3	144Q-65	62-15-71-2X
311884X	"	"	NP-67	"	"	"	"	"	Void
311889X	"	"	NP-2	"	"	"	"	"	Void
312455X	"	"	"	"	"	"	—	—	—

Case 62-15-52

311993X	C62-15-53	62-15-52	NP-96	500100	62-39-4	—	—	—	—
---------	-----------	----------	-------	--------	---------	---	---	---	---

Case 62-15-57 with 7/8" hole for Brake Lever Stud

Case 62-15-57 with Seven holes for 5/8" screws for Spicer Clutch Housings 7041X and 8005X or Ford 312653 Clutch Housing

312209X	C62-15-41-2	62-15-57	NP-96	500100	62-39-4	312-SP	—	—	—
---------	-------------	----------	-------	--------	---------	--------	---	---	---

Case 62-15-70

62-15-70-1X	C62-15-41-3	62-15-70	NP-96	500100	62-39-3	312-SP	—	—	Void
■62-15-70-2X	"	"	"	"	"	"	—	—	Void

Case 62-15-71

62-15-71-1X	C62-15-41-3	62-15-71	NP-96	500100	62-39-3	312-SP	330216-3	144Q-65	—
■62-15-71-2X	"	"	"	"	"	"	"	"	—
62-15-71-5X	"	"	"	"	"	144Q-60	"	—	—
62-15-71-7X	"	"	"	"	"	312-SP	"	144Q-65	—

ALUMINUM CASE

Aluminum Cases with Two SAE 6 Bolt P.T.O. Apertures — Used with Reverse Idler Shaft 62-60-4

8029X	C62-15-22	62-15-21	—	—	—	—	—	—	—
310441X	"	62-15-25	NP-1	500093	500091	—	—	—	62-15-22-2X
310728X	"	"	"	"	62-39-3	312-SP	—	—	"
310867X	"	62-15-34	"	"	"	"	330216-3	144Q-65	62-15-67-4X
311758X	"	"	"	"	"	—	—	—	62-15-67-6X
311061X	"	62-15-36	"	"	"	—	—	—	62-15-66-2X

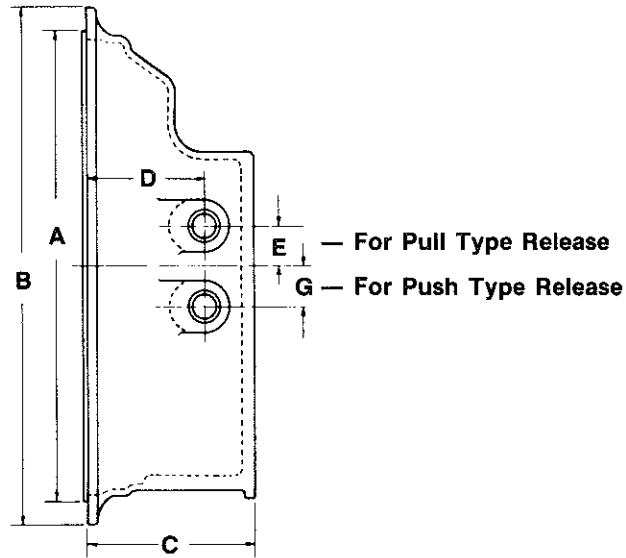
Aluminum Case with Two SAE 6 Bolt P.T.O. Apertures — Used with Reverse Idler Shaft 62-60-5 for Ford

Case 62-15-56 with Seven holes for 5/8" screws for Spicer Clutch Housings 7041X and 8005X or Ford 312653 Clutch Housing.

311359X	C62-15-22-1	62-15-42	NP-1	500093	21-39-1	—	—	—	62-15-63-2X
312010X	C62-15-22-2	62-15-56	NP-96	"	62-39-4	—	—	—	"

■Also includes Reverse Idler Shaft, and (2) 330592 Thrust Washers

SAE		
Size No.	A Pilot Dia.	B O.D.
1	20 ¹ / ₈ "	21 ³ / ₄ "
2	17 ⁵ / ₈ "	19 ¹ / ₄ "
3	16 ¹ / ₈ "	17 ³ / ₄ "

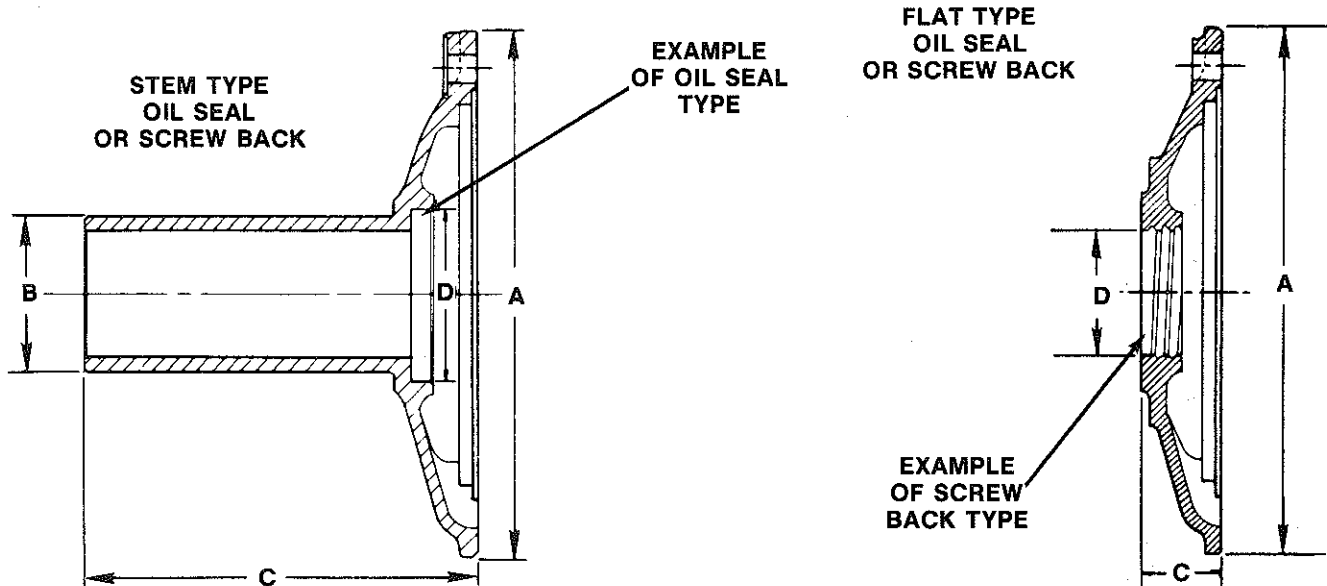


CLUTCH HOUSING					RELEASE SHAFT HOLE					For Service Use
Assembly No. E-2	Bushing No. E-5	Part No. E-3	Casting No.	S A E	C Length	Dia.	D C/L to Front Face	E Above C/L	G Below C/L	
7005X	128C-20	102C-444	C102C-430-1	2	5 ¹ / ₁₆ "	1"	2 ¹⁷ / ₃₂ "	—	1 ¹ / ₂ "	Void
7041X	128C-20	102C-429	"	2	5 ¹ / ₁₆ "	1"	3"	1 ¹ / ₂ "	—	62-518-27-1X
7043X	128C-20	102C-434	"	2	5 ¹ / ₁₆ "	1"	2 ¹⁷ / ₃₂ "	—	2 ⁵ / ₈ "	62-518-27-1X
7044X	128C-36	102C-451	C102C-452	1	6 ¹ / ₂ "	1 ¹ / ₄ "	2 ¹³ / ₁₆ "	—	3 ⁷ / ₁₆ "	—
7045X	128C-20	102C-457	C102C-430-2	1	5 ¹ / ₁₆ "	1"	3"	1 ¹ / ₂ "	—	Void
7046X	128C-20	102C-462	C102C-430-1	2	5 ¹ / ₁₆ "	1"	2 ¹⁷ / ₃₂ "	—	2 ⁵ / ₈ "	62-518-27-1X
7301X	128C-20	102C-470	C102C-471	2	5 ¹ / ₁₆ "	1"	2 ¹ / ₂ "	1 ¹ / ₂ "	—	Void
7521X	128C-20	102C-450	C62-518-13	2	6 ¹ / ₂ "	1"	4 ³ / ₁₆ "	1 ¹ / ₂ "	—	Void
7522X	128C-20	102C-482	C102C-430-1	2	5 ¹ / ₁₆ "	1"	2 ¹⁷ / ₃₂ "	—	2 ⁵ / ₈ "	—
7969X	128C-20	102C-506	C102C-507	3	6 ¹ / ₂ "	1"	4 ³ / ₁₆ "	1 ¹ / ₂ "	—	Void
8005X	128C-20	102C-505	C62-518-13	2	6 ¹ / ₂ "	1"	4 ³ / ₁₆ "	1 ¹ / ₂ "	—	62-518-30-1X
8014X	128C-20	102C-511	C102C-512	2	5 ¹ / ₁₆ "	1"	2 ¹⁷ / ₃₂ "	—	2 ⁵ / ₈ "	312283X
8019X	1286-20	102C-513	C62-518-13	2	6 ¹ / ₂ "	1"	3 ³ / ₄ "	1 ¹ / ₂ "	—	62-518-29-1X
8140X	128C-20	102C-515	C102C-516	1	6 ¹ / ₂ "	1"	4 ³ / ₁₆ "	1 ¹ / ₂ "	—	Void
310034X	128C-20	102C-520	C102C-521	1	6 ¹ / ₂ "	1"	3 ³ / ₄ "	1 ¹ / ₂ "	—	Void
310099X	128C-20	102C-524	C102C-525	2	5 ¹ / ₁₆ "	1"	3"	1 ¹ / ₂ "	—	Void
310170X	128C-20	102C-522	C102C-523	1	5 ¹ / ₁₆ "	1"	2 ¹ / ₂ "	1 ¹ / ₂ "	—	Void
310214X	128C-20	102C-535	C102C-516	1	6 ¹ / ₂ "	1"	3 ³ / ₄ "	1 ¹ / ₂ "	—	Void
310230X	128C-20	102C-536	C102C-523	1	5 ¹ / ₁₆ "	1"	2 ¹⁷ / ₃₂ "	—	2 ⁵ / ₈ "	Void
310261X	128C-20	102C-537	C102C-516-1	1	6 ¹ / ₂ "	1"	3 ³ / ₄ "	—	2 ⁵ / ₈ "	Void
310329X	128C-20	102C-546	C102C-432-2	2	6 ¹ / ₂ "	1"	3 ¹ / ₁₆ "	—	2 ³ / ₈ "	Void
310432X	128C-20	102C-552	C102C-516	1	6 ¹ / ₂ "	1"	3 ³ / ₄ "	1 ¹ / ₂ "	—	62-518-32-1X
310475X	128C-20	102C-553	C102C-346	2	6 ³ / ₁₆ "	1"	3"	—	2 ¹ / ₂ "	Void
310613X	128C-20	102C-559	C102C-516	1	6 ¹ / ₂ "	1"	3 ³ / ₄ "	1 ¹ / ₂ "	—	62-518-32-1X
310753X	128C-20	62-518-1	C102C-516-1	1	6 ¹ / ₂ "	1"	3 ³ / ₄ "	—	2 ⁵ / ₈ "	62-518-32-1X
310802X	128C-20	62-518-4	C102C-516-1	1	6 ¹ / ₂ "	1"	3 ³ / ₄ "	—	2 ⁵ / ₈ "	62-518-32-1X
310814X	128C-20	62-518-5	C102C-516	1	6 ¹ / ₂ "	1"	4 ³ / ₁₆ "	1 ¹ / ₂ "	—	Void
310821X	128C-20	62-518-6	C102C-521	1	6 ¹ / ₂ "	1"	3 ³ / ₄ "	1 ¹ / ₂ "	—	62-518-32-1X
310921X	128C-20	62-518-7	C102C-471	2	5 ¹ / ₁₆ "	1"	2 ¹⁷ / ₃₂ "	—	2 ⁵ / ₈ "	312283X
310971X	128C-20	62-518-12	C102C-523	1	5 ¹ / ₁₆ "	1"	2 ¹ / ₂ "	2 ⁵ / ₈ "	—	312057X

MODEL 6000 CLUTCH HOUSING DIMENSIONS

CLUTCH HOUSING					C Length	RELEASE SHAFT HOLE				For Service Use
Assembly No. E-2	Bushing No. E-5	Part No. E-3	Casting No.	S A E		Dia.	D C/L to Front Face	E Above C/L	G Below C/L	
*311258X	128C-20	62-518-14	C62-518-13	2	5 1/16"	1"	2 17/32"	—	2 5/8"	—
311689X	128C-20	62-518-17	C102C-523	1	5 1/16"	1"	2 1/2"	1 1/2"	—	Void
311699X	128C-20	62-518-18	C102C-516-1	1	6 1/2"	1"	3 3/4"	—	2 5/8"	62-518-32-1X
311847X	128C-20	62-518-20	C62-518-13	2	6 1/2"	1"	3 5/8"	—	2 1/2"	62-518-30-1X
311883X	128C-20	62-518-21	C102C-471	2	5 1/16"	1"	2 17/32"	—	2 5/8"	312283X
311939X	128C-20	62-518-22	C62-518-22	2	6 1/2"	1"	3 3/4"	—	2 5/8"	62-518-29-1X
*312057X	128C-20	62-518-23	C102C-523	1	5 1/16"	1"	2 1/2"	—	2 5/8"	—
● *312098X	128C-20	62-518-24	C62-518-25	2	6"	1"	3 5/8"	—	2 1/2"	Void
*312283X	128C-20	62-518-26	C102C-471	2	5 1/16"	1"	2 17/32"	—	2 5/8"	—
312826X	128C-20	73-518-4	C73-518-5	2	6 1/2"	1"	3 3/4"	1 1/2"	—	62-518-31-1X
—	—	102C-474	C102C-475-1	2	5 5/8"	1"	2 1/4"	—	3"	—
—	—	102C-506	C102C-507	3	6 1/2"	1"	4 3/16"	1 1/2"	—	Void
—	—	102C-509	C102C-510	2	5 1/16"	1"	2 17/32"	—	2 5/8"	—
—	—	102C-513	C62-518-13	2	6 1/2"	1"	3 3/4"	1 1/2"	—	62-518-29-1X
—	—	62-518-6	C102C-521	1	6 1/2"	1"	3 3/4"	1 1/2"	—	62-518-32-1X
—	—	62-518-8	C102C-475-1	2	5 5/8"	1"	2 9/16"	—	3"	Void
—	—	62-518-9	C102C-432-1	2	6 1/2"	1 1/4"	3 3/4"	1 1/2"	—	—
—	—	62-518-10	C102C-521	1	6 1/2"	1 1/4"	3 3/4"	1 1/2"	—	—
*62-518-27-1X	128C-20	62-518-27	C102C-430-3	2	5 1/16"	1"	{ 3" 2 17/32"	1 1/2"	—	—
*62-518-29-1X	128C-20	62-518-29	C62-518-13	2	6 1/2"	1"	{ 3 3/4" 3 5/8"	1 1/2"	—	—
*62-518-30-1X	128C-20	62-518-30	C62-518-13	2	6 1/2"	1"	{ 4 3/16" 3 5/8"	1 1/2"	—	—
*62-518-31-1X	128C-20	62-518-31	C73-518-5	2	6 1/2"	1"	{ 4 3/16" 3 5/8"	1 1/2"	—	—
*62-518-32-1X	128C-20	62-518-32	C102C-521	1	6 1/2"	1"	{ 3 3/4" 3 3/4"	1 1/2"	—	—
▲*62-518-35-1X	128C-20	62-518-35	C62-518-13	2	6 1/2"	1"	{ 4 3/16" 3 5/8"	1 1/2"	—	—
*62-518-36-1X	128C-20	62-518-36	C62-518-13	2	6 1/2"	1"	{ 3 3/4" 3 5/8"	1 1/2"	—	—
—	—	73-518-3	C73-518-2	2	5 5/8"	1"	2 3/4"	3"	—	—
▲312653	—	312653	—	2	6 1/2"	1"	3 5/8"	—	2 1/2"	—

- Side Nodal Mounting
- Nodal Mounting
- ▲ Special FORD only
- * Includes Handhole cover 46-96-2-1X



FRONT BEARING CAP CHART

A Outside Dia.	B Stem Dia.	C Length	D Inside Dia.		Front Bearing Cap		
			Screw Back	Oil Seal	Used By	Part No.	Assy. Incl. Oil Seal

FLAT TYPE — For Spicer Pull Type Clutches — PULL TYPE RELEASE

7 ⁵ / ₈ "	—	1 ¹³ / ₁₆ "	1.795"	—	General Use	62-19-22	—
7 ⁵ / ₈ "	—	1 ³ / ₁₆ "	—	2.502"	General Use	62-19-61	310729X

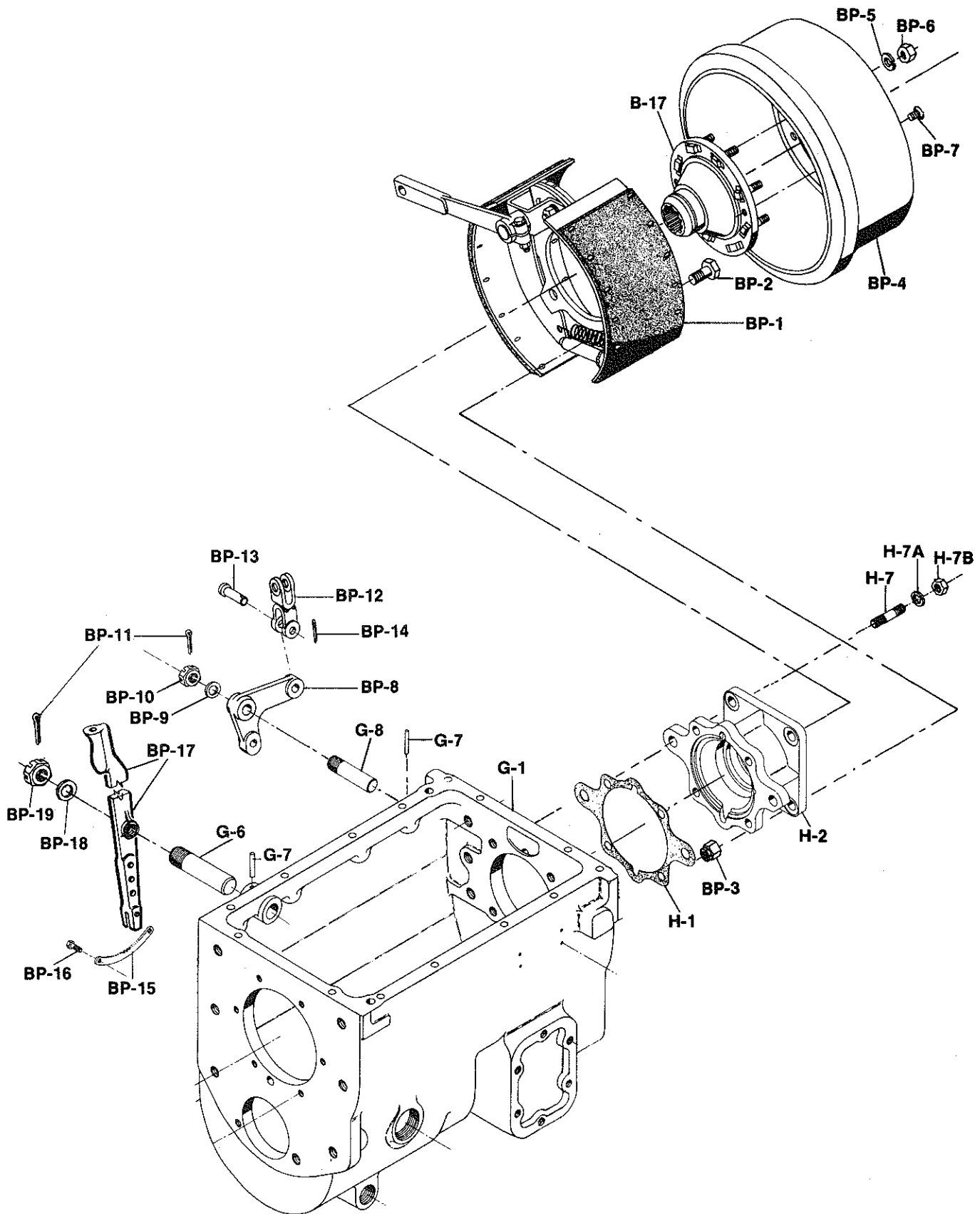
STEM TYPE — For all Push Type Clutches — PUSH TYPE RELEASE

7 ⁵ / ₈ "	1.872"	5 ³ / ₈ "	1.508"	—	General Use	62-19-45	—
7 ⁵ / ₈ "	1.872"	5 ⁵ / ₈ "	1.508"	—	General Use	62-19-70	—
7 ⁵ / ₈ "	1.872"	5 ²⁵ / ₃₂ "	1.508"	—	International	62-19-73	—
7 ⁵ / ₈ "	1.872"	6 ⁵ / ₃₂ "	1.508"	—	International	62-19-34	—
7 ⁵ / ₈ "	1.872"	5 ²⁵ / ₃₂ "	—	1.983"	International	62-19-79	62-19-79-1X
7 ⁵ / ₈ "	1.940"	6 ⁷ / ₃₂ "	1.508"	—	Ford	62-19-75	—
7 ⁵ / ₈ "	1.940"	6 ⁷ / ₃₂ "	1.508"	—	Ford	62-19-78	—
7 ⁵ / ₈ "	2.246"	5 ¹¹ / ₃₂ "	1.795"	—	General Use	62-19-31	—
7 ⁵ / ₈ "	2.246"	5 ¹⁷ / ₃₂ "	1.795"	—	General Use	62-19-25	—
7 ⁵ / ₈ "	2.246"	5 ¹⁷ / ₃₂ "	—	2.502"	General Use	62-19-49	310302X
7 ⁵ / ₈ "	2.246"	5 ²⁷ / ₃₂ "	—	2.502	GMC	62-19-71	312246X
7 ⁵ / ₈ "	2.246"	6 ⁷ / ₃₂ "	1.795"	—	GMC	62-19-55	—
7 ⁵ / ₈ "	2.246"	6 ⁷ / ₃₂ "	1.795"	—	GMC	62-19-66	—
7 ⁵ / ₈ "	2.246"	6 ¹³ / ₃₂ "	1.795"	—	Ford	62-19-64	—
7 ⁵ / ₈ "	2.246"	6 ²⁷ / ₃₂ "	1.795"	—	General Use	62-19-50	—
7 ⁵ / ₈ "	2.246"	6 ¹⁵ / ₁₆ "	1.795"	—	General Use	62-19-47	—
7 ⁵ / ₈ "	2.246"	6 ⁷ / ₃₂ "	1.795"	—	Ford	62-19-36	—
7 ⁵ / ₈ "	2.597	5 ²⁷ / ₃₂ "	2.047"	—	General Use	62-19-41	—

STEM TYPE — Used with Ford Clutch Housing and Case 312004X (Case Kit 312113X)

7 ¹ / ₃₂ "	1.940"	6 ⁷ / ₃₂ "	1.508"	—	Ford	62-19-59	—
7 ¹ / ₃₂ "	1.940"	6 ⁷ / ₃₂ "	1.508"	—	Ford	62-19-65	—
7 ¹ / ₃₂ "	1.940"	6 ⁷ / ₃₂ "	—	1.983"	Ford	62-19-80	62-19-80-1X
7 ⁵ / ₈ "	1.940"	6 ⁷ / ₃₂ "	—	1.983"	Ford	62-19-81	62-19-81-1X

Part No.	Part Description	No. Req'd.
313400-10X	BASIC OVERHAUL KIT	1
310068X 290C-52 62-223-13 62-223-17 46-324-1 22P-22 62-223-12 62-223-14 55-223-17 62-155-8 62-155-7	GASKET KIT	1 1 1 1 2 1 1 1 1 1 1
312261X 550046 310662X 550061 550520 550059 550122	BEARING KIT	1 1 1 1 1 1 1
62-381-5 425-SP 1001-W 62-381-4 62-381-8 62-381-9 500010-8 62-381-6 62-463-8 60-463-8 71-463-12	Ring-drive gear bearing snap	1 1 1 1 1 1 4 1 1 1 1
311475X 62-381-5 425-SP 1001-W 62-381-4 62-381-8 62-381-9 500010-8 62-381-6 32-12-1 289-SP 500166-5 50-80-1 44-72-2 62-438-2 62-72-8 38P-1	SMALL PARTS KIT (Not Part of Basic Overhaul Kit)	1 1 1 1 1 1 1 4 1 2 1 1 3 3 2 1 1



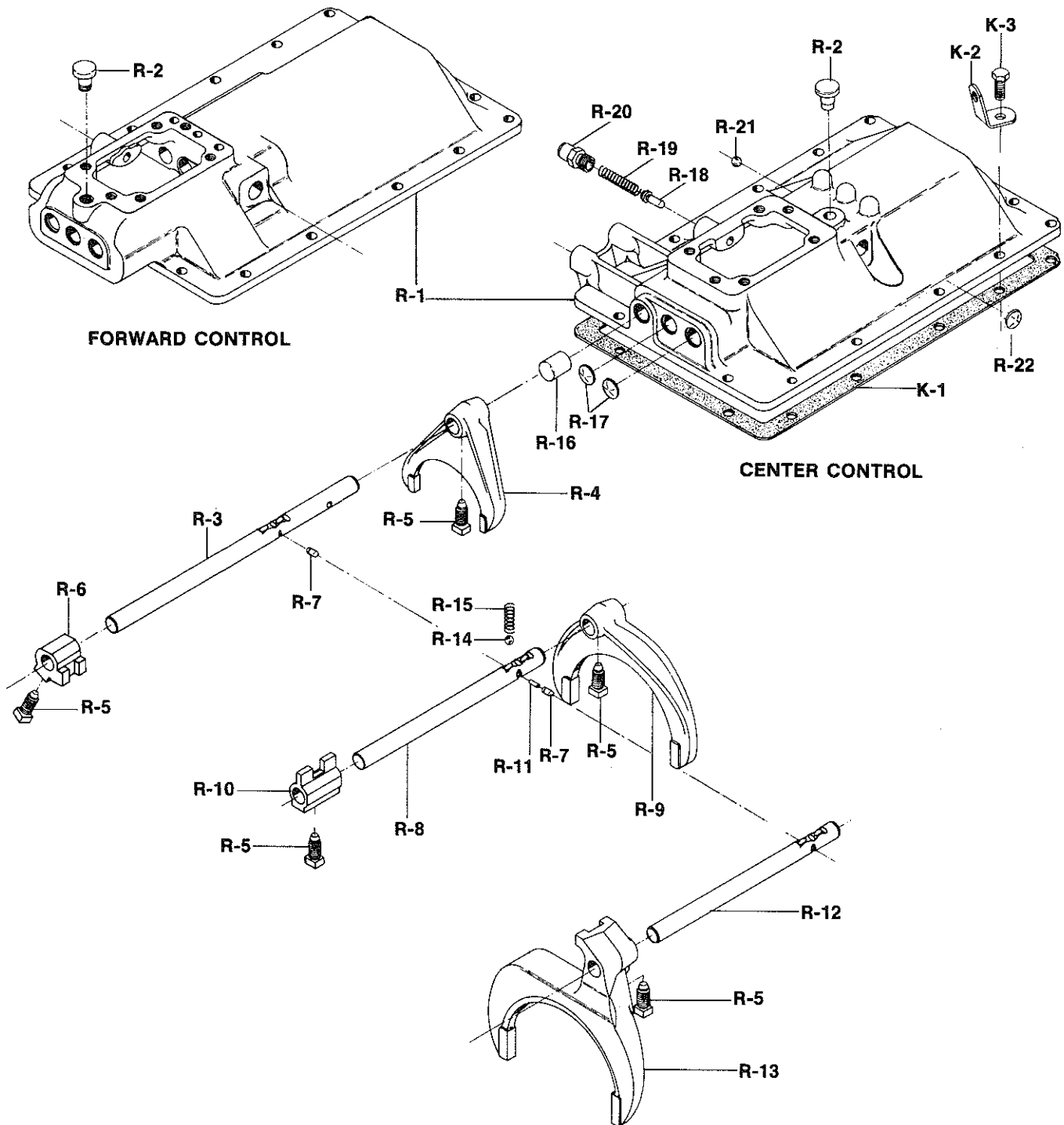
MODEL 6000 BRAKE PARTS

Spicer®

T210-6000

Ref. No.	Part No.	Part Description	Qty.
B-17	See Tab Bills	Companion Flange	1
G-1	See Tab Bills	Case Assembly	1
G-6		Stud—brake lever	1
	144Q-54	$\frac{7}{8}$ " x $6\frac{7}{16}$ " (Not threaded)	
or	144Q-60	$\frac{7}{8}$ "-16 x $3\frac{7}{8}$ "	
or	144Q-63	$\frac{7}{8}$ "-16 x $5\frac{1}{4}$ "	
or	312-SP	Plug—brake lever stud hole ($\frac{7}{8}$ " x 1")	
G-7	330216-3	Pin—brake lever stud	2
G-8	144Q-65	Stud—brake bell crank	1
H-1	62-223-14	Gasket—Mainshaft rear bearing cap	1
H-2	See Tab Bills	Bearing Cap, Seal and Bushing Assembly	1
H-7	247-V	Stud—brake mounting	4
H-7A	500357-15	Lock Washer— $\frac{5}{8}$ "	4
H-7B	500371-7	Nut— $\frac{5}{8}$ "-18	4
BP-1	310999	Brake Assembly—12"x5"	1
	311004	Brake Assembly—12"x3"	1
BP-2	500414-9	Bolt— $\frac{5}{8}$ "-18x $1\frac{1}{2}$ "	4
BP-3	500621-1	Nut— $\frac{5}{8}$ "-18x $1\frac{17}{32}$ " Height	} 4
	500647-1	Nut— $\frac{5}{8}$ "-18x $2\frac{3}{32}$ " Height	
BP-4	20B-90	Brake Drum—used with companion flange 6-1-2401X	} 1
BP-4	330433	Brake Drum—used with companion flange 5-1-278X	
BP-5	500357-11	Lock Washer— $\frac{3}{8}$ "	8
BP-6	500371-3	Nut— $\frac{3}{8}$ "-24	8
BP-7	500469-9	Bolt— $\frac{5}{16}$ "-18x $\frac{5}{8}$ " flat head	2
BP-8	32B-12	Crank—brake bell	1
BP-9	25-W	Washer—brake bell crank	1
BP-10	85-J	Nut—brake bell crank stud	1
BP-11	500024-7	Cotter Pin	2
BP-12	35B-15	Link—brake bell crank	1
BP-13	500016-23	Clevis Pin— $\frac{1}{2}$ " x $1\frac{23}{64}$ "	2
BP-14	500024-4	Cotter Pin— $\frac{1}{8}$ "x $\frac{7}{8}$ "	2
BP-15	3Q-43	Quadrant—brake lever	1
BP-16	500438-10	Bolt— $\frac{3}{8}$ "-16x1" (with Washer)	2
BP17	5400X	Brake Lever Assembly—specify length required	1
N.S.	125Q-3	Spring—brake lever	1
BP-18	231-W	Washer—brake lever stud	1
N.S.	258-W	Washer—brake lever stud	1
BP-19	263-J	Nut—brake lever stud	1
N.S.	500026-7	Cotter Pin— $\frac{3}{16}$ "-1 $\frac{1}{4}$ "	1

N.S. - Not Shown



T210-6000

MODEL 6000
SHIFTER HOUSING ASSEMBLY



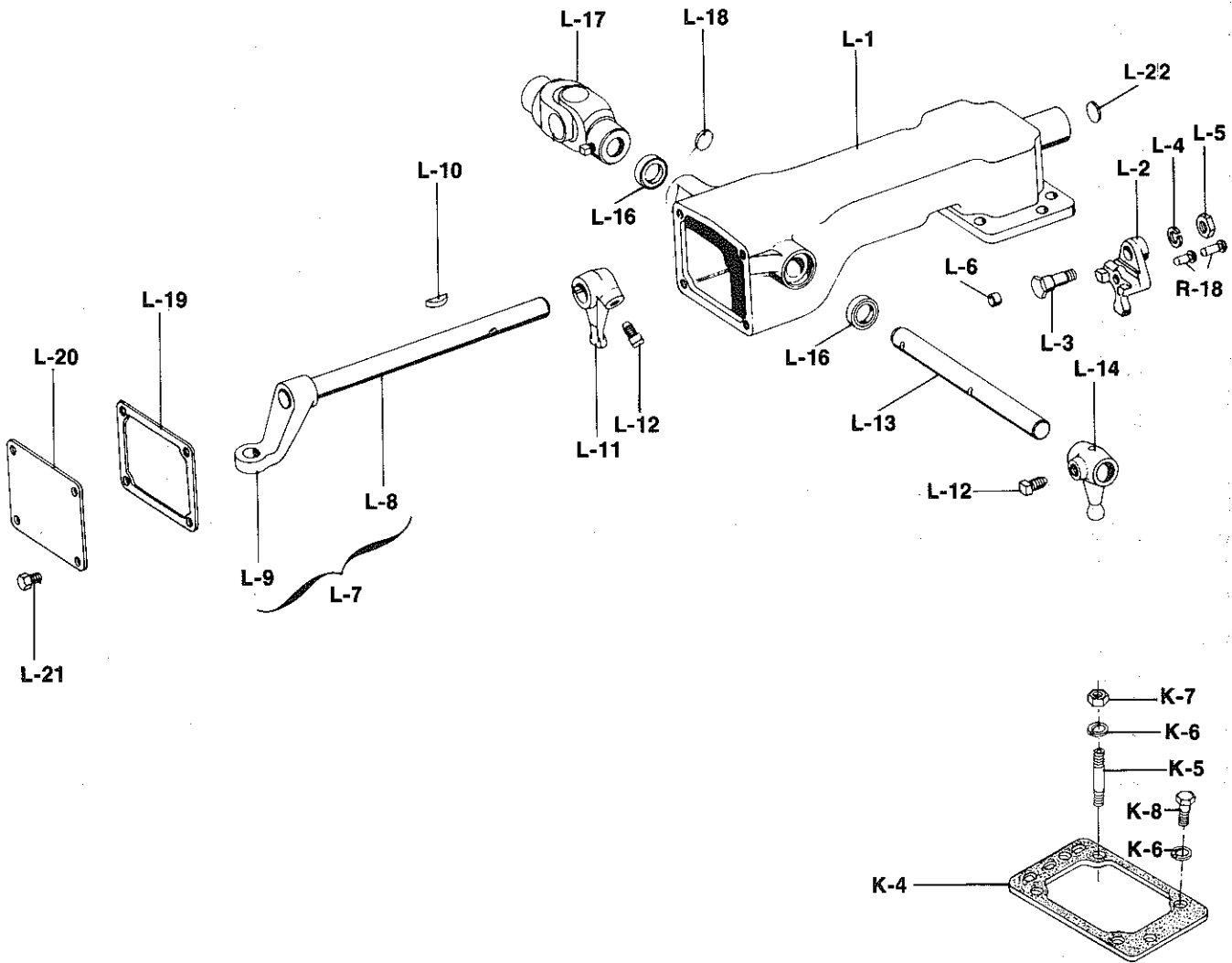
Ref. No.	Part No.	Part Description	Housing Pad Position		MILITARY
			Center	Forward	
R-1	See Tab Bills	Shifter Housing Assembly (See Pages 38-39)	1	1	1
R-2	See Pages 38-39	Shifter Housing	1	1	1
R-2	312268	Breather Assembly (tap in type)	1	—	—
"	4328X	Breather Assembly (Screw in type)	—	1	—
"	16979	Breather Assembly	—	—	1
R-3	62-67-32	Rod-1st and reverse shift	1	—	—
"	62-67-33	Rod-1st and reverse shift	—	1	—
"	62-67-15	Rod-1st and reverse shift	—	—	1
R-4	55-66-19	Fork-1st and reverse shift	1	1	1
R-5	545004	Bolt-7/16"-20 x 13/16" self locking	5	5	5
R-6	62-354-5	Bracket-reverse and 1st shift rod	1	1	1
R-7	32-12-1	Pin-interlock	2	2	2
R-8	62-67-22	Rod-2nd and 3rd shift	1	—	—
"	62-67-13	Rod-2nd and 3rd shift	—	1	1
R-9	62-66-25	Ford-2nd and 3rd shift	1	—	—
"	62-66-20	Ford-2nd and 3rd shift	—	1	1
R-10	62-354-4	Bracket-2nd and 3rd shift rod	1	1	1
R-11	289-SP	Pin-interlock	1	1	1
R-12	62-67-31	Rod-4th and 5th shift	1	—	—
"	62-67-14	Rod-4th and 5th shift	—	1	1
R-13	62-66-27	Fork-4th and 5th shift	1	—	—
"	62-66-22	Fork-4th and 5th shift	—	1	1
R-14	50-80-1	Ball-shift rod poppet	3	3	3
R-15	44-72-2	Spring-shift-rod poppet	3	3	3
R-16	32-59-3	Plug-cup type	1	—	—
R-17	500166-12	Plug-7/8" expansion	2	3	3
R-18	62-438-2	Pin-1st and reverse shift finger plunger	A.R.	A.R.	A.R.
R-19	See Pages 38-39	Spring-shift finger plunger	1	1	1
R-20	38P-1	Retainer-shift finger plunger	1	1	1
R-21	50-80-4	Back-up Switch	1	—	—
or	330366	Plug—without back-up switch	1	1	1
R-22	500166-5	Plug-interlock 7/16" expansion	1	1	1
PARTS LISTED BELOW ARE NOT INCLUDED IN ASSEMBLY					
K-1	62-155-8	Gasket-shifter housing	1	1	1
"	62-155-12	Gasket-shifter housing	—	1	—
K-2	330564-1	Lift Hooks	2	2	2
K-3	545002-6	Bolt-3/8"-16 x 1 1/4" self locking	2	2	2
"	545002-4	Bolt-3/8"-16 x 1 1/8" self locking	12	12	12
A.R. - As Required					

SHIFTER HOUSING			1st and Reverse Shift Finger Plunger				VARIABLE PARTS		
Assembly No. See Tab Bills	Part No. Ref. No. R-1	Casting No.	P A D	Spring No. Ref. No. R-19	Load	Length	Number	Description	
8008X	62-16-120	C62-16-48-1	F	62-72-8	60#	2 1/64"	—	—	
310159X (Military)	62-16-47	C62-16-48-1	F	62-72-8	60#	2 1/64"	} 7997X 62-463-7	Poppet Valve Assembly "O" Ring-Poppet Valve	
310181X	62-16-120	C62-16-48-1	F	62-72-8	60#	2 1/64"			—
310184X (Military)	62-16-49	C62-16-50-1	F	62-72-8	60#	2 1/64"	} Less 7997X 62-463-7 69-V 62-487-17 62-487-18 62-487-19	Breather Poppet Valve Assembly "O" Ring-poppet valve Lifting eye stud Front-Shift Rod Insert Center-Shift Rod Insert Rear-Shift Rod Insert	
310451X	62-16-120	C62-16-48-1	F	30-72-6	28#	2 1/8"			—
310469X	62-16-123	C62-16-50-1	F	62-72-8	60#	2 1/64"			—
310477X	62-16-122	C62-16-63-2	F	62-72-8	60#	2 1/64"			—
310544X	62-16-120	C62-16-48-1	F	62-72-8	60#	2 1/64"	203-2	Lockout Sleeve - 1st and rev.	
310658X	62-16-72	C62-16-631-1	F	62-72-8	60#	2 1/64"	62-67-19	(Ref. No. R-12) 4th & 5th speed shift rod.	
310803X	62-16-72	C62-16-63-1	F	62-72-8	60#	2 1/64"	62-67-25	(Ref. No. R-12) 4th&5th speed shift rod	
310868X	62-16-123	C62-16-50-1	F	62-72-8	60#	2 1/64"	—	—	
310930X	62-16-75	C62-16-76	C	62-72-8	60#	2 1/64"	—	—	
311002X	62-16-90	C62-16-63-1	F	62-72-8	60#	2 1/64"	} 62-67-28 81-39-5	(Ref. No. R-12) 4th&5th Speed Shift Rod Shifter Housing Plug	
311003X	62-16-90	C62-16-63-1	F	62-72-8	60#	2 1/64"			} 62-67-29 81-39-5
311010X	62-16-83	C62-16-63-1	F	62-72-8	60#	2 1/64"	62-67-26	(Ref. No. R-12) 4th&5th Speed Shift Rod	
311016X	62-16-83	C62-16-63-1	F	62-72-8	60#	2 1/64"	62-67-27	(Ref. No. R-12) 4th&5th Speed Shift Rod	
311017X	62-16-83	C62-16-63-1	F	30-72-6	28#	2 1/8"	62-67-27	(Ref. No. R-12) 4th&5th Speed Shift Rod	
311020X	62-16-118	C62-16-76-1	C	62-72-8	60#	2 1/64"	—	—	
311024X	62-16-118	C62-16-76-1	C	30-72-6	28#	2 1/8"	5951X	(Ref. No. R-2) Breather Assembly	
311104X	62-16-120	C62-16-48-1	F	46-72-3	8#	2 3/8"	—	—	
311275X	62-16-123	C62-16-50-1	F	30-72-6	28#	2 1/8"	—	—	
311368X	62-16-83	C62-16-63-1	F	None	—	—	—	—	
311652X	62-16-118	C62-16-76-1	C	46-72-3	8#	2 3/8"	—	—	
312005X	62-16-118	C62-16-76-1	C	None	—	—	—	—	
312011X	62-16-118	C62-16-76-1	C	30-72-6	28#	2 1/8"	—	—	
312012X	62-16-120	C62-16-48-1	F	30-72-6	28#	2 1/8"	—	—	
312013X	62-16-123	C62-16-50-1	F	30-72-6	28#	2 1/8"	—	—	
312097X	62-16-119	C62-16-115-1	C	None	—	—	—	—	
312210X	62-16-83	C62-16-63-1	F	62-72-8	60#	2 1/64"	62-67-26	(Ref. No. R-12) 4th&5th Speed Shift Rod	

MODEL 6000 VARIABLE PARTS CHART



SHIFTER HOUSING				1st and Reverse Shift Finger Plunger			VARIABLE PARTS	
Assembly No. See Tab Bills	Part No. Ref. No. R-1	Casting No.	P A D	Spring No. Ref. No. R-19	Load	Length	Number	Description
312335X	62-16-120	C62-16-48-1	F	82-72-3	15#	2 ³ / ₈ "	—	—
312430X	62-16-118	C62-16-76-1	C	30-72-6	28#	2 ¹ / ₈ "	62-203-2	Lockout Sleeve-reverse
312435X	62-16-120	C62-16-48-1	F	62-72-8	60#	2 ¹ / ₆₄ "	55-203-15	Lockout Sleeve-5th speed
312538X	62-16-119	C62-16-115-1	C	62-72-8	60#	2 ¹ / ₆₄ "	—	—
312553X	62-16-120	C62-16-48-1	F	None	—	—	—	—
312630X	62-16-122	C62-16-63-2	F	None	—	—	—	—
312692X	62-16-81	C62-16-76-1	C	None	—	—	5921X	(Ref. No. R-2) Breather Assembly
312693X	62-16-81	C62-16-76-1	C	30-72-6	28#	2 ¹ / ₈ "	5921X	(Ref. No. R-2) Breather Assembly
312694X	62-16-120	C62-16-48-1	F	30-72-6	28#	2 ¹ / ₈ "	—	—
312844X	62-16-119	C62-16-115-1	C	30-72-6	28#	2 ¹ / ₈ "	—	—
62-16-120-1X	62-16-120	C62-16-48-1	F	62-72-8	60#	2 ¹ / ₆₄ "	62-203-3 55-203-15	Lockout Sleeve-reverse Lockout Sleeve-5th speed



MODEL 6000

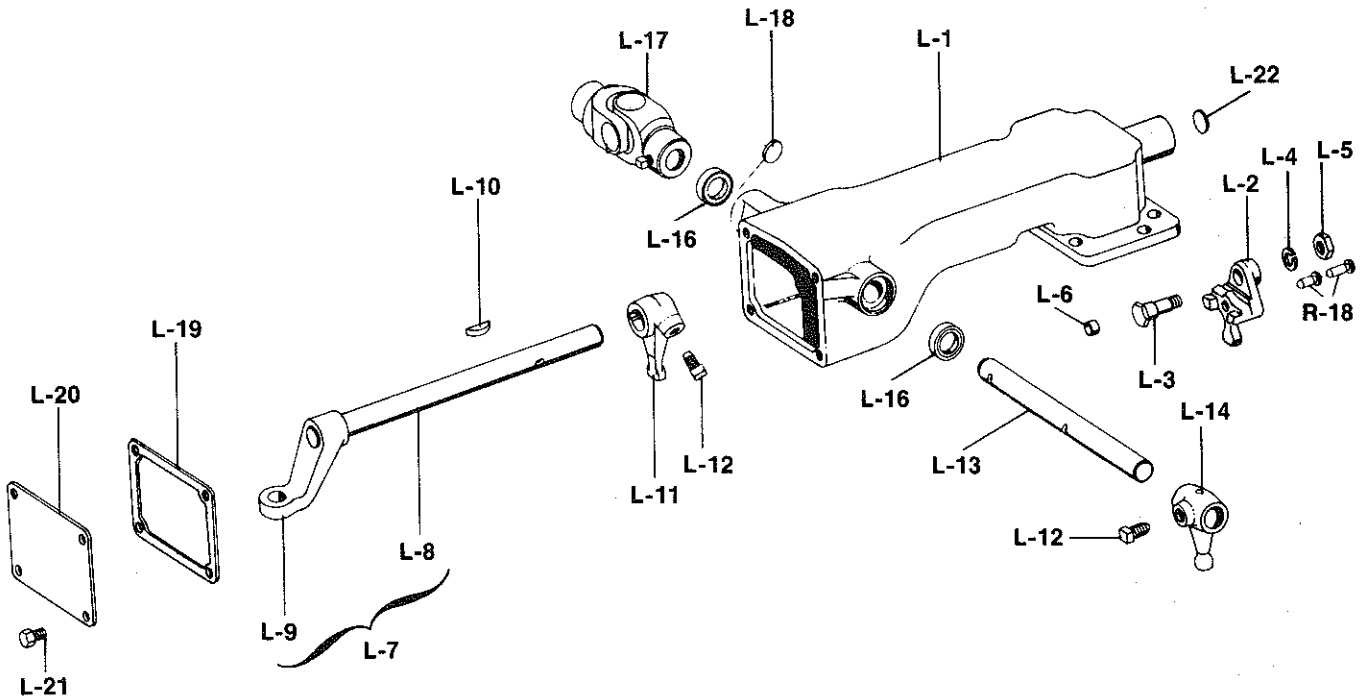
REMOTE CONTROL ASSEMBLY

High Rod Type



T210-6000

Ref. No.	Part No.	Part Description	Remote Control Assembly					
			310736X	310736-1X	310886X	311569X	311656-7X	311732X
	See Tab Bills	Cover & Joint Assembly-remote control	1	1	1	1	1	1
	311858X	Cover Assembly (Casting No. C62-16-78)	1	1	—	1	—	1
	311859X	Cover Assembly (Casting No. C62-16-78-1)	—	—	1	—	—	—
	311860X	Cover Assembly (Casting No. C62-19-96)	—	—	—	—	1	—
L-1	N.S.S.	Remote control cover	1	1	1	1	1	1
N.S.	82-24-3	Bushing-remote control cover	4	4	4	4	4	4
L-2	30-6-15	Finger-1st & reverse shift	1	1	1	1	1	1
L-3	1109-D	Stud-1st & reverse shift finger	1	1	1	1	1	1
L-4	500357-13	Lock Washer—1/2"	1	1	1	1	1	1
L-5	500381-5	Nut—1/2"-20 hex	1	1	1	1	1	1
L-6	59-6	Plug—1st & reverse shift finger hole	1	1	1	1	1	1
L-7	62-65-30	Shift Finger Rod (only)	—	—	—	1	—	—
	310647X	Shift Finger Rod & Bracket Assembly	1	1	—	—	—	1
	310879X	Shift Finger Rod & Bracket Assembly	—	—	1	—	—	—
	311661X	Shift Finger Rod & Bracket Assembly	—	—	—	—	1	—
L-8	N.S.S.	Rod-shifter finger	1	1	1	—	1	1
L-9	N.S.S.	Bracket—shift finger rod	1	1	1	—	1	1
L-10	500007-19	Woodruff Key-#11 (part of Assembly)	1	1	1	—	1	1
L-10	500007-19	Woodruff Key-#11	1	1	1	1	1	1
L-11	62-6-24	Finger—inner shift	1	1	1	1	1	1
L-12	545004	Bolt—7/16"-20 x 13/16" hex head self locking	2	2	2	1	2	2
L-13	82-65-5	Rod—remote control shift	1	—	1	—	—	1
"	82-65-22	Rod—remote control shift (counter sunk spots at 90°)	—	1	—	—	1	—
L-14	82-6-7	Finger—outer shift	1	1	1	—	1	1
L-15	N.R.	Lock—control rod bracket	—	—	—	—	—	—
L-16	28P-19	Seal—remote control shift rod	2	2	2	1	2	2
L-17	10380-SF	U-Joint Assembly—control	1	1	1	—	1	—
L-18	500166-21	Expansion Plug—1 3/8" (with outer shift finger hole) ..	—	—	—	2	—	—
L-19	82-118-1	Gasket—aperture cover	1	1	1	1	1	1
L-20	82-96-1	Aperture Cover	1	1	1	—	1	1
"	62-96-1	Aperture Cover (with shift rod hole)	—	—	—	1	—	—
L-21	545005-1	Bolt—5/16"-18 x 5/8" hex head self locking	4	4	4	4	4	4
L-22	500166-16	Expansion Plug - 1 1/16"	1	1	1	1	1	1
PARTS LISTED BELOW ARE NOT INCLUDED IN ASSEMBLY								
K-4	62-155-7	Gasket—shifter housing to control cover	1	1	1	1	1	1
K-5	150-V	Stud—7/16"-14-7/16"-20 x 1 7/8"	2	2	2	2	2	2
K-6	500357-12	Lock Washer—7/16"	2	2	2	2	2	2
K-7	500371-4	Nut—7/16"-20 hex	2	2	2	2	2	2
K-8	545028	Bolt—7/16"-14 x 1 1/4" hex head self locking	4	4	4	4	4	4
R-18	46-438-1	Plunger Pin—1st & reverse	A.R.	A.R.	A.R.	A.R.	A.R.	A.R.
"	62-438-2	Plunger Pin—1st & reverse	A.R.	A.R.	A.R.	A.R.	A.R.	A.R.
<p>N.S. - Not Shown N.S.S. - Not Sold Separately N.R. - Not Required A.R. - As Required</p>								



High Rod Type

Ref. No.	Part No.	Part Description	Remote Control Assembly	Qty.
PARTS LISTED BELOW ARE NOT INCLUDED IN ASSEMBLY				
K-4	62-155-7	Gasket—shifter housing to control cover		1
K-5	150-V	Stud— $\frac{7}{16}$ "-14 — $\frac{7}{16}$ "-20 x $1\frac{7}{8}$ "		2
K-6	500357-12	Lock Washer $\frac{7}{16}$ "		2
K-7	500371-4	Nut— $\frac{7}{16}$ "-20 hex		2
K-8	545028	Bolt— $\frac{7}{16}$ "-14 x $1\frac{1}{4}$ " hex head self locking.....		4

MODEL 6000

REMOTE CONTROL ASSEMBLY

High Rod Type

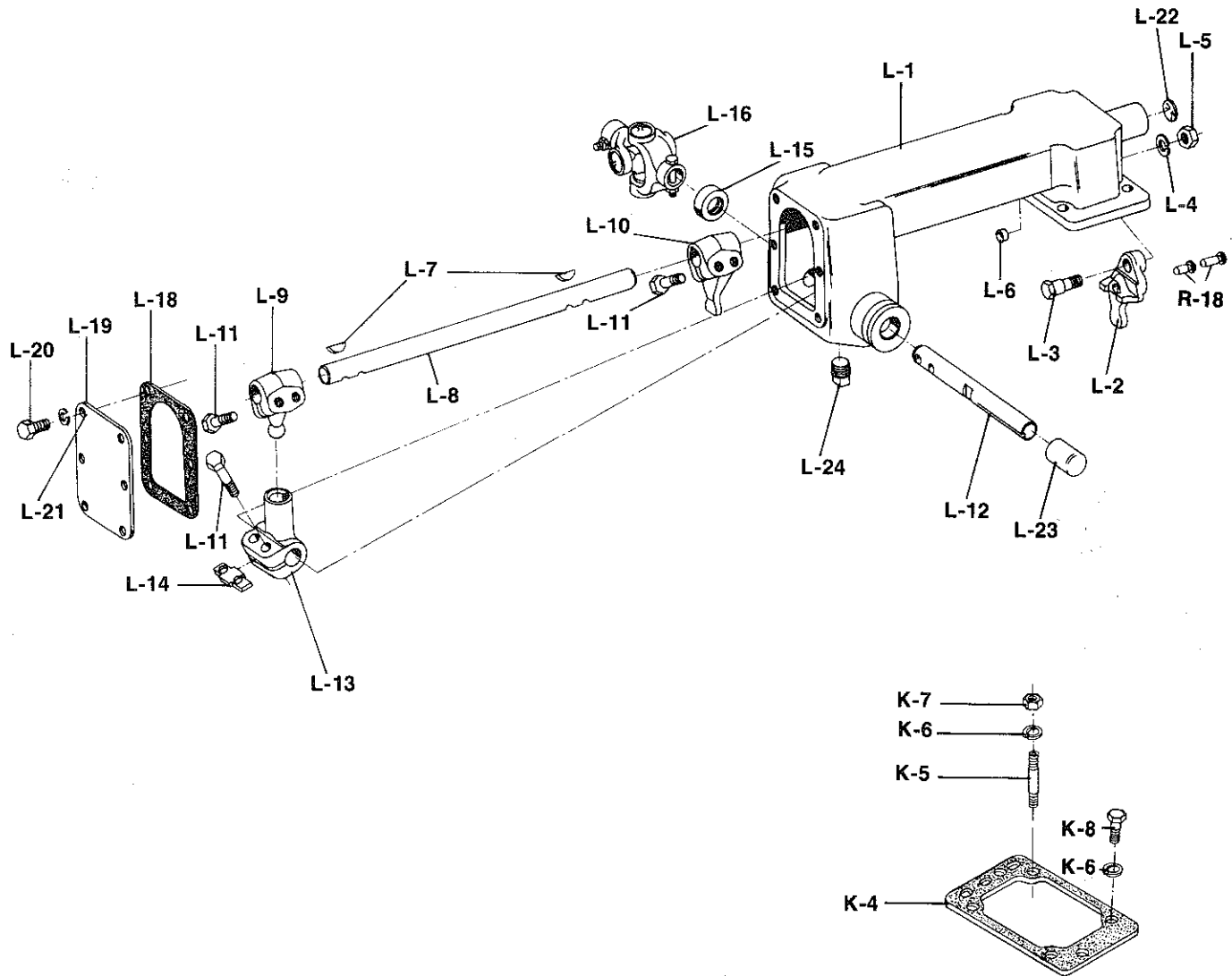


T210-6000

Ref. No.	Part No.	Part Description	Remote Control Assembly						
			310736-2X	310736-3X	310736-5X	311748X	311772X	311943X	312599X
	See Tab Bills	Cover & Joint Assembly-remote control	1	1	1	1	1	1	1
	311848X	Cover Assembly (Casting No. C62-16-78)	1	1	1	—	—	1	—
	311861X	Cover Assembly (Casting No. C62-16-78)	—	—	—	1	—	—	—
	311864X	Cover Assembly—10 ⁵ / ₁₆ " C/L to C/L & rotated 20° ...	—	—	—	—	1	—	—
	312598X	Cover Assembly—7 ¹ / ₈ " C/L to C/L	—	—	—	—	—	—	1
L-1	N.S.S.	Remote control cover	1	1	1	1	1	1	1
N.S.	82-24-3	Bushing-remote control cover	4	4	4	4	4	4	4
L-2	30-6-15	Finger-1st & reverse shift	1	1	1	1	1	1	1
L-3	1109-D	Stud-1st & reverse shift finger	1	1	1	1	1	1	1
L-4	500357-13	Lock Washer— ¹ / ₂ "	1	1	1	1	1	1	1
L-5	500381-5	Nut— ¹ / ₂ "-20 hex	1	1	1	1	1	1	1
L-6	59-6	Plug—1st & reverse shift finger hole	1	1	1	1	1	1	1
L-7	310647X	Shift Finger Rod & Bracket Assembly	1	1	1	—	—	1	—
L-7	311744X	Shift Finger Rod & Bracket Assembly	—	—	—	1	—	—	—
L-7	311759X	Shift Finger Rod & Bracket Assembly	—	—	—	—	1	—	—
L-7	312327X	Shift Finger Rod & Bracket Assembly	—	—	—	—	—	—	1
L-8	N.S.S.	Rod-shift finger	1	1	1	1	1	1	1
L-9	N.S.S.	Bracket—shift finger rod	1	1	1	1	1	1	1
L-10	500007-19	Woodruff Key-#11 (part of Assembly)	1	1	1	1	1	1	1
L-10	500007-19	Woodruff Key-# 11	1	1	1	1	1	1	1
L-11	62-6-24	Finger—inner shift	1	1	1	1	1	1	1
L-12	545004	Bolt— ⁷ / ₁₆ "-20 x ¹³ / ₁₆ " hex head self locking	2	2	2	2	2	2	2
L-13	82-65-5	Rod—remote control shift	1	1	1	1	1	1	—
"	82-65-22	Rod—remote control shift (counter sunk spots at 90°)	—	—	—	—	—	—	1
L-14	82-6-7	Finger—outer shift	1	1	1	1	1	1	1
L-15	N.R.	Lock—control rod bracket	—	—	—	—	—	—	—
L-16	28P-19	Seal—remote control shift rod	2	2	2	2	2	2	2
L-17	10380-SF	U-Joint Assembly—control	1	—	—	—	1	—	1
"	200110	U-Joint Assembly—control (can use 10380-SF)	—	—	—	—	—	1	—
L-18	N.R.	Expansion Plug	—	—	—	—	—	—	—
L-19	82-118-1	Gasket—aperture cover	1	1	1	1	1	1	1
L-20	82-96-1	Aperture Cover	1	1	1	1	1	1	1
L-21	545005-1	Bolt— ⁵ / ₁₆ "-18 x ⁵ / ₈ " hex head self locking	4	4	4	4	4	4	4
L-22	500166-16	Expansion Plug— ¹ / ₁₆ "	1	1	1	1	1	1	1
N.S.	311903X	Boot Kit—remote control	1	1	—	1	—	—	—
N.S.	82-483-1	Boot	1	1	—	1	—	—	—
N.S.	82-483-2	Boot—cup type	1	1	—	1	—	—	—
N.S.	LW-3	Lockwire	3	3	—	3	—	—	—
■R-18	46-438-1	Plunger Pin—1st & reverse shift finger . (0.735" long)	A.R.	A.R.	A.R.	A.R.	A.R.	A.R.	A.R.
"	62-438-2	Plunger Pin—1st & reverse shift finger . (0.985" long)	A.R.	A.R.	A.R.	A.R.	A.R.	A.R.	A.R.

N.S. - Not Shown
 N.S.S. - Not Sold Separately
 N.R. - Not Required
 A.R. - As Required

■ Part of Shifter Housing Assembly, Page 37



Ref No.	Part No.	Part Description	Remote Control Assembly						
			8150X	8155X	310054X	310185X	310186X	310225X	310438X
	See Tab Bills	Cover & Joint Assembly—remote control	1	1	1	1	1	1	1
L-1	46-16-3	Remote Control Cover	1	1	1	1	1	1	1
L-1	62-16-27	Remote Control Cover	1	1	1	1	1	1	1
L-1	62-16-39	Remote Control Cover	1	1	1	1	1	1	1
L-1	62-16-59	Remote Control Cover	1	1	1	1	1	1	1
	8031X	Remote Control Cover Assembly (62-16-51)	1	1	1	1	1	1	1
	310308X	Remote Control Cover Assembly (46-16-6)	1	1	1	1	1	1	1
L-1	N.S.S.	Remote Control Cover	1	1	1	1	1	1	1
N.S.	52-24-4	Bushing - 1 1/2" length	1	1	1	1	1	1	1
N.S.	62-24-8	Bushing - 3 5/8" length (front)	1	1	1	1	1	1	1
N.S.	62-24-9	Bushing - 2 5/16" length (rear)	1	1	1	1	1	1	1
N.S.	71-24-10	Bushing - 1" length	1	1	1	1	1	1	1
L-2	62-6-23	Finger—1st & reverse shift	1	1	1	1	1	1	1
L-3	1109-D	Stud—1st & reverse shift finger	1	1	1	1	1	1	1
L-4	500357-13	Lock Washer—1/2"	1	1	1	1	1	1	1
L-5	500381-5	Nut—1/2"-20 hex	1	1	1	1	1	1	1

MODEL 6000

REMOTE CONTROL ASSEMBLY

Low Rod Type



T210-6000

Ref No.	Part No.	Part Description	Remote Control Assembly	8150X	8155X	310054X	310185X	310186X	310225X	310438X
L-6	59-6	Plug—1st & reverse shift finger hole		1	—	1	—	—	—	1
L-6	311-SP	Plug—1st & reverse shift finger hole		—	1	—	—	—	1	—
L-7	500007-19	Woodruff Key #11		2	2	2	2	2	2	2
L-8	62-65-7	Rod-shift finger (15 ³ / ₈ "		1	—	1	1	—	—	—
L-8	62-65-9	Rod-shift finger (12 ³ / ₈ "		—	—	—	—	—	—	—
L-8	62-65-12	Rod-shift finger		—	1	—	—	—	—	—
L-8	62-65-18	Rod-shift finger		—	—	—	—	—	1	—
L-9	62-6-7	Finger—inner shift		1	1	1	1	1	1	1
L-10	71-6-20	Finger—outer shift		1	—	1	1	1	1	1
L-10	62-6-17	Finger—outer shift		—	1	—	—	—	—	—
L-11	600-D	Bolt—shift finger & control bracket		6	6	6	6	6	6	6
L-12	22-65-13	Control Rod—used with 9190-SF		1	—	1	—	—	1	—
L-12	62-65-11	Control Rod—used with 9929-SF		—	—	—	—	—	—	1
L-12	62-65-15	Control Rod—used with 9190-SF		—	—	—	1	—	—	—
L-12	62-65-17	Control Rod—used with 10305-SF		—	—	—	—	1	—	—
L-12	62-65-13	Control Rod—used with 10305-SF		—	1	—	—	—	—	—
L-13	55-354-17	Bracket—control rod		1	1	1	1	1	1	1
L-14	71-246-3	Lock—control rod bracket		1	1	1	1	1	1	1
L-15	61-463-4	Seal—control rod		1	1	1	1	1	1	1
N.S.	500008-21	Woodruff Key #A		—	—	—	—	—	—	1
L-16	9190-SF	U-Joint Assembly—control rod		1	—	1	1	—	—	—
L-16	9929-SF	U-Joint Assembly—control rod		—	—	—	—	—	1	—
L-16	10305-SF	U-Joint Assembly—control rod		—	—	—	—	—	—	1
N.S.	500389-7	Nut— ⁵ / ₈ "-18 hex slotted		—	—	—	—	—	—	1
N.S.	500024-4	Cotter pin— ¹ / ₈ " x ⁷ / ₈ "		—	—	—	—	—	1	—
L-17	N.R.	Expansion Plug		—	—	—	—	—	—	—
L-18	82-118-3	Gasket—aperture cover		1	1	1	1	1	1	1
L-19	71-96-1	Aperture Cover		1	1	1	1	1	1	1
L-20	500397-8	Bolt— ⁵ / ₁₆ "-18 x ³ / ₄ " hex head		6	6	6	—	—	6	6
L-20	500437-10	Bolt— ⁵ / ₁₆ "-18 x ³ / ₄ " hex head w/lock washer		—	—	—	6	6	—	—
L-21	500357-10	Lockwasher ⁵ / ₁₆ "		6	6	6	—	—	6	6
L-22	500166-16	Expansion Plug—1 ¹ / ₁₆ "		1	1	1	1	1	1	1
L-23	55-59-1	Cap—control rod		1	1	1	1	1	1	1
L-24	5001143-3	Plug— ¹ / ₂ "-14 x ¹⁹ / ₃₂ " sq. head drain		1	1	1	1	1	1	1
N.S.	62-65-16	Control Rod Extension		—	—	—	1	—	—	—
N.S.	62-508-2	Coupling— control rod extension		—	—	—	1	—	—	—
N.S.	5-73-1125	Screw—coupling		—	—	—	1	—	—	—
N.S.	5-74-11	Nut—coupling		—	—	—	1	—	—	—
N.S.	22-72-5	Spring—Shift rod poppet		—	—	—	—	1	—	—
N.S.	50-80-1	Ball—poppet		—	—	—	—	1	—	—
N.S.	30-59-8	Plug—poppet hole		—	—	—	—	1	—	—

PARTS LISTED BELOW ARE NOT INCLUDED IN ASSEMBLY

K-4	62-155-7	Gasket—shifter housing to control cover		1	1	1	1	1	1	1
K-5	150-V	Stud— ⁷ / ₁₆ "-14- ⁷ / ₁₆ "-20 x ¹ / ₈ "		2	2	2	2	2	2	2
K-6	500357-12	Lock Washer— ⁷ / ₁₆ "		2	2	2	2	2	2	2
K-7	500371-4	Nut— ⁷ / ₁₆ "-20 hex		2	2	2	2	2	2	2
K-8	545028	Bolt— ⁷ / ₁₆ "-14 x ¹ / ₄ " hex head self locking		4	4	4	4	4	4	4
■R-18	46-438-1	Plunger Pin—1st and reverse (0.735" long)		A.R.	A.R.	A.R.	A.R.	A.R.	A.R.	A.R.
"	62-438-2	Plunger Pin—1st and reverse (0.985" long)		A.R.	A.R.	A.R.	A.R.	A.R.	A.R.	A.R.

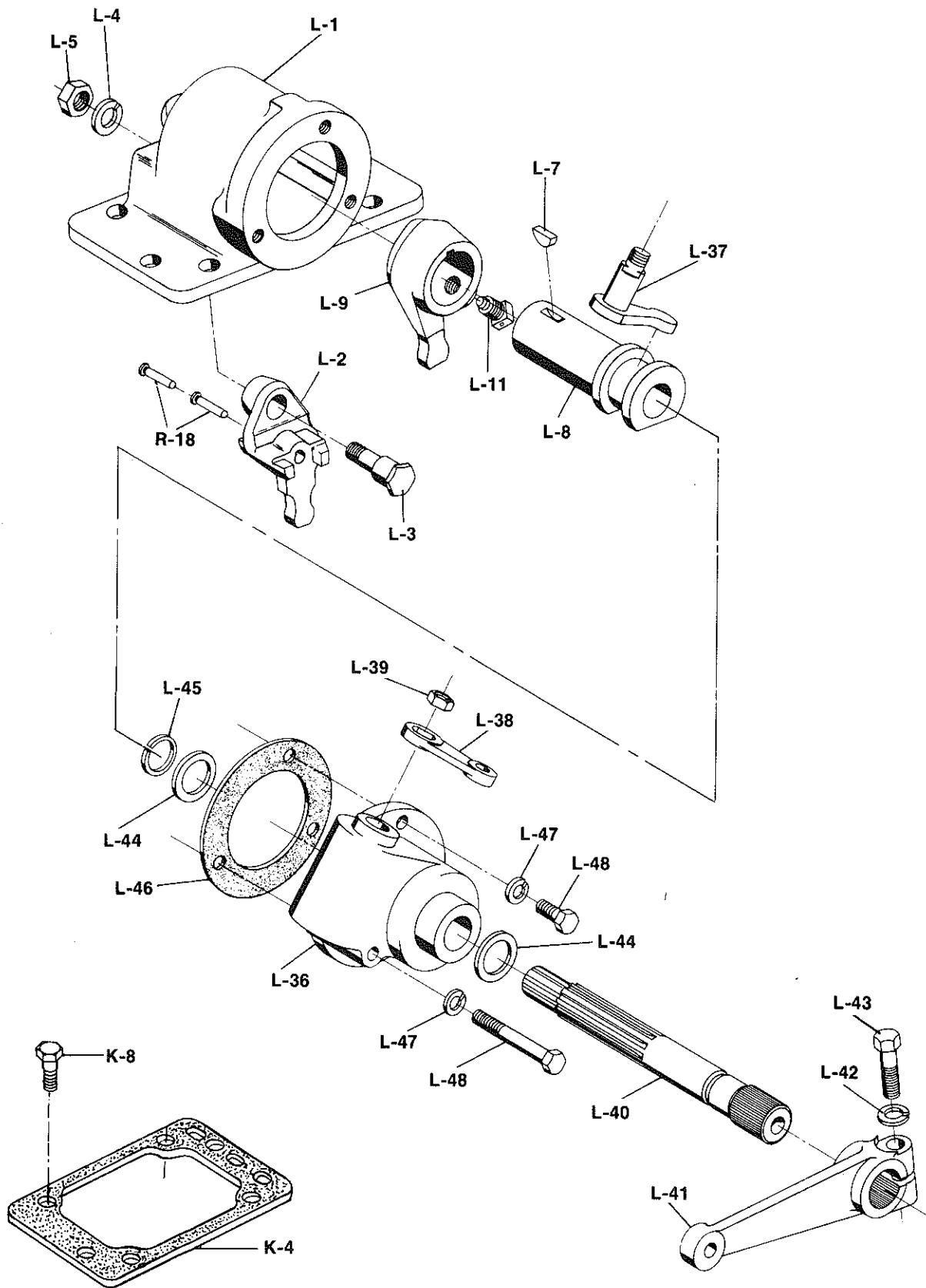
■ Part of Shifter Housing Assembly, page. 37.

N.S. - Not Shown

N.S.S. - Not Sold Separately

N.R. - Not Required

A.R. - As Required



T210-6000

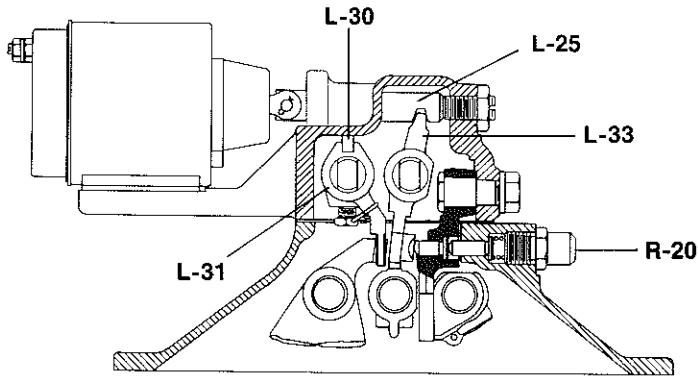
MODEL 6000
REMOTE CONTROL ASSEMBLY
Two Lever Type — Cable or Rod Control



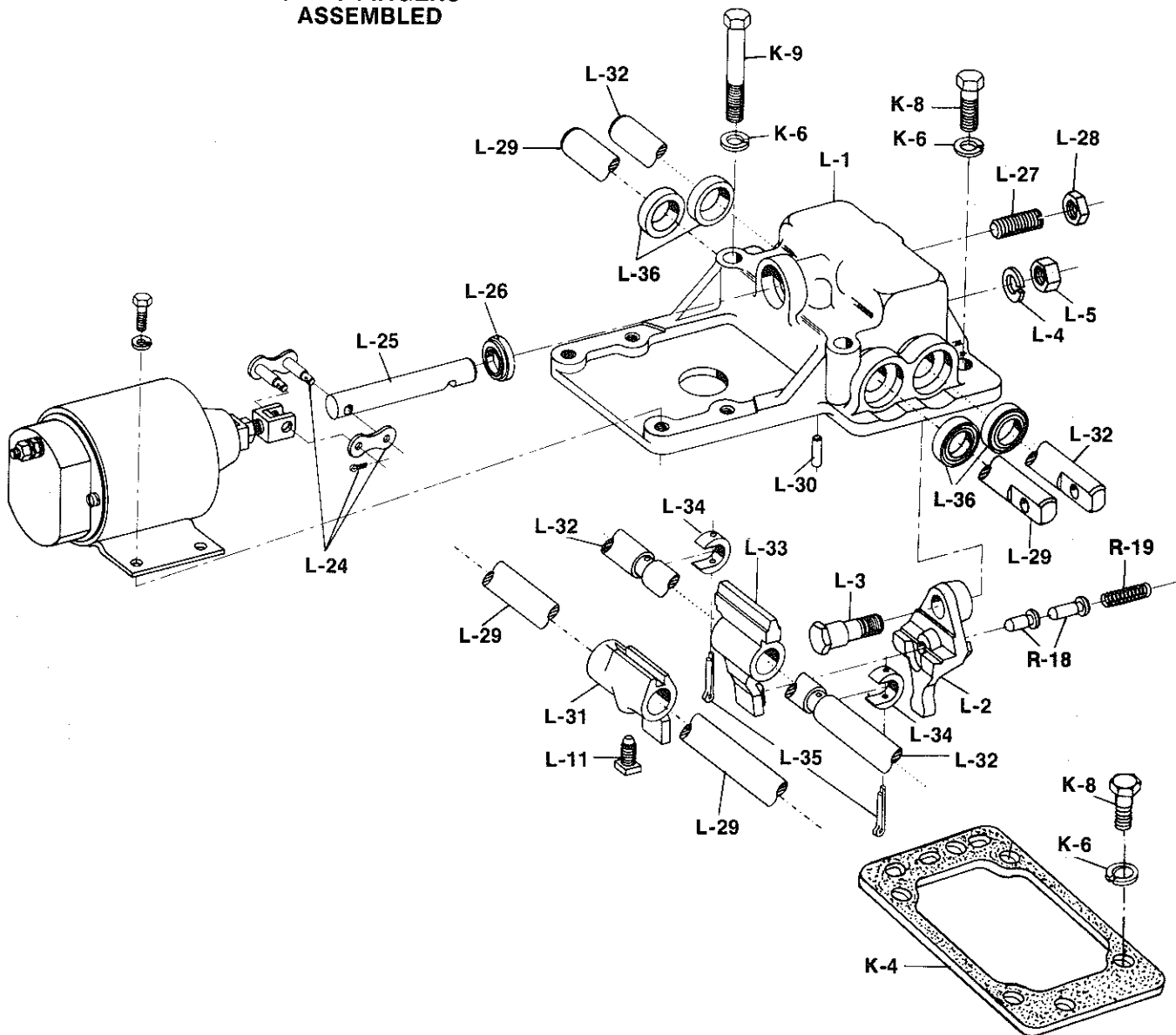
Ref. No.	Part No.	Part Description	311528-1X
	See Tab Bills	Remote Control Cover Assembly	1
L-1	62-16-88	Remote Control Cover	1
L-2	30-6-15	Shift Finger—reverse	1
L-3	1109-D	Stud—reverse shift finger	1
L-4	500357-13	Lock Washer— $\frac{1}{2}$ "	1
L-5	500381-5	Nut— $\frac{1}{2}$ "-20 hex	1
L-7	500007-17	Woodruff Key #91	1
L-8	62-65-26	Shaft—inner shift finger	1
L-9	62-6-30	Shift Finger—inner	1
L-11	545004	Bolt— $\frac{7}{16}$ "-20 x $\frac{13}{16}$ " hex head self locking	1
L-36	62-16-92	End Cover—remote control	1
L-37	310926X	Cam and Stud Assembly—selection lever	1
L-38	62-6-34	Lever—upper selection	1
L-39	500381-4	Nut— $\frac{7}{16}$ "-20	1
L-40	62-65-27	Rod—outer shift lever	1
L-41	82-6-16	Lever—outer shift	1
L-42	500357-11	Lock Washer— $\frac{3}{8}$ "	1
L-43	500398-14	Bolt— $\frac{3}{8}$ "-16 x $1\frac{1}{2}$ "	1
L-44	258-W	Washer—shift lever rod	2
L-45	62-381-13	Snap Ring	1
L-46	62-155-11	Gasket—end cover	1
L-47	500357-10	Lock Washer $\frac{5}{16}$ "	3
L-48	500397-9	Bolt— $\frac{5}{16}$ "-18 x $\frac{7}{8}$ "	2
L-48	500397-22	Bolt— $\frac{5}{16}$ "-18 x $2\frac{1}{2}$ "	1
■R-18	46-438-1	Plunger Pin—1st & reverse shift finger (0.735" long)	A.R.
"	62-438-2	Plunger Pin—1st & reverse shift finger (0.985" long)	A.R.
PARTS LISTED BELOW ARE NOT INCLUDED IN ASSEMBLY			
K-4	62-155-7	Gasket—shifter housing to control cover	1
K-8	545028	Bolt— $\frac{7}{16}$ "-14 x $1\frac{1}{4}$ " hex head self locking	6

A.R. - As Required

■ Part of shifter housing assembly, Page 37



**VIEW WITH
SHIFT FINGERS
ASSEMBLED**



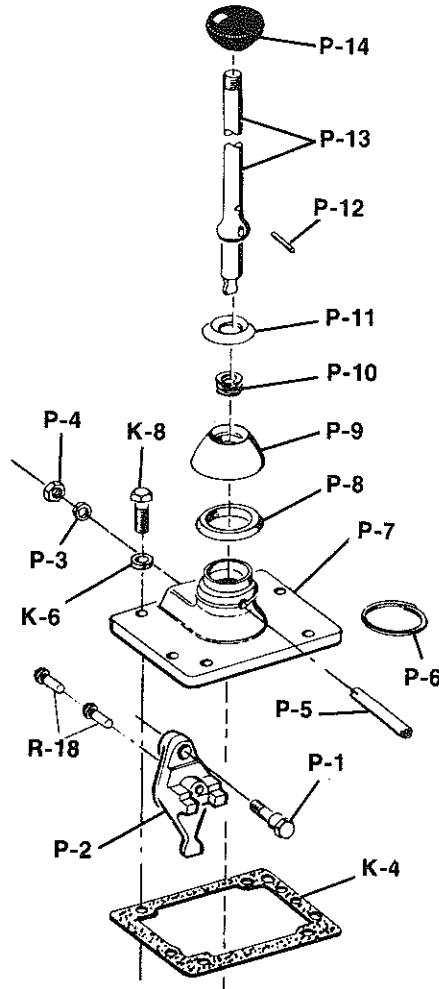
MODEL 6000
REMOTE CONTROL ASSEMBLY
 With Solenoid For 1st & Reverse



T210-6000

Ref. No.	Part No.	Part Description	310789X
	See Tab Bills	Remote Control Cover Assembly	1
L-1	30-16-40	Cover—solenoid pad & remote control (Not Available)	1
L-2	46-6-1	Finger—1st & reverse shift	1
L-3	1109-D	Stud—1st & reverse	1
L-4	500357-13	Lock Washer— $\frac{1}{2}$ "	1
L-5	500381-5	Nut— $\frac{1}{2}$ "-20	1
R-18	46-438-1	Plunger Pin—1st & reverse	1
*R-18	62-438-2	Plunger Pin—1st & reverse	1
*R-19	30-72-6	Spring—Plunger Pin	1
L-24	81-239-1	Link—solenoid connecting	1
L-25	30-65-1	Control Rod—solenoid	1
L-26	13-463-1	Oil Seal—control rod	1
L-27	330103	Stop Screw— $\frac{1}{2}$ "-13 x $1\frac{1}{8}$ " control rod	1
L-28	140-J	Nut— $\frac{1}{2}$ "-13	1
L-29	30-67-27	Shift Rod—4th & 5th	1
L-30	30-59-9	Pin—4th & 5th shift finger guide	1
L-31	62-6-29	Shift Finger—4th & 5th	1
L-11	745-D	Set Screw	1
L-32	30-67-26	Shift Rod—1st & reverse, 2nd & 3rd	1
L-33	62-6-28	Shift Finger	1
L-34	614-W	"C" Washer	2
L-35	500023-7	Cotter Pin	2
L-36	30-463-6	Oil Seal	4
*K-9	500399-24	Bolt— $\frac{7}{16}$ "-14 x $2\frac{3}{4}$ "	2
PARTS LISTED BELOW ARE NOT INCLUDED IN ASSEMBLY			
K-4	62-155-7	Gasket—shifter housing to control cover	1
K-6	500357-12	Lock Washer— $\frac{7}{16}$ "	2
K-8	545028	Bolt— $\frac{7}{16}$ "-14 x $1\frac{1}{4}$ " self locking	4
*R-20	38P-1	Retainer—shift finger plunger	1

* — Shipped loose when not assembled, also part of shifter housing assembly, Page 37



Ref. No.	Part No.	Part Description	Qty.
P-1	See Tab Bills	Lever & Dome Assembly-shift, Variable parts see pages 51-53	1
P-2	1109-D	Stud—1st & reverse shift finger	1
P-3	62-6-23	Finger—1st & reverse	1
P-4	500357-13	Lock Washer— $\frac{1}{2}$ "	1
	500381-5	Nut— $\frac{1}{2}$ "-20 Hex	1
P-5	53Q-15	Shaft—shift lever rock	1
P-6	62-381-7	Snap Ring—rock shaft	1
P-7	62-16-32	Dome—shift lever	1
P-8	See Table Page 51-53	Lever Assembly—includes P-8 thru P-14	1
P-9	69Q-6	Washer—compression	1
P-10	54Q-13	Cup—compression	1
P-11	56Q-25	Spring—compression	1
P-12	55Q-7	Collar—compression	1
	286-SP	Pin—compression collar	1
P-13	See Table Page 51-53	Shift Lever & Description	1
P-14	39Q-27	Handle—shift lever	1
PARTS LISTED BELOW ARE NOT INCLUDED IN ASSEMBLY			
K-4	62-155-7	Gasket—dome to shifter housing	1
K-6	600357-12	Lock Washer— $\frac{7}{16}$ "	6
K-8	545028	Bolt— $\frac{7}{16}$ "-14 x $1\frac{1}{4}$ " hex hd. self locking	6
R-18	46-438-1	Plunger Pin—1st & reverse (0.735" long)	A.R.
"	62-438-2	Plunger Pin—1st & reverse (0.985" long)	A.R.

A.R. - As Required

Assemblies Listed Below Include P-1 thru P-14
Except Where Noted

Lever & Dome Assembly	Lever Assembly P-8 thru P-14	Ref. No.	Variable Part No.	Length	Description
—	8055X	{ P-13 P-14	25Q-1278 39Q-15	30" —	Bent Shift Lever Handle
8091X	7019X	P-13	25Q-1121	26 ¹ / ₄ "	Straight
8111X	8055X	{ P-7 P-13	62-16-33 25Q-1278	— 30"	Shift Lever Dome Bent
310035X	8063X	P-13	25Q-1280	24 ⁷ / ₈ "	Bent
310083X	7020X	P-13	25Q-1122	29 ¹ / ₄ "	Straight
310104X	7015X	P-13	25Q-1093	23 ¹ / ₄ "	Straight
310137X (Military)	{ — 310429X	{ — P-13 P-14	312816X 25Q-1264 39Q-15	— 23 ⁵ / ₈ " —	Tower Assembly (Special) Bent Shift Lever Handle
310171X	7548X	P-13	25Q-1170	26 ¹ / ₄ "	Bent
310258X	310157X	{ P-13 P-14	25Q-1318 39Q-15	26 ¹ / ₄ " —	Bent Shift Lever Handle
310334X	7017X	{ P-13 P-14	25Q-1100 39Q-15	24 ⁷ / ₁₆ " —	Bent Shift Lever Handle
310339X	310340X	{ P-13 P-14	25Q-1341 —	21 ¹ / ₁₆ " —	Straight (Shift Lever Handle) Not Included
310367X	310366X	{ P-13 P-14	25Q-1367 39Q-15	27 ¹ / ₂ " —	Bent Shift Lever Handle
310430X	—	P-13	25Q-1388	25 ¹ / ₂ "	Bent
310480-15X	—	{ P-7 P-13 N.S.	62-16-33 25Q-1800 55Q-5	— 28 ⁵ / ₈ " —	Shift Lever Dome Bent Shift Lever Grommet
310480-20X	—	{ P-7 P-13 N.S.	62-16-33 25Q-1701-7 55Q-5	— 29 ¹ / ₁₆ " —	Shift Lever Dome Bent Shift Lever Grommet
310486-5X	—	P-13	25Q-1122	29 ¹ / ₄ "	Straight
310507X	310506X	{ P-7 P-13	62-16-66 25Q-1416	— 40 ³ / ₈ "	Shift Lever Dome Bent
310633X	7889X	P-13	25Q-1244	29 ¹ / ₄ "	Bent
311014X	310611-2X	{ P-13 P-14	25Q-1463 39Q-15	26 ¹ / ₄ " —	Bent Shift Lever Handle

N.S. - Not Shown

Assemblies Listed Below Include P-1 thru P-14
Except Where Noted

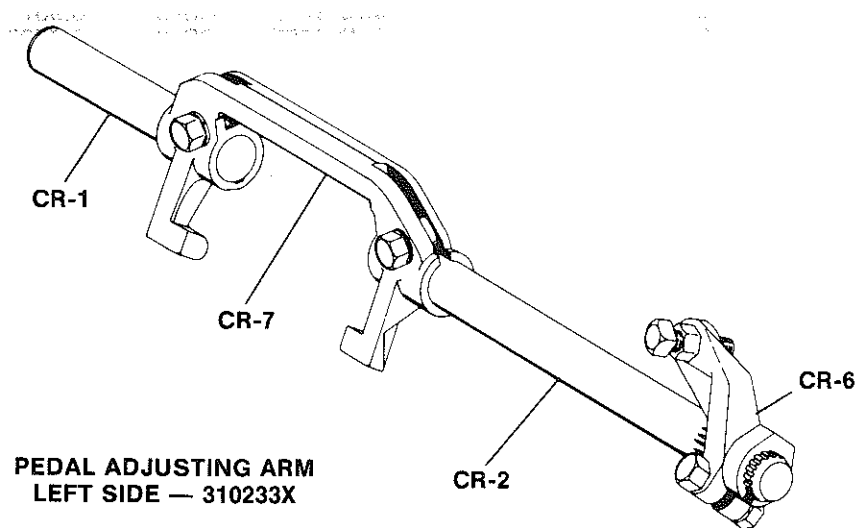
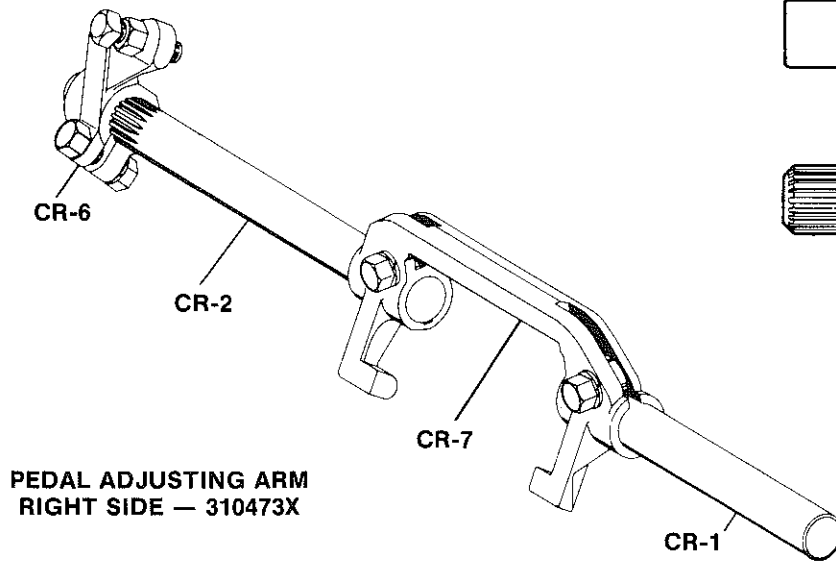
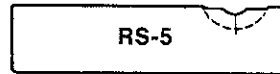
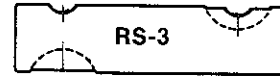
Lever & Dome Assembly	Lever Assembly P-8 thru P-14	Ref. No.	Variable Part No.	Length	Description
311034X	311033X	{ P-13 P-14	25Q-1529 —	31 1/4" —	Bent (Shift Lever Handle) Not Included
311055X	311054X	P-13	25Q-1510	29 1/4"	Bent
311064X	311063X	{ P-13 P-14	25Q-1536 39Q-15	25 5/16" —	Bent Shift Lever Handle
311200X	310148X	P-13	25Q-1292	25 3/8"	Bent
311233X	311232X	P-13	25Q-1587	23 1/2"	Bent
311242X	311241X	{ P-13 P-14	25Q-1590 39Q-15	21 1/2" —	Bent Shift Lever Handle
311483X	—	P-13	25Q-1636	27 3/4"	Bent
311483-1X	—	{ P-13 P-14	25Q-1696 —	33" —	Bent (Shift Lever Handle) Not Included
311483-2X	—	P-13	25Q-1717	27 13/32"	Bent
311542-6X	—	{ P-7 P-13	62-16-66 25Q-1979	— 27"	Shift Lever Dome Bent
311542-8X	—	{ P-7 P-13	62-16-66 25Q-2075	— 29 3/16"	Shift Lever Dome Bent
311704X	—	{ P-13 N.S.	25Q-1701-1 55Q-5	25 1/8" —	Bent Shift Lever Grommet
311704-1X	—	{ P-13 N.S.	25Q-1587 55Q-5	23 1/2" —	Bent Shift Lever Grommet
311704-2X	—	{ P-13 N.S.	25Q-1701-2 55Q-5	25 7/16" —	Bent Shift Lever Grommet
311704-4X	—	{ P-13 N.S.	25Q-1701-4 55Q-5	25 3/8" —	Bent Shift Lever Grommet
311704-5X	—	{ P-13 N.S.	25Q-1701-5 55Q-5	25 1/2" —	Bent Shift Lever Grommet
311704-6X	—	{ P-13 N.S.	25Q-1826 55Q-5	24" —	Bent Shift Lever Grommet
311704-7X	—	{ P-13 N.S.	25Q-1842 55Q-5	24 13/32" —	Bent Shift Lever Grommet
311704-17X	—	{ P-13 N.S.	25Q-1701-11 55Q-5	26 1/2" —	Bent Shift Lever Grommet

N.S. - Not Shown

Assemblies Listed Below Include P-1 thru P-14
 Except Where Noted

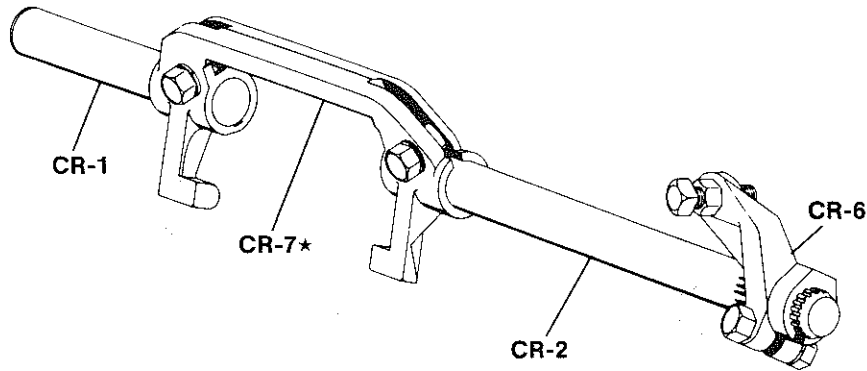
Lever & Dome Assembly	Lever Assembly P-8 thru P-14	Ref. No.	Variable Part No.	Length	Description
311704-18X	—	{ P-13 N.S.	25Q-1701-12 55Q-5	26 ⁴⁵ / ₆₄ " —	Bent Shift Lever Grommet
311704-21X	—	{ P-13 N.S.	25Q-1954 55Q-5	27" —	Bent Shift Lever Grommet
311704-22X	—	{ P-13 N.S.	25Q-1963 55Q-5	26 ⁴⁵ / ₆₄ " —	Bent Shift Lever Grommet
311741X	310611-6X	P-13	25Q-1630	35"	Straight
311921X	—	{ P-13 P-14	25Q-1770 39Q-15	23 ⁶¹ / ₆₄ " —	Bent Shift Lever Handle
312104X	—	{ P-13 P-14	25Q-1812 —	25 ⁵ / ₁₆ " —	Bent (Shift Lever Handle) Not Included
312176X	—	{ P-13 P-14 N.S.	25Q-1292 — 55Q-5	25 ³ / ₈ " — —	Bent (Shift Lever Handle) Not Included Shift Lever Grommet
62-16-33-3X	—	{ P-7 P-13 N.S.	62-16-33 25Q-1701-20 55Q-5	— 30" —	Shift Lever Dome Bent Shift Lever Grommet
62-16-33-5X	—	{ P-7 P-13 N.S. N.S.	62-16-33 25Q-1231-3 55Q-5 62-438-2	— 30" — —	Shift Lever Dome Straight Shift Lever Grommet Plunger Pin - 1st and reverse shift lever
N.S. - Not Shown					

CLUTCH RELEASE SHAFT — LONG



CR-6 PEDAL ADJ. ARM		CR-2 LONG SHAFT (Con't)			
310233X	For Left Side Mtg.	Part No.	Type	Length	
310473X	For Right Side Mtg.	106C-438	RS-5	14.000"	
310873X	For Right Side Mtg.	106C-588	RS-5	7.00"	
CR-7 CLUTCH RELEASE YOKE*		106C-617	RS-8	10.469"	
105C-64	For Spicer 15½" Single Plate Pull Type Clutches	106C-781	RS-5	11.689"	
105C-68	For Spicer 14" Single Plate Pull Type Clutches	106C-839	RS-8	11.469"	
105C-117	For Lipe Rollway and Borg and Beck Push Type Clutches	106C-939	RS-8	10.000"	
105C-122	For Spicer 14" or 15½"-2 Plate Pull Type Clutches	106C-953	RS-8	9.750"	
105C-124	For Lipe Rollway and Borg and Beck Push Type Clutches	106C-954	RS-8	9.875"	
105C-128	For Lipe Rollway Push Type Clutches	106C-960	RS-8	8.719"	
105C-132	For Lipe Rollway Push Type Clutches	106C-1023	RS-8	12.469"	
105C-137	For Spicer 14" or 15½" - 2 Plate Pull Type Clutches	106C-1046	RS-8	8.969"	
85-509-3	For Lipe Rollway and Borg and Beck Push Type Clutches	106C-1047	RS-8	9.469"	
CR-1 SHORT SHAFT		106C-1083	RS-8	7.969"	
Part No.	Length	106C-1094	RS-8	8.469"	
62-510-5	5.000"	106C-1123	RS-8	12.969"	
106C-1141	5.125"	106C-1169	RS-8	9.125"	
106C-1142	6.125"	106C-1235	RS-8	6.938"	
106C-1185	5.750"	106C-1315	RS-8	7.625"	
106C-1216	4.750"	106C-1367	RS-8	10.312"	
106C-1278	4.812"	106C-1375	RS-8	6.781"	
106C-1360	5.312"	106C-1406	RS-8	6.000"	
106C-1544	7.000"	106C-1409	RS-5	8.375"	
CR-2 LONG SHAFT		106C-1410	RS-8	10.750"	
Part No.	Type	Length			
46-510-3	RS-3	7.125"	106C-1417	RS-8	7.250"
46-510-9	Round	7.125"	106C-1422	RS-8	7.500"
46-510-11	RS-8	8.250"	106C-1483	RS-3	8.312
62-510-2	RS-8	8.375"	106C-1506	RS-8	19.500"
62-510-3	RS-3	7.250"	106C-1529	RS-3	8.312"
62-510-6	RS-8	8.375"	106C-1538	RS-5	14.500"
62-510-7	RS-3	6.875"	106C-1546	RS-3	8.000"
62-510-8	RS-3	8.125"	106C-1549	Round	6.500"
62-510-9	Splined	9.750"	106C-1552	RS-3	6.937"
62-510-10	RS-8	9.562"	106C-1557	RS-3	6.750"
62-510-11	RS-3	8.000"	106C-1559	RS-3	7.000"
62-510-18	RS-8	9.375"	106C-1563	RS-3	7.562"
80-510-6	RS-8	7.625"	106C-1574	RS-5	8.062"
80-510-16	RS-8	8.125"	106C-1580	RS-3	6.750"
80-510-20	RS-8	8.250"	106C-1588	RS-3	8.000"
		THRU SHAFT			
		Part No.	Type	Length	
		62-510-4	Splined	17.625"	
		106C-1550	Round	16.375"	
		106C-1558	Round	19.000"	
		106C-1561	Splined	18.750"	
		106C-1568	Splined	16.875"	
		106C-1578	Splined	19.500"	
		106C-1581	Splined	19.000"	
		330612-3	Round	18.750"	

*CLUTCH RELEASE YOKE ATTACHING PARTS — one KEY 10-30, two SCREWS 330231 and LOCK WASHERS 500356-12.



Code	CR-7 Yoke*	Shafts		CR-6 Pedal Adj. Arm
		CR-1 Short	CR-2 Long	
105C-64 RELEASE YOKE				
1	105C-64	106C-1141	106C-1047	310233X
2	105C-64	106C-1216	106C-1552	—
3	105C-64	106C-1278	106C-438	—
4	105C-64	106C-1278	106C-887	—
5	105C-64	106C-1278	106C-1023	—
6	105C-64	106C-1278	106C-1047	—
7	105C-64	106C-1278	106C-1047	310233X
8	105C-64	106C-1278	106C-1483	—
8-A	105C-64	106C-1360	106C-1023	—
9	105C-64	106C-1360	106C-1083	—
10	105C-64	106C-1360	106C-1557	—
11	105C-64	106C-1360	330600-4	—
105C-68 RELEASE YOKE				
12	105C-68	106C-1141	46-510-11	—
13	105C-68	106C-1141	80-510-20	—
14	105C-68	106C-1141	106C-438	—
15	105C-68	106C-1141	106C-939	310233X
16	105C-68	106C-1141	106C-1047	310233X
17	105C-68	106C-1141	106C-1094	310233X
18	105C-68	106C-1141	106C-1169	310233X
19	105C-68	106C-1141	106C-1538	—
20	105C-68	106C-1141	106C-1546	—
21	105C-68	106C-1141	106C-1563	—
22	105C-68	106C-1142	106C-1367	—
23	105C-68	106C-1278	106C-1047	310233X

*CLUTCH RELEASE YOKE ATTACHING PARTS — one KEY 10-30, two SCREWS 330231 and LOCK WASHERS 500356-12.

T210-6000

MODEL 6000

CLUTCH RELEASE CODE TABLE (Con't)



Code	CR-7 Yoke*	Shafts		CR-6 Pedal Adj. Arm
		CR-1 Short	CR-2 Long	
105C-117 RELEASE YOKE				
24	105C-117	—	—	—
25	105C-117	106C-1185	62-510-2	—
26	105C-117	106C-1185	62-510-3	—
27	105C-117	106C-1185	62-510-7	—
28	105C-117	106C-1185	62-510-9	—
29	105C-117	106C-1185	62-510-9	310233X
30	105C-117	106C-1185	62-510-11	—
31	105C-117	106C-1185	106C-438	—
32	105C-117	106C-1185	106C-939	310233X
33	105C-117	106C-1185	106C-954	—
34	105C-117	106C-1185	106C-1046	310233X
35	105C-117	106C-1185	106C-1047	310233X
36	105C-117	106C-1185	106C-1047	310473X
37	105C-117	106C-1185	106C-1083	310233X
38	105C-117	106C-1185	106C-1094	310233X
39	105C-117	106C-1185	106C-1169	310233X
40	105C-117	106C-1185	106C-1315	310233X
41	105C-117	106C-1185	106C-1417	310233X
42	105C-117	106C-1185	106C-1422	310233X
43	105C-117	106C-1185	330610-4	—
44	105C-117	106C-1185	330610-10	—
45	105C-117	106C-1216	106C-438	—
46	105C-117	106C-1216	106C-960	—
47	105C-117	106C-1216	106C-1047	310233X
48	105C-117	106C-1216	106C-1169	—
49	105C-117	106C-1216	106C-1235	—
50	105C-117	106C-1216	106C-1367	—
51	105C-117	106C-1216	106C-1367	310233X
52	105C-117	106C-1216	106C-1409	—
53	105C-117	106C-1216	106C-1549	—
54	105C-117	106C-1216	106C-1559	—
55	105C-117	106C-1216	106C-1574	—
56	105C-117	106C-1278	46-510-3	—
57	105C-117	106C-1278	62-510-2	—
58	105C-117	106C-1278	62-510-3	—
59	105C-117	106C-1278	62-510-18	310233X
60	105C-117	106C-1278	80-510-6	310233X
61	105C-117	106C-1278	80-510-16	310233X
62	105C-117	106C-1278	106C-438	—
63	105C-117	106C-1278	106C-939	310233X
64	105C-117	106C-1278	106C-939	310473X
65	105C-117	106C-1278	106C-960	310233X
66	105C-117	106C-1278	106C-960	310473X
67	105C-117	106C-1278	106C-1047	310233X
68	105C-117	106C-1278	106C-1083	—
69	105C-117	106C-1278	106C-1083	310233X
70	105C-117	106C-1278	106C-1094	310233X
71	105C-117	106C-1278	106C-1169	—
72	105C-117	106C-1278	106C-1169	310233X
73	105C-117	106C-1278	106C-1235	—

*CLUTCH RELEASE YOKE ATTACHING PARTS — one KEY 10-30, two SCREWS 330231 and LOCK WASHERS 500356-12.

MODEL 6000 CLUTCH RELEASE CODE TABLE (Con't)

T210-6000

Code	CR-7 Yoke*	Shafts		CR-6 Pedal Adj. Arm
		CR-1 Short	CR-2 Long	
105C-117 RELEASE YOKE (Con't)				
74	105C-117	106C-1278	106C-1235	310233X
75	105C-117	106C-1278	106C-1315	—
76	105C-117	106C-1278	106C-1315	310233X
77	105C-117	106C-1278	106C-1367	310233X
78	105C-117	106C-1278	106C-1375	310233X
79	105C-117	106C-1278	106C-1410	310233X
80	105C-117	106C-1278	106C-1422	—
81	105C-117	106C-1278	106C-1422	310233X
82	105C-117	106C-1360	46-510-9	—
83	105C-117	106C-1360	46-510-11	310233X
84	105C-117	106C-1360	62-510-3	—
85	105C-117	106C-1360	62-510-7	—
86	105C-117	106C-1360	62-510-18	310233X
87	105C-117	106C-1360	62-510-18	310473X
88	105C-117	106C-1360	106C-438	—
89	105C-117	106C-1360	106C-438	310233X
90	105C-117	106C-1360	106C-939	310233X
91	105C-117	106C-1360	106C-960	310233X
92	105C-117	106C-1360	106C-1046	310233X
93	105C-117	106C-1360	106C-1047	—
94	105C-117	106C-1360	106C-1047	310233X
95	105C-117	106C-1360	106C-1083	310233X
96	105C-117	106C-1360	106C-1094	—
97	105C-117	106C-1360	106C-1094	310233X
98	105C-117	106C-1360	106C-1169	—
99	105C-117	106C-1360	106C-1169	310233X
100	105C-117	106C-1360	106C-1315	310233X
101	105C-117	106C-1360	106C-1315	310473X
102	105C-117	106C-1360	106C-1422	310233X
103	105C-117	106C-1360	106C-1549	—
104	105C-117	106C-1360	330600-1	—
105	105C-117	106C-1360	330610-10	—
106	105C-117	106C-1544	106C-953	310873X
107	105C-117	Thru Shaft	106C-1550	—
108	105C-117	Thru Shaft	106C-1558	—
109	105-117	Thru Shaft	106C-1578	310873X
110	105C-117	—	{ 106C-1094 106C-1235	310233X L.H. 310437X R.H.
105C-122 RELEASE YOKE				
111	105C-122	62-510-5	62-510-6	—
112	105C-122	106C-1185	106C-438	—
113	105C-122	106C-1185	106C-617	310233X
114	105C-122	106C-1185	106C-839	—
115	105C-122	106C-1185	106C-939	310233X

*CLUTCH RELEASE YOKE ATTACHING PARTS — one KEY 10-30, two SCREWS 330231 and LOCK WASHERS 500356-12.

MODEL 6000

CLUTCH RELEASE CODE TABLE (Con't)

Code	CR-7 Yoke*	Shafts		CR-6 Pedal Adj. Arm
		CR-1 Short	CR-2 Long	
105C-122 RELEASE YOKE (Con't)				
116	105C-122	106C-1185	106C-954	310233X
117	105C-122	106C-1185	106C-1023	—
118	105C-122	106C-1185	106C-1046	—
119	105C-122	106C-1185	106C-1047	—
120	105C-122	106C-1185	106C-1047	310233X
121	105C-122	106C-1185	106C-1083	—
122	105C-122	106C-1185	106C-1315	310233X
123	105C-122	106C-1185	106C-1588	—
124	105C-122	106C-1216	106C-438	—
125	105C-122	106C-1216	106C-617	310233X
126	105C-122	106C-1278	62-510-2	—
127	105C-122	106C-1278	62-510-8	—
128	105C-122	106C-1278	62-510-10	310233X
129	105C-122	106C-1278	62-510-18	—
130	105C-122	106C-1278	106C-438	—
131	105C-122	106C-1278	106C-588	—
132	105C-122	106C-1278	106C-617	—
133	105C-122	106C-1278	106C-617	310233X
134	105C-122	106C-1278	106C-781	—
135	105C-122	106C-1278	106C-887	310233X
136	105C-122	106C-1278	106C-939	—
137	105C-122	106C-1278	106C-939	310233X
138	105C-122	106C-1278	106C-1023	310233X
139	105C-122	106C-1298	106C-1046	310217X
140	105C-122	106C-1278	106C-1046	310233X
141	105C-122	106C-1278	106C-1047	—
142	105C-122	106C-1278	106C-1047	310233X
143	105C-122	106C-1278	106C-1083	—
144	105C-122	106C-1278	106C-1083	310217X
145	105C-122	106C-1278	106C-1083	310233X
146	105C-122	106C-1278	106C-1083	310473X
147	105C-122	106C-1278	106C-1094	—
148	105C-122	106C-1278	106C-1094	310233X
149	105C-122	106C-1278	106C-1315	310233X
150	105C-122	106C-1278	106C-1315	310473X
151	105C-122	106C-1278	106C-1375	—
152	105C-122	106C-1278	106C-1406	—
153	105C-122	106C-1278	106C-1422	—
154	105C-122	106C-1278	106C-1422	310233X
155	105C-122	106C-1278	106C-1422	310473X
156	105C-122	106C-1278	106C-1506	—
157	105C-122	106C-1278	106C-1529	—
158	105C-122	106C-1278	106C-1580	—
159	105C-122	106C-1278	106C-1588	—
160	105C-122	106C-1360	106C-939	—
161	105C-122	106C-1360	106C-1083	—
162	105C-122	106C-1544	106C-1023	310233X

*CLUTCH RELEASE YOKE ATTACHING PARTS — one KEY 10-30, two SCREWS 330231 and LOCK WASHERS 500356-12.

Code	CR-7 Yoke*	Shafts		CR-6 Pedal Adj. Arm
		CR-1 Short	CR-2 Long	
105C-124 RELEASE YOKE				
163	105C-124	Thru Shaft	62-510-4	310233X
164	105C-124	Thru Shaft	106C-1566	▲ 7743X
165	105C-124	Thru Shaft	106C-1566	310233X
166	105C-124	Thru Shaft	106C-1566	▲ { 7743X 310233X
167	105C-124	Thru Shaft	106C-1568	—
168	105C-124	Thru Shaft	106C-1581	—
169	105C-124	Thru Shaft	330612-3	—
170	105C-124	Thru Shaft	330612-3	▲ 7743X
▲ — 7743X Clutch Release Bearing Support Assembly				
105C-128 RELEASE YOKE				
171	105C-128	106C-1185	106C-939	—
172	105C-128	106C-1185	106C-1047	310233X
173	105C-128	106C-1185	106C-1417	310233X
174	105C-128	106C-1216	106C-1094	—
175	105C-128	106C-1216	106C-1094	310233X
176	105C-128	106C-1278	106C-1315	—
177	105C-128	106C-1278	106C-1375	—
178	105C-128	106C-1278	106C-1410	310233X
179	105C-128	106C-1360	106C-438	—
180	105C-128	106C-1360	106C-1047	310233X
181	105C-128	106C-1360	106C-1083	310233X
182	105C-128	106C-1360	106C-1094	—
183	105C-128	106C-1360	106C-1094	310233X
184	105C-128	106C-1360	106C-1417	310233X
185	105C-128	Thru Shaft	106C-1561	—
186	105C-128	Thru Shaft	106C-1578	—
187	105C-128	Thru Shaft	106C-1578	310473X
105C-132 RELEASE YOKE				
188	105C-132	106C-1185	46-510-9	—

*CLUTCH RELEASE YOKE ATTACHING PARTS — one KEY 10-30, two SCREWS 330231 and LOCK WASHERS 500356-12.

T210-6000

MODEL 6000

CLUTCH RELEASE CODE TABLE (Con't)



Code	CR-7 Yoke*	Shafts		CR-6 Pedal Adj. Arm
		CR-1 Short	CR-2 Long	
105C-137 RELEASE YOKE				
189	105C-137	106C-1141	106C-1169	310233X
190	105C-137	106C-1185	106C-438	—
191	105C-137	106C-1185	106C-939	310233X
192	105C-137	106C-1185	106C-1046	310233X
193	105C-137	106C-1185	106C-1047	310233X
194	105C-137	106C-1185	106C-1123	310233X
195	105C-137	106C-1185	106C-1588	—
196	105C-137	106C-1216	106C-617	310233X
197	105C-137	106C-1278	62-510-18	—
198	105C-137	106C-1278	106C-438	—
199	105C-137	106C-1278	106C-588	—
200	105C-137	106C-1278	106C-617	310233X
201	105C-137	106C-1278	106C-939	310233X
202	105C-137	106C-1278	106C-939	310873X
203	105C-137	106C-1278	106C-960	310233X
204	105C-137	106C-1278	106C-1023	310233X
205	105C-137	106C-1278	106C-1046	—
206	105C-137	106C-1278	106C-1046	310233X
207	105C-137	106C-1278	106C-1047	—
208	105C-137	106C-1278	106C-1047	310233X
209	105C-137	106C-1278	106C-1083	310233X
210	105C-137	106C-1278	106C-1094	310233X
211	105C-137	106C-1278	106C-1367	310233X
212	105C-137	106C-1278	106C-1422	310233X
213	105C-137	106C-1278	106C-1529	—
214	105C-137	106C-1278	106C-1588	—
215	105C-137	106C-1360	106C-1083	—
216	105C-137	106C-1360	106C-1422	310233X
217	105C-137	106C-1375	106C-438	310233X
218	105C-137	106C-1498	106C-1083	310233X
85-509-3 RELEASE YOKE				
219	85-509-3	106C-1185	106C-1417	310233X
220	85-509-3	106C-1216	106C-1094	310233X
221	85-509-3	106C-1360	106C-1094	310233X
222	85-509-3	106C-1360	106C-1417	310233X
223	85-509-3	Thru Shaft	106C-1578	310473X

*CLUTCH RELEASE YOKE ATTACHING PARTS — one KEY 10-30, two SCREWS 330231 and LOCK WASHERS 500356-12.

Tab No.	Used By	MODEL RATIO	For Use With Clutch	Clutch Housing			Main Drive Gear A-1	Front Bearing Cap F-2	Case Assembly G-1
				S A E	Assembly No. E-2	Rel. Code Pages 58-61			
3905									
-1	—	6352	L-R, 15"SP	2	102C-509	107	62-35-28	62-19-25	310503X
-2	—	6453	L-R, 15"SP	2	7043X	53	62-35-30	"	—
-3	—	6453	Spi., 13"2P	2	8005X	—	"	62-19-22	—
-4	—	6452	Spi., 13"2P	2	"	—	"	"	—
-5	—	6453	L-R, 15"SP	2	102C-509	107	"	62-19-25	310503X
-6	—	6453	Spi., 13"2P	2	8005X	—	62-35-33	62-19-22	8090X
-7	—	6453	—	—	—	—	62-35-32	62-19-41	8086X
-8	—	6352	Rock	2	7005X	20	62-35-34	62-19-31	8086X
-9	Dia. T	6453	Rock	2	"	20	62-35-35	"	"
-10	—	6453	Long, 15"SP	2	8005X	124	62-35-46	62-19-47	310066X
-11	Dia. T	6452	Rock	2	7005X	124	62-35-35	62-19-31	8086X
-12*	Southern Coach	6352	Spi., 13"2P	3	7969X	2	62-35-37	62-19-22	310066X
	*1st speed Blocked out								
-13	—	6352	L-R, 15"ML	2	7043X	54	62-35-34	62-19-25	310066X
-14	—	6453	Spi., 14"2P	1	8140X	9	62-35-33	62-19-22	8090X
-15	—	6453	Spi., 14"2P	1	310034X	144	"	"	310066X
-16	—	6453	Spi., 14"2P	1	310034X	144	62-35-33	62-19-22	8090X
-17	White	6453-A	Spi., 14"2P	2	8019X	—	"	"	310037X
-18	—	6453	Spi., 13"2P	2	"	125	"	"	310498X
-19	—	6452	Spi., 14"2P	1	310034X	144	"	"	8090X
-20	—	6452	Spi., 14"2P	1	"	144	"	"	"
-21	Carwell	6352	Spi., 14"SP	2	310099X	114	62-35-40	62-19-22	310066X
-22	—	6452	L-R, 15"SP	2	7043X	50	62-35-35	62-19-25	"
-23	—	6453	—	—	—	—	62-35-32	62-19-41	8086X
-24	—	6852	Spi., 14"2P	2	7041X	14	62-35-42	62-19-22	8090X
-25	IHC	6453	Spi., 14"2P	2	8019X	—	62-35-33	"	8086X
-26	—	6852	Spi., 14"2P	1	310034X	134	62-35-36	62-19-22	8090X
-27	—	6352	L-R, 15"ML	2	7522X	52	62-35-34	62-19-25	310498X
-28	—	6453	Spi., 15½"SP	2	7301X	112	62-35-41	62-19-22	8086X
-29	—	6452	Spi., 15½"SP	1	310170X	117	"	"	8090X
-30	—	6853	Spi., 15½"SP	2	7301X	121	62-35-42	"	8086X
-31	—	6352	Rock, 15"SP	2	7005X	21	62-35-34	62-19-31	310066X
-32	—	6453	Spi., 13"2P	3	7969X	4	62-35-33	62-19-22	8090X
-33	—	6453-A	L-R, 15"ML	2	7522X	52	62-35-35	62-19-25	"
-34	—	6453	Rock, 15"SP	2	7006X	21	"	62-19-31	310066X
-35	—	6453	Long, 15"SP	1	310230X	45	"	62-19-25	8090X
-36	—	6452	Long, 15"SP	1	310230X	45	62-35-35	62-19-25	8090X
-37	—	6453	Spi., 15½"SP	1	310170X	162	62-35-41	62-19-22	8090X
-38	—	6452	Spi., 15½"2P	2	7301X	114	"	"	310498X
-39	—	6352	L-R, 15"SP	2	102C-509	107	62-35-28	62-19-25	310503X
-40	—	6453	L-R, 15"SP	2	7043X	46	62-35-35	"	310498X

MODEL 6000 TABULATED BILLS of MATERIAL



Tab No.	Rear Brg. Cap Assy's		Speedometer		(-) Brake Assy See Footnote	Shifter		
	Cap Bushing and Seal	Cap and Bushing	Drive Gear	Driven Gear	End Yoke or Companion Flange	Housing Assembly Pages	Lever & Dome Assy. Pages	Remote Control Pages
	H-2	H-3	B-16	H-8	B-17	36-39	50-53	40-49
3905								
-1	■62-19-43	—	—	—	6-1-198X(1)	—	—	—
-2	"	—	—	—	5-1-3061(1)	—	—	—
-3	—	7116X	—	—	— (2)	—	—	—
-4	—	"	—	—	— (2)	—	—	—
-5	■62-19-43	—	—	—	6-1-198X(1)	—	—	—
-6	—	7116X	—	—	— (2)	8088X	8091X	—
-7	310210X	310157X	—	—	5-1-278X(1)	"	8087X	—
-8	—	7116X	—	—	— (1)	"	8111X	—
-9	—	"	—	—	— (1)	"	"	—
-10	—	"	62-452-3	62-453-4	5-1-3151	310181X	—	310054X
-11	—	7116X	—	—	— (1)	8088X	8111X	—
-12	—	"	—	—	5-1-3151	8153X	—	—
-13	—	7116X	62-452-3	62-453-5	5-1-3151(1)	310181X	—	8155X
-14	—	"	—	—	6-1-2221	8088X	8091X	—
-15	—	"	62-452-5	—	"	"	"	—
-16	—	7116X	62-452-5	—	6-1-2261	8088X	8091X	—
-17	—	8144X	62-452-7	—	— (3)	"	310035X	—
-18	—	7116X	—	—	5-1-3141(2)	"	8091X	—
-19	—	"	62-452-5	—	6-1-2261	"	310083X	—
-20	—	"	"	—	6-1-2221	"	"	—
-21	—	—	—	—	—	8088X	—	—
-22	—	7116X	—	—	5-1-3141	"	310104X	—
-23	—	—	—	—	6-1-2401X(1)	"	310258X	—
-24	—	7116X	62-452-3	62-453-5	— (1)	310181X	—	—
-25	—	"	62-452-2	—	— (1)	8088X	8111X	—
-26	—	7116X	—	—	6-1-2221	310181X	—	310054X
-27	—	"	—	—	— (1)	8088X	310083X	—
-28	310210X	310157X	—	—	5-1-278X(1)	310181X	—	310789X
-29	—	7116X	—	—	5-1-3141(15)	8088X	310171X	—
-30	310210X	310157X	—	—	5-1-278X(1)	310181X	—	310789X
-31	—	7116X	62-452-3	62-453-4	5-1-3151	310181X	—	310225X
-32	—	"	—	—	5-1-3191	"	—	310054X
-33	—	"	—	—	— (1)	8088X	310083X	—
-34	—	"	62-452-3	62-453-4	5-1-3151	310181X	—	310225X
-35	—	"	"	"	"	"	—	—
-36	—	7116X	62-452-3	62-453-4	6-1-2251	310181X	—	310054X
-37	—	"	—	—	5-1-3141(15)	8088X	310171X	—
-38	—	"	—	—	6-1-2251(2)	"	310083X	—
-39	■62-19-43	—	—	—	6-1-198X	310159X	—	310054X
-40	—	7116X	—	—	5-1-3141(3)	8088X	8091X	—

■Rear Bearing Cap Used with Oil Seal 62-463-6

- (1) Brake Parts only, See Pages 34-35
- (2) 5400-2X Brake Assembly, See Pages 34-35
- (3) 5400-1X Brake Assembly, See Pages 34-35
- (15) 5400-1X and 5400-2X, Uses two Brake Assemblies. See Pages 34-35

Tab No.	Used By	MODEL RATIO	For Use With Clutch	Clutch Housing			Main Drive Gear A-1	Front Bearing Cap F-2	Case Assembly G-1
				S A E	Assembly No. E-2	Rel. Code Pages 58-61			
3905 (Con't)									
-41	—	6453	L-R, 15"ML	2	7522X	52	62-35-35	62-19-25	310066X
-42	—	6352	Spi., 15½"SP	2	7043X	45	62-35-34	"	310498X
-43	—	6352	Spi., 14"2P	2	8019X	133	62-35-37	62-19-22	310297X
-44	—	6452	Spi., 15½"SP	2	7301X	120	62-35-41	"	310498X
-45	Maxim	6853-B	Spi., 14"2P	1	310821X	204	62-35-36	"	312669X
-46	—	6453-A	Spi., 15½"SP	2	7301X	122	62-35-41	62-19-22	310498X
-47	—	6452	L-R, 15"SP	2	7043X	46	62-35-35	62-19-25	310498X
-48	—	6352	Rock, 14"TT	2	7046X	167	62-35-48	62-19-45	8086X
-49	—	6453-A	Spi., 14"2P	2	8019X	149	62-35-33	62-19-22	310498X
-50	Peter Pirsch	6853-B	Spi., 14"2P	2	"	125	62-35-36	"	"
-51	—	6453	Long, 15"4A	2	310329X	—	62-35-46	62-19-50	8090X
-52	—	6453	L-R, 15"SP	2	7043X	48	62-35-35	62-19-25	310498X
-53	—	6853	14"2P	2	8019X	147	62-35-36	62-19-22	310066X
-54	—	6453	14"SP	2	7041X	18	62-35-41	"	310498X
-55	—	6852	13"2P	3	7969X	5	62-35-36	"	310066X
-56	—	6453	14"2P	1	310034X	138	62-35-33	62-19-22	8090X
-57	—	6352	L-R, 15"SP	2	7043X	54	62-35-34	62-19-25	310066X
-58	—	6853	Spi., 15½"2P	1	310170X	118	62-35-42	62-19-22	"
-59	Reo	6352	Rock, 14"SP	2	7046X	167	62-35-48	62-19-45	311705X
-60	—	6453	L-R, 15"SP	2	7043X	49	62-35-30	62-19-25	310297X
-61	Pacific Trk	6853	Spi., 14"2P	1	310034X	132	62-35-36	62-19-22	310940X
-62	—	6352	Spi., 15½"SP	2	7301X	118	62-35-40	"	310066X
-63	—	6852	Spi., 14"2P	2	8019X	142	62-35-36	"	310498X
-64	—	6453	Spi., 15½"SP	2	7301X 119	119	62-35-41	"	"
-65	—	6352	Long, 14"SP	2	7046X	167	62-35-48	62-19-45	311705X
-66	—	6853	—	2	7043X	51	62-35-50	62-19-25	310066X
-67	—	6453	Rock	2	7005X	20	62-35-35	62-19-31	8086X
-68	—	6352	Long, 15"4A	2	310329X	—	62-35-51	62-19-50	8090X
-69	—	6453	L-R, 15"SP	2	7043X	48	62-35-35	62-19-25	310498X
-70	IHC	6453	14"2P	1	310034X	144	62-35-33	62-19-22	310066X
-71	IHC	6453-A	Spi., 2P	2	8019X	144	62-35-33	62-19-22	310066X
-72	Dia. T	6453	— 2P	2	"	—	"	"	8086X
-73	—	6453	L-R, 15"ML	2	7522X	55	62-35-35	62-19-25	8090X
-74	Maxim	6452	Long, 15"SP	1	8019X	125	62-35-36	62-19-22	310498X
-75	Highway Prod.	6452	Long, 15"SP	1	310230X	—	62-35-35	62-19-25	310066X
-76	—	6852	Spi., 14"2P	2	8019X	142	62-35-36	62-19-22	310498X
-77	—	6453	Spi., 15½"SP	1	310170X	113	62-35-41	"	"
-78	Dia. T	6453	Rock	2	7005X	20	62-35-30	62-19-31	8086X
-79	Dia. T	6452	Rock	2	"	20	"	"	"
-80	—	6452	L-R, 15"ML	2	7522X	55	62-35-35	62-19-25	8090X

MODEL 6000
TABULATED BILLS of MATERIAL



Tab No.	Rear Brg. Cap Assy's		Speedometer		(-) Brake Ass'y See Footnote	Shifter		
	Cap Bushing and Seal H-2	Cap and Bushing H-3	Drive Gear B-16	Driven Gear H-8	End Yoke or Companion Flange B-17	Housing Assembly Pages 36-39	Lever & Dome Assy. Pages 50-53	Remote Control Pages 40-49

3905 (Con't)

-41	—	7116X	—	—	—	8088X	310083X	—
-42	—	"	—	—	(4)	"	"	—
-43	—	"	—	—	6-1-2251(4)	"	"	—
-44	—	"	—	—	"(2)	"	"	—
-45	—	"	—	—	5-1-3141	"	310633X	—
-46	—	7116X	—	—	5-1-3151(4)	8088X	310083X	—
-47	—	7116X	—	—	5-1-3141(3)	"	8091X	—
-48	310210X	310157X	—	—	5-1-278X(3)	"	310430X	—
-49	—	7116X	—	—	5-1-3151(4)	"	310083X	—
-50	—	"	—	—	5-1-3141(2)	"	"	—
-51	—	7116X	—	—	(1)	8088X	—	—
-52	—	"	62-452-3	62-453-4	6-1-2221(5)	"	310334X	—
-53	—	"	—	—	5-1-3151	310181X	—	8150X
-54	—	"	62-452-3	62-453-4	6-1-2221(5)	8088X	310334X	—
-55	—	"	—	—	"	310181X	—	310054X
-56	—	7116X	—	—	5-1-3141(3)	8088X	310171X	—
-57	—	"	62-452-3	62-453-5	5-1-3151	310451X	310339X	—
-58	—	"	—	—	—	310181X	—	310054X
-59	—	"	62-452-6	—	5-1-3151(3)	8088X	310430X	—
-60	—	"	—	—	5-1-3141	"	8091X	—
-61	—	7116X	—	—	6-1-2221(4)	8088X	310083X	—
-62	—	"	—	—	5-1-3141	8088X	8091X	—
-63	—	"	—	—	6-1-2251(2)	8088X	310083X	—
-64	—	"	62-452-3	—	"(2)	"	"	—
-65	—	"	—	—	5-1-3141(3)	"	310430X	—
-66	—	7116X	—	—	5-1-3141	8088X	310104X	—
-67	—	"	—	—	—	310181X	—	310054X
-68	—	"	—	—	(1)	8088X	—	—
-69	—	"	—	—	5-1-3141(3)	"	310083X	—
-70	—	"	62-452-5	—	—	"	8091X	—
-71	—	7116X	62-452-5	—	—	8088X	8091X	—
-72	—	"	—	—	—	310181X	—	310054X
-73	—	"	—	—	(1)	8088X	—	—
-74	—	"	—	—	5-1-3151(2)	"	310083X	—
-75	—	"	62-452-5	—	"	310451X	310339X	—
-76	—	7116X	—	—	(3)	8088X	310104X	—
-77	—	"	—	—	6-1-2251(4)	"	310083X	—
-78	—	"	—	—	(1)	"	8111X	—
-79	—	"	—	—	(1)	"	"	—
-80	—	"	—	—	(1)	"	—	—

- (1) Brake Parts only, See Pages 34-35
- (2) 5400-2X Brake Assembly, See Pages 34-35
- (3) 5400-1X Brake Assembly, See Pages 34-35
- (4) 5400-3X Brake Assembly, See Pages 34-35
- (5) 5400-37X Brake Assembly, See Pages 34-35

Tab No.	Used By	MODEL RATIO	For Use With Clutch	Clutch Housing			Main Drive Gear A-1	Front Bearing Cap F-2	Case Assembly G-1
				S A E	Assembly No. E-2	Rel. Code Pages 58-61			
3905 (Con't)									
-81*	Joy	6853	Spi., 15½"SP	1	310170X	192	62-35-42	310729X	310066X
			*Transmission UNSYNCHRONIZED						
-82	—	6452	Long, 15"4A	2	310329X	—	62-35-46	62-19-50	8090X
-83	Peter Pirsch	6853-B	Spi., 14"2P	2	8019X	133	62-35-36	62-19-22	310498X
-84	—	6352	L-R, 15"ML	2	7043X	45	62-35-34	62-19-25	310066X
-85	—	6352	Long, 14"SP	2	7046X	167	62-35-55	62-19-45	310498X
-86	Dia. T	6453	—	2	7301X	—	62-35-41	62-19-22	8086X
-87	—	6853-B	14"2P	1	310034X	133	62-35-36	"	310498X
-88	—	6352	13"2P	2	8019X	130	62-35-37	"	310066X
-89	—	6452	Long, 15"SP	2	7043X	—	62-35-35	62-19-25	"
-90	—	6853-B	—	—	—	125	62-35-36	62-19-22	310498X
-91	—	6453	Spi., 14"2P	2	7521X	6	62-35-33	62-19-22	8090X
-92*	—	6453	Spi., 14"2P	1	310034X	143	"	"	310066X
			*1st Speed Blocked Out						
-93	—	6352	Spi., 14"SP	2	7041X	17	62-35-40	62-19-22	310066X
-94	—	6453	Spi., 14"2P	2	8019X	130	62-35-33	"	310498X
-95	—	6853-B	Spi., 14"2P	2	"	125	62-35-36	"	"
-96	—	6352	Spi., 14"2P	2	7521X	6	62-35-37	62-19-22	8090X
-97	—	6453	—	—	—	—	62-35-32	62-19-41	310494X
-98	—	6852	Spi., 13"2P	1	310034X	130	62-35-36	62-19-22	8090X
-99	—	6352	Rock, 14"SP	2	7046X	167	62-35-48	62-19-24	311705X
-100	—	6453-A	Long, 14"SP	2	"	167	62-35-31	62-19-45	"
-101	—	6452	Long	2	7046X	167	62-35-57	62-19-45	310498X
-102	Ward La France	6453	L-R, ML	2	7043X	177	62-35-31	"	310297X
-103*	—	6453	Long, 15"SP	1	310230X	62	62-35-35	62-19-25	310066X
			*1st Speed Blocked Out						
-104	—	6352	L-R, 15"ML	2	7043X	78	62-35-34	62-19-25	310498X
-105*	—	6453	L-R, 15"ML	2	"	177	62-35-31	62-19-45	310297X
			*1st Speed Blocked Out.						
-106	—	6453	L-R, 15"SP	2	7043X	68	62-35-35	62-19-25	310498X
-107	—	6352	L-R, 15"ML	2	"	69	62-35-34	"	310066X
-108*	—	6453	—	—	—	62	62-35-35	"	"
			*1st Speed Blocked Out						
-109	—	6352	15½"SP	1	7044X	—	62-35-61	62-19-32	310066X
-110	—	6453	Spi., 14"2P	1	310034X	130	62-35-33	62-19-22	310498X
-111	—	6352	Spi., 14"2P	2	8005X	6	62-35-37	62-19-22	8090X
-112	—	6453	Spi., 14"2P	2	"	—	62-35-33	"	"
-113	—	6852	Spi., 14"2P	1	310034X	158	62-35-36	"	310066X
-114	—	6853	Spi., 14"2P	1	"	158	"	"	"
-115	—	6453	Spi., 14"2P	2	8019X	130	62-35-33	"	310498X
-116	Auto car	6452	Spi., 14"2P	2	8019X	—	62-35-33	62-19-22	8086X
-117	—	6853	Spi., 14"2P	2	"	130	62-35-36	"	310498X
-118	Reo	6453-A	Long	2	7046X	168	62-35-57	62-19-45	311705X
-119	Dia. T	6452	Spi., 13"2P	1	310034X	—	62-35-33	62-19-22	8086X
-120	Peter Pirsch	6852	Spi., 13"2P	2	8019X	133	62-35-36	"	310498X

MODEL 6000
TABULATED BILLS of MATERIAL



Tab No.	Rear Brg. Cap Assy's		Speedometer		(-) Brake Ass'y See Footnote	Shifter		
	Cap Bushing and Seal H-2	Cap and Bushing H-3	Drive Gear B-16	Driven Gear H-8	End Yoke or Companion Flange B-17	Housing Assembly Pages 36-39	Lever & Dome Assy. Pages 50-53	Remote Control Pages 40-49

3905 (Con't)

-81	—	310437X	—	—	5-1-3141	8088X	—	8150X
-82	—	7116X	—	—	— (1)	8088X	—	—
-83	—	"	—	—	6-1-2221(2)	"	8091X	—
-84	—	"	—	—	5-1-3151	310181X	—	8150X
-85	—	"	—	—	" (3)	8088X	310430X	—
-86	—	7116X	—	—	—	310181X	—	310054X
-87	—	"	—	—	5-1-3141(2)	8088X	8091X	—
-88	—	"	—	—	6-1-2221	310181X	—	310054X
-89	—	"	62-452-3	—	5-1-3151	310451X	310339X	—
-90	—	"	—	—	5-1-3141(2)	8088X	8091X	—
-91	—	7116X	—	—	— (1)	8088X	—	—
-92	—	"	62-452-3	62-453-5	5-1-3151	—	—	310572X
-93	—	7116X	—	—	5-1-3151	310181X	—	8150X
-94	—	"	—	—	" (2)	8088X	8091X	—
-95	—	"	—	—	6-1-2261(2)	"	"	—
-96	—	7116X	—	—	— (1)	8088X	—	—
-97	—	310157X	—	—	6-1-2401X	"	—	310496X
-98	—	7116X	—	—	5-1-3141	"	310083X	—
-99	—	"	62-452-6	—	5-1-3151(1)	"	310507X	—
-100	—	"	"	—	" (3)	"	310430X	—
-101	—	7116X	—	—	5-1-3141(3)	8088X	310430X	—
-102	—	"	—	—	— (3)	"	310104X	—
-103	—	"	62-452-3	62-453-5	5-1-3141	—	—	—
-104	—	7116X	—	—	5-1-3141	8088X	8091X	—
-105	—	"	—	—	— (3)	310544X	310104X	—
-106	—	7116X	—	—	— (3)	8088X	310104X	—
-107	—	"	—	—	5-1-3151	"	8150X	—
-108	—	"	62-452-3	62-453-5	5-1-3141	—	—	—
-109	—	7116X	62-452-3	—	5-1-3141	8088X	8091X	—
-110	—	"	—	—	— (2)	"	"	—
-111	—	7116X	—	—	— (1)	8088X	—	—
-112	—	"	—	—	— (1)	"	—	—
-113	—	"	—	—	6-1-2251	310181X	—	310054X
-114	—	"	—	—	—	"	—	"
-115	—	"	—	—	6-1-2221(2)	8088X	8091X	—
-116	—	7116X	62-452-2	—	— (1)	8088X	8111X	—
-117	—	"	—	—	6-1-2221(2)	"	8091X	—
-118	—	"	62-452-6	—	5-1-3151(6)	"	"	—
-119	—	"	—	—	— (1)	"	8111X	—
-120	—	"	—	—	5-1-3141(2)	"	8091X	—

- (1) Brake Parts only, See Pages 34-35
- (2) 5400-2X Brake Assembly, See Pages 34-35
- (3) 5400-1X Brake Assembly, See Pages 34-35
- (6) 5400-60X Brake Assembly, See Pages 34-35

Tab No.	Used By	MODEL RATIO	For Use With Clutch	Clutch Housing			Main Drive Gear A-1	Front Bearing Cap F-2	Case Assembly G-1
				S A E	Assembly No. E-2	Rel. Code Pages 58-61			
3905 (Con't)									
-121	—	6852	Spi., 14"2P	2	8019X	133	62-35-36	62-19-22	310498X
-122	—	6452	L-R, 15"DP	2	7046X	71	62-35-49	62-19-25	310066X
-123	—	6853-B	Spi., 14"SP	2	7041X	14	62-35-42	62-19-22	310498X
-124	—	6853-A	Spi., 17"SP	1	310261X	—	62-35-65	62-19-50	8086X
-125	—	6852	Spi., 17"SP	1	"	31	"	"	310066X
-126	—	6452	L-R, 15"ML	2	7043X	177	62-35-31	62-19-45	310641X
-127	Dia. T	6453-A	Spi., 14"2P	2	8019X	—	62-35-33	62-19-22	8086X
-128	—	6852	L-R, 15"SP	2	7043X	176	62-35-50	62-19-25	8090X
-129	—	6853	L-R, 15"DP	1	310230X	31	"	"	310066X
-130	—	6852	Spi., 14"2P	2	8019X	156	62-35-36	62-19-22	310066X
-131	—	6453	Spi., 14"2P	1	310034X	158	62-35-33	62-19-22	310066X
-132	—	6852	Spi., 13"2P	2	8019X	133	62-35-36	"	310498X
-133	—	6852	Spi., 13"2P	1	310034X	133	"	"	"
-134	—	6453-A	Spi., 14"2P	2	8019X	130	62-35-33	"	8090X
-135	—	6452	Spi., 14"2P	2	"	141	"	"	310498X
-136	—	6853	Spi., 14"2P	1	310034X	153	62-35-36	62-19-22	310066X
-137	—	6453	Spi., 14"2P	1	"	158	62-35-33	"	"
-138	Dia. T	6453	Spi., 14"2P	1	"	—	"	"	8086X
-139	—	6453	Spi., 15½"SP	2	7301X	112	62-35-41	"	310498X
-140	—	6453-A	L-R, 14"SP	2	7043X	81	62-35-31	62-19-45	"
-141	—	6352-A	Spi., 14"2P	2	8019X	141	62-35-37	62-19-22	310498X
-142	FWD	6853	—	2	"	212	62-35-36	"	310066X
-143	Southern Coach	6452	—	1	310230X	62	62-35-35	62-19-25	"
-144	—	6452	—	—	—	62	"	"	"
-145	—	6852	Spi., 14"2P	1	310034X	138	62-35-36	62-19-22	8090X
-146	—	6853	L-R, 15"SP	2	7043X	62	62-35-50	62-19-25	310066X
-147	—	6452	L-R, 15"ML	2	"	68	62-35-35	"	310735X
-148	—	6853-B	Spi., 13"2P	2	8019X	133	62-35-36	62-19-22	310498X
-149	Gillig Bros.	6352	L-R, 15"DP	2	7046X	71	62-35-66	62-19-25	310066X
-150	—	6453-A	Long, 15"SP	1	310230X	—	62-35-35	"	"
-151	Seagrave	6453	Spi., 14"2P	1	310034X	142	62-35-33	62-19-22	310498X
-152	—	6352	Spi., 14"2P	2	8019X	141	62-35-37	"	"
-153	Auto car	6352	Spi., 14"2P	2	8005X	6	62-35-37	310729X	8090X
-154	Auto car	6453	Spi., 14"2P	2	"	8	62-35-33	"	311238X
-155	—	6852	—	1	310034X	124	62-35-36	62-19-22	310498X
-156	Maxim	6852	Spi., 14"2P	1	310821X	204	62-35-36	62-19-22	312669X
-157	Dia. T	6852	Spi., 14"2P	1	310034X	—	"	"	8086X
-158	Seagrave	6352	Spi., 14"2P	1	"	142	62-35-37	"	310498X
-159	Seagrave	6853	Spi., 14"2P	2	8019X	141	62-35-36	"	"
-160	—	6853-B	Spi., 14"2P	2	"	125	"	"	"

MODEL 6000 TABULATED BILLS of MATERIAL



Tab No.	Rear Brg. Cap Assy's		Speedometer		(-) Brake Assy See Footnote End Yoke or Companion Flange B-17	Shifter		
	Cap Bushing and Seal H-2	Cap and Bushing H-3	Drive Gear B-16	Driven Gear H-8		Housing Assembly Pages 36-39	Lever & Dome Assy. Pages 50-53	Remote Control Pages 40-49

3905 (Con't)

-121	—	7116X	—	—	6-1-2221(2)	8088X	8091X	—
-122	—	"	—	—	5-1-3151	310181X	—	8150X
-123	—	"	62-452-6	62-453-9	6-1-2221(7)	8088X	8091X	—
-124	—	310157X	—	—	6-1-2801X(1)	310181X	—	310789X
-125	—	7116X	—	—	6-1-2251	"	—	8150X
-126	—	7116X	—	—	— (3)	8088X	310104X	—
-127	—	"	62-452-2	—	— (1)	"	8111X	—
-128	—	"	—	—	—	"	310104X	—
-129	—	"	—	—	5-1-3151	310181X	—	8150X
-130	—	"	—	—	6-1-2221	"	—	310645X
-131	—	7116X	—	—	5-1-3151	310181X	—	310054X
-132	—	"	—	—	5-1-3141(2)	—	8091X	—
-133	—	"	—	—	— (2)	8088X	"	—
-134	—	"	—	—	—	310181X	—	310054X
-135	—	"	—	—	6-1-2251(2)	8088X	310367X	—
-136	—	7116X	—	—	—	310181X	—	310054X
-137	—	"	—	—	5-1-3151	"	—	"
-138	—	"	—	—	— (1)	8088X	8111X	—
-139	—	"	—	—	— (4)	"	310083X	—
-140	—	"	—	—	6-1-2251(3)	"	310104X	—
-141	—	7116X	—	—	— (2)	8088X	310367X	—
-142	—	"	—	—	—	"	8091X	—
-143	—	"	62-452-3	62-453-5	5-1-3141	"	—	310054X
-144	—	"	"	"	"	310181X	—	—
-145	—	"	—	—	" (3)	8088X	310171X	—
-146	—	7116X	—	—	6-1-2221	8088X	310083X	—
-147	—	"	62-452-3	62-453-4	5-1-3141	"	8091X	—
-148	—	"	—	—	— (2)	"	"	—
-149	—	"	—	—	5-1-3151	310181X	—	8150X
-150	—	"	62-452-3	—	"	310451X	310339X	—
-151	—	7116X	—	—	— (4)	8088X	310083X	—
-152	—	"	—	—	6-1-2251(2)	"	310367X	—
-153	—	"	—	—	— (1)	"	—	—
-154	—	"	62-452-7	—	—	"	—	—
-155	—	"	—	—	— (2)	"	8091X	—
-156	—	7116X	—	—	5-1-3141	8088X	310633X	—
-157	—	"	—	—	— (1)	"	8111X	—
-158	—	"	—	—	— (4)	"	310083X	—
-159	—	"	—	—	— (4)	"	"	—
-160	—	"	—	—	5-1-3141(2)	—	8091X	—

- (1) Brake Parts only, See Pages 34-35
 (2) 5400-2X Brake Assembly, See Pages 34-35
 (3) 5400-1X Brake Assembly, See Pages 34-35
 (4) 5400-3X Brake Assembly, See Pages 34-35
 (7) 5400-35X Brake Assembly, See Pages 34-35

Tab No.	Used By	MODEL RATIO	For Use With Clutch	Clutch Housing			Main Drive Gear A-1	Front Bearing Cap F-2	Case Assembly G-1
				S A E	Assembly No. E-2	Rel. Code Pages 58-61			
3905 (Con't)									
-161	—	6853-B	Spi., 14"2P	2	8019X	133	62-35-36	62-19-22	310498X
-162	Fitzjohn	6853-F	Long, 17"SP	1	310753X	38	62-35-72	62-19-64	310066X
-163	—	6852	L-R, 15"ML	2	7043X	72	62-35-50	62-19-25	310498X
-164	—	6352	Spi., 14"SP	1	7045X	14	62-35-40	62-19-22	"
-165	—	6352	—	—	—	—	62-35-34	62-19-25	8090X
-166	—	6352	Spi., 14"2P	2	8019X	124	62-35-37	62-19-22	310066X
-167	Mack	6452	L-R, 15"SP	2	7043X	57	62-35-49	310302X	"
-168	Seagrave	6853	Spi., 14"2P	1	310034X	141	62-35-36	62-19-22	310498X
-169	—	6853	Long 17"SP	1	310261X	185	62-35-65	62-19-50	310066X
-170	—	6452	L-R, 15"SP	2	7043X	68	62-35-49	62-19-25	"
-171	—	6453-A	Spi., 14"2P	1	310034X	149	62-35-33	62-19-22	310498X
-172	—	6352-C	Spi., 14"2P	2	8019X	172	62-35-37	"	310066X
-173	—	6352-B	Spi., 14"2P	2	"	172	"	"	310498X
-174*	Peter Pirsch	6852	Spi., 13"2P	2	"	133	62-35-36	"	"
*1st Speed Blocked Out									
-175	Seagrave	6852	Spi., 13"2P	2	8019X	208	62-35-36	62-19-22	310498X
-176	Kenworth	6852-G	Spi., 14"2P	2	8019X	137	62-35-73	62-19-22	310498X
-177	—	6453-A	Spi., 14"-2P	1	310821X	—	62-35-33	"	8086X
-178	Dia. T	6453-A	Rock	2	7005X	20	62-35-30	62-19-31	"
-179	Geo. F. Failing	6352	Spi., 15½"SP	1	310170X	130	62-35-40	62-19-22	310498X
-180	—	6452	Spi., 14"2P	2	8005X	—	62-35-33	"	"
-181	Madsen	6453	—	—	—	—	62-35-68	62-19-59	62-15-33*
-182	IHC	6453	—	2	102C-474	—	62-35-74	62-19-34	310498X
-183	Oren-Roanoke	6452	L-R, 15"SP	2	7043X	68	62-35-35	62-19-25	"
-184	Dia. T	6453-A	Rock	2	7005X	20	"	62-19-31	8086X
-185	IHC	6352	—	2	102C-474	—	62-35-75	62-19-34	310066X
*62-15-33 See Case Chart Pages									
-186	—	6453	Spi., 14"2P	2	8019X	154	62-35-33	62-19-22	310066X
-187	—	6352-B	Rock, 15"SP	2	7043X	163	62-35-55	62-19-45	311012X
-188	Oren-Roanoke	6453	L-R, 15"SP	2	"	69	62-35-35	62-19-25	310498X
-189	—	6853-A	Spi., 14"2P	2	8019X	125	62-35-36	62-19-22	"
-190	LeTourneau	6453	Rock, 14"2P	2	7043X	68	62-35-35	62-19-31	310066X
-191	IHC	6456-B	Spi., 14"2P	1	310821X	161	62-35-52	62-19-22	8090X
-192	—	6352-A	Spi., 14"2P	2	8019X	151	62-35-37	"	310498X
-193	Kenworth	6452	L-R, 14"2P	1	310034X	136	62-35-33	"	310940X
-194	IHC	6452	—	2	102C-474	—	62-35-74	62-19-34	310498X
-195	Dia. T	6453-A	Spi., 14"2P	2	62-518-9	111	62-35-33	62-19-22	8086X
-196	Seagrave	6453	Spi., 14"2P	2	8019X	142	62-35-33	62-19-22	310066X
-197	Peter Pirsch	6853	Spi., 14"2P	2	"	125	62-35-36	"	310498X
-198	Brookville Loco.	6852	Spi., 14"2P	1	310034X	130	"	"	310066X
-199	IHC	6456-B	Spi., 14"2P	1	62-518-10	111	62-35-52	"	8090X
-200	Peter Pirsch	6853-B	Spi., 14"2P	2	8019X	125	62-35-36	"	310498X

MODEL 6000
TABULATED BILLS of MATERIAL



Tab No.	Rear Brg. Cap Assy's		Speedometer		(-) Brake Ass'y See Footnote	Shifter		
	Cap Bushing and Seal	Cap and Bushing	Drive Gear	Driven Gear	End Yoke or Companion Flange	Housing Assembly Pages	Lever & Dome Assy. Pages	Remote Control Pages
	H-2	H-3	B-16	H-8	B-17	36-39	50-53	40-49

3905 (Con't)

-161	—	7116X	—	—	6-1-2221(2)	—	8091X	—
-162	■62-19-43	—	—	—	6-1-3091X	310181X	—	310789X
-163	—	7116X	—	—	5-1-3141(3)	8088X	310104X	—
-164	—	"	—	—	— (4)	8088X	310083X	—
-165	—	"	—	—	—	"	—	—
■Rear Bearing Cap Used with Oil Seal 62-463-6								
-166	—	7116X	62-452-3	—	5-1-3151	8088X	310104X	—
-167	—	311604X	—	—	5-1-3141	"	310083X	—
-168	—	7116X	—	—	— (4)	"	"	—
-169	—	"	—	—	5-1-3151	310181X	—	310789X
-170	—	"	—	—	5-1-3141	8088X	310083X	—
-171	—	7116X	—	—	6-1-2251(4)	8088X	310083X	—
-172	—	"	—	—	—	"	—	—
-173	—	"	—	—	— (4)	"	310083X	—
-174	—	"	—	—	6-1-2221(2)	"	"	—
-175	—	7116X	—	—	—	8088X	310083X	—
-176	—	7116X	—	—	6-1-2221(4)	8088X	310083X	—
-177	—	"	—	—	— (1)	"	8111X	—
-178	—	"	—	—	— (1)	"	"	—
-179	—	"	—	—	— (4)	"	310083X	—
-180	—	"	—	—	— (3)	"	8091X	—
-181	310210X	310157X	—	—	5-1-278X	—	—	—
-182	—	7116X	62-452-5	—	— (1)	8088X	311200X	—
-183	—	"	62-452-3	62-453-4	5-1-3141(3)	"	310104X	—
-184	—	"	—	—	— (1)	"	8111X	—
-185	—	"	62-452-5	—	—	"	311200X	—
-186	—	7116X	—	—	—	8088X	8091X	—
-187	—	"	—	—	5-1-3141	—	310083X	—
-177	—	"	62-452-3	62-453-4	"	8088X	310104X	—
-189	—	"	—	—	" (2)	"	310083X	—
-190	—	—	—	—	—	"	8091X	—
-191	—	7116X	62-452-3	—	—	8088X	—	—
-192	—	"	—	—	6-1-2221(3)	"	8091X	—
-193	—	"	62-452-2	—	" (1)	"	310093X	—
-194	—	"	62-452-5	—	— (8)	"	311200X	—
-195	—	"	—	—	— (1)	"	8111X	—
-196	—	7116X	—	—	—	8088X	—	—
-197	—	"	—	—	5-1-3141(2)	"	310083X	—
-198	—	"	—	—	6-1-2221	"	8091X	—
-199	—	"	—	—	—	"	—	—
-200	—	"	—	—	6-1-2221(2)	"	310083X	—

- (1) Brake Parts only, See Pages 34-35
- (2) 5400-2X Brake Assembly, See Pages 34-35
- (3) 5400-1X Brake Assembly, See Pages 34-35
- (4) 5400-3X Brake Assembly, See Pages 34-35
- (8) 5400-50X Brake Assembly, See Pages 34-35

Tab No.	Used By	MODEL RATIO	For Use With Clutch	Clutch Housing			Main Drive Gear A-1	Front Bearing Cap F-2	Case Assembly G-1
				S A E	Assembly No. E-2	Rel. Code Pages 58-61			
3905 (Con't)									
-201	Kenworth	6452	L-R, 14"2P	1	310034X	136	62-35-33	62-19-22	310940X
-202	Kenworth	6453	L-R, 14"2P	1	"	136	"	"	"
-203	FWD	6453-A	Spi., 14"2P	2	8019X	154	"	"	310066X
-204	Peter Pirsch	6853	Spi., 14"2P	2	"	125	62-35-36	"	310498X
-205	Napco	6453-A	Spi., 14"2P	2	"	139	62-35-33	"	310735X
-206	Peter Pirsch	6853-B	Spi., 14"2P	2	8019X	125	62-35-36	62-19-22	310066X
-207	Chrysler	6852-B	Rock, 15"SP	2	7043X	—	62-35-55	62-19-45	311788X
-208	Brockway	6452	L-R, 15"SP	2	"	57	62-35-49	62-19-25	310066X
-209	Peter Pirsch	6852	Spi., 14"2P	2	8019X	133	62-35-36	62-19-22	"
-210	—	6852	Spi., 14"2P	2	"	130	"	"	8086X
-211	Seagrave	6453	L-R, 15"SP	1	310971X	172	62-35-35	62-19-25	310066X
-212	Peter Pirsch	6852	Spi., 14"2P	2	8019X	133	62-35-36	62-19-22	"
-213	FWD	6453-A	Spi., 14"2P	2	"	154	62-35-33	"	"
-214	Dia. T	6452	Rock	2	7005X	20	62-35-35	62-19-31	8086X
-215	Dia. T	6452	Rock	2	"	20	62-35-30	"	"
-216	Dia. T	6452	Spi., 14"2P	2	8019X	—	62-35-33	62-19-22	8086X
-217	Dia. T	6453-A	Spi., 14"2P	2	"	—	"	"	"
-218	Dia. T	6453-A	Rock	2	7005X	20	62-35-35	62-19-31	"
-219	Dia. T	6453-A	Spi., 14"2P	2	62-518-9	—	62-35-33	62-19-22	"
-220	Madsen	6453	—	—	—	—	62-35-68	62-19-65	310766X
-221	Peter Pirsch	6853-B	Spi., 14"2P	2	8019X	125	62-35-36	62-19-22	310066X
-222	—	6853	Spi., 14"2P	2	"	125	"	"	"
-223	IHC	6852-J	—	2	102C-474	—	62-35-80	62-19-34	310498X
-224	White	6352	Spi., 14"2P	2	8019X	152	62-35-37	62-19-22	310037X
-225	FWD	6853-A	Spi., 14"2P	1	310821X	154	62-35-36	"	310066X
-226	Seagrave	6452	L-R 15"DP	1	310971X	172	62-35-35	62-19-25	310066X
-227	Kenworth	6852	L-R 14"SP	2	312283X	102	62-35-54	62-19-45	313003X
-228	IHC	6352	—	2	—	—	62-35-112	62-19-34	310066X
-229	—	6452	L-R, 15"DP	2	7046X	73	62-35-49	62-19-25	"
-230	—	6852	Spi., 14"2P	2	8019X	133	62-35-36	62-19-22	310498X
-231	IHC	6852-J	—	2	102C-474	—	62-35-80	62-19-34	310066X
-232	Harnischfeger	6453-A	Spi., 13"2P	1	310034X	130	62-35-33	62-19-22	8086X
-233	White Frltliner	6852	Spi., 14"2P	1	310821X	138	62-35-36	"	310066X
-234	IHC	6852-G	—	2	102C-474	—	62-35-80	62-19-34	"
-235	IHC	6452	—	2	"	—	62-35-111	"	"
-236	FWD	6852	Spi., 14"2P	2	8019X	212	62-35-36	62-19-22	310066X
-237	—	6352	Spi., 14"2P	1	310821X	—	62-35-37	"	"
-238	—	6352-A	Spi., 14"2P	1	8005X	137	"	"	"
-239	—	6352-B	Spi., 14"2P	1	310821X	137	"	"	"
-240	—	6352-C	Spi., 14"2P	1	"	137	"	"	"

MODEL 6000
TABULATED BILLS of MATERIAL



Tab No.	Rear Brg. Cap Assy's		Speedometer		(-) Brake Assy See Footnote	Shifter		
	Cap Bushing and Seal H-2	Cap and Bushing H-3	Drive Gear B-16	Driven Gear H-8	End Yoke or Companion Flange B-17	Housing Assembly Pages 36-39	Lever & Dome Assy. Pages 50-53	Remote Control Pages 40-49

3905 (Con't)

-201	—	7116X	—	—	6-4-2361(9)	8088X	310083X	—
-202	—	"	—	—	" (9)	"	"	—
-203	—	"	—	—	—	"	8091X	—
-204	—	"	—	—	5-1-3151(2)	"	310083X	—
-205	—	"	—	—	6-1-2221	"	311014X	—
-206	—	7116X	—	—	5-1-3141	8088X	310083X	—
-207	—	"	—	—	—	—	—	—
-208	—	"	—	—	6-1-2221	8088X	310083X	—
-209	—	"	—	—	"	"	"	—
-210	310210X	310157X	—	—	6-1-2401X(2)	"	8091X	—
-211	—	7116X	—	—	—	8088X	—	—
-212	—	"	—	—	5-1-3141	"	310083X	—
-213	—	"	62-452-3	62-453-4	—	"	8091X	—
-214	310210X	310157X	—	—	— (1)	"	8111X	—
-215	"	"	—	—	— (1)	"	"	—
-216	310210X	310157X	—	—	— (1)	8088X	8111X	—
-217	"	"	—	—	— (1)	"	"	—
-218	"	"	—	—	— (1)	"	"	—
-219	"	"	—	—	— (1)	"	"	—
-220	—	—	—	—	—	311020X	—	310789X
-221	—	7116X	—	—	6-1-2221	8088X	310083X	—
-222	—	"	—	—	5-1-3141	"	"	—
-223	—	"	62-425-5	—	— (8)	"	311200X	—
-224	—	8144X	62-452-7	—	—	"	311051X	—
-225	—	7116X	62-452-3	62-453-4	—	"	8091X	—
-226	—	7116X	—	—	—	8088X	311055X	—
-227	—	"	—	—	5-1-3141	—	310083X	—
-228	311069X	311604X	62-452-12	—	—	311104X	—	—
-229	—	7116X	62-452-3	62-453-5	5-1-315-1	310181X	8150X	—
-230	—	"	62-452-2	62-452-1	— (2)	8088X	8091X	—
-231	311069X	311604X	62-452-5	—	—	8088X	—	—
-232	310210X	310157X	—	—	— (1)	"	—	—
-233	—	7116X	—	—	6-1-2221	"	—	—
-234	311069X	311604X	62-452-12	—	—	"	311200X	—
-235	"	"	"	—	—	"	"	—
-236	—	7116X	—	—	—	8088X	8091X	—
-237	—	"	—	—	—	"	—	—
-238	—	"	—	—	—	"	—	—
-239	—	"	—	—	—	"	—	—
-240	—	"	—	—	—	"	—	—

- (1) Brake Parts only, See Pages 34-35
- (2) 5400-2X Brake Assembly, See Pages 34-35
- (8) 5400-50X Brake Assembly, See Pages 34-35
- (9) 5400-42X Brake Assembly, See Pages 34-35

Tab No.	Used By	MODEL RATIO	For Use With Clutch	Clutch Housing			Main Drive Gear A-1	Front Bearing Cap F-2	Case Assembly G-1
				S A E	Assembly No. E-2	Rel. Code Pages 58-61			
3905 (Con't)									
-241	White Frliner	6852	Spi., 14"2P	1	310821X	137	62-35-36	62-19-22	310066X
-242	—	6453	Spi., 14"2P	1	"	137	62-35-33	"	"
-243	—	6453-A	Spi., 14"2P	1	"	137	"	"	"
-244	—	6853	Spi., 14"2P	1	"	137	62-35-36	"	"
-245	—	6853-B	Spi., 14"2P	1	"	137	"	"	"
-246	FWD	6453-A	L-R, 15"SP	2	7043X	68	62-35-35	62-19-25	310498X
-247	IHC	6352	—	2	102C-474	—	62-35-75	62-19-34	310066X
-248	IHC	6452	—	2	"	—	62-35-111	"	"
-249	FWD	6852	Spi., 14"2P	2	8019X	154	62-35-36	62-19-22	"
-250	—	6352-A	Rock, 14"TT	2	7043X	62	62-35-55	62-19-45	"
-251	Champion Carr.	6852-G	Spi., 14"2P	2	8019X	130	62-35-73	62-19-22	8086X
-252	—	6852-F	Spi., 14"2P	1	310821X	137	62-35-58	"	8090X
-253	Peter Pirsch	6853-B	Spi., 14"2P	2	8019X	125	62-35-36	"	310066X
-254	Peter Pirsch	6852	Spi., 14"2P	2	"	133	"	"	"
-255	—	6453-A	Spi., 14"2P	1	310821X	130	62-35-33	"	8086X
-256	—	6452	Spi., 14"2P	1	310821X	130	62-35-33	62-19-22	8086X
-257	Madsen	6852	—	—	—	—	62-35-76	62-19-65	310766X
-258	—	6852	Spi., 15½"SP	2	7301X	62	62-35-42	62-19-22	310066X
-259	Mack	6452	L-R, 15"SP	1	310971X	25	62-35-49	310302X	"
-260	Madsen	6852	Spi., 14"2P	2	8019X	130	62-35-36	62-19-22	"
-261	Marrmon-Harrg.	6852	Spi., 17"SP	1	310802X	181	62-35-65	62-19-64	310066X
-262	FWD	6853-A	Spi., 14"2P	2	8019X	154	62-35-36	62-19-22	"
-263	Brockway	6453-A	L-R, 15"SP	1	310971X	25	62-35-49	310302X	"
-264	—	6852	L-R, 13"2P	1	310802X	88	62-35-65	62-19-64	310498X
-265	Ward LaFrance	6453	Spi., 14"2P	2	8019X	151	62-35-33	62-19-22	310297X
-266	IHC	6456-B	Spi., 14"2P	2	310821X	161	62-35-52	62-19-22	8090X
-267	Kenworth	6453-A	Spi., 14"SP	2	7041X	14	62-35-41	"	310940X
-268	Cummins	6453	Spi., 14"SP	2	"	22	"	"	310498X
-269	IHC	6853-C	Spi., 14"2P	1	310821X	198	62-35-83	"	310066X
-270	Gillig Bros.	6352	L-R, 15"SP	2	7046X	74	62-35-66	62-19-25	"
-271	—	6452	Spi., 14"2P	1	310821X	137	62-35-33	62-19-22	310066X
-272	—	6853-C	—	—	—	—	62-35-83	"	"
-273	IHC	6452	—	2	102C-474	—	62-35-74	62-19-34	"
-274	IHC	6352	Rock	2	"	—	62-35-112	"	311487X
-275	Warner Swasey	6852	Spi., 14"2P	2	8019X	128	62-35-36	62-19-22	310498X
-276	IHC	6853-C	Spi., 14"2P	1	310821X	130	62-35-83	62-19-22	310066X
-277	IHC	6452	Spi., 14"2P	2	8019X	—	62-35-33	"	8086X
-278	—	6452	L-R, 15"SP	1	310971X	25	62-35-49	310302X	310066X
-279	IHC	6852-E	Spi., 14"2P	1	310821X	123	62-35-83	62-19-22	"
-280	IHC	6352	Rock	2	102C-474	—	62-35-112	62-19-34	311545X

MODEL 6000
TABULATED BILLS of MATERIAL



Tab No.	Rear Brg. Cap Assy's		Speedometer		(-) Brake Assy See Footnote	Shifter		
	Cap Bushing and Seal H-2	Cap and Bushing H-3	Drive Gear B-16	Driven Gear H-8	End Yoke or Companion Flange B-17	Housing Assembly Pages 36-39	Lever & Dome Assy. Pages 50-53	Remote Control Pages 40-49

3905 (Con't)

-241	—	7116X	—	—	—	8088X	—	—
-242	—	"	—	—	—	"	—	—
-243	—	"	—	—	—	"	—	—
-244	—	"	—	—	—	"	—	—
-245	—	"	—	—	—	"	—	—
-246	—	7116X	62-452-3	62-453-4	5-1-3141(3)	8088X	310104X	—
-247	311069X	311604X	62-452-12	—	—	"	311200X	—
-248	"	"	"	—	—	311104X	—	—
-249	—	7116X	62-452-3	62-453-4	—	8088X	8091X	—
-250	—	"	—	—	—	"	310083X	—
-251	310210X	310157X	—	—	6-1-2401X(2)	8088X	8091X	—
-252	—	7116X	—	—	—	"	—	—
-253	—	"	—	—	5-1-3141	"	310083X	—
-254	—	"	—	—	5-1-3151	"	"	—
-255	310210X	310157X	—	—	(1)	"	—	—
-256	310210X	310157X	—	—	(1)	8088X	—	—
-257	—	—	—	—	—	311020X	—	310789X
-258	—	7116X	—	—	(1)	8088X	—	—
-259	311069X	311604X	—	—	5-1-3141	"	8091X	—
-260	—	7116X	—	—	—	310181X	—	310054X
-261	—	7116X	62-452-9	62-453-8	6-4-2361	310181X	—	310789X
-262	—	"	—	—	—	8088X	8091X	—
-263	311069X	311604X	—	—	5-1-3141	"	310083X	—
-264	—	7116X	—	—	(2)	"	8091X	—
-265	—	"	—	—	(3)	"	310104X	—
-266	—	7116X	—	—	—	8088X	—	—
-267	—	"	—	—	—	"	310083X	—
-268	—	"	62-452-3	62-453-4	5-1-3143(3)	"	310104X	—
-269	—	"	—	—	—	312012X	—	—
-270	—	"	62-452-3	62-453-5	5-1-3151	310181X	—	8150X
-271	—	7116X	—	—	—	8088X	—	—
-272	—	"	—	—	—	"	—	—
-273	311069X	311604X	—	—	—	"	—	—
-274	310210X	310157X	—	—	—	312335X	311200X	—
-275	—	7116X	62-452-3	62-453-4	5-1-3141(3)	8088X	310104X	—
-276	—	7116X	62-452-3	—	—	8088X	—	—
-277	310210X	310157X	62-452-12	—	—	"	—	—
-278	311069X	311604X	—	—	6-1-2221	"	310083X	—
-279	—	7116X	62-452-12	—	—	"	311233X	—
-280	310210X	310157X	—	—	—	311104X	—	—

(1) Brake Parts only, See Pages 34-35
 (2) 5400-2X Brake Assembly, See Pages 34-35
 (3) 5400-1X Brake Assembly, See Pages 34-35

Tab No.	Used By	MODEL RATIO	For Use With Clutch	Clutch Housing			Main Drive Gear A-1	Front Bearing Cap F-2	Case Assembly G-1
				S A E	Assembly No. E-2	Rel. Code Pages 58-61			
3905 (Con't)									
-281	White	6352	Rock, 14"TT	2	7046X	167	62-35-48	62-19-45	8086X
-282	White	6852	Spi., 14"2P	2	8019X	—	62-35-36	62-19-22	311238X
-283	IHC	6853-C	Spi., 14"2P	1	310821X	130	62-35-83	"	310066X
-284	—	6453	Long, 15"SP	1	310230X	—	62-35-35	62-19-25	"
-285	Reo	6352	Rock, 14"SP	2	311258X	167	62-35-55	62-19-55	311705X
-286	IHC	6352	—	—	—	—	62-35-75	62-19-34	8090X
-287	—	6453	L-R, 17"TC	1	310753X	98	62-35-46	62-19-64	310498X
-288	White Freightliner	6853-C	Spi., 14"2P	1	310821X	—	62-35-83	62-19-22	310066X
-289	Kenworth	6852-D	Spi., 14"2P	2	8019X	154	"	"	310498X
-290	Seagrave	6453	L-R, 15"SP	2	310921X	180	62-35-35	62-19-25	310066X
-291	—	6852	L-R, 15"ML	2	310921X	88	62-35-50	62-19-25	310498X
-292	—	6352	Rock	2	7005X	20	62-35-34	62-19-31	8086X
-293	IHC	6853-C	Spi., 14"2P	1	310821X	123	62-35-83	62-19-22	"
-294	Warner-Swasey	6852	L-R, 15"ML	2	7043X	59	62-35-50	62-19-25	310498X
-295	Maxim	6852-N	Spi., 14"2P	1	310821X	138	62-35-83	62-19-22	8086X
-296	Reo	6452	Spi., 14"2P	2	62-518-9	111	62-35-33	62-19-22	8086X
-297	Kenworth	6852-D	Spi., 14"2P	2	8019X	154	62-35-83	"	310498X
-298	Amr. Marine	6352-A	Spi., 14"2P	1	310821X	130	62-35-37	"	"
-299	—	6452	Spi., 14"2P	2	8019X	130	62-35-33	"	"
-300	IHC	6853-C	Spi., 14"2P	1	310821X	130	62-35-83	"	310066X
-301	Kinoshita-Japan	6853-A	Spi., 14"2P	1	310821X	140	62-35-36	62-19-22	310498X
-302	Reo	6452-A	Long, 14"SP	2	311258X	167	62-35-31	62-19-45	311705X
-303	Pierre Thibault	6453	L-R, 15"SP	2	7043X	68	62-35-35	62-19-25	311498X
-304	IHC	6852-E	Spi., 14"2P	1	310821X	123	62-35-83	62-19-22	310066X
-305	Reo	6853-C	Spi., 14"2P	2	8019X	—	"	"	8086X
-306	White	6852	Spi., 14"2P	2	8019X	—	62-35-36	62-19-22	311238X
-307	Peterbilt	6853-A	Spi., 14"2P	2	"	130	"	"	310498X
-308	Reo	6853	Spi., 14"2P	2	"	—	"	"	310066X
-309	IHC	6452	Spi., 14"2P	2	"	—	62-35-33	"	8086X
-310	Skytop Rig	6352-B	Spi., 13"2P	3	7969X	3	62-35-37	"	310066X
-311	Cummins	6352-A	Spi., 14"2P	2	8019X	198	62-35-37	62-19-22	310498X
-312	Maxim	6853-B	Spi., 14"2P	2	"	138	62-35-36	"	310066X
-313	—	6853-C	Spi., 14"2P	2	"	—	62-35-83	"	311238X
-314	Reo	6853-C	Spi., 14"2P	2	"	—	"	"	8086X
-315	Reo	6452-A	Rock, 14"SP	2	311258X	167	62-35-31	62-19-45	"
-316	Reo	6352	Long, 14"SP	2	311258X	167	62-35-55	62-19-45	8086X
-317	—	6453	Spi., 14"2P	1	310821X	130	62-35-33	62-19-22	311448X
-318	Cummins	6352	Rock, 15"SP	2	310921X	88	62-35-55	62-19-45	310498X
-319	Kenworth	6352	Spi., 14"2P	2	8019X	154	62-35-37	62-19-22	310297X
-320	—	6452	Spi., 14"2P	2	62-518-9	11	62-35-33	"	8086X

MODEL 6000
TABULATED BILLS of MATERIAL



Tab No.	Rear Brg. Cap Assy's		Speedometer		(-) Brake Ass'y See Footnote	Shifter		
	Cap Bushing and Seal	Cap and Bushing	Drive Gear	Driven Gear	End Yoke or Companion Flange	Housing Assembly Pages	Lever & Dome Assy. Pages	Remote Control Pages
	H-2	H-3	B-16	H-8	B-17	36-39	50-53	40-49

3905 (Con't)

-281	310210X	310157X	62-452-6	—	5-1-278X(1)	8088X	310430X	—
-282	—	7116X	62-452-7	—	—	"	311242X	—
-283	—	"	—	—	—	312210X	—	—
-284	—	"	62-452-3	—	5-1-3151	310451X	310339X	—
-285	—	"	62-452-6	—	" (3)	8088X	310430X	—
-286	—	7116X	—	—	—	8088X	—	—
-287	—	"	62-452-3	—	— (2)	"	310104X	—
-288	—	"	—	—	—	"	—	—
-289	—	"	—	—	5-1-3141(4)	"	310083X	—
-290	—	"	—	—	—	"	311055X	—
-291	—	7116X	—	—	— (3)	8088X	310104X	—
-292	310210X	310157X	—	—	— (1)	"	—	—
-293	"	"	62-452-12	—	— (1)	"	—	—
-294	—	7116X	62-452-3	62-453-4	5-1-3141(3)	"	310083X	—
-295	310210X	310157X	62-452-12	—	5-1-278X(1)	"	310633X	—
-296	—	7116X	—	—	— (1)	8088X	8111X	—
-297	—	"	—	—	6-1-2221(1)	"	310083X	—
-298	—	"	—	—	" (3)	"	8091X	—
-299	—	"	—	—	— (3)	"	—	—
-300	—	"	62-452-3	—	—	312210X	—	—
-301	—	7116X	—	—	5-4-1661(2)	8088X	8091X	—
-302	—	"	62-452-6	—	5-1-3151(3)	"	310430X	—
-303	—	"	62-452-3	62-453-5	5-1-3141(3)	"	310104X	—
-304	—	"	—	—	—	"	—	—
-305	—	"	—	—	— (1)	"	8111X	—
-306	—	7116X	62-452-7	—	—	8088X	—	—
-307	—	"	—	—	6-4-2361(1)	"	8091X	—
-308	—	"	—	—	—	"	—	—
-309	—	"	62-452-12	—	— (1)	"	8111X	—
-310	—	"	—	—	4-1-3781	"	8091X	—
-311	—	7116X	—	—	—	8088X	310104X	—
-312	—	"	—	—	5-1-3141	"	311430X	—
-313	—	"	62-452-7	—	—	"	—	—
-314	—	"	—	—	— (1)	"	—	—
-315	310210X	310157X	62-452-6	—	— (1)	"	—	310789X
-316	310210X	310157X	62-452-6	—	— (1)	8088X	—	310789X
-317	—	7116X	—	—	—	"	8091X	—
-318	—	"	—	—	— (3)	"	310104X	—
-319	—	"	62-452-3	62-453-4	6-1-2251(1)	"	310083X	—
-320	310210X	310157X	—	—	— (1)	"	8111X	—

- (1) Brake Parts only, See Pages 34-35
- (2) 5400-2X Brake Assembly, See Pages 34-35
- (3) 5400-1X Brake Assembly, See Pages 34-35

Tab No.	Used By	MODEL RATIO	For Use With Clutch	Clutch Housing			Main Drive Gear A-1	Front Bearing Cap F-2	Case Assembly G-1
				S A E	Assembly No. E-2	Rel. Code Pages 58-61			
3905 (Con't)									
-321	IHC	6352-B	—	2	102C-474	—	62-35-75	62-19-34	310066X
-322	Peter Pirsch	6853-B	Spi., 14"2P	2	8019X	125	62-35-36	62-19-22	"
-323	IHC	6452	—	—	—	—	62-35-74	62-19-41	"
-324	Kenworth	6453-A	Spi., 14"2P	1	310821X	137	62-35-33	62-19-22	310940X
-325	Maxim	6852	Spi., 14"2P	1	"	204	62-35-36	"	311487X
-326	IHC	6453-A	—	2	102C-474	—	62-35-74	62-19-34	310066X
-327	Skytop Rig	6352-A	Spi., 14"2P	2	8019X	198	62-35-37	62-19-22	"
-328	IHC	6852-G	—	2	102C-474	200	62-35-113	62-19-34	311545X
-329	—	6852	Spi., 14"2P	2	8019X	142	62-35-36	62-19-22	310066X
-330	—	6853-A	Spi., 14"2P	1	310821X	137	"	"	310498X
-331	Reo	6852-A	Spi., 14"2P	2	8019X	—	62-35-36	62-19-22	8086X
-332	Kenworth	6853	Spi., 14"2P	2	"	137	"	"	310940X
-333	Reo	6852-K	Spi., 14"2P	2	"	—	62-35-73	"	8086X
-334	Peter Pirsch	6852-B	Spi., 14"2P	2	"	196	62-35-36	"	310066X
-335	Reo	6853-C	Spi., 14"2P	2	"	—	62-35-83	"	8086X
-336	IHC	6853-C	Spi., 14"2P	1	310821X	123	62-35-83	62-19-22	310066X
-337	—	6352	Spi., 14"2P	2	8019X	198	62-35-37	"	"
-338	Peter Pirsch	6853-B	Spi., 14"2P	2	"	125	62-35-36	"	310498X
-339	IHC	6452	Rock, 14"TT	2	102C-474	—	62-35-74	62-19-34	311667X
-340	—	6852	Spi., 14"2P	1	310821X	138	62-35-36	62-19-22	8090X
-341	—	6853-B	Spi., 14"2P	2	8019X	125	62-35-36	62-19-22	310066X
-342	IHC	6352	Rock	2	"	—	62-35-75	62-19-34	310498X
-343	Auto car	6452	Spi., 14"2P	2	"	213	62-35-33	310729X	311238X
-344	—	6352	L-R, 15"DP	2	7046X	72	62-35-66	62-19-25	310066X
-345	Reo	6453-A	Spi., 14"2P	1	8019X	—	62-35-33	62-19-22	"
-346	Cardwell	6352	Spi., 14"SP	2	310099X	14	62-35-40	62-19-22	310066X
-347	Kenworth	6852-C	L-R, 14"SP	2	310921X	97	62-35-50	62-19-25	311629X
-348	Reo	6453-A	Rock	2	7006X	20	62-35-35	62-19-31	310066X
-349	Maxim	6853-B	Spi., 14"2P	1	310821X	204	62-35-36	62-19-22	312670X
-350	Reo	6852-K	Long, 13"2P	2	311258X	—	62-35-77	62-19-45	310066X
-351	IHC	6852-C	—	2	102C-474	—	62-35-87	62-19-34	310066X
-352	IHC	6452	Spi., 14"2P	1	62-518-6	—	62-35-33	62-19-22	"
-353	Kenworth	6452	L-R, 14"2P	1	310802X	171	62-35-81	62-19-64	310735X
-354	IHC	6852-K	14"2P	1	310821X	130	62-35-73	62-19-22	310066X
-355	IHC	6853-C	Rock, 14"TT	2	102C-474	—	62-35-88	62-19-34	8086X
-356	Rockwell	6352-B	Spi., 14"2P	1	310821X	143	62-35-37	62-19-22	310066X
-357	—	6452-A	Long, 14"SP	2	311258X	—	62-35-31	62-19-45	"
-358	Reo	6852-G	Long, 13"2P	2	"	—	62-35-77	"	311448X
-359	—	6352	L-B, 14"DPB	2	310921X	99	62-35-55	"	311667X
-360	Sicard	6352	Rock, 15"SP	2	"	101	62-35-66	62-19-25	310066X

MODEL 6000
TABULATED BILLS of MATERIAL



Tab No.	Rear Brg. Cap Assy's		Speedometer		(-) Brake Assy See Footnote	Shifter		
	Cap Bushing and Seal	Cap and Bushing	Drive Gear	Driven Gear	End Yoke or Companion Flange	Housing Assembly Pages	Lever & Dome Assy. Pages	Remote Control Pages
	H-2	H-3	B-16	H-8	B-17	36-39	50-53	40-49

3905 (Con't)

-321	311069X	311604X	62-452-12	—	—	8088X	311200X	—
-322	—	7116X	—	—	5-1-3191	"	310083X	—
-323	311069X	311604X	—	—	—	"	—	—
-324	—	7116X	62-452-3	62-453-4	6-4-2361(1)	"	—	—
-325	310210X	310157X	62-452-12	—	—	"	310633X	—
-326	311069X	311604X	62-452-12	—	—	311104X	—	—
-327	—	7116X	—	—	4-1-3781	8088X	8091X	—
-328	310210X	310157X	62-452-12	—	—	311104X	—	—
-329	311069X	311604X	—	—	5-1-3141	8088X	310083X	—
-330	—	7116X	—	—	" (1)	"	"	—
-331	—	7116X	—	—	— (1)	8088X	8111X	—
-332	—	"	62-452-3	62-453-4	6-1-2221(4)	"	310083X	—
-333	—	"	—	—	— (1)	"	8111X	—
-334	311069X	311604X	—	—	5-1-3141	"	310083X	—
-335	310210X	310157X	—	—	— (1)	"	—	—
-336	—	7116X	62-452-12	—	—	8088X	—	—
-337	—	"	62-452-3	62-453-4	6-1-2221	"	8091X	—
-338	311069X	311604X	—	—	5-1-3141(2)	"	310083X	—
-339	310210X	310157X	62-452-12	—	— (1)	"	311200X	—
-340	—	7116X	—	—	6-1-2251(1)	"	310633X	—
-341	311069X	311604X	—	—	6-1-2221	8088X	310083X	—
-342	—	7116X	62-452-5	—	— (1)	311020X	311200X	—
-343	—	"	62-452-7	—	—	8088X	—	—
-344	—	"	—	—	5-1-3141	"	—	8150X
-345	—	"	—	—	—	"	8091X	—
-346	—	—	—	—	—	—	—	—
-347	—	7116X	—	—	5-1-3141(4)	8088X	311741X	—
-348	—	"	—	—	—	"	—	—
-349	310210X	310157X	—	—	5-1-278X	"	310633X	—
-350	—	7116X	—	—	— (1)	"	—	—
-351	311069X	311604X	—	—	—	8088X	—	—
-352	"	"	—	—	—	—	—	—
-353	—	7116X	62-452-3	62-453-4	6-1-2261	8088X	310083X	—
-354	—	"	—	—	—	312210X	—	—
-355	310210X	310157X	62-452-12	—	— (1)	311104X	—	—
-356	—	7116X	—	—	—	8088X	—	—
-357	—	"	—	—	—	"	—	—
-358	—	"	—	—	—	"	—	—
-359	310210X	310157X	—	—	5-1-278X(2)	"	8091X	—
-360	—	7116X	—	—	5-4-1661	"	"	—

(1) Brake Parts only, See Pages 34-35
 (2) 5400-2X Brake Assembly, See Pages 34-35
 (4) 5400-3X Brake Assembly, See Pages 34-35

Tab No.	Used By	MODEL RATIO	For Use With Clutch	Clutch Housing			Main Drive Gear A-1	Front Bearing Cap F-2	Case Assembly G-1
				S A E	Assembly No. E-2	Rel. Code Pages 58-61			
3905 (Con't)									
-361	—	6453-A	Spi., 14"2P	1	310821X	135	62-35-33	62-19-22	310066X
-362	—	6853-A	Spi., 14"2P	1	310034X	—	62-35-36	"	8086X
-363	—	6853-B	Spi., 14"2P	1	310821X	138	"	"	8090X
-364	—	6352	Rock	2	102C-474	—	62-35-75	62-19-34	311681X
-365	IHC	6852-G	Spi., 14"2P	1	310821X	112	62-35-73	62-19-22	310066X
-366	Rockwell	6852-F	L-R, 2P	2	310475X	—	62-35-60	—	311848X
-367	IHC	6352-F	Rock	2	102C-474	—	62-35-75	62-19-34	310066X
-368	Kinoshita-Japan	6853-A	Spi., 15½"SP	1	311689X	116	62-35-42	62-19-22	310498X
-369	—	6853-B	Spi., 14"2P	1	310821X	117	62-35-36	"	311448X
-370	IHC	6852-G	Rock	2	102C-474	—	62-35-113	62-19-34	310066X
-371	IHC	6852-J	—	2	102C-474	—	62-35-80	62-19-34	311545X
-372	—	6853	Spi., 14"2P	1	310821X	117	62-35-36	62-19-22	8086X
-373	IHC	6453-A	Rock	2	102C-474	—	62-35-74	62-19-34	311487X
-374	IHC	6853-C	Spi., 14"2P	1	310821X	112	62-35-83	62-19-22	310066X
-375	—	6453	L-R, 15"SP	2	310921X	100	62-35-31	62-19-45	310641X
-376	—	6853-J	Spi., 15½"SP	1	311689X	205	62-35-42	62-19-22	311667X
-377	—	6853	Spi., 14"2P	2	8019X	140	62-35-36	"	"
-378	—	6853-C	Spi., 14"2P	1	310921X	130	62-35-83	"	310066X
-379	IHC	6852-G	—	2	102C-474	—	62-35-80	62-19-34	311487X
-380	IHC	6852-K	Spi., 14"2P	1	310821X	123	62-35-73	62-19-22	310066X
-381	IHC	6352	Spi., 14"2P	1	8140X	—	62-35-37	62-19-22	311545X
-382	—	6852	L-R, 15"DP	2	310921X	87	62-35-50	62-19-25	310066X
-383	Chrysler	6452-A	Rock, 15"SP	2	7043X	—	62-35-31	62-19-45	311012X
-384	IHC	6452	—	2	102C-474	—	62-35-111	62-19-34	311545X
-385	—	6352	—	1	310802X	95	62-35-86	62-19-64	310066X
-386	IHC	6853-C	—	—	—	—	62-35-83	62-19-22	311765X
-387	—	6853-B	—	2	8019X	198	62-35-36	"	310066X
-388	—	6352	—	—	—	—	62-35-112	62-19-34	311765X
-389	IHC	6352	—	—	—	—	62-35-37	62-19-22	"
-390	IHC	6452	—	—	—	—	62-35-111	62-19-34	"
-391	—	6452	—	—	—	—	62-35-33	62-19-22	311765X
-392	IHC	6853-C	—	2	8019X	—	62-35-83	"	310066X
-393	IHC	6852-K	Rock, 14"TT	2	102C-474	—	62-35-80	62-19-34	311545X
-394	IHC	6853-C	Spi., 14"2P	2	8019X	130	62-35-83	62-19-22	310066X
-395	IHC	6853-C	—	2	"	—	"	"	"
-396	IHC	6852-E	—	2	8019X	195	62-35-83	62-19-22	310066X
-397	—	6853	Spi., 15½"SP	2	7301X	120	62-35-42	"	311667X
-398	—	6853-J	Spi., 15½"SP	2	"	120	"	"	"
-399	IHC	6853-C	Spi., 14"2P	1	310821X	130	62-35-83	"	310066X
-400	—	6452-A	Long, 14"SP	2	311258X	167	62-35-31	62-19-45	311765X

MODEL 6000
TABULATED BILLS of MATERIAL



Tab No.	Rear Brg. Cap Assy's		Speedometer		(-) Brake Ass'y See Footnote	Shifter		
	Cap Bushing and Seal	Cap and Bushing	Drive Gear	Driven Gear	End Yoke or Companion Flange	Housing Assembly Pages	Lever & Dome Assy. Pages	Remote Control Pages
	H-2	H-3	B-16	H-8	B-17	36-39	50-53	40-49

3905 (Con't)

-361	—	7116X	—	—	—	8088X	—	—
-362	—	"	—	—	(1)	"	8111X	—
-363	—	"	—	—	6-1-2221(1)	"	310633X	—
-364	310210X	310157X	62-452-12	—	(1)	"	311200X	—
-365	—	7116X	—	—	"	—	—	—
-366	310210X	310157X	62-452-9	62-453-8	6-1-2801X	310477X	—	—
-367	—	7116X	62-452-5	—	—	8088X	311200X	—
-368	—	"	—	—	5-4-1661(2)	"	8091X	—
-369	—	"	—	—	5-1-3141	"	310633X	—
-370	311069X	311604X	62-452-12	—	—	311104X	—	—
-371	310210X	310157X	62-452-12	—	—	311104X	—	—
-372	"	"	—	—	5-1-2401X(1)	8088X	310633X	—
-373	"	"	62-452-12	—	(1)	"	—	—
-374	—	7116X	—	—	—	"	311704X	—
-375	—	"	—	—	—	"	310104X	—
-376	310210X	310157X	62-452-3	62-453-5	6-1-2801X(16)	8088X	—	—
-377	"	"	—	—	(2)	"	8091X	—
-378	—	7116X	—	—	—	"	—	—
-379	310210X	310157X	62-452-12	—	(1)	"	311200X	—
-380	—	7116X	—	—	—	"	—	—
-381	310210X	310157X	62-452-12	—	—	311104X	—	—
-382	—	7116X	62-452-6	62-453-9	5-1-3151	—	—	—
-383	—	7116X	—	—	—	—	—	—
-384	310210X	310157X	62-452-12	—	—	311104X	—	—
-385	—	7116X	—	—	—	8088X	8091X	—
-386	311069X	311604X	—	—	—	—	—	—
-387	—	7116X	—	—	4-1-3781	8088X	8091X	—
-388	311069X	311604X	—	—	—	—	—	—
-389	"	"	—	—	—	—	—	—
-390	"	"	—	—	—	—	—	—
-391	311069X	311604X	—	—	—	—	—	—
-392	—	7116X	—	—	—	8088X	—	—
-393	310210X	310157X	62-452-12	—	—	311104X	—	—
-394	—	7116X	"	—	—	8088X	311704-1X	—
-395	—	"	—	—	—	"	311704X	—
-396	—	7116X	62-452-12	—	—	8088X	311233X	—
-397	310210X	310157X	62-452-3	62-453-5	6-1-2801X(16)	"	8091X	—
-398	"	"	"	"	(2)	"	"	—
-399	—	7116X	—	—	—	"	—	—
-400	—	"	62-452-6	—	5-1-3151	"	311430X	—

(1) Brake Parts only, See Pages 34-35

(2) 5400-2X Brake Assembly, See Pages 34-35

(16) 5400-2X and (311712 Bendix Brake furnished as an Assembly only). See Pages 34-35

Tab No.	Used By	MODEL RATIO	For Use With Clutch	Clutch Housing			Main Drive Gear A-1	Front Bearing Cap F-2	Case Assembly G-1
				S A E	Assembly No. E-2	Rel. Code Pages 58-61			
3905 (Con't)									
-401	IHC	6853-C	—	1	310821X	198	62-35-83	62-19-22	310066X
-402	—	6352-B	Spi., 14"2P	2	8019X	130	62-35-37	"	311629X
-403	IHC	6453-A	—	2	102C-474	—	62-35-74	62-19-34	311487X
-404	—	6352-B	Spi., 14"2P	1	310821X	129	62-35-37	62-19-22	311788X
-405	IHC	6853-C	Spi., 14"2P	1	"	112	62-35-83	"	311850X
-406	—	6452	L-R, 15"SP	1	310971X	25	62-35-49	310302X	8086X
-407	—	6453	Spi., 14"2P	2	8019X	142	62-35-33	62-19-22	310066X
-408	IHC	6853-C	—	2	"	—	62-35-83	"	"
-409	—	6453	Spi., 14"2P	2	"	142	62-35-33	"	310498X
-410	—	6452	L-R, 15"SP	1	310971X	115	62-35-49	310302X	311681X
-411	—	6452	Spi., 14"2P	1	310034X	137	62-35-33	62-19-22	310735X
-412	—	6852-F	—	2	8019X	201	62-35-58	"	310066X
-413	—	6453-A	Spi., 13"2P	2	"	117	62-35-33	"	310498X
-414	—	6452	Spi., 14"2P	2	"	137	"	"	310735X
-415	—	6853	Spi., 14"2P	2	"	133	62-35-36	"	"
-416	—	6352	Spi., 14"2P	2	8019X	137	62-35-37	62-19-22	310735X
-417	IHC	6853-C	—	1	310821X	198	62-35-83	"	310066X
-418	IHC	6852-K	Spi., 14"2P	1	"	130	62-35-73	"	"
-419	IHC	6852-G	Rock, 14"TT	2	102C-474	—	62-35-80	62-19-34	"
-420	—	6853	Spi., 14"2P	1	310821X	138	62-35-36	62-19-22	8090X
-421	IHC	6852-K	Spi., 14"2P	2	8019X	159	62-35-73	62-19-22	310066X
-422	—	6853-B	Spi., 14"2P	2	"	154	62-35-36	"	"
-423	IHC	6853-G	14"or 15"	1	310821X	—	62-35-73	"	"
-424	IHC	6852-J	—	2	102C-474	—	62-35-80	62-19-34	311487X
-425	—	6853-A	Spi., 14"2P	2	8019X	140	62-35-36	62-19-22	310498X
-426	—	6853-A	L-R, 15"SP	2	310921X	88	62-35-50	62-19-25	310066X
-427	—	6352-A	—	2	"	—	62-35-55	62-19-45	"
-428	—	6352-A	—	—	—	—	62-35-40	62-19-22	311681X
-429	—	6453	L-R, 15"SP	2	7043X	68	62-35-35	62-19-25	310498X
-430	—	6352	L-R, 14"DPB	2	310921X	92	62-35-55	62-19-45	8090X
-431	—	6853-C	Spi., 14"2P	2	8019X	130	62-35-83	62-19-22	310066X
-432	—	6352-B	Spi., 14"2P	2	"	130	62-35-37	"	310498X
-433	IHC	6352	—	2	102C-474	—	62-35-112	62-19-34	310066X
-434	IHC	6352-B	—	2	"	—	62-35-75	"	311487X
-435	—	6852	Long, 17"SP	1	310802X	24	62-35-65	62-19-50	310066X
-436	IHC	6852-C	—	2	8019X	—	62-35-36	62-19-22	310066X
-437	IHC	6852-C	Spi., 14"2P	2	"	—	"	"	"
-438	—	6852-C	Spi., 14"2P	2	"	130	"	"	311667X
-439	IHC	6852-C	—	1	310821X	—	"	"	310066X
-440	—	6352	Spi., 14"2P	1	"	137	62-35-37	"	310735X

T210-6000

MODEL 6000 TABULATED BILLS of MATERIAL

Spicer®

Tab No.	Rear Brg. Cap Assy's		Speedometer		(-) Brake Ass'y See Footnote	Shifter		
	Cap Bushing and Seal	Cap and Bushing	Drive Gear	Driven Gear		Housing Assembly Pages 36-39	Lever & Dome Assy. Pages 50-53	Remote Control Pages 40-49
	H-2	H-3	B-16	H-8	End Yoke or Companion Flange B-17			

3905 (Con't)

-401	—	7116X	62-452-12	—	—	312210X	311704-2X	—
-402	—	"	—	—	(4)	8088X	310083X	—
-403	310210X	310157X	62-452-12	—	(1)	311104X	—	—
-404	—	7116X	—	—	—	—	—	—
-405	310210X	310157X	—	—	—	8088X	—	—
-406	310210X	310157X	62-452-3	62-452-7	5-1-278X(14)	8088X	8091X	—
-407	—	7116X	—	—	—	"	—	—
-408	—	"	—	—	—	"	311704-1X	—
-409	—	"	62-452-3	62-453-4	5-1-3141(3)	"	310104X	—
-410	310210X	310157X	62-452-3	62-453-7	5-1-278X(1)	"	8091X	—
-411	—	7116X	62-452-3	62-453-4	—	8088X	310083X	—
-412	—	"	—	—	—	"	8091X	—
-413	—	"	—	—	5-1-3141(2)	"	"	—
-414	—	"	62-452-3	62-453-4	6-4-2361	"	310083X	—
-415	311069X	311604X	—	—	5-1-3141	"	"	—
-416	—	7116X	62-452-3	62-453-4	6-4-2361	8088X	310083X	—
-417	—	"	—	—	—	"	311704-2X	—
-418	—	"	—	—	—	"	—	—
-419	311069X	311604X	62-452-12	—	—	"	311921X	—
-420	—	7116X	—	—	6-1-2221	"	310633X	—
-421	—	7116X	62-452-12	—	—	8088X	311233X	—
-422	—	"	—	—	—	"	310104X	—
-423	—	"	—	—	—	312210X	—	—
-424	310210X	310157X	62-452-12	—	(1)	8088X	311200X	—
-425	311069X	311604X	—	—	5-4-1661(2)	"	8091X	—
-426	—	7116X	—	—	—	8088X	310083X	—
-427	—	"	—	—	—	"	—	—
-428	310210X	310157X	—	—	5-1-278X(1)	"	8091X	—
-429	—	7116X	62-452-3	62-453-4	5-1-3141	"	—	—
-430	—	"	—	—	" (2)	"	8091X	—
-431	—	7116X	—	—	6-1-2221	8088X	310083X	—
-432	—	"	—	—	—	(3)	310104X	—
-433	311069X	311604X	62-452-12	—	—	"	311704-4X	—
-434	310210X	310157X	"	—	—	(1)	311200X	—
-435	—	7116X	62-452-3	62-453-5	6-1-2251	"	—	—
-436	—	7116X	—	—	—	8088X	—	—
-437	—	"	—	—	6-1-2401X	"	311704X	—
-438	310210X	310157X	—	—	—	(3)	310104X	—
-439	—	7116X	—	—	—	"	—	—
-440	—	"	62-452-3	62-453-4	6-1-2221	"	310083X	—

- (1) Brake Parts only, See Pages 34-35
 (2) 5400-2X Brake Assembly, See Pages 34-35
 (3) 5400-1X Brake Assembly, See Pages 34-35
 (4) 5400-3X Brake Assembly, See Pages 34-35

Tab No.	Used By	MODEL RATIO	For Use With Clutch	Clutch Housing			Main Drive Gear A-1	Front Bearing Cap F-2	Case Assembly G-1
				S A E	Assembly No. E-2	Rel. Code Pages 58-61			
3905 (Con't)									
-441	—	6452	—	2	310921X	100	62-35-31	62-19-45	310641X
-442	—	6453	L-R, 14"2P	2	311939X	62	62-35-81	62-19-64	310498X
-443	—	6352	Spi., 14"2P	2	8019X	137	62-35-37	62-19-22	310735X
-444	—	6352	—	2	"	—	"	"	310066X
-445	—	6453	15"SP	2	310921X	180	62-35-35	62-19-25	310498X
-446	—	6852-J	Spi., 14"2P	1	310821X	130	62-35-73	62-19-22	310066X
-447	—	6852	Spi., 14"2P	2	8019X	140	62-35-36	"	"
-448	IHC	6352-B	—	2	102C-474	—	62-35-75	62-19-34	"
-449	IHC	6852-D	—	1	310821X	—	62-35-83	62-19-22	"
-450	—	6452-B	Spi., 14"2P	2	8019X	137	62-35-33	"	310735X
-451	—	6853-B	L-R, 15"SP	2	7043X	98	62-35-50	62-19-25	310066X
-452	—	6453	—	2	"	98	62-35-35	"	"
-453	IHC	6352	—	2	102C-474	—	62-35-99	62-19-34	"
-454	—	6452	Spi., 14"2P	2	8019X	157	62-35-33	310729X	312166X
-455	—	6452	L-R	2	7043X	47	62-35-35	62-19-25	310066X
-456	IHC	6852-K	Spi., 14"2P	2	310821X	159	62-35-73	62-19-22	310066X
-457	—	6853-B	Spi., 14"2P	2	8019X	142	62-35-36	"	"
-458	—	6852	L-R, 15"SP	2	310921X	93	62-35-50	62-19-25	8090X
-459	—	6853-A	Spi., 14"2P	2	8019X	142	62-35-36	62-19-22	310066X
-460	IHC	6352-B	—	2	102C-474	—	62-35-75	62-19-34	"
-461	—	6853-C	Spi., 14"2P	2	8019X	142	62-35-83	62-19-22	310066X
-462	—	6453-A	Spi., 14"2P	2	"	157	62-35-33	310729X	311238X
-463	—	6453-A	L-R, 15"SP	1	310971X	25	62-35-49	310302X	310066X
-464	—	6853-A	—	1	310753X	100	62-35-65	62-19-64	310498X
-465	—	6352	—	2	310921X	95	62-35-55	62-19-45	310066X
-466	IHC	6452	—	2	102C-474	—	62-35-111	62-19-34	310066X
-467	—	6453-A	—	1	310821X	201	62-35-33	62-19-22	"
-468	IHC	6852-K	—	2	102C-474	—	62-35-80	62-19-34	"
-469	—	6352-A	—	2	310921X	90	62-35-34	62-19-25	"
-470	IHC	6852-K	—	2	102C-474	—	62-35-113	62-19-34	"
-471	—	6452-E	—	2	310921X	100	62-35-31	62-19-45	310641X
-472	—	6852-K	—	1	310821X	214	62-35-73	62-19-22	310066X
-473	IHC	6352-B	—	2	102C-474	—	62-35-75	62-19-34	311487X
-474	—	6352-B	Spi., 14"2P	2	8019X	142	62-35-37	62-19-22	310066X
-475	IHC	6452	—	2	102C-474	—	62-35-111	62-19-34	311487X
-476	IHC	6453-A	—	2	102C-474	—	62-35-111	62-19-34	310066X
-477	—	6352-B	—	2	8019X	213	62-35-37	310729X	312166X
-478	—	6352	—	2	310921X	88	62-35-66	62-19-25	310066X
-479	IHC	6853-C	—	1	310814X	—	62-35-83	62-19-22	"
-480	—	6852-D	—	2	8019X	198	"	"	"
-481	—	6352	—	2	310921X	99	62-35-34	62-19-25	310066X
-482	—	6453-A	—	2	"	180	62-35-35	"	"
-483	—	6452	L-R, 15"DP	2	"	180	"	"	"
-484	—	6853-B	—	2	"	180	62-35-50	"	"
-485	IHC	6852-G	—	1	310821X	—	62-35-73	62-19-22	"
-486	—	6452-B	—	2	310921X	90	62-35-35	62-19-25	"

T210-6000

MODEL 6000 TABULATED BILLS of MATERIAL



Tab No.	Rear Brg. Cap Assy's		Speedometer		(-) Brake Ass'y See Footnote	Shifter		
	Cap Bushing and Seal	Cap and Bushing	Drive Gear	Driven Gear	End Yoke or Companion Flange	Housing Assembly Pages	Lever & Dome Assy. Pages	Remote Control Pages
	H-2	H-3	B-16	H-8	B-17	36-39	50-53	40-49

3905 (Con't)

-441	—	7116X	—	—	—	8088X	310104X	—
-442	—	"	—	—	6-1-2221(3)	"	"	—
-443	—	"	62-452-3	62-453-4	"	"	310083X	—
-444	—	"	—	—	—	"	—	—
-445	—	"	—	—	(4)	"	—	—
-446	—	7116X	—	—	—	8088X	311704-2X	—
-447	—	"	—	—	—	"	310083X	—
-448	—	"	62-452-5	—	—	"	312104X	—
-449	—	"	—	—	—	"	—	—
-450	—	"	—	—	—	"	310083X	—
-451	—	7116X	—	—	—	8088X	311055X	—
-452	—	"	—	—	—	"	"	—
-453	311069X	311604X	62-452-12	—	—	"	311200X	—
-454	—	7116X	62-452-7	—	—	"	—	—
-455	—	"	—	—	—	"	311055X	—
-456	—	7116X	62-452-12	—	—	8088X	311233X	—
-457	—	"	—	—	—	"	311055X	—
-458	—	"	—	—	—	"	"	—
-459	—	"	62-452-3	62-453-4	5-1-3141	"	8091X	—
-460	—	"	62-452-5	—	—	"	311200X	—
-461	—	7116X	—	—	—	8088X	311055X	—
-462	—	"	62-452-7	—	—	"	—	—
-463	311069X	311604X	—	—	5-1-3141	"	8091X	—
-464	—	7116X	62-452-2	62-452-1	—	"	"	—
-465	—	"	—	—	—	"	"	—
-466	—	7116X	—	—	—	8088X	311200X	—
-467	—	"	—	—	6-1-2221	"	310083X	—
-468	311069X	311604X	62-452-12	—	—	"	311200X	—
-469	—	7116X	62-452-6	62-453-9	6-1-2221	"	310083X	—
-470	—	"	62-452-5	—	—	"	311200X	—
-471	—	7116X	—	—	(3)	8088X	310104X	—
-472	—	"	62-452-12	—	—	"	311233X	—
-473	310210X	310157X	"	—	(1)	"	311200X	—
-474	—	7116X	—	—	—	"	310104X	—
-475	310210X	310157X	62-452-12	—	(1)	312335X	—	—
-476	—	7116X	62-452-5	—	—	8088X	311704-5X	—
-477	—	"	62-452-7	—	—	"	—	—
-478	—	"	—	—	—	"	8091X	—
-479	311069X	311604X	62-452-12	—	—	"	—	—
-480	—	7116X	—	—	6-1-2261	"	310083X	—
-481	—	7116X	—	—	—	8088X	311055X	—
-482	—	"	—	—	—	"	"	—
-483	—	"	—	—	—	"	"	—
-484	—	"	—	—	—	"	"	—
-485	311069X	311604X	62-452-12	—	—	"	311704X	—
-486	—	7116X	62-452-3	62-453-5	—	"	310083X	—

(1) Brake Parts only, See Pages 34-35
 (3) 5400-1X Brake Assembly, See Pages 34-35

(4) 5400-3X Brake Assembly, See Pages 34-35

Tab No.	Used By	MODEL RATIO	For Use With Clutch	Clutch Housing			Main Drive Gear A-1	Front Bearing Cap F-2	Case Assembly G-1
				S A E	Assembly No. E-2	Rel. Code Pages 58-61			
3913 (Military)									
3913	—	6455	L-R, 15"SP	2	8014X	103	62-35-30	62-19-25	8029X
-1	—	6455	L-R, 15"SP	2	"	91	62-35-30	"	"
-2	—	6354	L-R, 15"SP	2	"	103	62-35-35	"	"
-3	—	6455	L-R, 15"SP	—	—	—	62-35-30	"	"
3926 (Military)									
-1	Bierderman	6855	Spi., 14"2P	1	310214X	8-A	62-35-36	62-19-22	8029X
-2	Am. LaFrance	6854	Spi., 14"2P	1	8140X	10	"	"	"
-3	Am. LaFrance	6854	Spi., 14"2P	1	310814X	10	"	"	"
-4	Am. LaFrance	6854	L-R, 14"2P	1	310802X	26	62-35-65	62-19-50	"
300045									
-1	IHC	6352	Rock, 15"SP	2	102C-509	108	62-35-45	310302X	62-15-19
-2	Hardy	6352	Spi., 13"2P	3	102C-506	3	62-35-37	62-19-22	"
-3	Van Doorne	6352	Rock, 15"SP	2	102C-509	107	62-35-45	310302X	"
-4	Hardy	6352	Spi., 13"2P	2	102C-513	124	62-35-37	62-19-22	"
-5	Dart Trk.	6352	Rock, 15"SP	2	102C-509	107	62-35-45	310302X	"
-6	Mack	6453	L-R, 15"SP	2	102C-509	107	62-35-35	310302X	62-15-19
-7		6453	L-R, 15"SP	2	"	108	"	"	"
-8	Kaiser	6352	Rock, 15"SP	2	"	107	62-35-45	"	"
-9	Kaiser	6352	Rock, 15"SP	2	"	108	"	"	"
-10	Caterpillar	6853-L	Rock, 15"SP	2	"	107	62-35-89	"	"
-11	Kaiser	6453	L-R, 15"SP	2	102C-509	108	62-35-35	310302X	62-15-19
-12	Kaiser	6453	Rock, 15"SP	2	"	107	"	"	"
-13	Am. Mtr.	6453	L-R, 15"SP	2	"	107	"	"	"
300091									
-1	—	6455-A	Spi., 14"2P	2	8019X	130	62-35-33	62-19-22	310441X
-2	IHC	6455-A	Spi., 14"2P	2	"	144	"	"	"
-3	IHC	6455-A	Spi., 14"2P	1	310432X	144	"	"	"
-4	—	6354	Rock, 14"SP	2	7046X	167	62-35-48	62-19-45	"
-5	IHC	6354	Spi., 14"2P	1	310613X	130	62-35-58	62-19-22	"
-6		6854-F	Spi., 14"2P	—	—	—	62-35-58	62-19-22	310441X
-7	White Frtnr	6354-B	Spi., 14"2P	1	310613X	130	62-35-37	"	"
-8	IHC	6455-A	Spi., 14"2P	2	8019X	—	62-35-33	"	310867X
-9	—	6854-F	Spi., 14"2P	1	310613X	130	62-35-58	"	310441X
-10	IHC	6458-B	Spi., 14"2P	1	"	215	62-35-52	"	310728X
-11	IHC	6458-B	Spi., 14"2P	2	62-518-9	111	62-35-52	62-19-22	8090X
-12	White Frtnr	6854-F	Spi., 14"2P	1	310613X	115	62-35-58	"	310441X
-13	—	6354	Spi., 14"2P	1	310821X	—	62-35-37	"	310728X
-14	—	6354-A	Spi., 14"2P	1	8005X	137	"	"	310441X
-15	—	6354-B	Spi., 14"2P	1	310821X	201	"	"	310728X
-16	—	6854-C	Spi., 14"2P	1	310821X	137	62-35-37	62-19-22	310441X
-17	—	6854	Spi., 14"2P	1	"	137	62-35-36	"	"
-18	—	6455	Spi., 14"2P	1	"	137	62-35-33	"	"
-19	—	6455A	Spi., 14"2P	1	"	137	"	"	"
-20	—	6855	Spi., 14"2P	1	"	137	62-35-36	"	"

T210-6000

MODEL 6000 TABULATED BILLS of MATERIAL



Tab No.	Rear Brg. Cap Assy's		Speedometer		(-) Brake Assy See Footnote End Yoke or Companion Flange B-17	Shifter		
	Cap Bushing and Seal H-2	Cap and Bushing H-3	Drive Gear B-16	Driven Gear H-8		Housing Assembly Pages 36-39	Lever & Dome Assy. Pages 50-53	Remote Control Pages 40-49
	3913 (Military)							
3913	■62-19-43	—	—	—	5-1-3321X	310184X	—	310185X
-1	"	—	—	—	"	"	—	"
-2	"	—	—	—	"	"	—	"
-3	"	—	—	—	"	"	—	"
3926 (Military)								
-1	■62-19-43	—	—	—	5-1-3321X	310184X	—	310186X
-2	"	—	—	—	6-1-198X	"	—	"
-3	"	—	—	—	"	"	—	"
-4	"	—	—	—	"	"	—	"
300045								
-1	■62-19-43	—	—	—	6-1-198X	310159X	310137X	—
-2	"	—	—	—	"	"	"	—
-3	"	—	—	—	"	"	—	—
-4	"	—	—	—	"	"	—	—
-5	"	—	—	—	"	"	—	—
-6	■62-19-43	—	—	—	6-1-198X	310159X	310137X	—
-7	"	—	—	—	"	"	"	—
-8	"	—	—	—	"	"	"	—
-9	"	—	—	—	"	"	"	—
-10	"	—	—	—	"	"	"	—
-11	■62-19-43	—	—	—	6-1-198X	310159X	310137X	—
-12	"	—	—	—	"	"	"	—
-13	"	—	—	—	"	"	"	—
300091								
-1	—	7116X	—	—	—	310469X	8091X	—
-2	—	"	—	—	6-4-1721	"	"	—
-3	—	"	62-452-5	—	"	"	"	—
-4	—	"	62-452-6	—	5-1-3151(1)	—	310507X	—
-5	—	"	62-452-3	—	—	—	—	—
-6	—	7116X	62-452-5	—	—	—	—	—
-7	—	"	—	—	—	—	—	—
-8	—	"	—	—	—	(1) 310868X	8055X	—
-9	—	"	—	—	—	—	—	—
-10	—	"	62-452-3	—	—	310469X	—	—
-11	—	7116X	—	—	—	311017X	—	—
-12	—	"	—	—	—	—	—	—
-13	—	"	—	—	—	310469X	—	—
-14	—	"	—	—	—	"	—	—
-15	—	"	—	—	—	"	—	—
-16	—	7116X	—	—	—	310469X	—	—
-17	—	"	—	—	—	"	—	—
-18	—	"	—	—	—	"	—	—
-19	—	"	—	—	—	"	—	—
-20	—	"	—	—	—	"	—	—

■ - Rear Bearing Cap Used With Oil Seal 62-463-6.
(1) Brake Parts only, See Pages 34-35

Tab No.	Used By	MODEL RATIO	For Use With Clutch	Clutch Housing			Main Drive Gear A-1	Front Bearing Cap F-2	Case Assembly G-1
				S A E	Assembly No. E-2	Rel. Code Pages 58-61			
300091 (Con't)									
-21	—	6855-B	Spi., 14"2P	1	310821X	137	62-35-36	62-19-22	310441X
-22	—	6458-B	Spi., 14"2P	1	310613X	161	62-35-52	"	8090X
-23	—	6854-F	Spi., 14"2P	2	"	—	62-35-58	"	310441X
-24	IHC	6455-A	Rock, 14"SP	2	102C-474	—	62-35-74	62-19-34	310867X
-25	IHC	6855-C	—	1	310613X	—	62-35-83	62-19-12	310728X
-26	—	6354-C	—	2	311258X	168	62-35-55	62-19-45	311758X
-27	—	6354	—	2	"	168	"	"	"
-28	—	6354-A	—	2	"	167	"	"	"
-29	—	6354	—	2	311939X	—	62-35-86	62-19-64	310728X
-30	IHC	6854-K	—	1	310613X	—	62-35-73	62-19-22	310441X
-31	IHC	6854-K	Spi., 14"2P	2	310613X	—	62-35-73	62-19-22	310441X
-32*	—	6854-T	—	—	—	—	62-35-54	62-19-45	310441X
*Reverse Blocked Out									
33	—	6455-A	—	2	310613X	191	62-35-33	62-19-22	310728X
300092									
-1	Wstrn Flyer	6854	Long, 15"4A	2	7043X	175	62-35-54	62-19-45	311061X
-2	Mtr Coach-Can.	6854	Long, 15"4A	2	"	174	"	"	"
-3	—	6354-A	Long, 15"4A	2	"	174	62-35-55	"	"
-4	Mtr Coach-Can.	6854	Long, 15"4A	2	"	175	62-35-54	"	"
-5	Mtr Coach-Can.	6454-B	Long, 17"SP	1	310753X	182	62-35-84	62-19-50	"
-6	Mtr Coach-Can.	6354-A	Long, 15"4A	2	7043X	175	62-35-55	62-19-45	311061X
-7	—	6354-A	Long, 15"4A	2	"	175	"	"	"
-8	Mtr Coach-Can.	6454-B	Long, 17"SP	1	310753X	182	62-35-84	62-19-50	"
-9	Wstrn Flyer	6454-B	Long, 15"4A	1	310802X	182	"	"	"
-10	Wstrn Flyer	6454-B	Long, 15"4A	1	"	183	"	"	"
300112									
-1	GMC	6852-D	L-R, 14"2P	2	310475X	—	62-35-56	62-19-55	311848X
-2	GMC	6852-E	L-R, 14"2P	2	"	—	"	"	"
-3	GMC	6853-C	L-R, 14"2P	2	"	—	"	"	"
-4	GMC	6852-D	L-R, 14"2P	2	"	—	"	"	"
-5	GMC	6852-E	L-R, 14"2P	2	"	—	"	"	"
-6	GMC	6853-E	L-R, 14"2P	2	310475X	—	62-35-56	62-19-55	311848X
-7	GMC	6352	L-R, 14"2P	2	"	—	62-35-62	"	"
-8	GMC	6352	L-R, 14"2P	2	"	—	"	"	"
-9	GMC	6852-F	L-R, 14"2P	2	"	—	62-35-60	"	"
-10	GMC	6852-G	L-R, 14"2P	2	"	—	62-35-63	"	"
-11	GMC	6852-F	L-R, 14"2P	2	310475X	—	62-35-60	62-19-55	311848X
-12	GMC	6852-G	L-R, 14"2P	2	"	—	62-35-63	"	"
-13	GMC	6853-C	L-R, 14"2P	2	"	—	62-35-56	"	"
-14	GMC	6853-C	L-R, 14"2P	2	"	—	"	"	"
-15	GMC	6853-C	L-R, 14"2P	2	"	—	"	"	"

MODEL 6000
TABULATED BILLS of MATERIAL



Tab No.	Rear Brg. Cap Assy's		Speedometer		(—) Brake Ass'y See Footnote	Shifter		
	Cap Bushing and Seal	Cap and Bushing	Drive Gear	Driven Gear	End Yoke or Companion Flange	Housing Assembly Pages	Lever & Dome Assy. Pages	Remote Control Pages
	H-2	H-3	B-16	H-8	B-17	36-39	50-53	40-49

300091 (Con't)

-21	—	7116X	—	—	—	310469X	—	—
-22	—	"	—	—	—	8088X	—	—
-23	—	"	—	—	—	—	—	—
-24	310210X	310157X	62-452-12	—	—	310469X	311200X	—
-25	—	7116X	—	—	—	"	—	—
-26	—	7116X	—	—	5-1-3141	310469X	310430X	—
-27	—	"	—	—	"	"	"	—
-28	—	"	—	—	"	"	"	—
-29	—	"	—	—	—	"	—	—
-30	—	"	—	—	—	"	—	—
-31	—	7116X	—	—	—	310469X	311704-2X	—
-32	—	7116X	—	—	—	311020X	—	—
-33	—	7116X	—	—	6-1-2221	310469X	310507X	—

300092

-1	—	310437X	—	—	5-1-3841	310469X	—	310438X
-2	—	—	—	—	5-1-3991X	"	—	—
-3	—	—	—	—	"	"	—	—
-4	—	—	—	—	5-4-1441	"	—	310438X
-5	—	—	—	—	5-1-4411X	311275X	—	"
-6	—	—	—	—	—	310469X	—	310438X
-7	—	—	—	—	5-4-1441	"	—	—
-8	—	—	—	—	5-1-4411X	"	—	—
-9	—	310437X	—	—	5-1-3841	"	—	310438X
-10	—	—	—	—	"	"	—	"

300112

-1	310210X	310157X	62-452-9	62-453-8	6-1-2801X	310477X	—	—
-2	"	"	"	"	"	"	—	—
-3	"	"	"	"	" (10)	"	—	—
-4	"	"	—	—	"	"	—	—
-5	"	"	—	—	"	"	—	—
-6	310210X	310157X	—	—	6-1-2801X	310477X	—	—
-7	"	"	62-452-9	62-453-8	" (10)	"	—	—
-8	"	"	—	—	"	"	—	—
-9	"	"	62-452-9	62-453-8	" (10)	310658X	—	—
-10	"	"	"	"	" (10)	310477X	—	—
-11	310210X	310157X	—	—	6-1-2801X	310477X	—	—
-12	"	"	—	—	"	"	—	—
-13	"	"	62-452-9	62-453-8	"	310803X	—	—
-14	"	"	"	"	" (10)	"	—	—
-15	"	"	—	—	"	310477X	—	—

(10) 310752 Bendix Brake furnished as an Assembly only. See Pages 34-35



MODEL 6000 TABULATED BILLS of MATERIAL

T210-6000

Tab No.	Used By	MODEL RATIO	For Use With Clutch	Clutch Housing			Main Drive Gear A-1	Front Bearing Cap F-2	Case Assembly G-1
				S A E	Assembly No. E-2	Rel. Code Pages 58-61			
300112 (Con't)									
-16	GMC	6852-G	L-R, 14"2P	2	310475X	—	62-35-63	62-19-55	311848X
-17	GMC	6852-J	L-R, 14"2P	2	"	—	"	"	"
-18	GMC	6853-G	L-R, 14"2P	2	"	—	"	"	"
-19	GMC	6852-E	L-R, 14"2P	2	"	—	62-35-56	"	"
-20	GMC	6853-C	L-R, 14"2P	2	"	—	"	"	"
-21	GMC	6853-C	L-R, 14"2P	2	"	—	62-35-66	"	"
-22	GMC	6852-E	L-R, 14"2P	2	"	—	"	"	"
300154									
-1	Never Released for Production								
-2	GMC	6852-G	L-R, 14"2P	2	310475X	—	62-35-63	62-19-55	311848X
-3	GMC	6852-F	L-R, 14"2P	2	"	—	62-35-60	"	"
-4	GMC	6853-C	L-R, 14"2P	2	"	—	62-35-56	"	"
-5	GMC	6852-D	L-R, 14"2P	2	"	—	"	"	"
-6	GMC	6853-C	L-R, 14"2P	2	310475X	—	62-35-56	62-19-55	311848X
-7	GMC	6853-H	L-R, 14"2P	2	311847X	—	62-35-65	"	"
-8	GMC	6852-E	L-R, 14"2P	2	310475X	—	62-35-56	"	"
-9	GMC	6852-K	L-R, 14"2P	2	311847X	—	62-35-78	"	"
-10	GMC	6852-D	L-R, 14"2P	2	310475X	—	62-35-56	"	"
-11	GMC	6853-C	L-R, 14"2P	2	311847X	—	62-35-79	62-19-66	311005X
-12	GMC	6853-C	L-R, 14"2P	2	"	—	"	"	"
-13	GMC	6852-L	L-R, 14"2P	2	"	—	62-35-78	62-19-55	311848X
-14	GMC	6853-C	L-R, 14"2P	2	310475X	—	62-35-56	"	"
-15	GMC	6852-D	L-R, 14"2P	2	"	—	"	"	"
-16	GMC	6852-D	L-R, 14"2P	2	311847X	—	62-35-79	62-19-66	311005X
-17	GMC	6852-E	L-R, 14"2P	2	"	—	"	"	"
-18	GMC	6852-D	L-R, 14"2P	2	"	—	"	"	"
-19	GMC	6852-E	L-R, 14"2P	2	"	—	"	"	"
-20	GMC	6852-G	L-R, 14"2P	2	"	—	52-35-78	"	"
-21	GMC	6852-E	L-R, 14"2P	2	310475X	—	62-35-56	62-19-55	311848X
-22	GMC	6852-E	L-R, 14"2P	2	311847X	—	62-35-79	62-19-66	311005X
-23	GMC	6853-C	L-R, 14"2P	2	"	—	"	"	"
-24	GMC	6852-D	L-R, 14"2P	2	"	—	"	"	311889X
-25	GMC	6352-B	L-R, 14"2P	2	"	—	62-35-86	"	311005X
-26	GMC	6352-B	L-R, 14"2P	2	311847X	—	62-35-86	62-19-66	311005X
-27	GMC	6853-C	L-R, 14"2P	2	310475X	—	62-35-56	62-19-55	311889X
-28	GMC	6853-C	L-R, 14"2P	2	311847X	—	62-35-79	62-19-66	311662X
-29	GMC	6853-C	L-R, 14"2P	2	"	—	"	"	311889X
-30	GMC	6352-B	L-R, 14"2P	2	"	—	62-35-86	"	"
-31	GMC	6852-J	L-R, 14"2P	2	311847X	—	62-35-78	62-19-55	311005X
-32	GMC	6852-D	L-R, 14"2P	2	"	—	62-35-79	62-19-66	311662X
-33	GMC	6852-G	L-R, 14"2P	2	"	—	62-35-78	62-19-55	311005X
-34	GMC	6853-C	L-R, 14"2P	2	"	—	62-35-79	"	"
-35	GMC	6852	L-R, 14"2P	2	"	—	62-35-65	62-19-66	"

MODEL 6000
TABULATED BILLS of MATERIAL



Tab No.	Rear Brg. Cap Assy's		Speedometer		(-) Brake Assy See Footnote End Yoke or Companion Flange B-17	Shifter		
	Cap Bushing and Seal H-2	Cap and Bushing H-3	Drive Gear B-16	Driven Gear H-8		Housing Assembly Pages 36-39	Lever & Dome Assy. Pages 50-53	Remote Control Pages 40-49

300112 (Con't)

-16	310210X	310157X	62-452-9	62-453-8	6-1-2801X(10)	310658X	—	—
-17	"	"	"	"	" (10)	310477X	—	—
-18	"	"	"	"	" (10)	"	—	—
-18	"	"	"	"	" (10)	310658X	—	—
-20	"	"	"	"	" (10)	—	—	—
-21	"	"	"	"	"	311010X	—	—
-22	"	"	"	"	" (10)	311016X	—	—

300154

-1	Never Released for Production							
-2	310210X	310157X	62-452-9	62-453-8	6-1-2801X(11)	310477X	—	—
-3	"	"	"	"	" (11)	310658X	—	—
-4	"	"	"	"	" (11)	310803X	—	—
-5	"	"	—	—	" (11)	310658X	—	—
-6	310210X	310157X	62-452-9	62-453-8	6-1-2801X(12)	—	—	—
-7	"	"	"	"	" (11)	312630X	—	—
-8	"	"	"	"	" (11)	311016X	—	—
-9	"	"	"	"	" (11)	312630X	—	—
-10	"	"	"	"	" (11)	311016X	—	—
-11	310210X	310157X	62-452-9	62-453-8	6-1-2801X(13)	312630X	—	—
-12	"	"	—	—	6-1-2391	"	—	—
-13	"	"	62-452-9	62-453-8	6-1-2801X(11)	"	—	—
-14	"	"	"	"	" (13)	"	—	—
-15	"	"	"	"	" (11)	311017X	—	—
-16	310210X	310157X	62-452-9	62-453-8	6-1-2801X(13)	312630X	—	—
-17	"	"	"	"	" (13)	"	—	—
-18	"	"	—	—	6-1-2391	"	—	—
-19	"	"	—	—	"	"	—	—
-20	"	"	62-452-9	62-453-8	6-1-2801X(13)	"	—	—
-21	310210X	310157X	—	—	6-1-2801X	311017X	—	—
-22	"	"	62-452-9	62-453-8	" (13)	311368X	—	—
-23	"	"	"	"	6-1-2391	312630X	—	—
-24	"	"	"	"	"	"	—	—
-25	"	"	—	—	"	"	—	—
-26	310210X	310157X	—	—	6-1-2801X(13)	312630X	—	—
-27	"	"	62-452-9	62-453-8	" (12)	"	—	—
-28	311069X	311604X	"	"	5-4-3091	"	—	—
-29	310210X	310157X	"	"	6-1-2801X(13)	"	—	—
-30	"	"	—	—	6-1-2391	"	—	—
-31	310210X	310157X	62-452-9	62-453-8	6-1-2801X(13)	312630X	—	—
-32	311069X	311604X	"	"	6-1-2391	"	—	—
-33	310210X	310157X	"	"	6-1-2801X(13)	"	—	—
-34	"	"	"	"	"	"	—	—
-35	"	"	"	"	"	"	—	—

(10) 310752 Bendix Brake furnished as an Assembly only. See Pages 34-35
 (11) 310922 Bendix Brake furnished as an Assembly only. See Pages 34-35
 (12) 311461 Bendix Brake furnished as an Assembly only. See Pages 34-35
 (13) 311004 Bendix Brake furnished as an Assembly only. See Pages 34-35

Tab No.	Used By	MODEL RATIO	For Use With Clutch	Clutch Housing			Main Drive Gear A-1	Front Bearing Cap F-2	Case Assembly G-1
				S A E	Assembly No. E-2	Rel. Code Pages 58-61			
300154 (Con't)									
-36	GMC	6352-B	L-R, 14"2P	2	311847X	—	62-35-86	62-19-66	311005X
-37	GMC	6852-G	L-R, 14"2P	2	311883X	—	62-35-77	62-19-70	"
-38	GMC	6352	L-R, 14"2P	2	"	—	62-35-55	"	311884X
-39	GMC	6852-E	L-R, 14"2P	2	311847X	—	62-35-79	62-19-66	311662X
-40	GMC	6352-B	L-R, 14"2P	2	"	—	62-35-86	"	311005X
-41	GMC	6852-D	L-R, 14"2P	2	311847X	—	62-35-79	62-19-66	311662X
-42	GMC	6852-K	L-R, 14"2P	2	"	—	62-35-78	"	311005X
-43	GMC	6852-K	L-R, 14"2P	2	"	—	"	"	"
-44	GMC	6852-S	L-R, 14"2P	2	"	—	62-35-79	"	"
-45	GMC	6352-B	L-R, 14"2P	2	"	—	62-35-86	62-19-55	311889X
-46	GMC	6852-E	L-R, 14"2P	2	311847X	—	62-35-79	62-19-66	311662X
-47	GMC	6852-K	L-R, 14"2P	2	"	—	62-35-78	"	311005X
-48	GMC	6852	—	2	"	—	62-35-65	"	"
-49	GMC	6352	L-R, 14"2P	2	"	—	62-35-86	"	"
-50	GMC	6852-K	L-R, 14"2P	2	311883X	—	62-35-90	62-19-70	"
-51	GMC	6852-K	L-R	2	311847X	—	62-35-78	62-19-66	311662X
-52	GMC	6352-B	L-R	2	311883X	—	62-35-55	62-19-70	311005X
-53	GMC	6852-K	L-R	2	311847X	—	62-35-78	62-19-66	311662X
-54	GMC	6853-C	L-R	2	"	—	62-35-79	"	"
-55	GMC	6352-B	L-R	2	"	—	62-35-86	"	"
-56	GMC	6852-S	L-R	2	311847X	—	62-35-79	62-19-66	311662X
-57	GMC	6852-K	L-R	2	"	—	62-35-78	"	"
-58	GMC	6852-K	L-R	2	"	—	"	"	"
-59	GMC	6852-K	L-R	2	"	—	"	"	311005X
-60	GMC	6852-K	L-R	2	"	—	"	"	"
-61	GMC	6352	L-R, 14"SP	2	311883X	—	62-35-55	62-19-70	311005X
-62	GMC	6852-G	L-R, 2P	2	311847X	—	62-35-78	62-19-66	"
-63	GMC	6352-B	L-R, 2P	2	"	—	62-35-86	"	"
-64	GMC	6352-B	L-R, 2P	2	"	—	"	"	"
-65	GMC	6352-B	L-R, 2P	2	"	—	"	"	"
-66	GMC	6852-K	L-R, 2P	2	311847X	—	62-35-78	62-19-66	311005X
-67	GMC	6852-K	L-R, 2P	2	"	—	"	"	"
-68	GMC	6852-K	L-R, 2P	2	"	—	"	"	"
-69	GMC	6852-K	L-R, 2P	2	"	—	"	"	311662X
-70	GMC	6852-K	L-R, 2P	2	"	—	"	"	"
-71	GMC	6852-K	L-R, 2P	2	311847X	—	62-35-78	62-19-66	311662X
-72	GMC	6852-K	L-R, 2P	2	"	—	"	"	"
-73	GMC	6852-K	L-R, 2P	2	"	—	"	"	311005X
-74	GMC	6852-K	L-R, 2P	2	"	—	"	"	"
-75	GMC	6852-S	L-R, 2P	2	"	—	62-35-79	"	"

T210-6000

MODEL 6000 TABULATED BILLS of MATERIAL



Tab No.	Rear Brg. Cap Assy's		Speedometer		(-) Brake Ass'y See Footnote	Shifter		
	Cap Bushing and Seal	Cap and Bushing	Drive Gear	Driven Gear	End Yoke or Companion Flange	Housing Assembly	Lever & Dome Assy.	Remote Control
	H-2	H-3	B-16	H-8	B-17	Pages 36-39	Pages 50-53	Pages 40-49

300154 (Con't)

-36	310210X	310157X	62-452-9	62-453-8	6-1-2801X(13)	312630X	—	—
-37	"	"	"	"	" (13)	"	—	—
-38	"	"	"	"	" (13)	"	—	—
-38	311069X	311604X	"	"	6-1-2391	"	—	—
-40	310210X	310157X	—	—	"	"	—	—
-41	311069X	311604X	62-452-9	62-453-8	6-4-2361	312630X	—	—
-42	310210X	310157X	—	—	6-1-2391	"	—	—
-43	"	"	—	—	6-1-2801X(13)	"	—	—
-44	"	"	—	—	" (13)	"	—	—
-45	"	"	—	—	6-1-2391	"	—	—
-46	311069X	311604X	62-452-9	62-453-8	6-1-2391	312630X	—	—
-47	310210X	310157X	"	"	6-1-2801X	"	—	—
-48	"	"	—	—	6-1-2391	"	—	—
-49	"	"	62-452-9	62-453-8	"	"	—	—
-50	"	"	"	"	6-1-2801X	"	—	—
-51	311069X	311604X	62-452-9	62-453-8	6-1-2391	312630X	—	—
-52	310210X	310157X	"	"	6-1-2801X(13)	"	—	—
-53	311069X	311604X	—	—	5-4-3091	"	—	—
-54	"	"	62-452-9	62-453-8	6-4-2361	"	—	—
-55	"	"	—	—	5-4-3091	"	—	—
-56	311069X	311604X	62-452-9	62-453-8	5-4-3091	312630X	—	—
-57	"	"	—	—	"	"	—	310736-1X
-58	"	"	—	—	"	"	310480-15X	—
-59	310210X	310157X	—	—	6-1-2801X(13)	"	—	310736-1X
-60	"	"	—	—	" (13)	"	310480-15X	—
-61	310210X	310157X	—	—	6-1-2391	312630X	—	—
-62	"	"	—	—	"	"	—	—
-63	"	"	—	—	"	"	—	—
-64	"	"	—	—	6-1-2801X	"	—	—
-65	"	"	62-452-9	62-453-8	" (13)	"	—	—
-66	310210X	310157X	—	—	6-1-2391	312630X	—	—
-67	"	"	—	—	6-1-2801X(13)	"	—	—
-68	"	"	62-452-9	62-453-8	" (13)	"	—	—
-69	311069X	311604X	"	"	5-4-3091	"	—	—
-70	"	"	—	—	"	"	—	—
-71	311069X	311604X	—	—	5-4-3091	312630X	—	310736-1X
-72	"	"	—	—	"	"	310480-15X	—
-73	310210X	310157X	—	—	6-1-2801X(13)	"	—	310736-1X
-74	"	"	—	—	"	"	310480-15X	—
-75	"	"	—	—	6-1-2391	"	—	—

(13) 311004 Bendix Brake furnished as an Assembly only. See Pages 34-35

Tab No.	Used By	MODEL RATIO	For Use With Clutch	Clutch Housing			Main Drive Gear A-1	Front Bearing Cap F-2	Case Assembly G-1
				S A E	Assembly No. E-2	Rel. Code Pages 58-61			
300154 (Con't)									
-76	GMC	6852-E	L-R, 2P	2	311847X	—	62-35-79	62-19-55	311005X
-77	GMC	6352	—	2	"	—	62-35-86	"	"
-78	GMC	6853-C	L-R, 2P	2	"	—	62-35-79	"	"
-79	GMC	6352-B	L-R, 2P	2	"	—	62-35-86	"	"
-80	GMC	6852-G	L-R, 2P	2	"	—	62-35-78	62-19-66	"
-81	GMC	6352-B	L-R, 2P	2	311847X	—	62-35-86	62-19-66	311005X
-82	GMC	6852-K	L-R, 2P	2	"	—	62-35-78	"	311662X
-83	GMC	6852-K	L-R, 2P	2	"	—	"	"	"
-84	GMC	6352-B	L-R, 2P	2	"	—	62-35-86	"	"
-85	GMC	6853-C	L-R, 2P	2	"	—	62-35-79	"	311005X
-86	GMC	6852-S	L-R, 2P	2	311847X	—	62-35-79	62-19-66	311662X
-87	GMC	6852-K	L-R, 2P	2	"	—	62-35-78	"	311005X
-88	GMC	6852-K	L-R	2	"	—	"	"	312455X
-89	GMC	6853-C	L-R, 2P	2	"	—	62-35-79	"	"
-90	GMC	6352	L-R, 2P	2	"	—	62-35-86	"	311005X
-91	GMC	6352	L-R, 2P	2	311883X	—	62-35-90	62-19-70	311005X
-92	GMC	6853-C	L-R, 2P	2	311847X	—	62-35-79	62-19-66	"
-93	GMC	6852-K	—	2	"	—	62-35-78	"	"
-94	GMC	6852-K	L-R, 2P	2	"	—	"	62-19-55	"
-95	GMC	6852-S	—	2	"	—	62-35-79	62-19-66	"
-96	GMC	6352	—	2	311847X	—	62-35-86	62-19-66	311005X
-97	GMC	6852-G	—	2	"	—	62-35-78	"	"
-98	GMC	6852-K	—	2	"	—	"	"	311889X
300174									
-1	—	6352	—	—	—	—	62-35-67	62-19-65	311249X
-2	—	6452-A	—	—	—	—	62-35-68	"	"
-3	—	6852-G	—	—	—	—	62-35-69	"	"
-4	—	6352	—	—	—	—	62-35-67	"	"
-5	—	6453-A	—	—	—	—	62-35-68	"	"
-6	—	6852-G	—	—	—	—	62-35-69	62-19-65	311249X
-7	Ford	6352	—	—	—	—	62-35-37	"	"
-8	Ford	6453-A	—	—	—	—	62-35-68	"	"
-9	Ford	6852-G	—	—	—	—	62-35-69	"	"
-10	Ford	6352-B	—	—	—	—	62-35-67	"	"
-11	Ford	6853-C	—	—	—	—	62-35-85	62-19-65	311249X
-12	Ford	6352	—	—	—	—	62-35-67	—	"
-13	—	6352-D	—	—	—	—	"	62-19-65	"
-14	—	6852-K	—	—	—	—	62-35-69	"	"
-15	—	6452-A	—	—	—	—	62-35-68	"	"
-16	—	6852-J	—	—	—	—	62-35-69	"	"
-17	—	6352	—	—	—	—	62-35-67	"	311993X

MODEL 6000 TABULATED BILLS of MATERIAL



Tab No.	Rear Brg. Cap Assy's		Speedometer		(-) Brake Ass'y See Footnote	Shifter		
	Cap Bushing and Seal	Cap and Bushing	Drive Gear	Driven Gear	End Yoke or Companion Flange	Housing Assembly Pages	Lever & Dome Assy. Pages	Remote Control Pages
	H-2	H-3	B-16	H-8	B-17	36-39	50-53	40-49

300154 (Con't)

-76	310210X	310157X	62-452-9	62-453-8	6-1-2801X(13)	312630X	—	—
-77	"	"	—	—	6-1-2391	"	—	—
-78	"	"	—	—	"	"	—	—
-79	"	"	—	—	"	"	—	—
-80	"	"	62-452-9	62-453-8	"	"	—	—
-81	310210X	310157X	62-452-9	62-453-8	6-1-2391	312630X	—	—
-82	311069X	311604X	"	"	5-4-3091	311368X	—	—
-83	"	"	—	—	"	"	—	—
-84	"	"	—	—	"	312630X	—	—
-85	310210X	310157X	—	—	6-1-2801X(13)	"	—	—
-86	311069X	311604X	—	—	5-4-3091	312630X	—	—
-87	310210X	310157X	62-452-9	62-453-8	6-1-2391	"	—	—
-88	311069X	311604X	"	"	5-4-3091	"	—	—
-89	"	"	"	"	"	"	—	—
-90	310210X	310157X	"	"	6-1-2801X(13)	"	—	—
-91	310210X	310157X	62-452-9	62-453-8	6-1-2391	312630X	—	—
-92	—	—	—	—	—	"	—	—
-93	—	—	—	—	—	"	—	—
-94	310210X	310157X	—	—	6-1-2801X(13)	" (13)	—	—
-95	—	—	62-452-9	—	—	"	—	—
-96	—	—	62-452-9	—	—	312630X	—	—
-97	—	—	"	—	—	"	—	—
-98	310210X	310157X	"	—	6-1-2801X(13)	" (13)	—	—

300174

-1	—	—	—	—	—	—	—	—
-2	—	—	—	—	—	—	—	—
-3	—	—	—	—	—	—	—	—
-4	—	—	—	—	—	—	—	—
-5	—	—	—	—	—	—	—	—
-6	—	—	—	—	—	—	—	—
-7	—	—	—	—	—	—	—	—
-8	—	—	—	—	—	—	—	—
-9	—	—	—	—	—	—	—	—
-10	—	—	—	—	—	—	—	—
-11	—	—	—	—	—	—	—	—
-12	—	—	—	—	—	—	—	—
-13	—	—	—	—	—	—	—	—
-14	—	—	—	—	—	—	—	—
-15	—	—	—	—	—	—	—	—
-16	—	—	—	—	—	—	—	—
-17	—	—	—	—	—	—	—	—

(13) 311004 Bendix Brake furnished as an Assembly only. See Pages 34-35

Tab No.	Used By	MODEL RATIO	For Use With Clutch	Clutch Housing			Main Drive Gear A-1	Front Bearing Cap F-2	Case Assembly G-1
				S A E	Assembly No. E-2	Rel. Code Pages 58-61			
300179									
-1	—	6853-D	Long, 17"SP	1	310753X	31	62-35-65	62-19-50	310066X
-2	—	6853-E	Long, 17"SP	1	310261X	185	"	"	"
-3	—	6853-A	Spi., 13"2P	2	8019X	130	62-35-36	62-19-22	"
-4	—	6852-F	Spi., 14"2P	1	310034X	130	62-35-58	"	"
-5	Flxible	6853	Long, 17"SP	1	310802X	186	62-35-72	62-19-50	"
-6	Am. LaFrance	6453	L-R, 14"2P	1	310802X	26	62-35-81	62-19-64	310066X
-7	Maxim	6852	Long, 17"SP	1	"	187	62-35-72	62-19-50	"
-8	Seagrave	6853-B	Spi., 14"2P	1	310821X	154	62-35-36	62-19-22	311238X
-9	Am. LaFrance	6853	L-R, 14"2P	1	310802X	26	62-35-65	62-19-64	310066X
-10	—	6352	Spi., 14"2P	2	8019X	130	62-35-37	62-19-22	"
-11	So. Coach	6852	Long, 15½"SP	2	310921X	88	62-35-50	62-19-25	310735X
-12	—	6852	Spi., 13"2P	2	8019X	130	62-35-36	62-19-22	310066X
-13	—	6852	Spi., 15½"2P	1	310034X	130	"	"	"
-14	Dia. T	6453	Spi., 14"2P	2	8019X	—	62-35-33	"	8086X
-15	Peter Pirsch	6853-B	Spi., 14"2P	2	"	126	62-35-36	"	310066X
-16	Auto car	6453-A	Rock, 15"TM	2	7005X	20	62-35-35	62-19-31	8086X
-17	—	6453-A	Spi., 14"2P	2	8019X	—	62-35-33	62-19-22	"
-18	Auto. Sprinkler	6852	L-R, 15"SP	1	310971X	27	62-35-50	62-19-25	310066X
-19	Mack	6452	L-R, 15"SP	2	7043X	57	62-35-49	"	"
-20	Auto car	6453-A	Spi., 14"2P	2	62-518-9	111	62-35-33	62-19-22	8086X
-21	Seagrave	6453	L-R, 15"SP	1	310971X	35	62-35-35	62-19-25	310066X
-22	—	6452	L-R, 15"SP	2	7301X	112	62-35-41	62-19-22	"
-23	Auto car	6452	Rock, 15"TM	2	7005X	20	62-35-35	62-19-31	8086X
-24	—	6853-J	Long, 17"SP	1	310753X	31	62-35-72	62-19-64	310066X
-25	Crown Coach	6853	—	—	—	—	62-35-36	62-19-22	"
-26	Napco	6853-J	Long, 17"SP	1	310753X	38	62-35-65	62-19-64	310735X
-27	Am. LaFrance	6453	L-R, 14"2P	1	310802X	26	62-35-81	"	310066X
-28	Crown Coach	6852	Spi., 14"2P	1	310821X	189	62-35-36	62-19-22	"
-29	Am. LaFrance	6853	L-R, 14"2P	1	310971X	27	62-35-50	62-19-25	"
-30	Crown Coach	6853	Spi., 14"2P	1	310821X	189	62-35-36	62-19-22	"
-31	Seagrave	6852	Spi., 13"2P	2	8019X	208	62-35-36	62-19-22	310066X
-32	—	6452	Spi., 14"2P	1	310821X	112	62-35-33	"	"
-33	Crown Coach	6452	Long, 15½"SP	2	310921X	31	62-35-31	62-19-45	"
-34	Auto car	6453-A	Rock, 15"TM	2	7005X	20	62-35-35	62-19-31	8090X
-35	—	6452	Rock, 15"TM	2	"	20	"	"	8086X
-36	Am. LaFrance	6852	L-R, 14"2P	2	310802X	26	62-35-65	62-19-64	310066X
-37	Brockway	6452	L-R, 15"SP	1	310971X	25	62-35-49	62-19-25	"
-38	Seagrave	6853	Spi., 14"2P	2	8019X	208	62-35-36	62-19-22	"
-39	Crown Coach	6453	Long, 17"SP	1	310753X	179	62-35-81	62-19-50	"
-40	FWD	6853-A	Spi., 14"2P	2	8019X	212	62-35-36	62-19-22	"

T210-6000

MODEL 6000 TABULATED BILLS of MATERIAL



Tab No.	Rear Brg. Cap Assy's		Speedometer		(-) Brake Ass'y See Footnote	Shifter		
	Cap Bushing and Seal H-2	Cap and Bushing H-3	Drive Gear B-16	Driven Gear H-8	End Yoke or Companion Flange B-17	Housing Assembly Pages 36-39	Lever & Dome Assy. Pages 50-53	Remote Control Pages 40-49
300179								
-1	—	7116X	—	—	6-1-2251	310181X	—	310736X
-2	—	"	—	—	5-1-3151	"	—	"
-3	—	"	—	—	6-1-2251	"	—	"
-4	—	"	—	—	—	"	—	"
-5	—	"	—	—	5-1-3151	"	—	"
-6	311069X	311604X	—	—	—	8088X	—	310736X
-7	—	7116X	—	—	5-4-1661	312012X	—	310886X
-8	—	"	—	—	5-1-3141	8088X	—	310736X
-9	311069X	311604X	—	—	—	"	—	"
-10	—	7116X	—	—	—	310181X	—	"
-11	—	7116X	62-452-3	62-453-5	5-1-3151	8088X	—	310736X
-12	—	"	—	—	6-1-2251	310181X	—	"
-13	—	"	—	—	—	"	—	"
-14	—	"	—	—	—	"	—	"
-15	—	"	—	—	5-1-3151	"	—	"
-16	—	7116X	—	—	—	310181X	—	310736X
-17	—	"	—	—	—	"	—	"
-18	312590X	310437X	—	—	—	8088X	—	"
-19	—	7116X	—	—	5-1-3141	310181X	—	"
-20	—	"	—	—	—	"	—	"
-21	—	7116X	—	—	—	310181X	—	310736X
-22	—	"	—	—	6-1-2221	"	—	"
-23	—	"	—	—	—	"	—	"
-24	—	"	—	—	6-1-2251	"	—	"
-25	—	"	—	—	"	"	—	"
-26	—	7116X	—	—	6-1-2251	310181X	—	310736X
-27	311069X	311604X	—	—	—	"	—	"
-28	—	7116X	—	—	6-1-2221	8088X	—	"
-29	312590	310437X	—	—	—	"	—	"
-30	—	7116X	—	—	6-1-2251	"	—	"
-31	—	7116X	—	—	—	8088X	—	310736X
-32	—	"	62-452-3	62-453-5	6-1-2221	310181X	—	"
-33	—	"	"	62-453-4	"	"	—	"
-34	310210X	310157X	—	—	—	"	—	"
-35	"	"	—	—	—	"	—	"
-36	311069X	311604X	—	—	—	310181X	—	310736X
-37	—	7116X	—	—	6-1-2221	"	—	"
-38	—	"	—	—	—	8088X	—	"
-39	—	"	62-452-3	62-453-5	6-1-2221	310181X	—	"
-40	—	"	"	"	—	8088X	—	"

Tab No.	Used By	MODEL RATIO	For Use With Clutch	Clutch Housing			Main Drive Gear A-1	Front Bearing Cap F-2	Case Assembly G-1
				S A E	Assembly No. E-2	Rel. Code Pages 58-61			
300179 (Con't)									
-41	Seagrave	6452	L-R, 15"SP	1	310971X	35	62-35-35	62-19-25	310066X
-42	FWD	6852	Spi., 14"2P	1	8019X	154	62-35-36	62-19-22	"
-43	Am. LaFrance	6852	L-R, 14"2P	2	310802X	26	62-35-65	62-19-64	"
-44	—	6352	—	—	—	—	62-35-67	62-19-65	62-15-33
-45	Seagrave	6852	Spi., 14"2P	1	310821X	212	62-35-36	62-19-22	311238X
-46	FWD	6853-A	Spi., 14"2P	2	8019X	154	62-35-36	62-19-22	310066X
-47	Brockway	6852	Spi., 14"2P	1	310821X	126	"	310729X	"
-48	—	6453-A	—	—	—	—	62-35-68	62-19-65	62-15-33
-49	—	6853	L-R, 15"SP	2	310921X	27	62-35-54	62-19-45	311066X
-50	Peter Pirsch	6852	Spi., 14"2P	2	8019X	133	62-35-36	62-19-22	"
-51	Crown Coach	6452	Spi., 14"2P	1	310821X	112	62-35-33	62-19-22	310066X
-52	Ward LaFrance	6453	L-R, 15"SP	2	7043X	178	62-35-31	62-19-45	310735X
-53	Brockway	6452	L-R, 15"SP	1	310971X	28	62-35-49	310302X	310066X
-54	Brockway	6453	L-R, 15"SP	1	"	28	"	"	"
-55	Am. LaFrance	6852	L-R, 15"SP	2	310921X	27	62-35-54	62-19-45	"
-56	—	6853-A	Long, 17"SP	1	310753X	179	62-35-65	62-19-50	310066X
-57	Peter Pirsch	6853-B	14"2P	2	8019X	133	62-35-36	62-19-22	"
-58	Seagrave	6453	L-R, 15"SP	2	310921X	35	62-35-35	62-19-25	"
-59	Am. LaFrance	6853	L-R, 14"2P	1	310802X	26	62-35-65	62-19-64	"
-60	—	6852-F	Spi., 14"2P	2	8019X	130	62-35-58	62-19-22	"
-61	—	6453	L-R, 15"SP	1	310971X	28	62-35-49	62-19-49	310066X
-62	Fiat-Italy	6352-D	Spi., 14"2P	1	310034X	130	62-35-37	62-19-22	"
-63	Fiat-Italy	6453-A	Spi., 14"2P	1	"	130	62-35-33	"	"
-64	Am. LaFrance	6852-M	Spi., 14"2P	2	8019X	158	62-35-58	"	"
-65	Crown Coach	6452	L-R, 14"SP	2	310921X	31	62-35-31	62-19-45	"
-66	Ward LaFrance	6453	Spi., 14"2P	2	8019X	209	62-35-33	62-19-22	310066X
-67	—	6352	L-R, 14"SP	2	310921X	31	62-35-55	62-19-45	"
-68	—	6852-D	Spi., 14"2P	1	310821X	130	62-35-83	62-19-22	"
-69	Cline	6852	Long, 17"SP	1	310802X	187	62-35-72	62-19-50	310735X
-70	Maxim	6852	Spi., 14"2P	1	310821X	212	62-35-36	62-19-22	312671X
-71	Crown Coach	6352	Rock, 14"SP	2	102C-474	—	62-35-75	62-19-34	310066X
-72	Seagrave	6853-B	Spi., 14"2P	1	310821X	212	62-35-36	62-19-22	312671X
-73	—	6852	Spi., 14"2P	1	"	198	"	"	310066X
-74	Seagrave	6452	L-R, 15"SP	2	310921X	35	62-35-35	62-19-25	"
-75	Warner-Swasey	6453	L-R, 15"SP	2	7043X	72	"	"	"
-76	Fred E. Coper	6852	Spi., 14"2P	1	310821X	130	62-35-36	62-19-22	310066X
-77	Peter Pirsch	6852	Spi., 14"2P	2	8019X	133	"	"	"
-78	—	6452	Spi., 14"2P	2	"	112	62-35-33	"	"
-79	DINA (Mex.)	6852	Long, 17"SP	1	310802X	187	62-35-72	62-19-50	310753X
-80	Warner-Swasey	6852	L-R, 15"SP	2	7043X	72	62-35-50	62-19-25	310066X

MODEL 6000
TABULATED BILLS of MATERIAL



Tab No.	Rear Brg. Cap Assy's		Speedometer		(-) Brake Assy See Footnote	Shifter		
	Cap Bushing and Seal	Cap and Bushing	Drive Gear	Driven Gear	End Yoke or Companion Flange	Housing Assembly Pages	Lever & Dome Assy. Pages	Remote Control Pages
	H-2	H-3	B-16	H-8	B-17	36-39	50-53	40-49

300179 (Con't)

-41	—	7116X	—	—	—	310181X	—	310736X
-42	—	"	—	—	—	"	—	"
-43	311069X	311604X	—	—	—	8088X	—	"
-44	—	7116X	—	—	—	310181X	—	"
-45	—	"	—	—	5-1-3141	8088X	—	"
-46	—	7116X	—	—	—	310181X	—	310736X
-47	311069X	311604X	—	—	6-1-2221	"	—	"
-48	—	7116X	—	—	—	"	—	"
-49	—	"	—	—	—	"	—	"
-50	—	"	—	—	6-1-2221	"	—	"
-51	—	7116X	—	—	5-1-3141	310181X	—	310736X
-52	—	"	—	—	—	"	—	"
-53	311069X	311604X	—	—	5-1-3141	8088X	—	"
-54	"	"	—	—	"	310181X	—	"
-55	312590X	310437X	—	—	—	8088X	—	"
-56	—	7116X	—	—	5-1-3151	310181X	—	310736X
-57	—	"	—	—	5-1-3141	8088X	—	"
-58	—	"	—	—	—	"	—	"
-59	311069X	311604X	—	—	—	310181X	—	"
-60	—	7116X	—	—	—	"	—	"
-61	311069X	311604X	—	—	—	310181X	—	310736X
-62	—	7116X	—	—	—	"	—	"
-63	—	"	—	—	—	"	—	"
-64	—	"	—	—	—	"	—	"
-65	—	"	62-452-2	62-452-1	5-1-3151	"	—	"
-66	—	7116X	—	—	—	8088X	—	310736X
-67	—	"	62-452-2	62-452-1	5-1-3151	310181X	—	"
-68	—	"	62-452-3	62-453-4	6-1-2221	"	—	"
-69	—	"	—	—	5-4-1661	310451X	—	—
-70	310210X	310157X	—	—	5-1-278X	8088X	—	310736X
-71	—	7116X	62-452-2	62-452-1	5-1-3151	310181X	—	310736X
-72	310210X	310157X	—	—	5-1-278X	8088X	—	"
-73	—	7116X	—	—	6-1-2221	"	—	"
-74	—	"	—	—	—	"	—	"
-75	—	"	62-452-3	62-453-4	5-1-3141	"	—	"
-76	—	7116X	—	—	—	310181X	—	310736X
-77	—	"	—	—	5-1-3141	"	—	"
-78	—	"	—	—	5-1-3141	"	—	"
-79	—	"	62-452-13	62-453-10	6-4-2361	310451X	—	310886X
-80	—	"	62-452-3	62-453-4	5-1-3141	8088X	—	310736X

Tab No.	Used By	MODEL RATIO	For Use With Clutch	Clutch Housing			Main Drive Gear A-1	Front Bearing Cap F-2	Case Assembly G-1
				S A E	Assembly No. E-2	Rel. Code Pages 58-61			
300179 (Con't)									
-81	—	6352	Spi., 13"2P	2	8019X	154	62-35-37	62-19-22	310066X
-82	Mack	6452	L-R, 15"SP	1	310971X	28	62-35-49	310302X	"
-83	Peter Pirsch	6852	Spi., 14"2P	2	8019X	133	62-35-36	62-19-22	"
-84	Peter Pirsch	6853-B	Spi., 14"2P	2	"	125	"	"	"
-85	Fred E. Cooper	6852-D	Spi., 14"2P	2	"	130	62-35-83	"	"
-86	—	6853-B	Spi., 14"2P	2	8019X	137	62-35-36	62-19-22	310066X
-87	Ambulitter	6453	L-R, 15"SP	2	310921X	41	62-35-35	62-19-49	"
-88	—	6852-E	Spi., 14"2P	2	8019X	—	62-35-83	62-19-22	311238X
-89	FWD	6852	Spi., 14"2P	2	"	—	62-35-36	"	310066X
-90	—	6452-A	Spi., 14"2P	2	"	—	62-35-33	"	311238X
-91	Fred E. Cooper	6352	Spi., 13"2P	1	310821X	130	62-35-37	62-19-22	310066X
-92	Fred E. Cooper	6352	Spi., 13"2P	2	8019X	198	"	"	"
-93	Wstrn Flyer	6453	Long, 15"4A	2	7043X	175	62-35-31	62-19-45	310735X
-94	Maxim	6853-B	Spi., 14"2P	1	310821X	153	62-35-36	62-19-22	8086X
-95	Fred E. Cooper	6352	Spi., 14"2P	—	—	—	62-35-37	"	310066X
-96	Cummins	6452	—	—	—	150	62-35-33	62-19-22	310735X
-97	—	6452	Spi., 14"2P	1	310821X	112	"	"	310066X
-98	—	6852	Spi., 14"2P	2	8019X	130	62-35-36	"	"
-99	—	6853-B	Spi., 14"2P	2	"	125	"	"	"
-100	Seagrave	6452	Spi., 14"2P	1	310821X	208	62-35-33	"	"
-101	White FrtlNr	6852	Spi., 13"2P	2	8019X	137	62-35-36	62-19-22	310066X
-102	—	6853	—	—	310821X	130	"	"	"
-103	Brookville Loco.	6852	Spi., 13"2P	2	8019X	130	"	"	"
-104*	Clev. Trencher	6452	Spi., 14"SP	2	7041X	19	62-35-41	"	"
*5th Speeds Blocked Out, Transmission UNSYNCHRONIZED									
-105	FWD	6452	Spi., 14"2P	2	8019X	153	62-35-33	62-19-22	310066X
-106	DINA (Mex.)	6453	L-R, 14"2P	1	310821X	130	62-35-33	62-19-22	310066X
-107	Peter Pirsch	6852	Spi., 14"2P	2	8019X	133	62-35-36	"	"
-108	Ward LaFrance	6452	Spi., 14"2P	2	62-518-9	111	62-35-33	"	310735X
-109	Peter Pirsch	6852	Spi., 14"2P	2	8019X	200	62-35-36	"	310066X
-110	Peter Pirsch	6853-B	Spi., 14"2P	2	"	196	"	"	"
-111	—	6852	Spi., 14"2P	2	8019X	133	62-35-36	62-19-22	310066X
-112	Cline	6852	Long, 17"SP	1	310802X	187	62-35-72	62-19-50	310735X
-113	Seagrave	6352	L-R, 15"SP	2	310921X	35	62-35-34	62-19-25	310066X
-114	—	6453	Spi., 14"2P	2	8019X	208	62-35-33	62-19-22	"
-115	Mach	6452	L-R, 15"SP	1	310971X	44	62-35-49	310302X	311487X
-116	DINA (Mex.)	6852-Q	Long, 17"SP	1	310802X	187	62-35-79	62-19-50	310735X
-117	Harnischfeger	6453-A	L-R, 15"SP	1	310971X	34	62-35-35	62-19-25	310066X
-118	Ward LaFrance	6453	L-R, 15"SP	2	310921X	100	62-35-31	62-19-45	310735X
-119	Seagrave	6853	L-R, 15"SP	2	"	35	62-35-50	62-19-25	310066X
-120	Napco	6853-K	Long, 17"SP	1	310753X	38	62-35-65	62-19-64	"

MODEL 6000
TABULATED BILLS of MATERIAL



Tab No.	Rear Brg. Cap Assy's		Speedometer		(-) Brake Assy See Footnote	Shifter		
	Cap Bushing and Seal H-2	Cap and Bushing H-3	Drive Gear B-16	Driven Gear H-8	End Yoke or Companion Flange B-17	Housing Assembly Pages 36-39	Lever & Dome Assy. Pages 50-53	Remote Control Pages 40-49

300179 (Con't)

-81	—	7116X	62-452-3	62-453-4	6-1-2221	310181X	—	310736X
-82	310210X	310157X	—	—	6-1-2401X	"	—	"
-83	—	7116X	—	—	5-1-3141	"	—	"
-84	—	"	—	—	"	8088X	—	"
-85	—	"	62-452-3	62-453-4	6-1-2221	310181X	—	"
-86	—	7116X	62-452-3	62-453-4	5-1-3141	310181X	—	310736X
-87	312590X	310437X	—	—	5-1-3151	"	—	"
-88	—	7116X	62-452-7	—	—	"	—	"
-89	—	"	62-452-3	62-453-5	—	8088X	—	"
-90	—	"	—	—	—	310181X	—	"
-91	—	7116X	62-452-3	62-453-4	6-1-2221	310181X	—	310736X
-92	—	"	"	"	"	8088X	—	"
-93	312590X	310437X	—	—	4-1-3841	310181X	—	310438X
-94	310210X	310157X	—	—	6-1-2391	"	—	310736X
-95	—	7116X	62-452-3	62-453-4	6-1-2221	"	—	"
-96	—	7116X	62-452-13	62-453-10	6-4-2361	310451X	—	310886X
-97	—	"	62-452-3	62-453-5	"	310181X	—	310736X
-98	—	"	"	"	"	"	—	"
-99	—	"	—	—	5-1-3151	8088X	—	"
-100	—	"	—	—	—	"	—	"
-101	—	7116X	62-452-3	62-453-5	5-1-3141	310181X	—	310736X
-102	—	"	"	"	6-4-2361	"	—	"
-103	—	"	—	—	6-1-2221	"	—	"
-104	—	"	—	—	5-1-3141	—	—	"
-105	—	7116X	62-452-3	62-453-5	—	310181X	—	310736X
-106	310210X	310157X	—	—	6-1-2401X	310181X	—	310736X
-107	—	7116X	—	—	6-1-2261	"	—	"
-108	—	"	—	—	—	"	—	"
-109	311069X	311604X	—	—	5-1-3141	310451X	—	310736-2X
-110	"	"	—	—	"	312012X	—	"
-111	311069X	311604X	—	—	6-1-2261	310451X	—	310736-2X
-112	—	7116X	62-452-13	62-453-10	5-4-1661	"	—	310886X
-113	—	"	—	—	—	8088X	—	310736X
-114	—	"	—	—	—	"	—	"
-115	310210X	310157X	62-452-3	62-453-7	6-1-2401X(14)	"	—	"
-116	—	7116X	62-452-13	62-453-10	6-4-2361	310451X	—	310886X
-117	—	"	62-452-3	62-453-5	5-1-3151	8088X	—	310736X
-118	—	"	—	—	—	310181X	—	"
-119	—	"	—	—	—	8088X	—	"
-120	311069X	311604X	—	—	6-1-2221	"	—	"

(14) 310999 Bendix Brake furnished as an Assembly only. See Pages 34-35

Tab No.	Used By	MODEL RATIO	For Use With Clutch	Clutch Housing			Main Drive Gear A-1	Front Bearing Cap F-2	Case Assembly G-1
				S A E	Assembly No. E-2	Rel. Code Pages 58-61			
300179 (Con't)									
-121	Ward LaFrance	6452	L-R, 15"SP	2	310921X	100	62-35-31	62-19-45	310066X
-122	White Frltnr	6352	L-R, 14"SP	2	"	31	62-35-55	"	"
-123	Hyster	6452-D	Spi., 14"2P	2	8019X	131	62-35-33	"	"
-124	Ward LaFrance	6453	L-R, 15"SP	2	310921X	100	62-35-31	"	"
-125	—	6852	Spi., 14"2P	2	8019X	133	62-35-36	62-19-22	"
-126	Ward LaFrance	6453	Spi., 14"2P	2	8019X	145	62-35-33	62-19-22	310735X
-127	Madsen	6853	L-R, 14"SP	2	310921X	109	62-35-54	62-19-45	310066X
-128	Crown Coach	6352	L-R, 15"SP	2	"	31	62-35-34	62-19-25	"
-129	Gillig Bros.	6852	L-R, 14"SP	1	312057X	33	62-35-95	"	"
-130	Crown Coach	6853	Long, 17"SP	1	310802X	31	62-35-65	62-19-64	"
-131	—	6852	Spi., 14"2P	2	8019X	146	62-35-36	62-19-22	310735X
-132	—	6352	L-R, 14"SP	2	310921X	31	62-35-55	62-19-45	310066X
-133	Maron-Har'ton	6352	Spi., 14"2P	2	8019X	155	62-35-37	62-19-22	311487X
-134	—	6853	L-R, 14"2P	1	310802X	28	62-35-65	62-19-50	310066X
-135	—	6852-Q	Spi., 14"2P	1	8019X	146	62-35-83	62-19-22	310735X
-136	—	6852	Long, 17"SP	1	310753X	38	62-35-65	62-19-64	310735X
-137	Chrysler	6452-A	Spi., 14"2P	2	310821X	129	62-35-33	62-19-22	311012X
-138	Warner-Swasey	6453	Spi., 14"2P	2	8019X	208	"	"	310066X
-139	Prevost	6852	Long, 17"SP	1	310802X	88	62-35-65	62-19-64	"
-140	FWD	6853-B	L-R, 15"SP	2	310921X	35	62-35-50	62-19-25	"
-141	FWD	6853-B	Spi., 13"2P	2	8019X	142	62-35-36	62-19-22	310066X
-142	Warner-Swasey	6852	Spi., 14"2P	2	"	208	62-35-36	"	"
-143	—	6853	L-R, 15"SP	1	310971X	26	62-35-50	62-19-25	"
-144	—	6453-A	L-R, 15"SP	1	"	29	62-35-49	310302X	"
-145	Gillig Bros.	6352	L-R, 15"SP	2	311883X	37	62-35-66	62-19-25	"
-146	—	6452-A	Spi., 13"2P	2	311258X	168	62-35-31	62-19-45	310066X
-147	—	6453-A	Spi., 14"2P	1	310821X	197	62-35-33	62-19-22	311788X
-148	—	6853-A	Spi., 14"2P	2	8019X	128	62-35-36	"	310066X
-149	—	6853-A	L-R, 17"TC	1	310753X	96	62-35-65	62-19-64	"
-150	—	6452	L-R, 15"SP	1	310971X	28	62-35-49	310302X	311681X
-151	—	6852-G	Spi., 14"2P	1	310821X	130	62-35-73	62-19-22	310066X
-152	Chrysler	6452-A	Spi., 14"2P	1	"	129	62-35-33	"	311012X
-153	—	6352	Spi., 13"2P	1	"	130	62-35-37	"	310066X
-154	—	6452	—	2	8019X	193	62-35-33	"	"
-155	—	6853-B	—	2	"	154	62-35-36	"	"
-156	—	6853-B	Spi., 14"2P	2	8019X	125	62-35-36	62-19-22	310735X
-157	FWD	6852	—	2	310921X	35	62-35-50	62-19-25	310066X
-158	—	6352	Spi., 14"2P	3	7969X	23	62-35-91	62-19-22	310735X
-159	—	6852-F	Spi., 14"2P	1	310821X	137	62-35-58	"	310066X
-160*	—	6452-D	Spi., 14"2P	2	8019X	131	62-35-33	62-19-61	"

*Reversed Blocked Out

MODEL 6000 TABULATED BILLS of MATERIAL

Tab No.	Rear Brg. Cap Assy's		Speedometer		(-) Brake Ass'y See Footnote	Shifter		
	Cap Bushing and Seal H-2	Cap and Bushing H-3	Drive Gear B-16	Driven Gear H-8	End Yoke or Companion Flange B-17	Housing Assembly Pages 36-39	Lever & Dome Assy. Pages 50-53	Remote Control Pages 40-49
300179 (Con't)								
-121	—	7116X	—	—	—	8088X	—	310736X
-122	—	"	—	—	—	"	—	"
-123	—	"	62-452-3	—	—	310451X	—	310736X
-124	—	"	—	—	—	8088X	—	"
-125	311069X	311604X	—	—	6-1-2221	310451X	—	"
-126	—	7116X	—	—	—	8088X	—	310736X
-127	—	"	62-452-3	62-453-4	5-1-3151	312694X	—	310789X
-128	—	"	62-452-2	62-452-1	"	8088X	—	310736X
-129	—	"	62-452-3	62-453-5	6-1-2251	"	—	310736-2X
-130	—	"	62-452-2	62-452-1	"	"	—	310736X
-131	—	7116X	62-452-13	62-453-10	6-4-2361	310451X	—	310886X
-132	—	"	—	—	5-4-1661	8088X	—	310736X
-133	310210X	310157X	—	—	5-1-3271	"	—	"
-134	—	7116X	—	—	6-4-2361	"	—	"
-135	—	"	62-452-13	62-453-10	"	310451X	—	310886X
-136	—	7116X	62-452-3	—	6-1-2221	8088X	—	310736X
-137	—	"	—	—	—	"	—	"
-138	—	"	62-452-3	—	5-1-3141	"	—	"
-139	—	"	—	—	6-1-2221	"	—	"
-140	—	"	—	—	—	"	—	"
-141	—	7116X	—	—	—	8088X	—	310736X
-142	—	"	62-452-3	62-453-5	5-1-3141	"	—	"
-143	—	"	—	—	—	"	—	311569X
-144	311069X	311604X	—	—	5-1-3141	"	—	310736X
-145	—	7116X	—	—	"	312012X	—	310736-3X
-146	—	7116X	62-452-6	—	5-1-3151	8088X	—	310736X
-147	—	"	—	—	—	"	—	311748X
-148	—	"	62-452-3	62-453-4	5-1-3141	"	—	310736X
-149	—	"	"	62-453-5	5-1-3191	"	—	"
-150	310210X	310157X	"	62-453-7	6-1-2401X(14)	"	—	"
-151	—	7116X	—	—	—	8088X	—	310736X
-152	—	"	—	—	—	"	—	311748X
-153	—	"	62-452-2	62-452-1	6-1-2221	"	—	310736X
-154	—	"	—	—	—	"	—	"
-155	—	"	62-452-3	62-453-5	—	"	—	"
-156	311069X	311604X	—	—	5-1-3141	310451X	—	—
-157	—	7116X	—	—	—	8088X	—	310736X
-158	—	"	—	—	—	"	—	"
-159	—	"	62-452-6	62-453-9	6-1-2261	"	—	"
-160	311069X	311604X	—	—	—	310451X	—	"

(14) 310999 Bendix Brake furnished as an Assembly only. See Pages 34-35

Tab No.	Used By	MODEL RATIO	For Use With Clutch	Clutch Housing			Main Drive Gear A-1	Front Bearing Cap F-2	Case Assembly G-1
				S A E	Assembly No. E-2	Rel. Code Pages 58-61			
300179 (Con't)									
-161	—	6452	—	1	310971X	28	62-35-49	310302X	311448X
-162	—	6453	L-R, 15"SP	2	310921X	35	62-35-35	62-19-25	311487X
-163	—	6852	L-R, 14"2P	1	310802X	40	62-35-65	62-19-64	310735X
-164	—	6852	L-R, 14"2P	2	310475X	89	"	"	310066X
-165	—	6853-B	Spi., 14"2P	2	8019X	125	62-35-36	62-19-22	310735X
-166	—	6453-A	Spi., 14"2P	2	8019X	154	62-35-36	62-19-22	8086X
-167*	—	6853-K	—	—	—	—	62-35-94	—	62-15-51
*Reversed Blocked Out									
-168	—	6453-A	Spi., 14"2P	1	7043X	62	62-35-31	62-19-45	310066X
-169	—	6452	L-R, 15"SP	2	310921X	35	62-35-35	62-19-25	"
-170	—	6853	Spi., 14"2P	1	310821X	130	62-35-36	62-19-22	"
-171	—	6853	Spi., 14"2P	2	8019X	130	62-35-36	62-19-22	310066X
-172	—	6452	Spi., 14"2P	2	"	145	62-35-33	"	"
-173	—	6453-A	Spi., 14"2P	2	310821X	137	"	310729X	310735X
-174	—	6852	—	2	311939X	62	62-35-65	62-19-64	310066X
-175	—	6852	L-R, 17"SP	1	310753X	109	"	"	310735X
-176	—	6852	L-R, 15"SP	2	310921X	84	62-35-54	62-19-45	310066X
-177*	Clev. Trencher	6452	Spi., 14"2P	2	8019X	190	62-35-33	62-19-22	"
*5th Speeds Blocked Out, Transmission UNSYNCHRONIZED									
-178	—	6852	L-R, 14"2P	2	311939X	67	62-35-65	62-19-64	"
-179	—	6853-A	Spi., 14"2P	1	310821X	154	62-35-36	62-19-22	"
-180	—	6852	Spi., 14"2P	1	310814X	11	"	"	"
-181	—	6453	Long, 15"SP	2	310921X	36	62-35-31	62-19-45	310066X
-182	—	6352	Spi., 14"2P	2	8019X	120	62-35-37	62-19-22	310735X
-183	—	6853	—	2	"	198	62-35-36	"	310066X
-184	—	6853-B	L-R, 15"SP	2	310921X	35	62-35-50	62-19-25	8086X
-185	—	6352	L-R, 14"2P	2	"	35	62-35-55	62-19-45	310735X
-186	—	6453	L-R, 15"DP	2	310921X	37	62-35-49	62-19-25	310066X
-187	—	6453	—	1	310971X	35	62-35-35	"	"
-188	—	6852-K	—	2	8019X	208	62-35-73	62-19-22	"
-189	—	6452	L-R, 15"SP	1	310971X	28	62-35-49	310302X	"
-190	—	6352	—	2	310939X	37	62-35-86	62-19-64	"
-191	—	6853	L-R, 14"2P	2	8019X	125	62-35-36	62-19-22	310735X
-192	—	6452	—	2	"	193	62-35-33	"	310066X
-193	—	6852	—	1	310802X	24	62-35-65	62-19-50	"
-194	—	6853-A	L-R, 14"2P	1	310821X	148	62-35-36	62-19-22	8086X
-195	—	6853-C	L-R, 14"2P	1	"	137	62-35-83	"	310066X
-196	—	6352	L-R, 14"2P	2	8019X	154	62-35-37	62-19-22	310735X
-197	—	6853	—	2	102C-474	—	62-35-87	62-19-34	310066X
-198	—	6853-A	—	2	8019X	208	62-35-36	62-19-22	"
-199	—	6852	—	2	"	198	"	"	"
-200	—	6452	—	2	310921X	35	62-35-35	62-19-25	"

MODEL 6000
TABULATED BILLS of MATERIAL



Tab No.	Rear Brg. Cap Assy's		Speedometer		(—) Brake Ass'y See Footnote	Shifter		
	Cap Bushing and Seal	Cap and Bushing	Drive Gear	Driven Gear	End Yoke or Companion Flange	Housing Assembly Pages	Lever & Dome Assy. Pages	Remote Control Pages
	H-2	H-3	B-16	H-8	B-17	36-39	50-53	40-49

300179 (Con't)

-161	311069X	311604X	—	—	5-1-3141	8088X	—	310736X
-162	310210X	310157X	—	—	—	"	—	"
-163	—	7116X	—	—	—	"	—	"
-164	—	"	—	—	6-1-2221	"	—	"
-165	311069X	311604X	—	—	"	310451X	—	310736-2X
-166	310210X	310157X	—	—	5-1-278X	8088X	—	310736X
-167	—	—	—	—	—	311020X	—	"
-168	—	7116X	—	—	—	8088X	—	310736X
-169	—	"	—	—	—	"	—	—
-170	—	"	—	—	—	"	—	310736X
-171	—	7116X	62-452-3	62-453-5	6-4-2361	8088X	—	310736X
-172	—	"	—	—	—	"	—	"
-173	311069X	311604X	—	—	6-4-2361	"	—	"
-174	—	7116X	—	—	6-1-2221	"	—	"
-175	—	"	62-452-3	62-453-4	5-1-3151	310451X	—	310789X
-176	311069X	311604X	—	—	—	8088X	—	311569X
-177	—	7116X	—	—	5-1-3141	312435X	—	310736X
-178	—	7116X	—	—	—	8088X	—	310736X
-179	—	"	62-452-3	62-453-5	—	"	—	"
-180	—	"	—	—	—	"	—	311732X
-181	—	7116X	—	—	5-1-3141	310451X	—	310789X
-182	—	"	—	—	—	8088X	—	310736X
-183	—	"	—	—	—	"	—	"
-184	310210X	310157X	—	—	—	"	—	"
-185	—	7116X	—	—	—	"	—	—
-186	—	7116X	—	—	4-1-3141	8088X	—	310736-2X
-187	—	"	62-452-3	62-453-4	"	"	—	310736X
-188	—	"	"	62-453-5	"	"	—	"
-189	311069X	311604X	—	—	6-1-2221	"	—	"
-190	—	7116X	—	—	—	"	—	"
-191	311069X	311604X	—	—	5-1-3141	310451X	—	310736-2X
-192	—	7116X	62-452-3	62-453-4	"	8088X	—	310736X
-193	—	"	"	62-453-5	6-1-2251	"	—	"
-194	310210X	310157X	—	—	6-1-2801X	"	—	"
-195	—	7116X	—	—	—	"	—	"
-196	311069X	311604X	—	—	6-1-2261	310451X	—	310736-2X
-197	—	7116X	—	—	6-1-2221	8088X	—	310736X
-198	—	"	—	—	—	"	—	"
-199	—	"	—	—	5-1-3141	"	—	"
-200	—	"	62-452-3	62-453-4	"	"	—	"

Tab No.	Used By	MODEL RATIO	For Use With Clutch	Clutch Housing			Main Drive Gear A-1	Front Bearing Cap F-2	Case Assembly G-1
				S A E	Assembly No. E-2	Rel. Code Pages 58-61			
300179 (Con't)									
-201	—	6853-A	L-R, 14"2P	2	311939X	67	62-35-65	62-19-64	310066X
-202	—	6853-A	L-R, 14"2P	2	310821X	142	62-35-36	62-19-22	"
-203	—	6853-A	—	2	8019X	207	"	"	"
-204	—	6853	L-R, 15"SP	2	310921X	27	62-35-54	62-19-45	"
-205	—	6852	—	1	310821X	212	62-35-36	62-19-22	"
-206	—	6853-A	—	1	311699X	76	62-35-65	62-19-64	310066X
-207	—	6852-R	—	2	311939X	109	"	"	"
-208	—	6852	—	1	310821X	194	62-35-36	62-19-22	"
-209	—	6853-B	—	1	"	81	"	"	311681X
-210	—	6852-C	—	2	312283X	35	62-35-50	62-19-25	310066X
-211	—	6452	—	1	310821X	193	62-35-33	62-19-22	310066X
-212	—	6853	L-R, 15"SP	2	310921X	27	62-35-50	62-19-25	"
-213	—	6453-A	—	2	8019X	209	62-35-33	62-19-22	"
-214	—	6852	—	1	311699X	100	62-35-65	62-19-64	"
-215	—	6852-F	—	1	310821X	201	62-35-58	62-19-22	"
-216	—	6852-F	—	2	8019X	201	62-35-58	62-19-22	310066X
-217	—	6852-F	—	1	311847X	—	62-35-92	62-19-64	"
-218	—	6352	—	2	311939X	109	62-35-86	"	"
-219	—	6852	—	1	310821X	212	62-35-36	62-19-22	311448X
-220	—	6853-C	—	1	311699X	100	62-35-79	62-19-64	310066X
-221	—	6852	—	2	102C-474	—	62-35-87	62-19-34	310066X
-222	—	6853-D	—	—	—	—	62-35-36	62-19-22	"
-223	—	6853-B	—	1	310821X	200	"	"	"
-224	—	6453	—	2	310921X	100	62-35-31	62-19-45	"
300207									
-1	Van Doorne	6352	Rock, 15"SP	2	102C-509	—	62-35-45	310302X	310503X
-2	Van Doorne	6352	Rock, 15"SP	2	"	—	"	"	"
300212									
-1	—	6854-F	Spi., 14"2P	1	310613X	160	62-35-58	62-19-22	310728X
-2	Ambulitter	6454	Rock, 14"SP	2	102C-474	—	62-35-74	62-19-34	310441X

T210-6000

MODEL 6000
TABULATED BILLS of MATERIAL



Tab No.	Rear Brg. Cap Assy's		Speedometer		(-) Brake Assy See Footnote	Shifter		
	Cap Bushing and Seal H-2	Cap and Bushing H-3	Drive Gear B-16	Driven Gear H-8	End Yoke or Companion Flange B-17	Housing Assembly Pages 36-39	Lever & Dome Assy. Pages 50-53	Remote Control Pages 40-49
300179 (Con't)								
-201	—	7116X	—	—	—	310159X	—	310736X
-202	—	"	62-452-3	62-453-4	5-1-3141	8088X	—	—
-203	—	"	"	"	6-1-2221	"	—	"
-204	311069X	311604X	—	—	—	"	—	"
-205	—	7116X	62-452-3	62-453-5	—	"	—	"
-206	—	7116X	—	—	—	8088X	—	310736X
-207	—	"	62-452-3	62-453-4	5-1-3151	"	—	"
-208	—	"	"	62-453-5	6-1-2251	312012X	—	310736-3X
-209	310210X	310157X	—	—	6-1-2401X	8088X	—	310736X
-210	—	7116X	62-452-3	62-453-5	5-1-3141	312012X	—	310736-3X
-211	—	7116X	62-452-3	62-453-4	5-1-3141	8088X	—	310736X
-212	—	"	—	—	—	"	—	"
-213	—	"	—	—	—	"	—	"
-214	—	"	—	—	—	"	—	"
-215	—	"	62-452-3	62-453-4	6-1-2221	"	—	"
-216	—	7116X	62-452-3	62-453-4	6-1-2221	8088X	—	310736X
-217	—	"	—	—	"	"	—	—
-218	—	"	62-452-3	62-453-4	"	"	—	310736X
-219	—	"	—	—	—	"	—	"
-220	—	"	—	—	—	"	—	"
-221	—	7116X	—	—	6-1-2221	8088X	—	310736X
-222	—	"	62-452-3	62-453-4	6-1-2251	"	—	"
-223	311069X	311604X	—	—	5-1-3141	312012X	—	310736-2X
-224	—	7116X	—	—	—	8088X	—	310736X
300207								
-1	—	62-19-43	—	—	6-1-198X	310159X	—	310736X
-2	—	"	—	—	"	"	—	"
300212								
-1	—	7116X	—	—	6-1-2221	310159X	—	310736X
-2	—	310437X	—	—	5-1-3151	"	—	"

Tab No.	Used By	MODEL RATIO	For Use With Clutch	Clutch Housing			Main Drive Gear A-1	Front Bearing Cap F-2	Case Assembly G-1
				S A E	Assembly No. E-2	Rel. Code Pages 58-61			
300215									
-1	IHC	6352	—	2	62-518-8	—	62-35-75	62-19-34	8086X
-2	IHC	6453	—	2	"	—	62-35-74	"	"
-3	IHC	6352	—	2	"	—	62-35-75	"	"
-4	IHC	6352	—	2	"	—	62-35-82	"	310066X
-5	IHC	6852-C	Rock, 14"SP	2	102C-474	—	62-35-87	"	"
-6	IHC	6352	Rock, 14"SP	2	102C-474	—	62-35-75	62-19-34	310066X
-7	IHC	6352	Spi., 14"2P	2	8019X	—	62-35-37	62-19-22	"
-8	IHC	6852-C	Spi., 14"2P	2	"	198	62-35-36	"	"
-9	IHC	6452	—	2	102C-474	—	62-35-111	62-19-34	"
-10	IHC	6352	—	2	62-518-8	—	62-35-82	"	"
-11	IHC	6352	Rock	2	102C-474	—	62-35-82	62-19-34	311545X
-12	IHC	6352	Rock	2	"	—	"	"	310066X
-13	IHC	6853-C	Spi., 14"2P	1	310821X	—	62-35-83	62-19-22	"
-14	IHC	6852-E	—	2	102C-474	—	62-35-88	62-19-73	"
-15	IHC	6852-E	—	1	310821X	—	62-35-83	62-19-22	"
-16	IHC	6852-G	—	2	102C-474	—	62-35-113	62-19-34	310066X
-17	IHC	6852-G	—	2	8019X	—	62-35-73	62-19-22	"
-18	IHC	6853-C	—	2	102C-474	—	62-35-88	62-19-73	"
-19	IHC	6852-G	—	1	310821X	—	62-35-73	62-19-22	"
-20	IHC	6852-G	—	1	"	—	"	"	"
-21	IHC	6853-C	—	1	310821X	—	62-35-83	62-19-22	310066X
-22	IHC	6853-C	—	2	8019X	—	"	"	"
-23	IHC	6853-C	—	1	310821X	—	"	"	"
-24	IHC	6352	—	2	102C-474	—	62-35-82	62-19-34	"
-25	IHC	6852-K	—	1	310821X	—	62-35-73	62-19-22	"
-26	IHC	6352-B	—	2	102C-474	—	62-35-75	62-19-34	310066X
-27	IHC	6852-G	—	2	"	—	62-35-80	"	"
-28	IHC	6852-S	—	1	310821X	—	62-35-83	62-19-22	"
-29	IHC	6852-G	—	2	8019X	—	62-35-73	"	"
300216									
-1	—	6852	—	—	—	—	62-35-76	62-19-59	62-15-33
-2	Chrysler	6852-G	Rock, 15"SP	2	7043X	—	62-35-77	62-19-45	311788X
-3	Cummins	6453-A	L-R, 15"ML	2	310921X	88	62-35-35	62-19-25	310498X
-4	Chrysler	6852-G	Rock, 15"SP	—	—	—	62-35-77	62-19-45	311012X
-5	Brockway	6853-C	L-R, 14"2P	1	310753X	30	62-35-79	62-19-36	8086X
-6	—	6352-A	Rock, 14"TT	2	7046X	—	62-35-55	62-19-45	311238X
-7	IHC	6352	Spi., 14"2P	1	310821X	—	62-35-37	62-19-22	310066X
-8	—	6853	L-R, 15"DP	2	310921X	91	62-35-50	62-19-25	"
-9	—	6853-C	Long, 14"SP	2	311258X	—	62-35-90	62-19-45	311765X
-10	Chrysler	6352	—	2	7043X	—	62-35-55	"	311788X
-11	—	6352-B	—	2	7046X	—	62-35-55	62-19-45	311788X
-12	—	6852-G	—	2	"	—	62-35-77	"	"
-13	—	6453	—	2	310921X	67	62-35-35	62-19-25	310498X
-14	Chrysler	6352-A	—	2	7046X	—	62-35-55	62-19-45	311788X
-15	Chrysler	6452-A	—	2	"	—	62-35-31	"	62-15-64-1X
-16	Chrysler	6352-A	Rock, 14"TT	2	"	—	62-35-55	"	"
-17	IHC	6452-A	—	2	311939X	56	62-35-81	62-19-64	311487X
-18	Chrysler	6452-B	—	2	7046X	—	62-35-31	62-19-45	311788X

MODEL 6000
TABULATED BILLS of MATERIAL



Tab No.	Rear Brg. Cap Assy's		Speedometer		(-) Brake Assy See Footnote	Shifter		
	Cap Bushing and Seal	Cap and Bushing	Drive Gear	Driven Gear	End Yoke or Companion Flange	Housing Assembly Pages	Lever & Dome Assy. Pages	Remote Control Pages
	H-2	H-3	B-16	H-8	B-17	36-39	50-53	40-49

300215

-1	310210X	310157X	—	—	—	310930X	—	310929X
-2	"	"	—	—	—	"	—	"
-3	"	"	—	—	—	8091X	—	—
-4	—	7116X	62-452-5	—	—	—	311064X	—
-5	311069X	311604X	—	—	—	312011X	—	—
-6	311069X	311604X	—	—	—	311652X	—	—
-7	"	"	—	—	—	312011X	—	—
-8	"	"	—	—	—	311652X	—	—
-9	"	"	62-452-5	—	—	311020X	—	—
-10	—	7116X	"	—	—	312022X	—	—
-11	311069X	311604X	—	—	—	311652X	—	—
-12	"	"	—	—	—	311020X	311704-5X	—
-13	—	7116X	—	—	—	311652X	—	—
-14	311069X	311604X	—	—	—	"	—	—
-15	—	7116X	—	—	—	312011X	—	—
-16	311069X	311604X	—	—	—	312011X	—	—
-17	—	7116X	—	—	—	"	—	—
-18	311069X	311604X	—	—	—	311652X	—	—
-19	"	"	—	—	—	312011X	—	—
-20	"	"	—	—	—	311020X	312176X	—
-21	—	7116X	—	—	—	311652X	—	—
-22	—	"	—	—	—	"	311704-6X	—
-23	—	"	—	—	—	"	312176X	—
-24	311069X	311604X	—	—	—	311020X	311704-7X	—
-25	—	7116X	—	—	—	312011X	—	—
-26	—	7116X	62-452-5	—	—	311020X	311200X	—
-27	311069X	311604X	—	—	—	"	311704-5X	—
-28	—	7116X	—	—	—	312011X	—	—
-29	—	"	—	—	—	311652X	311704-1X	—

300216

-1	—	7116X	—	—	—	311020X	310104X	—
-2	—	"	—	—	—	"	—	—
-3	—	"	—	—	5-1-3141(2)	"	8091X	—
-4	—	"	—	—	—	—	—	—
-5	310210X	310157X	62-452-3	62-453-4	6-1-2801X	311020X	310486-5X	—
-6	—	7116X	62-452-7	—	—	311020X	311483X	—
-7	—	"	—	—	—	"	311483-1X	—
-8	—	"	62-452-3	62-453-4	5-1-3141	"	310083X	—
-9	—	"	62-452-6	—	—	"	—	—
-10	—	"	—	—	—	"	—	—
-11	—	7116X	—	—	—	311020X	—	—
-12	—	"	—	—	—	"	—	—
-13	—	"	62-452-3	62-453-4	5-1-3141	"	310104X	—
-14	—	"	—	—	—	"	—	—
-15	—	"	—	—	—	"	—	—
-16	—	"	—	—	—	"	—	—
-17	310210X	310157X	62-452-3	62-453-4	6-1-2801X	"	310083X	—
-18	—	7116X	—	—	—	"	—	—

(2) 5400-2X Brake Assembly, See Pages 34-35

Tab No.	Used By	MODEL RATIO	For Use With Clutch	Clutch Housing			Main Drive Gear A-1	Front Bearing Cap F-2	Case Assembly G-1
				S A E	Assembly No. E-2	Rel. Code Pages 58-61			
300225									
-1	GMC	6853-C	L-R, 2P	2	310475X	—	62-35-56	—	311848X
-2	GMC	6852-D	L-R, 2P	2	"	—	"	—	"
-3	GMC	6852-E	L-R, 2P	2	"	—	"	—	"
-4	Wichita	6852-G	L-R, 2P	2	"	—	62-35-63	—	"
300228									
-1	Chrysler	6452-A	Spi., 14"2P	1	310821X	127	62-35-33	62-19-22	311788X
-2	Chrysler	6453-A	Spi., 14"2P	1	"	127	"	"	"
-3	Chrysler	6452-A	—	—	—	—	"	"	62-15-64-1X
-4	Chrysler	6453-A	—	—	—	—	"	"	311012X
-5	Chrysler	6352-B	—	—	—	—	62-35-55	62-19-45	"
-6	Chrysler	6453-A	Spi., 14"2P	1	310821X	127	62-35-33	62-19-22	311182X
-7	Chrysler	6452-A	Spi., 14"2P	1	"	127	"	"	"
-8	Chrysler	6452-A	Spi., 14"2P	1	"	127	"	"	311788X
-9	Chrysler	6453-A	Spi., 14"2P	1	"	127	"	"	"
-10	Chrysler	6452-A	Spi., 14"2P	2	8019X	127	"	"	311012X
-11	Chrysler	6452-A	Spi., 14"2P	1	310821X	—	62-35-33	62-19-22	311788X
-12	Chrysler	6453-A	Spi., 14"2P	1	"	—	"	"	"
-13	Chrysler	6853-C	—	1	"	—	62-35-83	"	"
-14	Chrysler	6853-C	Spi., 14"2P	1	"	127	"	"	"
-15	Chrysler	6852-G	—	1	"	—	62-35-73	"	"
300265									
-1	Ford	6352	Spi., 14"2P	2	8005X	—	62-35-37	62-19-22	311250X
-2	Ford	6452-C	Spi., 14"2P	2	"	—	62-35-33	"	"
-3	Ford	6453-C	Spi., 14"2P	2	"	—	"	"	"
-4	Ford	6852-G	Spi., 14"2P	2	"	—	62-35-73	"	"
-5	Ford	6452-A	Spi., 14"2P	2	"	—	62-35-33	"	"
-6	Ford	6352-B	Spi., 14"2P	2	8005X	—	62-35-37	62-19-22	311250X
-7	Ford	6352	Spi., 14"2P	2	"	3	"	"	"
-8	Ford	6852-E	Spi., 14"2P	2	"	—	62-35-83	"	"
-9	Ford	6352	Spi., 14"2P	2	"	—	62-35-37	"	311633X
-10	Ford	6453-A	—	2	"	—	62-35-33	"	"
-11	Ford	6852-G	—	2	8005X	—	62-35-73	62-19-22	311633X
-12	Ford	6452-A	—	2	"	—	62-35-33	"	"
-13	Ford	6352-B	—	2	"	—	62-35-37	"	"
-14	Ford	6852-K	—	2	"	—	62-35-73	"	311250X
-15	Ford	6352	—	2	"	—	62-35-86	62-19-64	312043X
-16	Ford	6352-B	—	2	7041X	—	62-35-40	62-19-22	311250X
300315									
-1	Ford	6354	Spi., 14"2P	2	8005X	—	62-35-37	62-19-22	311359X
-2	Ford	6454C	Spi., 14"2P	2	"	—	62-35-33	"	"
-3	Ford	6455-A	Spi., 14"2P	2	"	—	"	"	"
-4	Ford	6854-G	Spi., 14"2P	2	"	—	62-35-73	"	"
-5	Ford	6454-A	Spi., 14"2P	2	"	—	62-35-33	"	"
-6	Ford	6354-B	Spi., 14"2P	2	"	—	62-35-37	"	"

T210-6000

MODEL 6000
TABULATED BILLS of MATERIAL



Tab No.	Rear Brg. Cap Assy's		Speedometer		(-) Brake Ass'y See Footnote	Shifter		
	Cap Bushing and Seal H-2	Cap and Bushing H-3	Drive Gear B-16	Driven Gear H-8	End Yoke or Companion Flange B-17	Housing Assembly Pages 36-39	Lever & Dome Assy. Pages 50-53	Remote Control Pages 40-49
300225								
-1	310210X	310157X	62-452-9	62-453-8	6-1-2801X	311002X	---	---
-2	"	"	"	"	"	311003X	---	---
-3	"	"	"	"	"	"	---	---
-4	"	"	"	"	"	"	---	---
300228								
-1	---	7116X	---	---	---	8008X	311034X	---
-2	---	"	---	---	---	"	"	---
-3	---	"	---	---	---	---	---	---
-4	---	"	---	---	---	---	---	---
-5	---	"	---	---	---	---	---	---
-6	310210X	310157X	---	---	---	8088X	311034X	---
-7	"	"	---	---	---	"	"	---
-8	---	7116X	---	---	---	"	"	---
-9	---	"	---	---	---	"	"	---
-10	---	"	---	---	---	"	"	---
-11	---	7116X	---	---	---	312553X	---	---
-12	---	"	---	---	---	"	---	---
-13	---	"	---	---	---	8088X	---	---
-14	---	"	---	---	---	"	311034X	---
-15	---	"	---	---	---	"	---	---
300265								
-1	---	---	---	---	---	---	---	---
-2	---	---	---	---	---	---	---	---
-3	---	---	---	---	---	---	---	---
-4	---	---	---	---	---	---	---	---
-5	---	---	---	---	---	---	---	---
-6	---	---	---	---	---	---	---	---
-7	---	---	---	---	---	---	---	---
-8	---	---	---	---	---	---	---	---
-9	---	---	---	---	---	---	---	---
-10	---	---	---	---	---	---	---	---
-11	---	---	---	---	---	---	---	---
-12	---	---	---	---	---	---	---	---
-13	---	---	---	---	---	---	---	---
-14	---	---	---	---	---	---	---	---
-15	---	7116X	---	---	---	---	---	---
-16	---	---	---	---	---	---	---	---
300315								
-1	---	---	---	---	---	311024X	---	---
-2	---	---	---	---	---	"	---	---
-3	---	---	---	---	---	"	---	---
-4	---	---	---	---	---	"	---	---
-5	---	---	---	---	---	"	---	---
-6	---	---	---	---	---	"	---	---

Tab No.	Used By	MODEL RATIO	For Use With Clutch	Clutch Housing			Main Drive Gear A-1	Front Bearing Cap F-2	Case Assembly G-1
				S A E	Assembly No. E-2	Rel. Code Pages 58-61			
300339									
-1	Ford	6352	Spi., 14"2P	2	8005X	—	62-35-37	62-19-22	311250X
-2	Ford	6453-A	Spi., 14"2P	2	"	—	62-35-33	"	"
-3	Ford	6852-G	Spi., 14"2P	2	"	—	62-35-73	"	"
-4	Ford	6452-A	Spi., 14"2P	2	"	—	62-35-33	"	"
-5	Ford	6352-B	Spi., 14"2P	2	"	—	62-35-37	"	"
-6	Ford	6352	—	2	8005X	—	62-35-37	62-19-22	311633X
-7	Ford	6453-A	—	2	"	—	62-35-33	"	"
-8	Ford	6852-G	—	2	"	—	62-35-73	"	"
-9	Ford	6452-A	—	2	"	—	62-35-33	"	"
-10	Ford	6352-B	—	2	"	—	62-35-37	"	"
300371									
-1	Ford	6354	Spi., 14"2P	2	8005X	—	62-35-37	62-19-22	311359X
-2	Ford	6455-A	Spi., 14"2P	2	"	—	62-35-33	"	"
-3	Ford	6854-G	Spi., 14"2P	2	"	—	62-35-73	"	"
-4	Ford	6454-A	Spi., 14"2P	2	"	—	62-35-33	"	"
-5	Ford	6354-B	Spi., 14"2P	2	"	—	62-35-37	"	"
300385									
-1	—	6352-B	Rock, 15"SP	2	7043X	—	62-35-55	62-19-45	311012X
-2	—	6852-G	Rock, 15"SP	2	"	—	62-35-77	"	311788X
-3	—	6453-A	Spi., 14"2P	1	310821X	129	62-35-33	62-19-22	311012X
-4*	—	6452-D	Spi., 14"2P	2	8019X	131	"	62-19-61	310066X
-5*	—	6452-D	L-R SP	—	—	—	62-35-35	62-19-49	"
-6*	—	6452-E	—	—	—	—	"	310302X	"
-7	—	6853-C	—	2	311939X	63	62-35-79	62-19-64	"
*Reverse Blocked Out									
300424									
-1	—	6452-A	Spi., 14"2P	2	8019X	—	62-35-33	62-19-22	311793X
-2	—	6852-E	Spi., 14"2P	2	"	—	62-35-83	"	"
-3	—	6852-G	Spi., 14"2P	2	"	—	62-35-73	"	"
-4	—	6452-A	—	2	311258X	—	62-35-35	62-19-31	"
-5	White	6853-C	—	2	8019X	—	62-35-83	62-19-22	"
-6	—	6852-K	Long, 13"2P	2	311258X	—	62-35-93	62-19-31	311793X
-7	—	6352-B	Long, 13"2P	2	"	—	62-35-34	"	"
-8	—	6352	—	2	8019X	—	62-35-37	62-19-22	"
-9	—	6452	Spi., 14"2P	2	"	—	62-35-33	"	"
-10	White	6352	—	2	311258X	—	62-35-34	62-19-31	"
-11	White	6852	—	1	310821X	—	62-35-36	62-19-22	311793X
-12	Whit4	6453-A	Long, 13"2P	2	311258X	—	62-35-35	62-19-31	"
-13	White	6452	Long, 13"2P	2	"	—	"	"	"
-14	White	6453-A	—	2	8019X	—	62-35-33	62-19-22	"
-15	White	6852-K	Spi., 14"2P	2	"	—	62-35-73	"	"
-16	—	6852-K	—	2	311258X	—	62-35-93	62-19-31	311793X
-17	White	6852-G	—	2	"	—	"	"	"
-18	White	6853-C	—	2	"	—	62-35-89	"	"

T210-6000

MODEL 6000 TABULATED BILLS of MATERIAL



Tab No.	Rear Brg. Cap Assy's		Speedometer		(—) Brake Assy See Footnote	Shifter		
	Cap Bushing and Seal	Cap and Bushing	Drive Gear	Driven Gear	End Yoke or Companion Flange	Housing Assembly Pages	Lever & Dome Assy. Pages	Remote Control Pages
	H-2	H-3	B-16	H-8	B-17	36-39	50-53	40-49

300339

-1	—	—	—	—	—	310451X	—	—
-2	—	—	—	—	—	"	—	—
-3	—	—	—	—	—	"	—	—
-4	—	—	—	—	—	"	—	—
-5	—	—	—	—	—	"	—	—
-6	—	—	—	—	—	310451X	—	—
-7	—	—	—	—	—	"	—	—
-8	—	—	—	—	—	"	—	—
-9	—	—	—	—	—	"	—	—
-10	—	—	—	—	—	"	—	—

300371

-1	—	—	—	—	—	311275X	—	—
-2	—	—	—	—	—	"	—	—
-3	—	—	—	—	—	"	—	—
-4	—	—	—	—	—	"	—	—
-5	—	—	—	—	—	"	—	—

300385

-1	—	7116X	—	—	—	311020X	—	310736X
-2	—	"	—	—	—	"	—	"
-3	—	"	—	—	—	"	—	"
-4	311069X	311604X	62-452-3	—	—	311024X	—	"
-5	"	"	—	—	—	"	—	"
-6	"	"	—	—	—	312430X	—	"
-7	—	7116X	—	—	—	311020X	—	311732X

300424

-1	—	7116X	62-452-14	—	—	8088X	—	—
-2	—	"	"	—	—	"	—	—
-3	—	"	"	—	—	"	—	—
-4	—	"	"	—	—	"	—	—
-5	—	"	"	—	—	"	—	—
-6	—	7116X	62-452-14	—	—	8088X	—	—
-7	—	"	"	—	—	"	—	—
-8	—	"	"	—	—	"	—	—
-9	—	"	"	—	—	"	—	—
-10	—	"	"	—	—	"	—	—
-11	—	7116X	62-452-14	—	—	8088X	—	—
-12	—	"	"	—	—	"	—	—
-13	—	"	"	—	—	"	—	—
-14	—	"	"	—	—	"	—	—
-15	—	"	"	—	—	"	—	—
-16	—	7116X	62-452-14	—	—	8088X	—	—
-17	—	"	"	—	—	"	—	—
-18	—	"	"	—	—	"	—	—

Tab No.	Used By	For Use With Clutch	Clutch Housing			Main Drive Gear A-1	Front Bearing Cap F-2	Case Assembly G-1
			S A E	Assembly No. E-2	Rel. Code Pages 58-61			
300448—Model 6352								
-1	Ford	—	—	—	—	62-35-67	62-19-65	312004X
-2	Ford	—	2	8005X	—	62-35-37	62-19-22	312006X
-3	Ford	—	2	"	—	"	"	"
-4	Ford	—	—	—	—	62-35-67	—	312004X
-5	Ford	—	—	—	—	"	62-19-65	"
-6	Ford	—	—	—	—	62-35-37	62-19-22	312006X
-7	Ford	Spi., 14"SP	2	7041X	13	62-35-40	"	"
-8	Ford	—	2	8005X	—	62-35-86	62-19-64	312209X
300449—Model 6352-B								
-1	Ford	—	—	—	—	62-35-67	62-19-65	312004X
-2	Ford	—	2	8005X	—	62-35-37	62-19-22	312006X
-3	Ford	—	2	"	—	"	"	"
-4	Ford	—	—	—	—	62-35-67	62-19-65	312004X
-5	Ford	—	—	—	—	62-35-37	62-19-22	312006X
-6	Ford	—	2	7041X	13	62-35-40	62-19-22	312006X
-7	Ford	—	—	—	—	62-35-67	62-19-65	312004X
-8	Ford	—	2	8005X	—	62-35-37	62-19-22	312006X
-9	Ford	—	2	"	—	"	"	"
-10	Ford	Spi., 14"SP	2	7041X	13	62-35-40	"	"
300450—Model 6354								
-1	Ford	—	2	8005X	—	62-35-37	62-19-22	312010X
-2	Ford	—	2	"	—	"	"	"
-3	Ford	—	—	—	—	"	"	"
300451—Model 6354-B								
-1	Ford	—	2	8005X	—	62-35-37	62-19-22	312010X
-2	Ford	—	2	"	—	"	"	"
-3	Ford	—	—	—	—	"	"	"
-4	Ford	—	2	8005X	—	"	"	"
-5	Ford	—	2	"	—	"	"	"
300452—Model 6452-A								
-1	Ford	—	2	8005X	—	62-35-33	62-19-22	312006X
-2	Ford	—	2	"	—	"	"	"
-3	Ford	—	—	—	—	"	"	"
-4	Ford	—	—	—	—	62-35-68	62-19-65	312004X
-5	Ford	Spi., 14"2P	2	7041X	13	62-35-41	62-19-22	312006X
300453—Model 6453-A								
-1	Ford	—	—	—	—	62-35-68	62-19-45	312004X
-2	Ford	—	2	8005X	—	62-35-33	62-19-22	312006X
-3	Ford	—	2	"	—	"	"	"
-4	Ford	—	—	—	—	62-35-68	62-19-65	312004X
-5	Ford	—	—	—	—	62-35-33	62-19-22	312006X
-6	Ford	Spi., 14"SP	2	7041X	13	62-35-41	"	"

T210-6000

MODEL 6000 TABULATED BILLS of MATERIAL



Tab No.	Rear Brg. Cap Assy's		Speedometer		(-) Brake Ass'y See Footnote	Shifter		
	Cap Bushing and Seal	Cap and Bushing	Drive Gear	Driven Gear	End Yoke or Companion Flange	Housing Assembly	Lever & Dome Assy.	Remote Control
	H-2	H-3	B-16	H-8	B-17	Pages 36-39	Pages 50-53	Pages 40-49

300448—Model 6352

-1	—	—	—	—	—	312692X	—	—
-2	—	—	—	—	—	312693X	—	—
-3	—	—	—	—	—	312694X	—	—
-4	—	—	—	—	—	312692X	—	—
-5	—	—	—	—	—	—	—	—
-6	—	—	—	—	—	—	—	—
-7	—	—	—	—	—	312693X	—	—
-8	—	—	—	—	—	"	—	—

300449—Model 6352-B

-1	—	—	—	—	—	312005X	—	—
-2	—	—	—	—	—	312011X	—	—
-3	—	—	—	—	—	312012X	—	—
-4	—	—	—	—	—	—	—	—
-5	—	—	—	—	—	—	—	—
-6	—	—	—	—	—	312011X	—	—
-7	—	—	—	—	—	312692X	—	—
-8	—	—	—	—	—	312693X	—	—
-9	—	—	—	—	—	312694X	—	—
-10	—	—	—	—	—	312693X	—	—

300450—Model 6354

-1	—	—	—	—	—	312011X	—	—
-2	—	—	—	—	—	312013X	—	—
-3	—	—	—	—	—	—	—	—

300451—Model 6354-B

-1	—	—	—	—	—	312011X	—	—
-2	—	—	—	—	—	312013X	—	—
-3	—	—	—	—	—	—	—	—
-4	—	—	—	—	—	312011X	—	—
-5	—	—	—	—	—	312013X	—	—

300452—Model 6452-A

-1	—	—	—	—	—	312011X	—	—
-2	—	—	—	—	—	312012X	—	—
-3	—	—	—	—	—	—	—	—
-4	—	—	—	—	—	312005X	—	—
-5	—	—	—	—	—	312693X	—	—

300453—Model 6453-A

-1	—	—	—	—	—	312692X	—	—
-2	—	—	—	—	—	312693X	—	—
-3	—	—	—	—	—	312694X	—	—
-4	—	—	—	—	—	—	—	—
-5	—	—	—	—	—	—	—	—
-6	—	—	—	—	—	312693X	—	—

Tab No.	Used By	For Use With Clutch	Clutch Housing			Main Drive Gear	Front Bearing Cap	Case Assembly
			S A E	Assembly No. E-2	Rel. Code Pages 58-61			
300454—Model 6454-A								
-1	Ford	—	2	8005X	—	62-35-33	62-19-22	312010X
-2	Ford	—	2	"	—	"	"	"
-3	Ford	—	—	—	—	"	"	"
300455—Model 6455-A								
-1	Ford	—	2	8005X	—	62-35-33	62-19-22	312010X
-2	Ford	—	2	"	—	"	"	"
-3	Ford	—	—	—	—	"	"	"
300456—Model 6852-G								
-1	Ford	—	—	—	—	62-35-69	62-19-65	312004X
-2	Ford	—	2	8005X	—	62-35-73	62-19-22	312006X
-3	Ford	—	2	"	—	"	"	"
-4	Ford	—	—	—	—	62-35-69	62-19-65	312004X
-5	Ford	—	—	—	—	62-35-73	62-19-22	312006X
-6	Ford	Spi., 14"SP	2	7041X	13	62-35-98	62-19-22	312006X
-7	Ford	Long	2	8005X	—	62-35-78	62-19-64	312209X
-8	Ford	—	—	—	—	62-35-104	62-19-75	312004X
300457—Model 6854-G								
-1	Ford	—	2	8005X	—	62-35-73	62-19-22	312010X
-2	Ford	—	2	"	—	"	"	"
-3	Ford	—	—	—	—	"	"	"
300491—Model 6352-D								
-1	Ford	—	—	—	—	62-35-67	62-19-65	312004X
300492—Model 6852-J								
-1	Ford	—	—	—	—	62-35-69	62-19-65	312004X
300493—Model 6852-K								
-1	Ford	—	—	—	—	62-35-69	62-19-65	312004X
-2	Ford	—	—	—	—	"	"	"
300516—Model 6853-C								
-1	GMC	L-R, 14"2P	2	312098X	—	62-35-96	312246X	311662X
-2	GMC	L-R, 14"2P	2	"	—	"	"	"
-3	GMC	L-R, 14"2P	2	"	—	"	"	"
-4	GMC	L-R, 14"2P	2	"	—	"	"	"
-5	IHC	Spi., 14"2P	1	310821X	198	62-35-83	62-19-22	310066X
-6	GMC	L-R, 14"2P	2	312098X	—	62-35-96	312246X	312455X
-7	GMC	L-R, 14"2P	2	"	—	"	"	311662X
-8	Brockway	L-R, 14"2P	2	311939X	63	62-35-79	62-19-64	310066X
-9	Brockway	Spi., 14"2P	2	62-518-29-1X	201	62-35-83	62-19-22	"
-10	Ford	Spi., 14"2P	2	8005X	—	"	"	"

MODEL 6000
TABULATED BILLS of MATERIAL



Tab No.	Rear Brg. Cap Assy's		Speedometer		(-) Brake Assy See Footnote	Shifter		
	Cap Bushing and Seal H-2	Cap and Bushing H-3	Drive Gear B-16	Driven Gear H-8	End Yoke or Companion Flange B-17	Housing Assembly Pages 36-39	Lever & Dome Assy. Pages 50-53	Remote Control Pages 40-49
300454—Model 6454-A								
-1	—	—	—	—	—	312011X	—	—
-2	—	—	—	—	—	312013X	—	—
-3	—	—	—	—	—	—	—	—
300455—Model 6455-A								
-1	—	—	—	—	—	312011X	—	—
-2	—	—	—	—	—	312013X	—	—
-3	—	—	—	—	—	—	—	—
300456—Model 6852-G								
-1	—	—	—	—	—	312692X	—	—
-2	—	—	—	—	—	312693X	—	—
-3	—	—	—	—	—	312694X	—	—
-4	—	—	—	—	—	—	—	—
-5	—	—	—	—	—	—	—	—
-6	—	—	—	—	—	312693X	—	—
-7	—	—	—	—	—	312011X	—	—
-8	—	—	—	—	—	312005X	—	—
300457—Model 6854-G								
-1	—	—	—	—	—	312011X	—	—
-2	—	—	—	—	—	312013X	—	—
-3	—	—	—	—	—	—	—	—
300491—Model 6352-D								
-1	—	—	—	—	—	312005X	—	—
300492—Model 6852-J								
-1	—	—	—	—	—	312005X	—	—
300493—Model 6852-K								
-1	—	—	—	—	—	312005X	—	—
-2	—	—	—	—	—	312692X	—	—
300516—Model 6853-C								
-1	310210X	310157X	62-452-9	62-453-8	6-1-2801X(13)	312097X	—	—
-2	311069X	311604X	"	"	5-4-3091	"	—	—
-3	"	"	"	"	6-1-2391	"	—	—
-4	"	"	—	—	"	"	—	—
-5	—	7116X	—	—	—	8088X	311704-2X	—
-6	310210X	310157X	62-452-9	62-453-8	6-1-2801X(13)	312097X	—	—
-7	311069X	311604X	—	—	5-4-3091	"	—	—
-8	—	7116X	—	—	6-4-2361	311020X	310083X	—
-9	—	"	62-452-3	62-453-4	"	"	"	—
-10	—	—	—	—	—	312012X	—	—

(13) 311004 Bendix Brake furnished as an Assembly only. See Pages 34-35

Tab No.	Used By	For Use With Clutch	Clutch Housing			Main Drive Gear	Front Bearing Cap	Case Assembly
			S A E	Assembly No. E-2	Rel. Code Pages 58-61			
						A-1	F-2	G-1
300516—Model 6853-C (Con't)								
-11	Auto Buses S.A.	L-R, 15"SP	2	310921X	92	62-35-89	62-19-25	310066X
-12	GMC	L-R, 14"2P	2	312098X	—	62-35-96	312246X	311662X
-13	Never Released for Production							
-14	GMC	—	—	—	—	62-35-96	312246X	311662X
-15	GMC	—	—	—	—	62-35-79	62-19-55	311005X
-16	White	Spi., 14"SP	2	8019X	—	62-35-83	62-19-22	311238X
-17	GMC	L-R, 14"2P	2	312098X	—	62-35-96	312246X	311662X
-18	Ward LaFrance	L-R, 14"2P	2	311939X	76	62-35-79	62-19-64	310066X
-19	White	—	2	311258X	—	62-35-89	62-19-31	311793X
-20	Brockway	Spi., 14"2P	2	8019X	201	62-35-83	62-19-22	310066X
-21	Peterbilt	L-R, 14"2P	2	311939X	63	62-35-79	62-19-64	310066X
-22	Chrysler	Spi., 14"2P	2	8019X	—	62-35-83	62-19-22	62-15-64-1X
-23	Kenworth	Spi., 14"2P	2	"	201	"	"	310498X
-24	FWD	Spi., 14"2P	1	310821X	208	"	"	310066X
-25	Duplex	Spi., 14"2P	2	62-518-29-1X	208	"	"	"
-26	Dia.-Reo	Spi., 14"2P	2	62-518-29-1X	—	62-35-83	62-19-22	62-15-67-1X
-27	IHC	Rock, 14"TT	2	102C-474	—	62-35-88	62-19-34	310066X
-28	IHC	Spi., 14"2P	—	—	—	62-35-83	62-19-22	311545X
-29	IHC	Spi., 14"2P	—	—	—	"	"	"
-30	IHC	Spi., 14"2P	2	8019X	—	"	"	310066X
-31	GMC	Spi., 14"2P	2	312826X	—	62-35-83	310729X	311662X
-32	Ford	Spi., 14"2P	2	62-518-30-1X	—	"	62-19-22	312006X
-33	IHC	Spi., 14"2P	—	—	—	"	310729X	62-15-68-1X
-34	IHC	Spi., 14"2P	—	—	—	"	"	"
-35	IHC	Spi., 14"2P	1	310821X	—	"	62-19-22	310066X
-36	Ward LaFrance	L-R, 15"SP	2	312283X	76	62-35-89	62-19-25	310066X
-37	Ford	—	—	—	—	62-35-85	62-19-65	312004X
-38	Ford	Spi., 14"2P	2	62-518-30-1X	—	62-35-83	62-19-22	62-15-63-1X
-39	IHC	Spi., 14"2P	2	62-518-29-1X	—	"	"	310066X
-40	Sicard	Spi., 14"2P	2	"	218	"	"	311238X
-41	IHC	Spi., 14"2P	1	62-518-32-1X	198	62-35-83	62-19-22	62-15-66-1X
-42	IHC	Spi., 14"2P	—	—	—	"	"	62-15-67-5X
-43	IHC	Spi., 14"2P	1	62-518-32-1X	198	"	"	62-15-66-1X
-44	GMC	L-R, 14"2P	2	62-518-30-1X	—	62-35-79	62-19-66	311005X
-45	IHC	Spi., 14"2P	1	62-518-32-1X	—	62-35-83	62-19-22	62-15-66-1X
-46	IHC	Spi., 14"2P	1	62-518-32-1X	198	62-35-83	62-19-22	62-15-66-1X
-47	IHC	Spi., 14"2P	—	—	—	"	"	"
-48	IHC	Spi., 14"2P	—	—	—	"	"	"
-49	IHC	Spi., 14"2P	—	—	—	"	310729X	"
-50	IHC	—	—	—	—	"	310729X	"

T210-6000

MODEL 6000
TABULATED BILLS of MATERIAL



Tab No.	Rear Brg. Cap Assy's		Speedometer		(-) Brake Ass'y See Footnote	Shifter		
	Cap Bushing and Seal	Cap and Bushing	Drive Gear	Driven Gear	End Yoke or Companion Flange	Housing Assembly Pages	Lever & Dome Assy. Pages	Remote Control Pages
	H-2	H-3	B-16	H-8	B-17	36-39	50-53	40-49

300516—Model 6853-C (Con't)

-11	—	7116X	—	—	6-1-2221	8088X	—	310736X
-12	—	—	62-452-9	—	—	312097X	—	—
-13	Never Released for Production							
-14	—	—	—	—	—	—	—	—
-15	—	—	—	—	—	—	—	—
-16	—	7116X	62-452-14	—	—	8088X	—	—
-17	311069X	311604X	62-452-9	62-453-8	6-4-2361	312097X	—	—
-18	—	7116X	—	—	—	8088X	—	310736X
-19	—	"	62-452-14	—	—	"	—	—
-20	—	"	62-452-3	52-453-4	6-4-2361	310020X	310478-1X	—
-21	—	7116X	—	—	—	311020X	310083X	—
-22	—	"	—	—	—	312553X	—	—
-23	—	"	62-452-3	62-453-4	6-4-2361	"	310083X	—
-24	—	"	—	—	—	"	—	310736X
-25	—	"	62-452-3	62-453-4	5-1-3141	"	—	"
-26	311069X	311604X	62-452-14	—	—	8088X	—	—
-27	—	7116X	—	—	—	312012X	—	—
-28	—	—	—	—	—	312553X	—	—
-29	—	—	—	—	—	312005X	—	—
-30	311069X	311604X	—	—	—	312011X	—	—
-31	—	—	62-452-9	—	—	312097X	—	—
-32	—	—	—	—	—	312012X	—	—
-33	—	—	—	—	—	312553X	—	—
-34	—	—	—	—	—	312005X	—	—
-35	311069X	311604X	—	—	—	312011X	—	—
-36	—	7116X	—	—	—	8088X	—	310736X
-37	—	—	—	—	—	312005X	—	—
-38	—	—	—	—	—	312011X	—	—
-39	—	7116X	—	—	—	8088X	—	—
-40	312590X	310437X	—	—	6-4-2361	312011X	—	310736X
-41	311069X	311604X	—	—	—	312012X	—	—
-42	"	"	—	—	—	—	—	—
-43	"	"	62-452-12	—	—	8088X	311704-2X	—
-44	—	—	62-452-9	—	—	312630X	—	—
-45	311069X	311604X	—	—	—	311652X	—	—
-46	311069X	311604X	—	—	—	8088X	311704-2X	—
-47	—	—	—	—	—	312553X	—	—
-48	—	—	—	—	—	312005X	—	—
-49	—	—	—	—	—	312553X	—	—
-50	—	—	—	—	—	312005X	—	—

Tab No.	Used By	For Use With Clutch	Clutch Housing			Main Drive Gear A-1	Front Bearing Cap F-2	Case Assembly G-1
			S A E	Assembly No. E-2	Rel. Code Pages 58-61			
300516—Model 6853-C (Con't)								
-51	IHC	Spi., 14"2P	1	62-518-32-1X	—	62-35-83	62-19-22	62-15-66-1X
-52	IHC	Spi., 14"2P	2	62-518-29-1X	—	"	"	"
-53	IHC	Rock, 14"SP	—	—	—	62-35-115	62-19-79-1X	62-15-68-1X
-54	Chrysler	Spi., 14"2P	1	62-518-32-1X	—	62-35-85	62-19-22	62-15-64-1X
-55	Hendrickson	L-R, 14"2P	2	62-518-29-1X	63	62-35-79	62-19-64	62-15-66-1X
-56	FWD	Spi., 14"2P	1	62-518-32-1X	208	62-35-83	62-19-22	62-15-70-1X
-57	Sicard	Spi., 14"2P	2	62-518-29-1X	218	"	"	62-15-66-11X
-58	—	Spi., 14"2P	2	62-518-29-1X	201	"	310729X	"
-59*	—	—	1	62-518-32-1X	191	"	62-19-22	"
*Reverse, 4th and 5th Speeds Blocked Out								
-60	—	—	—	—	—	62-35-83	62-19-22	62-15-66-1X
-61	Warner Swasey	L-R, 14"PLP	2	62-518-29-1X	76	62-35-79	62-19-64	62-15-70-1X
-62	Never Release for Production							
-63	Mack	Spi., 14"2P	1	62-518-32-1X	105	62-35-83	310729X	62-15-66-1X
-64	Mack	Spi., 14"2P	1	"	105	"	"	62-15-70-1X
-65	Mack	Spi., 14"2P	1	"	105	62-35-36	"	62-15-66-1X
-66	—	Spi., 14"2P	2	62-518-29-1X	208	62-35-83	310729X	62-15-66-1X
-67	Mack	Spi., 14"2P	1	62-518-32-1X	105	"	"	"
-68	—	L-R, 14"2P	2	310475X	—	62-35-96	62-19-55	62-15-62-2X
-69	Ford	—	—	—	—	62-35-117	62-19-80-1X	62-15-73-1X
300517—Model 6852-K								
-1	GMC	L-R, 14"2P	2	312098X	—	62-35-97	312246X	311662X
-2	GMC	L-R, 14"2P	2	"	—	"	"	"
-3	GMC	L-R, 14"2P	2	"	—	"	"	"
-4	GMC	L-R, 14"2P	2	"	—	"	"	"
-5	GMC	L-R, 14"2P	2	"	—	"	"	"
-6	GMC	L-R, 14"2P	2	312098X	—	62-35-97	312246X	311662X
-7	IHC	Spi., 14"2P	2	8019X	214	62-35-73	62-19-22	310066X
-8	IHC	Rock, 14"TT	2	102C-474	—	62-35-112	62-19-34	"
-9	IHC	Spi., 14"2P	2	8019X	—	62-35-73	62-19-22	"
-10	GMC	L-R, 14"2P	2	312098X	—	62-35-97	312246X	311662X
-11	GMC	L-R, 14"2P	2	312098X	—	62-35-97	312246X	3124455X
-12	GMC	L-R, 14"2P	2	"	—	"	"	311662X
-13	IHC	L-R, 14"2P	1	310821X	—	62-35-73	62-19-22	310066X
-14	GMC	—	—	—	—	62-35-97	312246X	311662X
-15	GMC	—	—	—	—	62-35-78	62-19-55	311005X
-16	White	Long, 13"2P	2	7046X	—	62-35-105	62-19-31	311793X
-17	IHC	Rock, 14"TT	2	102C-474	—	62-35-80	62-19-34	310066X
-18	Brockway	Spi., 14"2P	2	8019X	201	62-35-73	62-19-22	"
-19	—	Rock, 14"SP	2	311883X	165	62-35-77	62-19-45	"
-20	—	L-R, 14"2P	2	312098X	—	62-35-97	312246X	311662X
-21	Ford	—	—	—	—	62-35-69	62-19-65	312004X
-22	Ford	Long, 13"2P	2	312653	—	62-35-104	62-19-78	312006X
-23	IHC	Rock, 14"TT	2	102C-474	—	62-35-113	62-19-34	311448X
-24	GMC	L-R, 14"2P	2	312098X	—	62-35-97	312246X	311516X
-25	FWD	Spi., 14"2P	1	62-518-32-1X	208	62-35-73	62-19-22	62-15-66-1X

T210-6000

**MODEL 6000
TABULATED BILLS of MATERIAL**



Tab No.	Rear Brg. Cap Assy's		Speedometer		(-) Brake Assy See Footnote	Shifter		
	Cap Bushing and Seal	Cap and Bushing	Drive Gear	Driven Gear	End Yoke or Companion Flange	Housing Assembly Pages	Lever & Dome Assy. Pages	Remote Control Pages
	H-2	H-3	B-16	H-8	B-17	36-39	50-53	40-49

300516—Model 6853-C (Con't)

-51	311069X	311604X	—	—	—	312011X	—	—
-52	"	"	—	—	—	8088X	—	—
-53	—	—	—	—	—	312005X	—	—
-54	311609X	311604X	—	—	—	312553X	—	—
-55	312590X	310437X	62-452-12	—	5-4-2361	312011X	—	310736X
-56	312590X	310437X	—	—	—	8088X	—	310736X
-57	"	"	—	—	—	312011X	—	"
-58	"	"	—	—	—	312538X	310083X	—
-59	"	"	—	—	6-1-2221	62-16-120-3X	"	—
-60	312590X	310437X	—	—	—	—	—	—
-61	312590X	310437X	—	—	5-4-1661	312844X	—	310736-2X
-62	Never Released for Production		—	—	—	—	—	—
-63	311069X	311604X	—	—	6-4-2361	312011X	—	310736X
-64	"	"	—	—	6-1-2221	"	—	310736-5X
-65	"	"	—	—	"	"	—	310736X
-66	312590X	310437X	62-452-3	62-453-5	5-4-1661	312844X	—	310736X
-67	311069X	311604X	—	—	5-1-3141	312011X	—	"
-68	310210X	310157X	62-452-9	62-453-8	6-1-2801X	312097X	—	—
-69	—	—	—	—	—	312005X	—	—

300517—Model 6852-K

-1	310210X	310157X	—	—	6-1-2801X	312097X	—	—
-2	311069X	311604X	—	—	6-1-2391	"	—	—
-3	"	"	—	—	5-4-3091	"	—	—
-4	"	"	62-452-9	62-453-8	"	"	—	—
-5	"	"	—	—	6-4-2361	"	—	—
-6	311069X	311604X	62-452-9	62-453-8	6-1-2391	312097X	—	—
-7	—	7116X	62-452-12	—	—	8088X	311233X	—
-8	311069X	311604X	"	—	—	311104X	—	—
-9	—	7116X	—	—	—	8088X	311704X	—
-10	—	—	—	—	—	312097X	—	—
-11	311069X	311604X	62-452-9	62-453-8	6-1-2391	312097X	—	—
-12	310210X	310157X	"	"	6-1-2801X	"	—	—
-13	—	7116X	—	—	—	312012X	—	—
-14	—	—	—	—	—	—	—	—
-15	—	—	—	—	—	—	—	—
-16	—	7116X	62-452-14	—	—	8088X	—	—
-17	—	"	—	—	—	312012X	—	—
-18	—	"	—	—	6-4-2361	311020X	—	—
-19	312590X	310437X	—	—	—	"	310083X	—
-20	311069X	311604X	—	—	5-4-3091	312097X	—	—
-21	—	—	—	—	—	312005X	—	—
-22	—	—	—	—	—	312011X	—	—
-23	311069X	311604X	62-452-12	—	—	311104X	—	—
-24	—	—	62-452-9	—	—	312097X	—	—
-25	312590X	310437X	—	—	—	8088X	—	310736X

Tab No.	Used By	For Use With Clutch	Clutch Housing			Main Drive Gear	Front Bearing Cap	Case Assembly
			S A E	Assembly No. E-2	Rel. Code Pages 58-61			
						A-1	F-2	G-1
300517—Model 6852-K (Con't)								
-26	Ford	Spi., 14"2P	2	62-518-30-1X	—	62-35-73	62-19-22	62-15-63-1X
-27	GMC	Spi., 14"2P	2	62-518-31-1X	—	"	310729X	311662X
-28	Warner Swaney	Spi., 14"2P	2	62-518-29-1X	208	"	62-19-22	62-15-70-1X
-29	—	Spi., 14"2P	2	"	208	"	"	62-15-66-1X
-30	FWD	Spi., 14"2P	2	"	208	"	"	"
-31	Imp. Fire App.	Spi., 14"2P	1	310821X	208	62-35-73	62-19-22	62-15-66-1X
-32	IHC	Spi., 14"2P	1	62-518-32-1X	214	"	"	"
-33	GMC	L-R, 14"2P	2	62-518-30-1X	—	62-35-78	62-19-66	311005X
-34	IHC	Spi., 14"2P	1	62-518-32-1X	—	62-35-73	62-19-22	62-15-66-1X
-35	IHC	Rock, 14"TT	2	102C-474	—	62-35-113	62-19-34	62-15-70-1X
-36	Never Released for Production							
-37	Dia.-Reo	Spi., 14"2P	2	62-518-29-1X	—	62-35-73	62-19-22	62-15-67-1X
-38	Am. LaFrance	L-R, 14"2PDB	1	62-518-32-1X	222	62-35-78	62-19-64	62-15-66-1X
-39	Gillig	Spi., 14"2P	1	"	191	62-35-73	62-19-22	"
-40	Ford	Spi., 14"2P	2	62-518-30-1X	—	"	"	62-15-63-1X
-41	Mack	—	—	—	—	62-35-105	310302X	62-15-66-1X
-42	Ford	—	—	—	—	62-35-69	62-19-65	62-15-73-1X
-43	Ford	—	—	—	—	62-35-119	62-19-80-1X	"
-44	Am. Fire Appr.	Spi., 15½"2P	1	62-518-32-1X	212	62-35-73	62-19-22	62-15-66-1X
-45	—	Spi., 14"2P	2	62-518-29-1X	208	"	"	"
300518—Model 6852-S								
-1	GMC	L-R, 14"2P	2	312098X	—	62-35-96	312246X	311662X
-2	GMC	L-R, 14"2P	2	"	—	"	"	"
-3	GMC	L-R, 14"2P	2	"	—	"	"	"
-4	GMC	L-R, 14"2P	2	"	—	"	"	"
-5	GMC	L-R, 14"2P	2	"	—	"	"	"
-6	GMC	L-R, 14"2P	2	312098X	—	62-35-96	312246X	311662X
-7	GMC	L-R, 14"2P	2	"	—	"	"	"
-8	GMC	L-R, 14"2P	2	"	—	"	"	"
-9	IHC	Spi., 14"2P	1	310821X	—	62-35-83	62-19-22	310066X
-10	IHC	Spi., 14"-2P	1	"	—	"	"	"
-11	GMC	L-R, 14"2P	2	312098X	—	62-35-96	312246X	311662X
-12	GMC	—	—	—	—	"	"	"
-13	GMC	—	—	—	—	62-35-79	62-19-55	311005X
-14	FWD	Spi., 14"2P	2	8019X	208	62-35-83	62-19-22	310066X
-15	GMC	Spi., 14"2P	2	312826X	—	"	310729X	311662X
-16	Ford	Spi., 14"2P	2	62-518-30-1X	—	62-35-83	62-19-22	62-15-63-1X
-17	GMC	L-R, 14"2P	2	"	—	62-35-79	62-19-66	311005X
-18	IHC	Rock, 13-2P	—	73-518-3	—	62-35-112	62-19-73	62-15-68-1X
-19	Dia.-Reo	Spi., 14"2P	2	62-518-29-1X	—	62-35-83	62-19-22	62-15-67-1X
-20	Warner Swasey	Spi., 14"2P	2	"	193	"	"	62-15-66-1X
-21	IHC	Spi., 14"2P	—	—	—	"	310729X	62-15-68-1X
300538—Model 6852								
-1	Ford	Spi., 14"2P	2	7041X	13	62-35-42	62-19-22	312006X

MODEL 6000 TABULATED BILLS of MATERIAL



Tab No.	Rear Brg. Cap Assy's		Speedometer		(-) Brake Ass'y See Footnote	Shifter		
	Cap Bushing and Seal H-2	Cap and Bushing H-3	Drive Gear B-16	Driven Gear H-8	End Yoke or Companion Flange B-17	Housing Assembly Pages 36-39	Lever & Dome Assy. Pages 50-53	Remote Control Pages 40-49
300517—Model 6852-K (Con't)								
-26	—	—	—	—	—	312012X	—	—
-27	—	—	62-452-9	—	—	312097X	—	—
-28	—	7116X	62-452-3	62-453-5	5-1-3141	8088X	—	310736X
-29	312590X	310437X	—	—	"	"	—	"
-30	"	"	—	—	—	"	—	"
-31	312590X	310437X	—	—	—	8088X	—	310736X
-32	311069X	311604X	—	—	—	"	311233X	—
-33	—	—	62-452-9	—	—	312630X	—	—
-34	311069X	311604X	—	—	—	312012X	—	—
-35	"	"	—	—	—	311104X	—	—
-36	Never Released for Production							
-37	311069X	311604X	62-452-14	—	—	8088X	—	—
-38	312590X	310437X	—	—	—	"	—	310736X
-39	"	"	—	—	6-1-2251	312011X	—	310736-3X
-40	—	—	—	—	—	"	—	—
-41	311069X	311604X	—	—	—	312011X	—	—
-42	—	—	—	—	—	312005X	—	—
-43	—	—	—	—	—	"	—	—
-44	312590X	310437X	52-452-3	62-453-5	—	8088X	—	310736X
-45	"	"	—	—	5-1-3141	312538X	8091X	—
300518—Model 6852-S								
-1	310210X	310157X	62-452-9	62-453-8	6-1-2801X(13)	312097X	—	—
-2	311069X	311604X	"	"	—	"	—	—
-3	"	"	"	"	6-1-2391	"	—	—
-4	"	"	—	—	"	"	—	—
-5	"	"	—	—	5-4-3091	"	—	—
-6	311069X	311604X	—	—	6-4-2361	312097X	—	—
-7	"	"	62-452-9	62-453-8	"	"	—	—
-8	"	"	"	"	—	312538X	310480-20X	—
-9	—	7116X	—	—	—	8088X	—	—
-10	—	"	—	—	—	"	311704-2X	—
-11	—	—	62-452-9	—	—	312097X	—	—
-12	—	—	—	—	—	—	—	—
-13	—	—	—	—	—	—	—	—
-14	—	7116X	—	—	—	8088X	—	310736X
-15	—	—	62-452-9	—	—	312097X	—	—
-16	—	—	—	—	—	312011X	—	—
-17	—	—	62-452-9	—	—	312630X	—	—
-18	—	—	—	—	—	311020X	—	—
-19	311069X	311604X	62-452-14	—	—	8088X	—	—
-20	"	"	62-452-3	62-453-4	5-1-3141	"	—	310736X
-21	—	—	—	—	—	312005X	—	—
300538—Model 6852								
-1	—	—	—	—	—	312011X	—	—

(13) 311004 Bendix Brake furnished as an Assembly only. See Pages 34-35

Tab No.	Used By	For Use With Clutch	Clutch Housing			Main Drive Gear	Front Bearing Cap	Case Assembly
			S A E	Assembly No. E-2	Rel. Code Pages 58-61			
300629—Model 6852-G								
-1	GMC	L-R, 14"2P	2	312098X	—	62-35-97	312246X	311662X
-2	GMC	L-R, 14"2P	2	"	—	"	"	"
-3	GMC	L-R, 14"2P	2	"	—	"	"	"
-4	IHC	Spi., 14"2P	1	310821X	—	62-35-73	62-19-22	310066X
-5	IHC	Spi., 14"2P	1	"	—	"	"	"
-6	IHC	Rock, 14"TT	2	102C-474	—	62-35-113	62-19-34	310066X
-7	IHC	Rock, 14"TT	2	"	—	62-35-80	"	"
-8	IHC	Rock, 14"TT	2	"	—	"	"	"
-9	GMC	L-R, 14"2P	2	312098X	—	62-35-97	312246X	311662X
-10	IHC	Rock, 14"TT	2	102C-474	—	62-35-113	62-19-34	311448X
-11	IHC	Rock, 14"TT	2	102C-474	—	62-35-113	62-19-34	311448X
-12	IHC	Rock, 14"TT	2	"	—	"	"	"
-13	GMC	—	—	—	—	62-35-97	312246X	311662X
-14	GMC	—	—	—	—	62-35-78	62-19-55	311005X
-15	Dsl. Nacional	L-R, 14"DLSP	2	312283X	—	62-35-77	62-19-45	310066X
-16	Ford	Long, 13"2P	2	312653	—	62-35-104	62-19-78	312006X
-17	Brockway	Spi., 14"2P	2	8019X	201	62-35-73	62-19-22	310066X
-18	Ward LaFrance	L-R, 14"2P	2	311039X	76	62-35-78	62-19-64	"
-19	IHC	Rock, 14"SP	2	102C-474	—	62-35-113	62-19-34	311487X
-20	Hendrickson	L-R, 14"2P	2	311939X	81	62-35-78	62-18-64	"
-21	Chrysler	Rock, 14"TT	2	7043X	—	62-35-77	62-19-45	62-15-64-1X
-22	Ford	—	—	—	—	62-35-69	62-19-65	312004X
-23	Ford	Spi., 14"2P	2	62-518-30-1X	—	62-35-73	62-19-22	312006X
-24	Ford	Spi., 14"2P	2	8005X	—	"	"	"
-25	Ford	Spi., 14"SP	2	62-518-27-1X	13	62-35-98	"	62-15-63-1X
-26	Ford	Long, 14"2P	2	312653	—	62-35-104	62-19-78	312006X
-27	GMC	L-R, 15"SP	1	310971X	27	62-35-93	62-19-25	310066X
-28	Dia.-Reo	Long, 13"2P	2	62-518-27-1X	—	62-35-105	62-19-31	62-15-67-1X
-29	IHC	Rock, 13"2P	2	73-518-3	—	62-35-113	62-19-73	311545X
-30	White	Long, 14"2P	2	62-518-29-1X	—	62-35-110	62-19-64	62-15-67-1X
-31	GMC	L-R, 14"2P	1	310753X	90	62-35-78	62-19-64	310066X
-32	Chrysler	Rock, 15"SP	2	7046X	—	62-35-77	62-19-45	62-15-64-1X
-33	DINA	L-R, 14"SP	2	312283X	169	"	"	310066X
-34	Warner-Swasey	Spi., 14"2P	2	8019X	208	62-35-73	62-19-22	"
-35	GMC	L-R, 14"2P	2	312098X	—	62-35-97	312246X	311516X
-36	IHC	Rock, 14"SP	2	102C-474	—	62-35-80	62-19-34	311545X
-37	IHC	Rock, 14"SP	—	—	—	"	"	62-15-64-1X
-38	Chrysler	Rock, 15"SP	—	—	—	62-35-77	62-19-45	"
-39	IHC	Spi., 14"2P	—	—	—	62-35-73	310729X	62-15-68-1X
-40	IHC	Rock, 13"2P	—	—	—	62-35-113	62-19-79-1X	"

T210-6000

MODEL 6000 TABULATED BILLS of MATERIAL



Tab No.	Rear Brg. Cap Assy's		Speedometer		(-) Brake Assy See Footnote	Shifter		
	Cap Bushing and Seal	Cap and Bushing	Drive Gear	Driven Gear	End Yoke or Companion Flange	Housing Assembly	Lever & Dome Assy.	Remote Control
	H-2	H-3	B-16	H-8	B-17	Pages 36-39	Pages 50-53	Pages 40-49
300629—Model 6852-G								
-1	310210X	310157X	62-452-9	62-453-8	6-1-2801X(13)	312097X	—	—
-2	311069X	311604X	"	"	6-1-2391	"	—	—
-3	"	"	"	"	5-4-3091	"	—	—
-4	—	7116X	—	—	—	311652X	311704X	—
-5	—	"	—	—	—	311104X	—	—
-6	—	7116X	—	—	—	8088X	311704-4X	—
-7	—	"	—	—	—	"	—	—
-8	311069X	311604X	62-452-12	—	—	"	311704-5X	—
-9	—	—	62-452-9	—	—	312097X	—	—
-10	311069X	311604X	—	—	—	311652X	311704-5X	—
-11	311069X	311604X	—	—	—	311652X	—	—
-12	"	"	62-452-12	—	—	311104X	—	—
-13	—	—	—	—	—	—	—	—
-14	—	—	—	—	—	—	—	—
-15	—	7116X	—	—	4-1-3781	312012X	—	310886X
-16	—	—	—	—	—	312011X	—	—
-17	—	7116X	62-452-3	62-453-4	6-4-2361	311020X	—	—
-18	—	"	—	—	—	8088X	—	310736-3X
-19	310210X	310157X	—	—	—	312012X	—	—
-20	"	"	—	—	—	8088X	8091X	—
-21	—	7116X	—	—	—	311020X	—	—
-22	—	—	—	—	—	312005X	—	—
-23	—	—	—	—	—	312011X	—	—
-24	—	—	—	—	—	312012X	—	—
-25	—	—	—	—	—	312011X	—	—
-26	—	—	—	—	—	312011X	—	—
-27	312590X	310437X	—	—	—	8088X	—	310736X
-28	311069X	311604X	62-452-14	—	—	"	—	—
-29	—	—	—	—	—	312011X	—	—
-30	311069X	311604X	62-452-14	—	—	8088X	—	—
-31	—	7116X	—	—	—	8088X	—	310736-3X
-32	—	"	—	—	—	311020X	—	—
-33	—	"	62-452-12	62-453-10	4-1-3781	312012X	—	310886X
-34	—	"	62-452-3	62-453-5	5-1-3141	8088X	—	310736X
-35	—	—	62-452-9	—	—	312097X	—	—
-36	310210X	310157X	—	—	—	312011X	—	—
-37	"	"	—	—	—	"	—	—
-38	311069X	311604X	—	—	—	—	—	—
-39	—	—	—	—	—	312553X	—	—
-40	—	—	—	—	—	"	—	—

(13) 311004 Bendix Brake furnished as an Assembly only. See Pages 34-35

Tab No.	Used By	For Use With Clutch	Clutch Housing			Main Drive Gear A-1	Front Bearing Cap F-2	Case Assembly G-1
			S A E	Assembly No. E-2	Rel. Code Pages 58-61			
300629—Model 6852-G (Con't)								
-41	IHC	Rock, 13"2P	—	—	—	62-35-113	62-19-79-1X	62-15-68-1X
-42	IHC	Spi., 14"2P	—	—	—	62-35-73	310729X	"
-43	Ford	Long, 13"2P	2	312653	—	62-35-104	62-19-78	312209X
-44	Ford	Spi., 14"2P	2	62-518-30-1X	—	62-35-73	62-19-22	62-15-63-1X
-45	Ford	Long, 13"2P	2	312653	—	62-35-104	62-19-78	"
-46	Ford	Long, 13"2P	2	312653	—	62-35-104	62-19-78	62-15-70-1X
-47	IHC	Rock, 14"TT	2	102C-474	—	62-35-113	62-19-34	62-15-68-1X
-48	IHC	Rock, 14"TT	2	"	—	"	"	62-15-66-1X
-49	GMC	L-R, 14"2P	2	62-518-30-1X	—	62-35-78	62-19-66	311005X
-50	IHC	Rock, 14"TT	2	102C-474	—	62-35-113	62-19-34	62-15-66-1X
-51	IHC	Spi., 14"2P	1	62-518-32-1X	—	62-35-73	62-19-22	62-15-66-1X
-52	IHC	Rock, 14"SP	2	102C-474	—	62-35-113	62-19-34	62-15-67-3X
-53	IHC	Rock, 13"2P	2	73-518-3	—	"	62-19-73	62-15-68-1X
-54	IHC	Spi., 14"2P	—	—	—	62-35-73	310729X	"
-55	IHC	Rock, 13"2P	—	—	—	62-35-113	62-19-79-1X	"
-56	IHC	Rock, 13"2P	—	—	—	62-35-113	62-19-79-1X	62-15-68-1X
-57	IHC	Spi., 14"2P	—	—	—	62-35-73	310729X	"
-58	SICARD	L-R, 14"SP	2	312283X	183	62-35-77	62-19-45	62-15-66-1X
-59	GMC	Spi., 14"2P	2	62-518-31-1X	—	62-35-73	310729X	311662X
-60	Ford	—	—	—	—	62-35-69	62-19-65	312004X
-61	FWD	Spi., 14"-2P	1	62-518-32-1X	208	62-35-73	62-19-22	62-15-66-1X
-62	Am. LaFrance	L-R, 14"2DPB	2	62-518-29-1X	222	62-35-78	62-19-64	"
-63	Ford	Long, 13"2P	2	62-518-35-1X	—	62-35-104	62-19-78	62-15-63-1X
-64	Chrysler	Spi., 14"2P	2	62-518-29-1X	—	62-35-75	62-19-61	62-15-64-1X
-65	White	L-R, 14"2P	2	"	—	62-35-78	62-19-64	62-15-66-1X
-66	Hendrickson	L-R, 14"SP	2	62-518-27-1X	—	62-35-77	62-19-45	62-15-66-1X
-67	Ford	—	—	—	—	62-35-69	62-19-65	62-15-73-1X
-68	Cummins	L-R, 14"2P	2	62-518-29-1X	70	62-35-78	62-19-64	62-15-64-1X
-69	Ford	—	—	—	—	62-35-119	62-19-80-1X	62-15-73-1X
-70	Ford	Long, 13"2P	2	312653	—	62-35-122	62-19-81-1X	62-15-63-1X
-71	Ford	Long, 13"2P	2	312653	—	62-35-122	62-19-81-1X	62-15-70-1X
-72	Am. LaFrance	L-R, 13"2DPB	1	62-518-32-1X	222	62-35-78	62-19-64	62-15-66-1X
-73	Hendrickson	L-R, 14"DLB	2	62-518-27-1X	63	62-35-93	62-19-25	"
-74	Ford	Long, 13"2P	2	62-518-35-1X	—	62-35-122	62-19-81-1X	62-15-63-1X
-75	DINA	Spi., 14"SP	2	62-518-27-1X	14	62-35-98	310729X	62-15-66-1X
-76	DINA	Spi., 14"SP	2	62-518-27-1X	14	62-35-98	310729X	62-15-66-1X
-77	Chrysler	L-R, 14"2P	2	62-518-29-1X	—	62-35-78	62-19-64	62-15-64-1X
-78	Hendrickson	L-R, 14"2LP	2	"	201	62-35-73	310729X	62-15-66-1X
-79	White	Spi., 14"2P	2	"	—	"	"	"
-80	White	Spi., 14"2P	2	"	—	"	"	"
-81	Ford	Spi., 14"2P	2	62-518-30-1X	—	62-35-73	310729X	62-15-63-1X
-82	—	Spi., 14"SP	2	62-518-27-1X	1	62-35-98	"	62-15-66-1X
-83	DINA	L-R, 14"SP	2	"	170	62-35-77	62-19-45	"
-84	DINA	L-R, 14"SP	2	"	170	"	"	"
-85	Mack	Spi., 14"2P	1	62-518-32-1X	—	62-35-73	310729X	"

MODEL 6000 TABULATED BILLS of MATERIAL



Tab No.	Rear Brg. Cap Assy's		Speedometer		(-) Brake Ass'y See Footnote End Yoke or Companion Flange B-17	Shifter		
	Cap Bushing and Seal H-2	Cap and Bushing H-3	Drive Gear B-16	Driven Gear H-8		Housing Assembly Pages 36-39	Lever & Dome Assy. Pages 50-53	Remote Control Pages 40-49

300629—Model 6852-G (Con't)

-41	—	—	—	—	—	312005X	—	—
-42	—	—	—	—	—	"	—	—
-43	—	—	—	—	—	312011X	—	—
-44	—	—	—	—	—	"	—	—
-45	—	—	—	—	—	"	—	—
-46	311069X	311604X	62-452-18	62-453-5	—	312011X	—	—
-47	310210X	310157X	62-452-12	—	—	311104X	—	—
-48	311069X	311604X	"	—	—	"	—	—
-49	—	—	62-452-9	—	—	312630X	—	—
-50	311069X	311604X	—	—	—	312011X	—	—
-51	311069X	311604X	—	—	—	311104X	—	—
-52	310210X	310157X	—	—	—	312012X	—	—
-53	—	—	—	—	—	312011X	—	—
-54	—	—	—	—	—	32553X	—	—
-55	—	—	—	—	—	"	—	—
-56	—	—	—	—	—	312005X	—	—
-57	—	—	—	—	—	"	—	—
-58	312590X	310437X	—	—	5-1-3141	311020X	8091X	—
-59	—	—	62-452-9	—	—	312097X	—	—
-60	—	—	—	—	—	—	—	—
-61	312590X	310437X	—	—	—	8088X	—	310736X
-62	"	"	—	—	—	"	—	"
-63	—	—	—	—	—	312012X	—	—
-64	311069X	311604X	—	—	—	312553X	—	—
-65	"	"	62-452-14	—	—	8088X	—	—
-66	311069X	311604X	—	—	5-4-1661	312011X	—	310736X
-67	—	—	—	—	—	312005X	—	—
-68	311069X	311604X	62-452-2	62-452-1	5-4-1661	311020X	—	—
-69	—	—	—	—	—	312005X	—	—
-70	—	—	—	—	—	312011X	—	—
-71	311069X	311604X	62-452-18	62-453-5	—	312011X	—	—
-72	312590X	310437X	—	—	—	8088X	—	310736X
-73	"	"	62-452-2	—	5-4-1661	"	—	"
-74	—	—	—	—	—	312012X	—	—
-75	312590X	310437X	62-452-13	62-453-10	4-1-3781	"	—	310886X
-76	312590X	310437X	—	—	6-4-2361	312012X	62-16-33-5X	—
-77	311069X	311604X	—	—	—	311020X	—	—
-78	312590X	310437X	—	—	—	8088X	—	310736X
-79	"	"	—	—	—	312538X	—	—
-80	"	"	—	—	—	8088X	—	—
-81	—	—	—	—	—	312011X	—	—
-82	312590X	310437X	62-452-2	62-452-1	5-1-3141	312538X	8091X	—
-83	"	"	—	—	4-1-3781	312012X	—	310886X
-84	"	"	—	—	"	"	62-16-33-3X	—
-85	"	"	—	—	"	312538X	—	—

Tab No.	Used By	For Use With Clutch	Clutch Housing			Main Drive Gear	Front Bearing Cap	Case Assembly
			S A E	Assembly No. E-2	Rel. Code Pages 58-61			
300661—Model 6352								
-1	GMC	L-R, 14"2P	2	312098X	—	62-35-100	312246X	311662X
-2	Flxible	L-R, 14"SP	2	310921X	88	62-35-34	62-19-25	310066X
-3	Kenworth	Spi., 14"2P	2	8019X	201	62-35-37	62-19-22	"
-4	GMC	L-R, 14"2P	2	312098X	—	62-35-100	312246X	311662X
-5	Ford	Long, 13"SP	2	310921X	83	62-35-55	62-19-45	310066X
-6	IHC	Rock, 14"SP	2	102C-474	—	62-35-112	62-19-34	311448X
-7	Kenworth	Spi., 14"SP	2	8019X	201	62-35-37	62-19-22	310066X
-8	IHC	Spi., 14"SP	2	"	—	"	"	"
-9	IHC	Spi., 14"SP	2	"	—	"	"	"
-10	IHC	Rock, 14"SP	2	102C-474	—	62-35-75	62-19-34	311681X
-11	GMC	L-R, 14"2P	2	312098X	—	62-35-100	312246X	311662X
-12	Kenworth	Spi., 14"2P	2	8019X	201	62-35-57	62-19-22	310066X
-13	IHC	Rock, 13"2P	2	73-518-3	—	62-35-112	62-19-73	311545X
-14	Wstrn Flyer	Rock, 14"SP	2	62-518-8	—	62-35-82	62-19-34	310066X
-15	Never Released for Production							
-16	Hendrikson	Spi., 14"2P	2	8019X	212	62-35-37	62-19-22	310066X
-17	IHC	Rock, 14"SP	2	102C-474	—	62-35-82	62-19-34	"
-18	GMC	L-R, 14"2P	—	—	—	62-35-100	312246X	311662X
-19	GMC	L-R, 14"2P	—	—	—	62-35-86	62-19-55	311005X
-20	Dia.-Reo	Long, 13"2P	2	62-518-27-1X	—	62-35-66	62-19-31	62-15-67-1X
-21	Ford	Long, 13"2P	2	312653	—	62-35-106	62-19-78	312006X
-22	Jay Madsen	Rock, 14"SP	—	—	—	62-35-112	62-19-34	310066X
-23	IHC	Rock, 14"SP	2	102C-474	—	62-35-76	"	311487X
-24	Warner-Swasey	Spi., 14"2P	2	8019X	208	62-35-37	62-19-22	310066X
-25	IHC	Rock, 14"SP	2	102C-474	—	62-35-112	62-19-34	"
-26	White	Long, 14"SP	2	311258X	—	62-35-34	62-19-31	62-15-70-3X
-27	Crane Carrier	Rock, 14"SP	2	312283X	97	62-35-66	62-19-25	310066X
-28	Ford	Long, 13"2P	—	—	—	62-35-67	62-19-65	312004X
-29	Ford	Spi., 14"2P	2	62-518-30-1X	—	62-35-37	62-19-22	312006X
-30	Ford	Spi., 14"SP	2	62-518-27-1X	12	62-35-40	"	62-15-63-1X
-31	Ford	Long, 13"2P	2	312653	—	62-35-106	62-19-78	312006X
-32	Frtlnr	L-R, 14"2P	2	62-518-29-1X	—	62-35-86	62-19-64	62-15-66-1X
-33	GMC	L-R, 14"2P	2	312098X	—	62-35-100	312246X	311662X
-34	IHC	Spi., 14"2P	1	310821X	—	62-35-37	62-19-22	310066X
-35	Hendrikson	L-R, 14"SP	1	310971X	42	62-35-34	62-19-25	62-15-66-1X
-36	Ford	Spi., 14"2P	2	8005X	—	62-35-37	62-19-22	312006X
-37	Ford	—	2	"	—	62-35-86	62-19-64	312209X
-38	GMC	L-R, 13"2P	2	311939X	—	"	"	310066X
-39	—	L-R, 14"2P	2	62-518-29-1X	63	"	"	62-15-66-1X
-40	IHC	Rock, 14"SP	2	102C-474	—	62-35-82	62-19-34	311545X
-41	IHC	Rock, 14"SP	2	102C-474	—	62-35-112	62-19-34	311681X
-42	—	L-R, 14"SP	2	312283X	164	62-35-55	62-19-45	62-15-67-7X
-43	White	L-R, 14"SP	2	311258X	—	62-35-34	62-19-31	62-15-67-1X
-44	Dia.-Reo	Long, 13"2P	2	62-518-27-1X	—	62-35-66	"	62-15-71-5X
-45	Ford	Spi., 14"2P	2	8005X	—	62-35-37	62-19-22	312006X

T210-6000

MODEL 6000 TABULATED BILLS of MATERIAL



Tab No.	Rear Brg. Cap Assy's		Speedometer		(-) Brake Ass'y See Footnote End Yoke or Companion Flange B-17	Shifter		
	Cap Bushing and Seal	Cap and Bushing	Drive Gear	Driven Gear		Housing Assembly Pages 36-39	Lever & Dome Assy. Pages 50-53	Remote Control Pages 40-49
	H-2	H-3	B-16	H-8				

300661—Model 6352

-1	311069X	311604X	62-452-9	62-453-8	6-1-2391	312097X	—	—
-2	—	7116X	62-452-3	62-453-5	5-4-1661	8088X	—	310736X
-3	—	"	"	62-453-4	6-1-2221	"	—	—
-4	311069X	311604X	—	—	6-1-2391	312097X	—	—
-5	—	7116X	62-452-3	62-453-4	—	312011X	8091X	—
-6	311069X	311604X	62-452-12	—	—	311104X	—	—
-7	—	7116X	—	—	6-1-2221	8088X	—	—
-8	—	"	—	—	—	"	—	—
-9	—	"	—	—	—	"	311704X	—
-10	310210X	310157X	62-452-12	—	—	312335X	311200X	—
-11	311069X	311604X	—	—	5-4-3091	312097X	—	—
-12	—	7116X	—	—	6-4-2361	8088X	—	—
-13	—	—	—	—	—	311020X	—	—
-14	—	310437X	62-452-6	62-453-9	5-1-3141	8088X	—	310736X
-15	Never Released for Production							
-16	—	7116X	—	—	—	8088X	8091X	—
-17	311069X	311604X	—	—	—	311652X	311704-21X	—
-18	—	—	—	—	—	—	—	—
-19	—	—	—	—	—	—	—	—
-20	311069X	311604X	62-452-14	—	—	8088X	—	—
-21	—	—	—	—	—	312011X	—	—
-22	311069X	311604X	62-452-3	62-453-4	5-1-3141	8088X	—	310736X
-23	310210X	310157X	62-452-12	—	—	312012X	—	—
-24	—	7116X	62-452-3	62-453-4	5-1-3141	8088X	—	310736X
-25	—	"	—	—	—	312012X	—	—
-26	311069X	311604X	62-452-14	—	—	8088X	—	—
-27	—	7116X	—	—	5-1-3141	"	—	310736X
-28	—	—	—	—	—	312005X	—	—
-29	—	—	—	—	—	312011X	—	—
-30	—	—	—	—	—	"	—	—
-31	—	—	—	—	—	312011X	—	—
-32	312590X	310437X	—	—	—	8008X	—	—
-33	—	—	62-452-9	—	—	312097X	—	—
-34	—	7116X	—	—	—	312011X	—	—
-35	311069X	311604X	—	—	—	8088X	8091X	—
-36	—	—	—	—	—	312011X	—	—
-37	—	—	—	—	—	"	—	—
-38	311069X	311604X	62-452-9	—	4-1-3781	312538X	—	311528-1X
-39	"	"	—	—	6-1-2221	311020X	8091X	—
-40	310210X	310157X	—	—	—	312011X	—	—
-41	310210X	310157X	62-452-12	—	—	311104X	—	—
-42	"	"	62-452-2	62-452-1	6-1-2401X(14)	8088X	8091X	—
-43	311069X	311604X	62-452-14	—	—	"	—	—
-44	"	"	"	—	—	"	—	—
-45	—	—	—	—	—	312012X	—	—

(14) 310999 Bendix Brake furnished as an Assembly only. See Pages 34-35

Tab No.	Used By	For Use With Clutch	Clutch Housing			Main Drive Gear A-1	Front Bearing Cap F-2	Case Assembly G-1
			S A E	Assembly No. E-2	Rel. Code Pages 58-61			
300661—Model 6352 (Con't)								
-46	IHC	Rock, 14"SP	—	—	—	62-35-112	62-19-34	62-15-71-1X
-47	IHC	Rock, 13"2P	—	—	—	"	62-19-73	311545X
-48	IHC	Spi., 14"2P	—	—	—	62-35-37	310729X	62-15-68-1X
-49	IHC	Rock, 13"2P	—	—	—	62-35-112	62-19-79-1X	"
-50	IHC	Rock, 13"2P	—	—	—	"	"	"
-51	IHC	Spi., 14"2P	—	—	—	62-35-37	310729X	62-15-68-1X
-52	—	Long, 13"2P	2	311883X	166	62-35-55	62-19-45	310066X
-53	—	Spi., 14"2P	2	8019X	208	62-35-37	62-19-22	"
-54	Ford	Spi., 14"2P	2	62-518-30-1X	—	"	"	62-15-63-1X
-55	Ford	Long, 13"2P	2	312653	—	62-35-106	62-19-78	"
-56	—	Rock, 14"SP	2	310921X	90	62-35-34	62-19-25	310066X
-57	Chrysler	Rock, 14"SP	2	7046X	—	62-35-55	62-19-45	62-15-64-1X
-58	IHC	Rock, 13"2P	—	—	—	62-35-112	62-19-79-1X	62-15-71-1X
-59	Ford	Spi., 14"2P	2	62-518-30-1X	—	62-35-37	62-19-22	62-15-70-1X
-60	Fred E. Cooper	Spi., 14"2P	2	62-518-29-1X	198	"	"	310066X
-61	Fred E. Cooper	Spi., 14"2P	2	62-518-29-1X	198	62-35-37	62-19-22	310066X
-62	Dia.-Reo	Spi., 14"2P	2	"	—	"	"	62-15-67-1X
-63	—	Spi., 14"SP	2	7041X	14	62-35-40	"	310066X
-64	—	L-R, 15"SP	2	312283X	89	62-35-34	62-19-25	"
-65	Cardwell	Spi., 14"SP	2	62-518-27-1X	14	62-35-40	62-19-22	62-15-66-1X
-66	Am. Coleman	L-R, 15"SP	2	62-518-27-1X	78	62-35-34	62-19-25	62-15-66-3X
-67	IHC	Rock, 14"SP	2	102C-474	—	62-35-112	62-19-34	62-15-66-1X
-68	IHC	Rock, 14"SP	2	"	—	"	"	62-15-68-1X
-69	FWD	L-R, 14"2P	1	62-518-27-1X	96	62-35-86	62-19-64	62-15-66-1X
-70	IHC	Rock, 13"2P	—	—	—	62-35-112	62-19-34	62-15-67-5X
-71	GMC	L-R, 14"2P	2	62-518-30-1X	—	62-35-86	62-19-55	311005X
-72	GMC	L-R, 14"2P	2	"	—	"	62-19-66	"
-73	IHC	Rock, 14"SP	2	102C-474	—	62-35-82	62-19-34	62-15-66-1X
-75	Dia.-Reo	Rock, 15"SP	2	311258X	—	62-35-34	62-19-31	62-15-67-1X
-75	IHC	Rock, 13"2P	2	73-518-3	—	62-35-112	62-19-73	62-15-68-1X
-76	IHC	Spi., 14"2P	1	62-518-32-1X	—	62-35-37	62-19-22	62-15-66-1X
-77	IHC	Rock, 13"2P	—	—	—	62-35-112	62-19-73	62-15-68-1X
-78	IHC	Spi., 14"2P	—	—	—	62-35-37	310729X	"
-79	IHC	Rock, 13"2P	—	—	—	62-35-112	62-19-79-1X	"
-80	IHC	Rock, 13"2P	—	—	—	"	"	"
-81	IHC	Spi., 14"2P	—	—	—	62-35-37	310729X	62-15-68-1X
-82	IHC	Rock, 14"SP	2	102C-474	—	62-35-112	62-19-34	62-15-70-1X
-83	IHC	Rock, 14"SP	2	"	—	"	"	62-15-71-1X
-84	IHC	Rock, 14"SP	—	—	—	"	"	"
-85	IHC	Rock, 14"SP	—	—	—	"	62-19-79-1X	"
-86	IHC	Rock, 14"SP	2	102C-474	—	62-35-112	62-19-34	62-15-67-3X
-87	Harnishfeger	L-R, 13"2DPB	2	62-518-29-1X	70	62-35-86	62-19-64	62-15-66-1X
-88	Skytop Rig.	Spi., 14"2P	2	"	198	62-35-37	310729X	"
-89	Gillig	L-R, 15"DP	2	312283X	37	62-35-66	62-19-25	"
-90	Ford	Long, 13"2P	2	312653	—	62-35-106	62-19-78	62-15-70-1X

MODEL 6000
TABULATED BILLS of MATERIAL



Tab No.	Rear Brg. Cap Assy's		Speedometer		(-) Brake Assy See Footnote	Shifter		
	Cap Bushing and Seal	Cap and Bushing	Drive Gear	Driven Gear	End Yoke or Companion Flange	Housing Assembly Pages	Lever & Dome Assy. Pages	Remote Control Pages
	H-2	H-3	B-16	H-8	B-17	36-39	50-53	40-49

300661—Model 6352 (Con't)

-46	—	—	—	—	—	311104X	—	—
-47	—	—	—	—	—	312005X	—	—
-48	—	—	—	—	—	"	—	—
-49	—	—	—	—	—	312553X	—	—
-50	—	—	—	—	—	312005X	—	—
-51	—	—	—	—	—	312553X	—	—
-52	312590X	310437X	—	—	—	312538X	8091X	—
-53	—	7116X	—	—	6-1-2221	8088X	—	310736X
-54	—	—	—	—	—	312011X	—	—
-55	—	—	—	—	—	"	—	—
-56	—	7116X	—	—	6-1-2221	8088X	8091X	—
-57	—	"	—	—	—	311020X	—	—
-58	—	—	—	—	—	312553X	—	—
-59	311069X	311604X	62-452-18	62-453-7	—	312011X	—	—
-60	—	7116X	62-452-2	62-453-4	6-1-2221	8088X	—	310736X
-61	—	7116X	62-452-3	62-453-4	6-1-2221	8088X	8091X	—
-62	311069X	311604X	62-452-14	—	—	"	—	—
-63	—	—	—	—	—	—	—	—
-64	—	7116X	62-452-2	62-452-1	5-1-3151	8088X	—	310736X
-65	—	—	—	—	—	"	—	—
-66	311069X	311604X	—	—	6-1-3141	8088X	8091X	—
-67	"	"	62-452-12	—	—	311104X	—	—
-68	310210X	310157X	"	—	—	"	—	—
-69	312590X	310437X	—	—	—	8088X	8091X	—
-70	311069X	311604X	—	—	—	—	—	—
-71	310210X	310157X	—	—	6-1-2391	312630X	—	—
-72	—	—	62-452-9	—	—	"	—	—
-73	311069X	311604X	—	—	—	311652X	—	—
-74	"	"	62-452-14	—	—	8088X	—	—
-75	—	—	—	—	—	311020X	—	—
-76	311069X	311604X	—	—	—	312011X	—	—
-77	—	—	—	—	—	312005X	—	—
-78	—	—	—	—	—	"	—	—
-79	—	—	—	—	—	312553X	—	—
-80	—	—	—	—	—	312006X	—	—
-81	—	—	—	—	—	312553X	—	—
-82	311069X	311604X	62-452-12	—	—	311104X	—	—
-83	310210X	310157X	"	—	—	"	—	—
-84	—	—	—	—	—	"	—	—
-85	—	—	—	—	—	312553X	—	—
-86	310210X	310157X	62-452-12	—	—	312335X	311200X	—
-87	312590X	310437X	—	—	5-4-1661	"	—	310736X
-88	311069X	311604X	—	—	4-1-3781	8088X	8091X	—
-80	312590X	310437X	—	—	5-1-3141	312012X	—	310736-3X
-90	311069X	311604X	62-452-18	62-453-7	—	312011X	—	—

Tab No.	Used By	For Use With Clutch	Clutch Housing			Main Drive Gear	Front Bearing Cap	Case Assembly
			S A E	Assembly No. E-2	Rel. Code Pages 58-61			
						A-1	F-2	G-1

300661—Model 6352 (Con't)

-91	Never Released for Production							
-93	Fred E. Cooper	Spi., 14"2P	1	62-518-32-1X	198	62-35-37	62-19-22	62-15-66-1X
-93	Waukesha	Spi., 14"2P	1	"	201	"	"	"
-94	—	Spi., 14"2P	2	62-518-29-1X	—	"	310729X	"
-95	Ford	Long, 13"2P	2	62-518-35-1X	—	62-35-106	62-19-78	62-15-63-1X
-96	—	Spi., 14"2P	1	62-518-32-1X	201	62-35-37	62-19-22	62-15-66-1X
-97	White	L-R, 14"2P	2	62-518-29-1X	—	62-35-86	62-19-64	"
-98	Nat'l Chasis	L-R, 13"2P	2	62-518-27-1X	165	62-35-55	62-19-45	"
-99	Ford	—	—	—	—	62-35-67	62-19-65	62-15-73-1X
-100	—	Spi., 14"2P	2	62-518-29-1X	217	62-35-37	62-19-22	62-15-66-1X
-101	Hendrikson	L-R, 14"2P	2	62-518-27-1X	—	62-35-34	62-19-25	62-15-67-3X
-102	Hendrikson	L-R, 14"2P	2	62-518-29-1X	—	62-35-86	62-19-64	"
-103	Ford	—	—	—	—	62-35-117	62-19-80-1X	62-15-73-1X
-104	Ford	Long, 13"2P	2	312653	—	62-35-123	62-19-81-1X	62-15-63-1X
-105	Ford	Long, 13"2P	2	"	—	"	"	62-15-70-1X
-106	Hendrikson	L-R, 14"SP	2	62-518-27-1X	64	62-35-34	62-19-25	62-15-66-1X
-107	Hendrikson	L-R 14"2LP	2	62-518-29-1X	201	62-35-37	310729X	"
-108	Warner-Swasey	L-R, 14"2P	2	"	35	62-35-106	62-19-78	"
-109	—	—	2	62-518-27-1X	32	62-35-55	62-19-45	"
-110	Ford	Long, 13"2P	2	62-518-35-1X	—	62-35-123	62-19-81-1X	62-15-63-1X
-111	—	Long, 13"2P	—	—	—	62-35-106	62-19-78	62-15-63-1X
-112	Mack	Spi., 14"2P	2	62-518-29-1X	—	62-35-37	310729X	62-15-66-1X
-113	Mack	Spi., 14"2P	2	62-518-36-1X	—	"	"	"
-114	Tanguay Ind	L-R, 14"2P	1	62-518-32-1X	210	"	62-19-22	"
-115	Tanguay Ind	L-R, 14"2P	1	"	210	"	"	"
-116	White	Spi., 14"2P	2	62-518-29-1X	—	62-35-37	310729X	62-15-66-1X
-117	White	Spi., 14"2P	2	"	—	"	"	"
-118	Never Released for Production							
-119	Hendrikson	L-R, 14"2LP	2	62-518-29-1X	201	62-3537	310729X	62-15-66-1X
-120	Ford	Spi., 14"2P	2	62-518-30-1X	—	"	"	62-15-63-1X
-121*	—	Spi., 14"2P	1	62-518-32-1X	190	62-35-37	62-19-22	62-15-66-1X
	*Transmission UNSYNCHRONIZED							
-122	Klaver Mfr.	L-R, 14"2P	2	62-518-27-1X	110	62-35-55	62-19-45	62-15-66-1X
-123	Kenworth	Spi., 14"2P	2	62-518-29-1X	201	62-35-37	310729X	"
-124	Crane Carrier	Rock, 14"RT	2	62-518-27-1X	39	62-35-34	310302X	"
-125	White	Spi., 14"2P	2	62-518-29-1X	—	62-35-37	310729X	"
-126	Oshkosh	L-R, 13"2DLB	2	62-518-29-1X	66	62-35-86	62-19-64	62-15-66-1X
-127	Spartan Mtrs	Spi., 14"2P	2	"	206	62-35-37	310729X	62-15-70-1X
-128	Koiviston (Fin)	Spi., 14"2P	1	62-518-32-1X	200	"	"	62-15-66-1X
-129	Spartan Mtrs	Spi., 13"A-L	2	62-518-27-1X	65	62-35-55	62-19-45	62-15-70-1X
-130*	—	Spi., 14"2P	1	62-518-32-1X	190	62-35-37	62-19-22	"
	*Transmission UNSYNCHRONIZED							

MODEL 6000
TABULATED BILLS of MATERIAL



Tab No.	Rear Brg. Cap Assy's		Speedometer		(-) Brake Ass'y See Footnote	Shifter		
	Cap Bushing and Seal	Cap and Bushing	Drive Gear	Driven Gear	End Yoke or Companion Flange	Housing Assembly	Lever & Dome Assy.	Remote Control
	H-2	H-3	B-16	H-8	B-17	Pages 36-39	Pages 50-53	Pages 40-49

300661—Model 6352 (Con't)

-91	Never Released for Production							
-92	312590X	310437X	62-452-3	62-453-4	6-1-2221	8088X	—	310736X
-93	"	"	—	—	—	"	—	"
-94	311069X	311604X	—	—	5-1-3141	"	8091X	—
-95	—	—	—	—	—	312012X	—	—
-96	312590X	310437X	—	—	—	8088X	8091X	—
-97	311069X	311604X	62-452-14	—	—	"	—	—
-98	"	"	—	—	5-4-1661	312012X	—	310736X
-99	—	—	—	—	—	312005X	—	—
-100	312590X	310437X	—	—	6-1-2221	8088X	8091X	—
-101	310210X	310157X	62-452-2	—	5-1-278X	8088X	—	310736X
-102	"	"	"	—	6-1-2801X	"	—	"
-103	—	—	—	—	—	312005X	—	—
-104	—	—	—	—	—	312011X	—	—
-105	311069X	311604X	62-452-18	62-453-7	—	"	—	—
-106	312590X	310437X	62-452-2	—	5-4-1661	8088X	—	310736X
-107	"	"	"	—	"	"	—	"
-108	"	"	62-452-3	62-453-4	5-1-3141	312538X	—	"
-109	311069X	311604X	62-452-2	—	—	8088X	8091X	—
-110	—	—	—	—	—	312012X	—	—
-111	—	—	—	—	—	312011X	—	—
-112	312590X	310437X	—	—	—	"	—	—
-113	"	"	—	—	—	"	—	—
-114	311069X	311604X	—	—	5-1-3141	8088X	—	310736X
-115	"	"	—	—	"	"	8091X	—
-116	312590X	310437X	—	—	—	312538X	—	—
-117	"	"	—	—	—	8088X	—	—
-118	Never Released for Production							
-119	312590X	310437X	62-452-2	—	5-4-1661	8088X	—	310736X
-120	—	—	—	—	—	312011X	—	—
-121	311069X	311604X	—	—	5-1-3141	8088X	—	310736X
-122	311069X	311604X	—	—	5-1-3141	8088X	311741X	—
-123	312590X	310437X	62-452-3	62-453-5	6-4-2361	"	8091X	—
-124	311069X	311604X	—	—	—	"	310083X	—
-125	312590X	310437X	62-452-14	—	—	"	—	—
-126	312590X	310437X	62-452-3	62-453-5	5-4-1661	312012X	—	310736X
-127	"	"	"	"	5-1-3141	312011X	—	"
-128	"	"	"	"	6-1-2221	8088X	—	"
-129	"	"	"	"	5-1-3141	312011X	—	"
-130	311069X	311604X	—	—	—	8088X	—	"

Tab No.	Used By	For Use With Clutch	Clutch Housing			Main Drive Gear A-1	Front Bearing Cap F-2	Case Assembly G-1
			S A E	Assembly No. E-2	Rel. Code Pages 58-61			
300662—Model 6352-B								
-1	GMC	L-R, 14"2P	2	312098X	—	62-35-100	312246X	311662X
-2	White	L-R, 14"SP	2	310921X	—	62-35-34	62-19-25	311238X
-3	IHC	Spi., 14"2P	1	310821X	—	62-35-37	62-19-22	310066X
-4	GMC	L-R, 14"2P	2	312098X	—	62-35-100	312246X	311662X
-5	IHC	Rock, 14"SP	2	102C-474	—	62-35-75	62-19-34	310066X
-6	IHC	Rock, 14"SP	2	102C-474	—	62-35-112	62-19-34	310066X
-7	Chrysler	Rock, 14"SP	2	7046X	—	62-35-55	62-19-45	62-14-64-1X
-8	Chrysler	Rock, 14"SP	1	312057X	—	62-35-34	62-19-25	"
-9	Chrysler	Spi., 14"2P	2	8019X	197	62-35-37	62-19-22	"
-10	IHC	Rock, 14"SP	2	102C-474	—	62-35-75	62-19-34	311487X
-11	IHC	Rock, 13"2P	2	73-518-3	—	62-35-112	62-19-73	311545X
-12	IHC	Rock, 13"2P	2	"	—	"	"	"
-13	Chrysler	Rock, 14"SP	2	7046X	—	62-35-55	62-19-45	311448X
-14	Ford	Long, 13"2P	2	8005X	—	62-35-86	62-19-64	312209X
-15	GMC	—	—	—	—	62-35-100	312246X	311662X
-16	GMC	—	—	—	—	62-35-86	62-19-55	311005X
-17	IHC	Rock, 14"SP	2	102C-474	—	62-35-112	62-19-34	311545X
-18	Chrysler	Rock, 14"SP	2	7046X	—	62-35-55	62-19-45	62-15-64-1X
-19	IHC	Rock, 14"SP	2	102C-474	—	62-35-75	62-19-34	310066X
-20	IHC	Rock, 14"SP	2	"	—	"	"	311487X
-21	Ford	Long, 13"2P	2	312653	—	62-35-106	62-19-78	312006X
-22	GMC	Lipe, 14"2P	2	312098X	—	62-35-100	312246X	311662X
-23	IHC	Rock, 13"2P	2	73-518-3	—	62-35-112	62-19-73	311545X
-24	IHC	Rock, 13"2P	2	"	—	"	"	"
-25	IHC	Rock, 13"2P	2	"	—	"	"	"
-26	Chrysler	Rock, 14"SP	2	62-518-27-1X	—	62-35-55	62-19-45	62-15-70-1X
-27	Ford	—	—	—	—	62-35-67	62-19-65	312004X
-28	Ford	Spi., 14"2P	2	62-518-30-1X	—	62-35-37	62-19-22	312006X
-29	Ford	Spi., 14"2P	2	"	—	"	"	62-15-63-1X
-30	Ford	Long, 13"2P	2	312653	—	62-35-106	62-19-78	312006X
-31	Sicard	L-R, 13"2DL	2	312283X	183	62-35-66	62-19-31	62-15-66-1X
-32	Ford	Spi., 14"2P	2	7041X	12	62-35-40	62-19-22	312006X
-33	Ford	—	2	8005X	—	62-35-86	62-19-64	312209X
-34	Travel Batcher	Spi., 14"2P	—	—	—	62-35-37	62-19-22	312006X
-35	Chrysler	B&B, 14"SP	2	7046X	—	62-35-55	62-19-45	312847X
-36	Peterbilt	L-R, 13"2P	2	311883X	88	62-35-66	62-19-31	310066X
-37	GMC	—	2	312283X	188	62-35-55	62-19-45	312872X
-38	IHC	Spi., 14"2P	1	310821X	—	62-35-37	62-19-22	310066X
-39	IHC	Rock, 13"2P	—	—	—	62-35-112	62-19-73	311545X
-40	IHC	Rock, 14"SP	2	102C-474	—	"	62-19-34	311681X

MODEL 6000 TABULATED BILLS of MATERIAL



Tab No.	Rear Brg. Cap Assy's		Speedometer		(-) Brake Ass'y See Footnote End Yoke or Companion Flange B-17	Shifter		
	Cap Bushing and Seal H-2	Cap and Bushing H-3	Drive Gear B-16	Driven Gear H-8		Housing Assembly Pages 36-39	Lever & Dome Assy. Pages 50-53	Remote Control Pages 40-49

300662—Model 6352-B

-1	311069X	311604X	—	—	6-1-2391	312097X	—	—
-2	—	7116X	—	—	—	8088X	8091X	—
-3	—	"	—	—	—	"	311704X	—
-4	310210X	310157X	—	—	6-1-2801X(13)	312097X	—	—
-5	—	7116X	62-452-5	—	—	8088X	312104X	—
-6	311069X	311604X	62-452-5	—	—	8088X	311200X	—
-7	—	7116X	—	—	5-1-3141	311020X	—	—
-8	—	"	—	—	"	"	—	—
-9	—	"	—	—	"	8088X	311034X	—
-10	310210X	310157X	62-452-5	—	—	"	312104X	—
-11	—	—	—	—	—	311020X	—	—
-12	311069X	311604X	—	—	—	311652X	311704-7X	—
-13	—	7116X	—	—	—	311020X	—	—
-14	—	—	—	—	—	312011X	—	—
-15	—	—	—	—	—	—	—	—
-16	—	—	—	—	—	—	—	—
-17	311069X	311604X	—	—	—	312011X	—	—
-18	—	7116X	—	—	—	311020X	—	—
-19	—	"	—	—	—	312012X	—	—
-20	310210X	310157X	—	—	—	"	—	—
-21	—	—	—	—	—	312011X	—	—
-22	—	—	62-452-9	—	—	312097X	—	—
-23	—	—	—	—	—	311652X	311704-17X	—
-24	—	—	—	—	—	"	311704-18X	—
-25	—	—	—	—	—	"	311704-22X	—
-26	311969X	311604X	—	—	—	311020X	—	—
-27	—	—	—	—	—	312005X	—	—
-28	—	—	—	—	—	312011X	—	—
-29	—	—	—	—	—	312012X	—	—
-30	—	—	—	—	—	312011X	—	—
-31	312590X	310437X	—	—	5-1-3141	8088X	8091X	—
-32	—	—	—	—	—	312011X	—	—
-33	—	—	—	—	—	"	—	—
-34	—	—	—	—	—	"	—	—
-35	—	—	—	—	—	8088X	—	311732X
-36	312590X	310437X	—	—	6-4-2361	8088X	—	—
-37	310210X	310157X	—	—	6-1-2801X	312630X	—	—
-38	—	7116X	—	—	—	312012X	—	—
-39	—	—	—	—	—	312005X	—	—
-40	310210X	310157X	—	—	—	312012X	—	—

(13) 311004 Bendix Brake furnished as an Assembly only. See Pages 34-35

Tab No.	Used By	For Use With Clutch	Clutch Housing			Main Drive Gear	Front Bearing Cap	Case Assembly
			S A E	Assembly No. E-2	Rel. Code Pages 58-61			
-41	IHC	Rock, 14"SP	—	—	—	62-35-112	62-19-34	62-15-71-1X
-42	Chrysler	Spi., 14"2P	1	310821X	—	62-35-37	62-19-22	62-15-64-1X
-43	IHC	Rock, 13"2P	—	—	—	62-35-112	62-19-73	311545X
-44	IHC	Rock, 13"2P	—	—	—	"	62-19-79-1X	62-15-68-1X
-45	IHC	Rock, 13"2P	—	—	—	"	"	"
-46	IHC	Spi., 14"2P	—	—	—	62-35-37	310729X	62-15-68-1X
-47	IHC	Spi., 14"2P	—	—	—	"	"	"
-48	Ford	—	—	—	—	62-35-67	62-19-65	312004X
-49	Ford	Spi., 14"2P	2	62-518-30-1X	—	62-35-37	62-19-22	62-15-63-1X
-50	Ford	Long, 13"2P	2	312563	—	62-35-106	62-19-78	"
-51	IHC	Rock, 13"2P	—	—	—	62-35-112	62-19-79-1X	62-15-70-1X
-52	Ford	Long, 13"2P	2	312653	—	62-35-106	62-19-78	"
-53	Chrysler	Spi., 14"2P	2	62-518-29-1X	—	62-35-37	310729X	62-15-64-1X
-54	IHC	Rock, 14"SP	2	102C-474	—	62-35-112	62-19-34	62-15-66-1X
-55	Chrysler	—	—	—	—	—	—	—
-56	IHC	Rock, 14"SP	2	102C-474	—	62-35-112	62-19-34	62-15-66-1X
-57	IHC	Rock, 14"SP	2	73-518-3	—	"	62-19-73	62-15-68-1X
-58	IHC	Rock, 14"SP	2	102C-474	—	"	62-19-34	62-15-66-1X
-59	IHC	Rock, 14"SP	2	"	—	"	"	62-15-67-3X
-60	IHC	Spi., 14"2P	1	62-518-32-1X	—	62-35-37	62-19-22	62-15-66-1X
-61	IHC	Rock, 13"2P	—	—	—	62-35-112	62-19-73	62-15-68-1X
-62	IHC	Rock, 13"2P	—	—	—	"	"	"
-63	IHC	Rock, 13"2P	—	—	—	"	62-19-79-1X	"
-64	IHC	Rock, 13"2P	—	—	—	"	"	"
-65	IHC	Spi., 14"2P	—	—	—	62-35-37	310729X	—
-66	IHC	Spi., 14"2P	—	—	—	62-35-37	310729X	62-15-68-1X
-67	IHC	Rock, 14"SP	2	102C-474	—	62-35-112	62-19-34	62-15-71-1X
-68	IHC	Rock, 14"SP	—	—	—	"	"	"
-69	IHC	Rock, 13"2P	—	—	—	"	62-19-79-1X	62-15-70-1X
-70	Chrysler	—	—	—	—	62-35-37	310729X	62-15-64-1X
-71	Mack	Spi., 14"2P	2	62-518-29-1X	—	62-35-37	310729X	62-15-66-1X
-72	Mack	Spi., 14"2P	2	"	—	"	"	"
-73	IHC	Spi., 14"2P	2	"	—	"	"	62-15-68-1X
-74	Chrysler	Rock, 14"SP	—	—	—	62-35-55	62-19-45	62-15-64-1X
-75	Am. Fire App.	Spi., 14"2P	2	62-518-29-1X	216	62-35-37	62-19-22	62-15-66-1X
-76	Jay Madsen	L-R, 13"2DLB	2	62-518-29-1X	77	62-35-86	62-19-64	62-15-66-1X
-77	Ford	Long, 13"2P	2	62-518-35-1X	—	62-35-106	62-19-78	62-15-63-1X
-78	FWD	L-R, 14"2DPB	2	62-518-29-1X	95	62-35-86	62-19-64	62-15-66-1X
-79	Ford	Long, 13"2P	2	312653	—	62-35-106	62-19-78	62-15-70-1X
-80	—	Spi., 14"SP	2	62-518-27-1X	—	62-35-40	62-19-22	62-15-66-1X

MODEL 6000
TABULATED BILLS of MATERIAL



Tab No.	Rear Brg. Cap Assy's		Speedometer		(-) Brake Ass'y See Footnote	Shifter		
	Cap Bushing and Seal H-2	Cap and Bushing H-3	Drive Gear B-16	Driven Gear H-8	End Yoke or Companion Flange B-17	Housing Assembly Pages 36-39	Lever & Dome Assy. Pages 50-53	Remote Control Pages 40-49

300662—Model 6352-B (Con't)

-41	310210X	310157X	—	—	—	312012X	—	—
-42	—	7116X	—	—	—	312553X	—	—
-43	—	—	—	—	—	"	—	—
-44	—	—	—	—	—	312005X	—	—
-45	—	—	—	—	—	312553X	—	—
-46	—	—	—	—	—	312553X	—	—
-47	—	—	—	—	—	312005X	—	—
-48	—	—	—	—	—	—	—	—
-49	—	—	—	—	—	312011X	—	—
-50	—	—	—	—	—	"	—	—
-51	—	—	—	—	—	312005X	—	—
-52	311069X	311604X	—	—	—	312011X	—	—
-53	"	"	—	—	—	8088X	—	—
-54	"	"	62-452-5	—	—	311020X	311200X	—
-55	—	—	—	—	—	—	—	—
-56	311069X	311604X	62-452-5	—	—	8088X	311200X	—
-57	—	—	—	—	—	311020X	—	—
-58	311069X	311604X	—	—	—	312011X	—	—
-59	310210X	310157X	—	—	—	312012X	—	—
-60	311069X	311604X	—	—	—	"	—	—
-61	—	—	—	—	—	312005X	—	—
-62	—	—	—	—	—	312553X	—	—
-63	—	—	—	—	—	312005X	—	—
-64	—	—	—	—	—	312553X	—	—
-65	—	—	—	—	—	"	—	—
-66	—	—	—	—	—	312005X	—	—
-67	310210X	310157X	—	—	—	312012X	—	—
-68	"	"	—	—	—	"	—	—
-69	—	—	—	—	—	312005X	—	—
-70	311069X	311604X	—	—	—	—	—	—
-71	311069X	311604X	—	—	6-4-2361	312012X	—	—
-72	"	"	—	—	"	312011X	—	—
-73	"	"	—	—	—	"	—	—
-74	"	"	—	—	—	—	—	—
-75	312590X	310437X	62-452-3	62-453-5	—	8088X	—	310736X
-76	312590X	310437X	62-452-3	62-453-4	—	8088X	—	310736X
-77	—	—	—	—	—	312012X	—	—
-78	312590X	310437X	—	—	—	8088X	8091X	—
-79	311069X	311604X	62-452-18	62-453-5	—	312011X	—	—
-80	—	—	—	—	—	8088X	—	—

Tab No.	Used By	For Use With Clutch	Clutch Housing			Main Drive Gear A-1	Front Bearing Cap F-2	Case Assembly G-1
			S A E	Assembly No. E-2	Rel. Code Pages 58-61			
300662—Model 6352-B (Con't)								
-81	FWD	—	2	62-518-27-1X	95	62-35-55	62-19-45	62-15-66-1X
-82	—	B&B, 12"2P	2	"	—	"	"	"
-83	—	B&B, 14"2P	2	62-518-29-1X	67	62-35-86	62-19-64	"
-84	Ford	—	—	—	—	62-35-67	62-19-65	62-15-73-1X
-85	Ford	—	—	—	—	"	"	"
-86	Ford	—	—	—	—	62-35-117	62-19-80-1X	62-15-73-1X
-87	Ford	—	—	—	—	"	"	"
-88	Ford	Long, 13"2P	2	312653	—	62-35-123	62-19-81-1X	62-15-63-1X
-89	Ford	Long, 13"2P	2	"	—	"	"	62-15-70-1X
-90	Ford	Long, 13"2P	2	62-518-35-1X	—	"	"	62-15-63-1X
-91	Jack Tidd	Spi., 14"2P	1	62-518-32-1X	208	62-35-37	310729X	62-15-70-1X
-92	FWD	L-R, 14"2DPB	2	62-518-29-1X	95	62-35-86	62-19-64	62-15-66-1X
-93	FWD	Spi., 14"2P	2	"	207	62-35-37	62-19-22	"
-94	—	L-R, 13"2DLS	2	"	64	62-35-86	62-19-64	"
-95	FWD	L-R, 14"DLB	2	62-518-27-1X	95	62-35-55	62-19-45	"
-96	Warner-Swasey	L-R, 14"2DPL	2	62-518-29-1X	76	62-35-86	62-19-64	62-15-70-1X
-97	Flextrac	L-R, 14"2SP	2	62-518-27-1X	95	62-35-55	62-19-45	62-15-66-1X
-98	—	Rock, 14"SP	2	"	63	"	"	"
-99	TRUCO	Spi., 14"2P	2	62-518-29-1X	190	62-35-37	310729X	62-15-67-3X
-100	Crane Carrier	Spi., 14"2P	2	"	210	"	"	62-15-66-1X
-101	Ford	Spi., 14"2P	2	62-518-30-1X	—	62-35-37	310729X	62-15-63-1X
-102	Warner-Swasey	L-R, 14"SP	2	62-518-27-1X	100	62-35-55	62-19-45	62-15-70-1X
-103	FWD	L-R, 13"2DLB	2	62-518-29-1X	95	62-35-86	62-19-64	62-15-66-1X
-104	—	Spi., 14"2P	2	"	212	62-35-37	310729X	"
-105	—	Spi., 14"2P	2	62-518-27-1X	—	62-35-40	"	312847X
-106	Omni Busses	B&B, 14"2P	2	62-518-29-1X	67	62-35-86	62-19-64	62-15-66-1X
300664—Model 6352-A								
-1	Kenworth	Spi., 14"2P	2	8019X	201	62-35-37	62-19-22	310066X
-2	GMC	L-R, 14"2P	2	312098X	—	62-35-100	312246X	311662X
-3	Ford	—	—	—	—	62-35-67	62-19-65	312004X
300665—Model 6452								
-1	Ward LaFrance	L-R, 15"SP	2	310921X	100	62-35-31	62-19-45	310066X
-2	IHC	—	2	102C-474	—	62-35-111	62-19-34	311681X
-3	GMC	L-R, 14"2P	2	312098X	—	62-35-103	312246X	311662X
-4	Hahn Mtrs	Spi., 14"2P	1	62-518-29-1X	208	62-35-33	62-19-22	62-15-66-1X
-5	Hahn Mtrs	Spi., 14"2P	2	8019X	208	"	"	310066X
-6	Mack	L-R, 15"SP	1	312057X	43	62-35-49	310302X	310066X
-7	Mack	L-R, 15"SP	1	"	43	"	"	311448X
-8	Mack	L-R, 15"SP	1	"	43	"	"	310066X
-9	Mack	L-R, 15"SP	1	"	43	"	"	311448X
-10	Brockway	L-R, 14"2P	2	311939X	63	62-35-107	62-19-64	310066X

MODEL 6000 TABULATED BILLS of MATERIAL



Tab No.	Rear Brg. Cap Assy's		Speedometer		(-) Brake Ass'y See Footnote	Shifter		
	Cap Bushing and Seal	Cap and Bushing	Drive Gear	Driven Gear	End Yoke or Companion Flange	Housing Assembly Pages	Lever & Dome Assy. Pages	Remote Control Pages
	H-2	H-3	B-16	H-8	B-17	36-39	50-53	40-49

300662—Model 6352-B (Con't)

-81	312590X	310437X	—	—	—	8088X	8091X	—
-82	311069X	311604X	—	—	4-4-2941	312097X	—	—
-83	"	"	62-452-2	62-452-1	4-1-3781	312012X	—	310736X
-84	—	—	—	—	—	312005X	—	—
-85	—	—	—	—	—	—	—	—
-86	—	—	—	—	—	312005X	—	—
-87	—	—	—	—	—	—	—	—
-88	—	—	—	—	—	312011X	—	—
-89	311069X	311604X	—	—	—	"	—	—
-90	—	—	—	—	—	312012X	—	—
-91	312590X	310437X	—	—	5-1-3141	8088X	—	310736X
-92	"	"	—	—	—	312538X	8091X	—
-93	"	"	—	—	—	8088X	—	310736X
-94	"	"	62-452-3	62-453-4	—	"	—	"
-95	"	"	—	—	—	312844X	—	"
-96	312590X	310437X	—	—	5-4-1661	312844X	—	310736-2X
-97	"	"	62-452-2	62-452-1	4-1-3781	8088X	—	310736X
-98	"	"	—	—	—	"	8091X	—
-99	310210X	310157X	62-452-3	62-453-5	5-1-278X	311020X	—	310736X
-100	312590X	310437X	—	—	—	8088X	—	"
-101	—	—	—	—	—	312011X	—	—
-102	312590X	310437X	—	—	5-4-1661	312844X	—	310736-2X
-103	"	"	—	—	—	312538X	—	—
-104	"	"	62-452-3	62-453-5	—	8088X	8091X	—
-105	—	—	—	—	—	"	—	311732X
-106	311069X	311604X	62-452-2	62-452-1	6-4-2361	312012X	—	310736X

300664—Model 6352-A

-1	—	7116X	62-452-3	62-453-4	6-1-2221	8088X	—	—
-2	—	—	62-452-9	—	—	312097X	—	—
-3	—	—	—	—	—	312005X	—	—

300665—Model 6452

-1	—	7116X	—	—	—	8088X	—	310736X
-2	310210X	310157X	62-452-12	—	—	312335X	—	—
-3	"	"	62-452-9	62-453-8	6-1-2801X	312097X	—	—
-4	312590X	310437X	62-452-3	62-453-5	5-1-3141	8088X	—	310736X
-5	—	7116X	62-452-9	62-453-8	"	"	—	"
-6	311069X	311604X	—	—	5-1-3141	312011X	—	310736X
-7	"	"	—	—	"	"	—	"
-8	"	"	—	—	6-1-2221	"	—	"
-9	"	"	—	—	"	"	—	"
-10	—	7116X	—	—	6-4-2361	311020X	310083X	—

Tab No.	Used By	For Use With Clutch	Clutch Housing			Main Drive Gear A-1	Front Bearing Cap F-2	Case Assembly G-1
			S A E	Assembly No. E-2	Rel. Code Pages 58-61			
-11	Ward LaFrance	L-R, 14"2P	2	62-518-29-1X	100	62-35-81	62-19-64	62-15-66-1X
-12	IHC	Rock, 14"SP	—	—	—	62-35-74	62-19-34	310066X
-13	Mack	L-R, 15"SP	1	312057X	43	62-35-49	310302X	"
-14	IHC	Rock, 14"SP	2	102C-474	—	62-35-111	62-19-34	"
-15	Chrysler	Spi., 14"2P	1	62-518-32-1X	—	62-35-33	62-19-22	62-15-64-1X
-16	Mack	L-R, 15"SP	1	312057X	43	62-35-49	310302X	310066X
-17	Mack	L-R, 15"SP	1	"	43	"	"	311448X
-18	Mack	L-R, 15"SP	1	"	43	"	62-19-49	311487X
-19	Mack	L-R, 15"SP	1	"	43	"	310302X	311448X
-20	Hahn Mtrs	Spi., 14"2P	2	8019X	208	62-35-33	62-19-22	310066X
-21	Ford	Spi., 14"2P	2	8005X	—	62-35-33	62-19-22	312006X
-22*	Clev. Trencher	Spi., 14"2P	1	62-518-32-1X	190	"	"	62-15-66-1X
*5th Speeds Blocked Out, Transmission UNSYNCHRONIZED								
23	Mack	L-R, 15"SP	1	312057X	43	62-35-49	62-19-49	311487X
-24	Mack	Spi., 14"SP	2	312283X	105	62-35-41	310729X	310066X
-25	Mack	Spi., 14"SP	2	"	105	"	"	311448X
-26	Mack	Spi., 14"SP	2	312283X	105	62-35-41	310729X	312761X
-27	Mack	Spi., 14"SP	2	"	105	"	"	310066X
-28	Hahn Mtrs	Spi., 14"2P	1	62-518-32-1X	208	62-35-33	62-19-22	62-15-66-1X
-29	Mack	Spi., 14"SP	2	312283X	105	62-35-41	310729X	311448X
-30	Mack	Spi., 14"SP	2	"	105	"	"	311487X
-31	Mack	Spi., 14"SP	2	312283X	105	62-35-41	310729X	311487X
-32	Am. LaFrance	L-R, 15"SP	—	—	—	62-35-35	62-19-25	310066X
-33	Mack	Spi., 14"SP	2	312283X	105	62-35-41	310729X	"
-34	Mack	Spi., 14"2P	1	62-518-32-1X	105	62-35-33	"	62-15-66-1X
-35	Mack	Spi., 14"2P	1	"	105	"	"	62-15-67-3X
-36	Mack	Spi., 14"2P	1	62-518-32-1X	105	62-35-33	310729X	62-15-66-1X
-37	Mack	Spi., 14"2P	1	"	105	"	"	"
-38	Am. LaFrance	L-R, 14"2P	1	"	219	62-35-81	62-19-64	"
-39	Ward LaFrance	L-R, 15"SP	2	312283X	100	62-35-31	62-19-45	"
-40	Mack	Spi., 14"2P	\$	62-518-32-1X	105	62-35-33	310729X	62-15-70-1X
-41	IHC	Rock, 14"SP	2	102C-474	—	62-35-111	62-19-34	62-15-68-1X
-42	IHC	Rock, 14"SP	—	—	—	"	"	62-15-67-5X
-43	IHC	Rock, 14"SP	2	102C-474	—	"	"	62-15-67-3X
-44	Hyster	—	—	—	—	—	—	—
-45	GMC	Spi., 14"2P	2	62-518-31-1X	—	62-35-33	310729X	311662X

MODEL 6000
TABULATED BILLS of MATERIAL



Tab No.	Rear Brg. Cap Assy's		Speedometer		(-) Brake Ass'y See Footnote	Shifter		
	Cap Bushing and Seal H-2	Cap and Bushing H-3	Drive Gear B-16	Driven Gear H-8	End Yoke or Companion Flange B-17	Housing Assembly Pages 36-39	Lever & Dome Assy. Pages 50-53	Remote Control Pages 40-49

300665—Model 6452 (Con't)

-11	312590X	310437X	—	—	—	8088X	—	310736X
-12	—	7116X	—	—	—	"	—	—
-13	311069X	311604X	—	—	5-1-3141	312012X	311542-6X	—
-14	—	7116X	—	—	—	"	—	—
-15	311069X	311604X	—	—	—	312553X	—	—
-16	311069X	311604X	—	—	6-1-2221	312012X	311542-6X	—
-17	"	"	—	—	"	"	"	—
-18	310210X	310157X	—	—	6-1-2401X(14)	312011X	—	310736X
-19	311069X	311604X	—	—	5-1-3141	312012X	311542-6X	—
-20	—	7116X	62-452-3	62-453-5	6-1-2221	8088X	—	310736X
-21	—	—	—	—	—	312694X	—	—
-22	311069X	311604X	—	—	5-1-3141	312435X	—	310736X
-23	310210X	310157X	—	—	5-1-278X(14)	312011X	—	310736X
-24	311069X	3116014X	—	—	5-1-3141	"	—	"
-25	"	"	—	—	"	"	—	"
-26	310210X	310157X	—	—	5-1-278X(14)	312012X	311542-6X	—
-27	311069X	311604X	—	—	5-1-3141	"	"	—
-28	312590X	310437X	62-452-3	62-453-5	"	8088X	—	310736X
-29	311069X	311604X	—	—	"	312012X	311542-6X	—
-30	310210X	310157X	—	—	5-1-278X(14)	312011X	—	310736X
-31	310210X	310157X	—	—	6-1-2401X(14)	312011X	—	310736X
-32	312590X	310437X	—	—	—	8088X	—	"
-33	311069X	311604X	—	—	6-1-2221	312011X	—	"
-34	"	"	—	—	5-1-3141	"	—	"
-35	310210X	310157X	—	—	6-1-2401X(14)	"	—	"
-36	311069X	311604X	—	—	6-1-2221	312011X	—	310736X
-37	"	"	—	—	5-4-1661	312012X	311542-8X	—
-38	312590X	310437X	—	—	—	8088X	—	310736X
-39	"	"	—	—	—	"	—	"
-40	311069X	311604X	—	—	5-1-3141	312011X	—	"
-41	310210X	310157X	—	—	—	311104X	—	—
-42	311069X	311604X	—	—	—	—	—	—
-43	310210X	310157X	—	—	—	312335X	—	—
-44	—	—	—	—	—	—	—	—
-45	—	—	—	—	—	312097X	—	—

(14) 310999 Bendix Brake furnished as an Assembly only. See Pages 34-35

Tab No.	Used By	For Use With Clutch	Clutch Housing			Main Drive Gear A-1	Front Bearing Cap F-2	Case Assembly G-1
			S A E	Assembly No. E-2	Rel. Code Pages 58-61			
300665—Model 6452 (Con't)								
-46	Wstrn Flyer	Long, 17"SP	1	62-518-32-1X	221	62-35-84	62-19-50	62-15-66-1X
-47	GMC	L-R, 14"2P	2	312098X	—	62-35-103	312246X	311662X
-48	GMC	—	—	—	—	62-35-81	62-19-55	311005X
-49	GMC	L-R, 14"2P	2	312098X	—	62-35-103	312246X	311662X
-50	Gillig	Spi., 14"2P	1	62-518-32-1X	191	62-35-33	62-19-22	62-15-66-1X
-51	Jay Madsen	L-R, 14"2DPR	2	312098X	—	62-35-103	312246X	62-15-66-1X
-52	Ford	Spi., 14"2P	2	62-518-30-1X	—	62-35-33	62-19-22	62-15-63-1X
-53*	—	Spi., 14"2P	1	62-518-32-1X	190	"	"	62-15-66-1X
*5th Speeds Blocked Out, Transmission UNSYNCHRONIZED								
-54	Duplex	Spi., 14"2P	2	62-518-29-1X	193	62-35-33	62-19-22	62-15-66-1X
-55	Hendrickson	Rock, 13"2P	2	62-518-34	—	62-35-111	62-19-79-1X	"
-56	—	L-R, 14"2ML	2	62-518-29-1X	62	62-35-81	62-19-64	62-15-66-3X
-57	Mack	Spi., 14"2P	1	62-518-32-1X	105	62-35-33	310729X	62-15-67-3X
-58	—	Spi., 14"2P	2	62-518-30-1X	191	"	"	"
-59	Mack	Spi., 14"2P	1	62-518-32-1X	105	"	"	62-15-66-1X
-60	Mack	Spi., 14"2P	1	"	105	"	"	"
-61	Mack	Spi., 14"2P	1	62-518-32-1X	105	62-35-33	310729X	62-15-66-1X
-62*	Clev. Trencher	Spi., 14"2P	1	"	190	"	62-19-22	"
*5th Speeds Blocked Out, Transmission UNSYNCHRONIZED								
-63	Mack	Spi., 14"2P	1	62-518-32-1X	105	62-35-33	310729X	62-15-66-1X
-64*	—	—	—	—	—	62-35-35	310302X	"
*Reverse Blocked Out								
-65	Mack	Spi., 14"2P	1	62-518-32-1X	105	62-35-33	310729X	62-15-70-1X
-66	Mack	Spi., 14"2P	1	62-518-32-1X	105	62-35-33	310729X	62-15-66-1X
-67*	—	Spi., 14"2P	—	—	—	"	"	"
*5th Speeds Blocked Out, Transmission UNSYNCHRONIZED								
300666—Model 6452-A								
-1	Ward LaFrance	L-R, 15"SP	2	310921X	100	62-35-35	62-19-25	311448X
-2	FrtInr	L-R, 13"2P	2	311939X	—	62-35-81	62-19-64	310066X
-3	GMC	L-R, 14"2P	2	312098X	—	62-35-103	312246X	311662X
-4	Dia.-Reo	Long, 13"2P	2	62-518-27-1X	—	62-35-49	62-19-31	62-15-67-1X
-5	Chrysler	Spi., 14"2P	1	62-518-32-1X	—	62-35-33	62-19-22	62-15-64-1X
-6	Chrysler	Spi., 14"2P	2	62-518-29-1X	—	62-35-33	62-19-22	62-15-64-1X
-7	Chrysler	Rock, 14"SP	2	62-518-27-1X	—	62-35-31	62-19-45	"
-8	Ford	Spi., 14"2P	2	8005X	—	62-35-33	62-19-22	312006X
-9	Ford	Spi., 14"2P	2	62-518-30-1X	—	"	"	62-15-63-1X
-10	Kenworth	Spi., 14"2P	1	310821X	201	"	310729X	62-15-23-1X
-11	Chrysler	Rock, 14"SP	2	62-518-27-1X	—	62-35-31	62-19-45	62-15-64-1X
-12	Chrysler	—	—	—	—	62-35-33	62-19-22	"
-13	Ford	Spi., 14"2P	2	62-518-30-1X	—	"	"	62-15-63-1X
-14	White	Long, 13"2P	2	62-518-29-1X	—	62-35-107	62-19-64	62-15-67-1X

T210-6000

MODEL 6000 TABULATED BILLS of MATERIAL

Spicer®

Tab No.	Rear Brg. Cap Assy's		Speedometer		(-) Brake Ass'y See Footnote	Shifter		
	Cap Bushing and Seal	Cap and Bushing	Drive Gear	Driven Gear	End Yoke or Companion Flange	Housing Assembly Pages	Lever & Dome Assy. Pages	Remote Control Pages
	H-2	H-3	B-16	H-8	B-17	36-39	50-53	40-49

300665—Model 6452 (Con't)

-46	—	—	—	—	5-1-3841	8088X	—	310438X
-47	311069X	311604X	—	—	—	312097X	—	—
-48	—	—	—	—	—	—	—	—
-49	—	—	62-452-9	—	—	312097X	—	—
-50	312590X	310473X	—	—	6-1-2251	312011X	—	310736-3X
-51	312590X	310437X	62-452-2	62-453-3	5-1-3141	8088X	—	311772X
-52	—	—	—	—	—	312011X	—	—
-53	311069X	311604X	62-452-3	62-453-4	5-1-3141	312435X	—	310736X
-54	311069X	311604X	—	—	5-1-3141	8088X	—	310736X
-55	"	"	62-452-12	—	"	312011X	—	"
-56	311069X	311604X	—	—	6-1-2221	8088X	310104X	—
-57	310210X	310157X	—	—	5-1-278X(14)	312011X	—	310736X
-58	"	"	62-452-3	62-453-5	" (14)	312020X	8091X	—
-69	311069X	311604X	—	—	5-4-1661	312011X	—	310736X
-60	"	"	—	—	"	"	—	"
-61	311069X	311604X	—	—	6-4-2361	312012X	311542-8X	—
-62	"	"	—	—	5-1-3141	312435X	—	310736X
-63	311069X	311604X	—	—	6-4-2361	312011X	—	310736X
-64	"	"	—	—	—	312430X	—	"
-65	311069X	311604X	—	—	5-4-1661	312011X	—	310736X
-66	311069X	311604X	—	—	6-4-2361	312011X	—	310736X
-67	"	"	—	—	5-1-3141	312435X	—	"

300666—Model 6452-A

-1	—	7116X	—	—	—	8088X	—	310736X
-2	—	"	—	—	—	"	—	—
-3	310210X	310157X	62-452-9	62-453-8	6-1-2801X	312097X	—	—
-4	311069X	311604X	62-452-14	—	—	8088X	—	—
-5	"	"	—	—	—	312553X	—	—
-6	311069X	311604X	—	—	—	312553X	—	—
-7	"	"	—	—	—	311020X	—	—
-8	—	—	—	—	—	312011X	—	—
-9	—	—	—	—	—	312012X	—	—
-10	311069X	311604X	—	—	6-4-2361	311020X	310083X	—
-11	311069X	311604X	—	—	—	311020X	—	—
-12	"	"	—	—	—	—	—	—
-13	—	—	—	—	—	312011X	—	—
-14	311069X	311604X	62-452-14	—	—	8088X	—	—

(14) 310999 Bendix Brake furnished as an Assembly only. See Pages 34-35

Tab No.	Used By	For Use With Clutch	Clutch Housing			Main Drive Gear	Front Bearing Cap	Case Assembly
			S A E	Assembly No. E-2	Rel. Code Pages 58-61			
300668—Model 6452-E								
-1	Hyster Co	—	—	—	—	62-35-30	310302X	310066X
-2	Ward LaFrance	L-R, 14"2P	2	311939X	100	62-35-81	62-19-64	"
300669—Model 6453								
-1	Ward LaFrance	L-R, 14"2P	1	311699X	100	62-35-81	62-19-64	310066X
-2	Hahn Mtrs	Spi., 14"2P	2	62-518-29-1X	208	62-35-33	62-19-22	"
-3	Hahn Mtrs	Spi., 14"2P	2	8019X	208	"	"	"
-4	Ward LaFrance	L-R, 14"2P	2	62-518-29-1X	76	62-35-81	62-19-64	62-15-66-1X
-5	Warner Swasey	L-R, 14"2P	2	311939X	67	"	"	310066X
-6	Ward LaFrance	L-R, 15"ML	1	310971X	100	62-35-35	62-19-25	310066X
-7	Peter Pirsch	Spi., 14"2P	2	8019X	196	62-35-33	62-19-22	"
-8	Duplex	Spi., 14"2P	8	"	208	"	"	"
-9	Pierre Thibault	L-R, 15"ML	—	—	—	62-35-35	62-19-25	"
-10	—	Rock, 14"TT	2	312283X	97	62-35-31	62-19-45	310498X
-11	Chrysler	Rock, 14"SP	2	7046X	—	62-35-31	62-19-45	62-15-64-1X
-12	Hahn Mts	Spi., 14"SP	1	310821X	208	62-35-33	62-19-22	310066X
-13	Ford	—	—	—	—	62-35-68	62-19-65	312004X
-14	Ward LaFrance	L-R, 15"SP	2	312283X	100	62-35-31	62-19-45	310066X
-15	—	Spi., 14"SP	2	62-518-27-1X	16	62-35-41	62-19-22	"
-16	IHC	Rock, 14"SP	2	102C-474	—	62-35-111	62-19-46	62-15-68-1X
-17	Chrysler	Spi., 14"2P	1	62-518-32-1X	—	62-35-33	62-19-22	62-15-64-1X
-18	Chrysler	Spi., 14"2P	2	62-518-29-1X	—	"	"	"
-19	Ford	Spi., 14"2P	2	62-518-30-1X	—	"	"	62-15-63-1X
-20	Ford	Spi., 14"2P	2	"	—	"	"	"
-21	Ford	Spi., 14"SP	2	62-518-27-1X	12	62-35-41	62-19-22	62-15-63-1X
-22	Ford	Long, 13"2P	2	312653	—	62-35-109	62-19-78	"
-23	Dia.-Reo	Long, 13"2P	2	62-518-27-1X	—	62-35-49	62-19-31	62-15-67-1X
-24	Chrysler	Spi., 14"2P	—	—	—	62-35-33	62-19-22	62-15-64-1X
-25	Mack	Spi., 14"2P	1	62-518-32-1X	105	"	310729X	62-15-67-3X
-26	Mack	Spi., 14"2P	1	62-518-32-1X	105	62-35-33	310729X	62-15-66-1X
-27	—	Spi., 15½"2P	1	"	191	"	62-19-22	"
-28	Mack	Spi., 14"2P	1	"	44	"	310729X	62-15-70-1X
-29	—	Spi., 14"2P	2	62-518-29-1X	208	"	"	62-15-66-1X
-30	Omni buses	L-R, 15"DPB	2	66-518-27-1X	67	62-35-31	62-19-45	"
-31	Ford	—	—	—	—	62-35-68	62-19-65	62-15-73-1X
-32	—	Spi., 14"2P	2	62-518-29-1X	198	62-35-33	310729X	62-15-66-1X
-33	Ford	—	—	—	—	62-35-118	62-19-80-1X	62-15-73-1X
-34	Ford	Long, 13"2P	2	312653	—	62-35-124	62-19-81-1X	62-15-63-1X
-35	Mack	Spi., 14"2P	1	62-518-32-1X	105	62-35-33	310729X	62-15-66-1X

T210-6000

MODEL 6000 TABULATED BILLS of MATERIAL



Tab No.	Rear Brg. Cap Assy's		Speedometer		(-) Brake Ass'y See Footnote	Shifter		
	Cap Bushing and Seal	Cap and Bushing	Drive Gear	Driven Gear	End Yoke or Companion Flange B-17	Housing Assembly Pages 36-39	Lever & Dome Assy. Pages 50-53	Remote Control Pages 40-49
	H-2	H-3	B-16	H-8				

300668—Model 6452-E

-1	311069X	311604X	—	—	—	312430X	—	310736X
-2	—	7116X	—	—	—	8088X	—	"

300669—Model 6453

-1	—	7116X	—	—	—	8088X	—	310736X
-2	—	"	—	—	5-1-3141	"	—	"
-3	—	"	62-452-3	62-453-5	"	"	—	"
-4	312590X	310437X	—	—	—	8088X	—	"
-5	—	7116X	62-452-3	62-453-4	5-1-3141	"	—	"
-6	—	7116X	—	—	—	8088X	—	310736X
-7	311069X	311604X	—	—	5-1-3141	312012X	—	310736-2X
-8	—	7116X	62-452-3	62-453-4	6-1-2221	8088X	—	310736X
-9	—	"	"	"	6-1-3141	"	—	"
-10	—	"	62-452-6	62-453-9	"	"	310083X	—
-11	—	7116X	—	—	—	311020X	—	—
-12	—	"	62-452-3	62-453-4	5-1-3141	8088X	—	310736X
-13	—	—	—	—	—	312005X	—	—
-14	—	7116X	—	—	—	8088X	—	310736X
-15	—	"	62-452-2	62-453-3	5-4-1661	"	8091X	—
-16	310210X	310157X	62-452-12	—	—	311104X	—	—
-17	311069X	311604X	—	—	—	312253X	—	—
-18	"	"	—	—	—	"	—	—
-19	—	—	—	—	—	312011X	—	—
-20	—	—	—	—	—	312012X	—	—
-21	—	—	—	—	—	312011X	—	—
-22	—	—	—	—	—	"	—	—
-23	311069X	311604X	62-452-14	—	—	8088X	—	—
-24	"	"	—	—	—	—	—	—
-25	310210X	310157X	—	—	6-1-2401X(14)	312011X	—	310736X
-26	311069X	311604X	—	—	5-1-3141	312011X	—	310736X
-27	312590X	310437X	—	—	—	"	8091X	—
-28	311069X	311604X	—	—	5-1-3141	"	—	310736X
-29	"	"	62-452-3	62-453-4	"	8088X	—	"
-30	"	"	"	"	"	"	—	"
-31	—	—	—	—	—	312005X	—	—
-32	312590X	310437X	62-452-3	62-453-7	5-4-3091	312012X	—	310736X
-33	—	—	—	—	—	312005X	—	—
-34	—	—	—	—	—	312011X	—	—
-35	311069X	311604X	—	—	5-4-1661	"	—	310736X

(14) 310999 Bendix Brake furnished as an Assembly only. See Pages 34-35

Tab No.	Used By	For Use With Clutch	Clutch Housing			Main Drive Gear	Front Bearing Cap	Case Assembly
			S A E	Assembly No. E-2	Rel. Code Pages 58-61			
300670—Model 6453-A								
-1	IHC	Rock, 14"TT	2	102C-474	—	62-35-111	62-19-34	311545X
-2	Mack	L-R, 15"SP	1	310971X	29	62-35-49	310302X	310066X
-3	Mack	L-R, 15"SP	1	"	29	"	"	"
-4	Mack	L-R, 15"SP	1	312057X	43	"	"	"
-5	Mack	L-R, 15"SP	1	"	43	"	"	311448X
-6	Mack	L-R, 15"SP	1	312057X	43	62-35-49	310302X	310066X
-7	Mack	L-R, 15"SP	1	"	43	"	"	311448X
-8	Chrysler	Spi., 14"2P	1	310821X	—	62-35-33	62-19-22	62-15-64-1X
-9	Chrysler	Spi., 14"2P	2	62-518-29-1X	—	"	"	"
-10	Mack	L-R, 15"SP	1	312057X	43	62-35-49	310302X	310066X
-11	Ford	—	—	—	—	62-35-68	62-19-65	312004X
-12	Ford	Spi., 14"2P	2	62-518-30-1X	—	62-35-33	62-19-22	312006X
-13	Ford	Spi., 14"2P	2	"	—	"	"	"
-14	Ford	Spi., 14"SP	2	7041X	12	62-35-41	"	"
-15	Ford	Long, 13"2P	2	8005X	—	62-35-81	62-19-64	312209X
-16	Ford	Long, 13"2P	2	312653	—	62-35-109	62-19-78	312006X
-17	Mack	Spi., 14"SP	2	312283X	105	62-35-41	310729X	311487X
-18	Mack	Spi., 14"SP	2	"	105	"	"	310066X
-19	Chrysler	Rock, 14"SP	2	7046X	—	62-35-31	62-19-45	62-15-64-1X
-20	Mack	Spi., 14"SP	2	312283X	105	62-35-41	310729X	310066X
-21	Dia.-Reo	Long, 13"2P	2	7046X	—	62-35-49	62-19-31	311793X
-22	Chrysler	Spi., 14"2P	—	—	—	62-35-33	62-19-22	62-15-64-1X
-23	—	Spi., 14"2P	2	8019X	—	"	"	310066X
-24	Mack	Spi., 14"2P	1	310753X	44	"	310729X	311448X
-25	Mack	Spi., 14"2P	1	"	105	"	"	311487X
-26	Mack	Spi., 14"2P	1	"	105	"	"	310066X
300671—Model 6453-B								
-1	—	—	1	310821X	191	62-35-33	62-19-22	310066X
300674—Model 6852								
-1	Bluebird Bus	L-R, 14"2P	1	311699X	87	62-35-65	62-19-64	310066X
-2	Gillig Bros.	Spi., 14"2P	1	310821X	191	62-35-36	62-19-22	"
-3	Crown Coach	Spi., 14"2P	1	"	189	"	"	"
-4	GMC	L-R, 14"2P	2	312098X	—	62-35-101	312246X	311662X
-5	FWD	—	—	—	—	62-35-102	62-19-22	310066X
-6	FWD	L-R, 15"DP	2	310921X	93	62-35-54	62-19-45	310066X
-7	Jay Madsen	L-R, 14"2P	2	311939X	109	62-35-65	62-19-64	"
-8	GMC	L-R, 14"2P	2	312098X	—	62-35-101	312246X	311662X
-9	Crown Coach	Long, 17"SP	1	310802X	24	62-35-65	62-19-50	310066X
-10	Crown Coach	Long, 17"SP	1	"	24	"	"	"
-11	Jay Madsen	L-R, 14"2DPB	2	319939X	109	62-35-65	62-19-64	310066X
-12	GMC	—	—	—	—	"	62-19-55	311005X
-13	Ward LaFrance	L-R, 14"2P	2	62-518-29-1X	76	"	62-19-64	62-15-66-1X
-14	Cummins	Spi., 14"2P	1	310821X	201	62-35-36	62-19-22	310066X
-15	Am. LaFrance	L-R, 15"SP	2	310921X	85	62-35-50	62-19-25	"

MODEL 6000
TABULATED BILLS of MATERIAL



Tab No.	Rear Brg. Cap Assy's		Speedometer		(-) Brake Ass'y See Footnote	Shifter		
	Cap Bushing and Seal	Cap and Bushing	Drive Gear	Driven Gear	End Yoke or Companion Flange	Housing Assembly Pages	Lever & Dome Assy. Pages	Remote Control Pages
	H-2	H-3	B-16	H-8	B-17	36-39	50-53	40-49

300670—Model 6453-A

-1	310210X	310157X	62-452-12	—	—	311104X	—	—
-2	311069X	311604X	—	—	6-1-2221	8088X	—	310736X
-3	"	"	—	—	5-1-3141	"	—	"
-4	"	"	—	—	"	312011X	—	"
-5	"	"	—	—	"	"	—	"
-6	311069X	311604X	—	—	6-1-2221	312011X	—	310736X
-7	"	"	—	—	"	"	—	"
-8	—	7116X	—	—	—	312553X	—	—
-9	—	"	—	—	—	"	—	—
-10	311069X	311604X	—	—	5-1-3141	312011X	311542-6X	—
-11	—	—	—	—	—	312005X	—	—
-12	—	—	—	—	—	312011X	—	—
-13	—	—	—	—	—	312012X	—	—
-14	—	—	—	—	—	312011X	—	—
-15	—	—	—	—	—	"	—	—
-16	—	—	—	—	—	312011X	—	—
-17	310210X	310157X	—	—	5-1-278X(14)	"	—	310736X
-18	311069X	311604X	—	—	5-1-3141	312012X	311542-6X	—
-19	—	7116X	—	—	—	311020X	—	—
-20	311069X	311604X	—	—	5-1-3141	312011X	—	310736X
-21	—	7116X	62-452-14	—	—	8088X	—	—
-22	—	"	—	—	—	—	—	—
-23	—	"	—	—	—	8088X	310035X	—
-24	311069X	311604X	—	—	5-1-3141	312011X	—	310736X
-25	310210X	310157X	—	—	6-1-2401X(14)	"	—	"
-26	310069X	311604X	—	—	5-1-3141	"	—	"

300671—Model 6453-B

-1	312590X	310437X	—	—	—	312011X	8091X	—
----	---------	---------	---	---	---	---------	-------	---

300674—Model 6852

-1	—	7116X	62-452-6	62-453-9	5-1-3151	312452X	—	—
-2	—	"	—	—	6-1-2251	312011X	—	310736-3X
-3	—	"	62-452-3	62-453-5	"	8088X	—	310736X
-4	311069X	311604X	—	—	6-1-2391	312097X	—	—
-5	—	7116X	—	—	—	8088X	—	310736X
-6	—	7116X	—	—	—	8088X	311055X	—
-7	—	"	62-452-3	62-453-4	6-1-2221	"	—	310736X
-8	311069X	311604X	62-452-8	62-453-3	5-4-3091	312097X	—	—
-9	—	7116X	62-452-3	62-453-5	6-1-2251	311020X	—	312599X
-10	—	"	"	"	"	"	—	311656-7X
-11	—	7116X	62-452-3	62-453-4	5-1-3141	8088X	—	310736X
-12	—	—	—	—	—	—	—	—
-13	312590X	310437X	—	—	—	8088X	—	310736-3X
-14	—	7116X	—	—	6-1-2221	"	8091X	—
-15	312590X	310437X	—	—	—	"	—	310736X

(14) 310999 Bendix Brake furnished as an Assembly only. See Pages 34-35

Tab No.	Used By	For Use With Clutch	Clutch Housing			Main Drive Gear A-1	Front Bearing Cap F-2	Case Assembly G-1
			S A E	Assembly No. E-2	Rel. Code Pages 58-61			
300674—Model 6852 (Con't)								
-16	Hahn Mtr	Spi., 14"2P	2	62-518-29-1X	208	62-35-36	62-19-22	62-15-66-1X
-17	Gillig Bros	L-R, 15"SP	2	311883X	95	62-35-54	62-19-45	"
-18	Am. LaFrance	L-R, 14"2P	1	62-518-32-1X	185	62-35-65	62-19-64	"
-19	Maxim Mts	Spi., 14"2P	1	310821X	212	62-35-36	62-19-22	312671X
-20	Am. LaFrance	L-R, 15"SP	1	62-518-23	219	62-35-50	62-19-25	62-15-66-1X
-21	Ward LaFrance	L-R, 15"SP	2	311939X	76	62-35-65	62-19-64	311487X
-22	Oshkosh	L-R, 15"SP	2	62-518-29-1X	61	"	"	62-15-69-1X
-23	Peter Pirsch	Spi., 14"2P	2	8019X	200	62-35-36	62-19-22	310066X
-24	Peter Pirsch	Spi., 14"2P	2	62-518-29-1X	200	"	"	62-15-66-1X
-25	Warner Swasey	L-R, 15"SP	2	310921X	99	62-35-50	62-19-25	310066X
-26	Am. LaFrance	L-R, 15"SP	1	312057X	219	62-35-50	62-19-25	62-15-70-1X
-27	FWD	L-R, 15"SP	2	310921X	94	"	"	310066X
-28	FWD	Spi., 14"2P	1	62-518-32-1X	208	62-35-36	62-19-22	62-15-66-1X
-29	Warner Swasey	L-R, 14"2DPB	2	62-518-29-1X	72	62-35-65	62-19-64	"
-30	Warner Swasey	L-R, 15"SP	2	312283X	99	62-35-50	62-19-25	"
-31	Hahn Mtrs	Spi., 14"2P	2	62-518-29-1X	208	62-35-36	62-19-22	62-15-66-1X
-32	Duplex	Spi., 14"2P	2	8019X	208	"	"	310066X
-33	Peter Pirsch	Spi., 14"2P	2	62-518-29-1X	200	"	"	62-15-66-1X
-34	Pierre Thibault	L-R, 15"SP	2	310921X	99	62-35-54	62-19-45	310066X
-35	Bluebird Bus	L-R, 14"2DL	1	62-518-32-1X	86	62-35-65	62-19-64	62-15-66-1X
-36	Maxim Mtrs	Spi., 14"2P	1	62-518-32-1X	204	62-35-36	62-19-22	62-15-67-7X
-37	Am. LaFrance	L-R, 14"2P	1	310802X	184	62-35-65	62-19-64	311448X
-38	Mack	Spi., 14"2P	1	62-518-32-1X	105	62-35-36	310729X	62-15-66-1X
-39	Mack	Spi., 14"2P	1	"	105	"	"	62-15-70-1X
-40	Jay Madsen	L-R, 14"2P	1	311699X	106	62-35-65	62-19-64	310066X
-41	Ward LaFrance	Spi., 15½"2P	1	310821X	209	62-35-36	62-19-22	310066X
-42	Gillig Bros	L-R, 14"2P	2	8019X	209	"	"	"
-43	Kenworth	Spi., 14"2P	2	"	201	"	"	"
-44	Pierre Thibault	L-R, 15"DP	1	312057X	99	62-35-54	62-19-45	"
-45	Maxim Mtrs	Spi., 14"2P	1	310821X	212	62-35-36	62-19-22	311238X
-46	Foremost	L-R, 15"SP	2	312283X	82	62-35-54	62-19-45	62-15-66-1X
-47	Peter Pirsch	Spi., 14"2P	2	62-518-29-1X	200	62-35-36	62-19-22	310066X
-48	Duplex	L-R, 14"2P	2	"	99	62-35-65	62-19-64	62-15-66-1X
-49	Maxim Mtrs	Spi., 14"2P	1	310821X	212	62-35-36	62-19-22	312670X
-50	Ward LaFrance	Spi., 14"2P	2	62-518-29-1X	209	"	"	62-15-66-1X
-51	Hahn Mtrs	Spi., 14"2P	1	62-518-32-1X	208	62-35-36	62-19-22	62-15-66-1X
-52	Peter Pirsch	Spi., 14"2P	2	8019X	200	"	"	310066X
-53	Peter Pirsch	Spi., 14"2P	2	"	200	"	"	"
-54	Oshkosh	L-R, 14"2P	2	62-518-29-1X	60	62-35-65	62-19-64	62-15-71-7X
-55	Jay Madsen	L-R, 14"2P	2	"	109	"	"	62-15-66-1X
-56	Jay Madsen	L-R, 14"2P	2	62-518-29-1X	109	62-35-65	62-19-64	62-15-66-1X
-57	Mack	Spi., 14"2P	1	62-518-32-1X	105	62-35-36	310729X	62-15-70-1X
-58	Mack	Spi., 14"2P	1	"	105	"	"	62-15-66-1X
-59	Peter Pirsch	Spi., 14"2P	2	62-518-29-1X	200	"	62-19-22	"
-60	FWD	Spi., 14"2P	2	"	208	"	"	"

MODEL 6000
TABULATED BILLS of MATERIAL



Tab No.	Rear Brg. Cap Assy's		Speedometer		(-) Brake Ass'y See Footnote	Shifter		
	Cap Bushing and Seal	Cap and Bushing	Drive Gear	Driven Gear	End Yoke or Companion Flange	Housing Assembly	Lever & Dome Assy.	Remote Control
	H-2	H-3	B-16	H-8	B-17	Pages 36-39	Pages 50-53	Pages 40-49

300674—Model 6852 (Con't)

-16	311069X	311604X	62-452-3	62-453-5	5-1-3141	8088X	—	310736X
-17	312590X	310437X	—	—	"	312011X	—	310736-3X
-18	"	"	—	—	—	8088X	—	310736X
-19	310210X	310157X	—	—	6-1-2401X	"	—	"
-20	312590X	310437X	—	—	—	"	—	"
-21	310210X	310157X	—	—	—	8088X	—	310736-3X
-22	"	"	—	—	6-1-2401X	"	—	310736X
-23	311069X	311604X	62-452-3	62-453-4	5-1-3141	"	310083X	—
-24	"	"	"	62-453-5	"	310451X	—	210736-2X
-25	—	7116X	"	62-453-4	—	8088X	—	310736X
-26	312590X	310437X	—	—	—	8088X	—	310736X
-27	—	7116X	—	—	—	"	311055X	—
-28	312590X	310437X	—	—	—	"	—	310736X
-29	311069X	311604X	62-452-3	62-453-4	5-1-3141	"	—	"
-30	312590X	310437X	"	"	"	"	—	"
-31	311069X	311604X	62-452-3	62-453-5	6-1-2221	8088X	—	310736X
-32	—	7116X	"	"	5-4-1661	"	—	"
-33	311069X	3116014X	"	"	6-1-2221	310451X	—	310736-2X
-34	—	7116X	"	62-453-4	5-1-3141	8088X	—	—
-35	311069X	311604X	62-452-6	62-453-9	5-1-3151	312844X	—	—
-36	310210X	310157X	—	—	5-1-278X	8088X	310633X	—
-37	312590X	310437X	—	—	—	"	—	310736X
-38	311069X	311604X	—	—	6-1-2221	312011X	—	"
-39	"	"	—	—	"	"	—	"
-40	—	7116X	62-452-3	62-453-4	5-1-3151	8088X	—	"
-41	—	7116X	—	—	—	8088X	—	310736X
-42	—	"	—	—	5-1-3141	312011X	—	310736-3X
-43	—	"	—	—	6-1-2221	8088X	310083X	—
-44	—	"	62-452-3	62-453-4	5-1-3141	"	—	310736X
-45	—	"	—	—	"	"	310633X	—
-46	312590X	310437X	—	—	4-1-3781	312538X	—	—
-47	311069X	311604X	62-452-3	62-453-5	5-1-3141	8088X	310083X	—
-48	"	"	"	62-453-4	6-1-2221	"	—	310736X
-49	310210X	310157X	—	—	5-1-278X	"	310633X	—
-50	312590X	310437X	—	—	—	"	—	310736X
-51	312590X	310437X	62-452-3	62-453-4	5-1-3141	8088X	—	310736X
-52	311069X	311604X	"	62-453-3	5-1-3151	310451X	—	310736-2X
-53	"	"	62-452-2	62-453-5	"	"	—	"
-54	310210X	310157X	—	—	6-1-2401X	8088X	—	310736X
-55	312590X	310437X	62-452-3	62-453-7	6-1-2221	"	—	"
-56	312590X	310437X	62-452-3	62-453-4	—	8088X	—	310736X
-57	311069X	311604X	—	—	6-4-2361	312012X	311542-8X	—
-58	"	"	—	—	"	"	"	—
-59	"	"	62-452-3	62-453-3	5-1-3141	310451X	—	310736-2X
-60	312590X	310437X	—	—	—	8088X	—	310736X

Tab No.	Used By	For Use With Clutch	Clutch Housing			Main Drive Gear	Front Bearing Cap	Case Assembly
			S A E	Assembly No. E-2	Rel. Code Pages 58-61			
-61	Am. Fire App.	Spi., 14"2P	2	62-518-29-1X	212	62-35-36	62-19-22	62-15-66-1X
-62	Maxim Mtrs	Spi., 14"2P	1	62-518-32-1X	212	"	"	62-15-67-1X
-63	Pierre Thibault	L-R, 15"DP	2	312283X	99	62-35-50	62-19-25	62-15-66-1X
-64	Maxim Mtrs	Spi., 14"2P	1	62-518-32-1X	204	62-35-36	62-19-22	62-15-66-9X
-65	Never Released for Production							
-66	Fixible	Long, 14"2P	1	62-518-32-1X	223	62-35-72	62-19-50	62-15-66-1X
-67	Maxim Mtrs.	Spi., 14"2P	1	"	212	62-35-36	62-19-22	"
-68	Maxim Mtrs	Spi., 14"2P	1	"	212	"	"	62-15-67-3X
-69	IHC	Spi., 14"2P	2	62-518-29-1X	198	"	"	62-15-66-1X
-70	GMC	L-R, 14"2P	2	312098X	—	62-35-101	312246X	311662X
-71	—	Spi., 14"2P	1	62-518-32-1X	201	62-35-36	62-19-22	62-15-66-1X
-72	Motor Coach	Long, 15"SP	2	62-518-27-1X	220	62-35-54	62-19-45	"
-73	Jay Madsen	L-R, 14"2DP	2	62-518-29-1X	109	62-35-65	62-19-64	62-15-70-1X
-74	Ward LaFrance	L-R, 15"SP	2	312283X	100	62-35-50	62-19-25	62-15-66-1X
-75	Ford	Spi., 14"2P	2	62-518-30-1X	—	62-35-36	62-19-22	62-15-63-1X
-76	Peter Pirsch	Spi., 14"2P	2	62-518-29-1X	200	62-35-36	62-19-22	62-15-66-1X
-77	Pierre Thibault	L-R, 15"SP	1	62-518-32-1X	72	62-35-65	62-19-64	"
-78	Hahn Mtrs	Spi., 14"2P	1	"	208	62-35-36	62-19-22	"
-79	Pierre Thibault	Spi., 14"2P	2	62-518-29-1X	208	"	"	"
-80	—	Spi., 14"2P	2	"	191	"	"	62-15-70-1X
-81	Hahn Mtrs	Spi., 14"2P	1	62-518-32-1X	208	62-35-36	62-19-22	62-15-66-1X
-82	Crown Coach	Spi., 14"2P	1	"	203	"	310729X	"
-83	GMC	L-R, 14"2P	2	62-518-31-1X	—	62-35-65	312246X	311662X
-84	Pierre Thibault	Spi., 14"2P	2	62-518-29-1X	211	62-35-36	62-19-22	62-15-66-1X
-85	Dia.-Reo	Long, 13"2P	2	62-518-27-1X	—	62-35-95	62-19-31	62-15-67-1X
-86	Am. LaFrance	Spi., 14"2P	1	62-518-32-1X	216	62-35-36	62-19-22	62-15-66-1X
-87	Hahn Mtrs	Spi., 14"2P	1	"	208	"	"	"
-88	Duplex	Spi., 14"2P	2	62-518-29-1X	208	"	"	"
-89	—	L-R, 14"2P	1	62-518-32-1X	72	62-35-65	62-19-64	"
-90	—	L-R, 15"2P	2	62-518-27-1X	220	62-35-54	62-19-45	"
-91	Imperial Fire	Spi., 14"2P	1	62-518-32-1X	208	62-35-36	62-19-22	62-15-66-1X
-92	Walter Mtrs	L-R, 14"2LP	1	"	208	"	310729X	"
-93	Maxim	Spi., 14"2P	1	"	212	"	62-19-22	"
-94	Ford	Spi., 14"2P	2	62-518-30-1X	—	"	"	62-15-63-1X
-95	Mack	Spi., 14"2P	1	62-518-32-1X	105	"	310729X	62-15-66-1X
-96	Gillig	L-R, 14"2P	2	62-518-29-1X	209	62-35-36	310729X	62-15-66-1X
-97	Am. Fire	Spi., 15½"SP	1	62-518-32-1X	212	"	62-19-22	"
-98	Hendrickson	Spi., 14"2P	2	62-518-29-1X	212	"	310729X	62-15-70-1X
-99	Ward LaFrance	L-R, 14"2P	1	62-518-32-1X	100	62-35-65	62-19-64	62-15-66-1X
-100	Imperial Fire	Spi., 14"2P	2	62-518-29-1X	208	62-35-36	62-19-22	"

MODEL 6000
TABULATED BILLS of MATERIAL



Tab No.	Rear Brg. Cap Assy's		Speedometer		(-) Brake Ass'y See Footnote	Shifter		
	Cap Bushing and Seal	Cap and Bushing	Drive Gear	Driven Gear	End Yoke or Companion Flange	Housing Assembly Pages	Lever & Dome Assy. Pages	Remote Control Pages
	H-2	H-3	B-16	H-8	B-17	36-39	50-53	40-49

300674—Model 6852 (Con't)

-61	312590X	310437X	62-452-3	62-453-5	—	8088X	—	310736X
-62	310210X	310157X	—	—	6-1-2401X	"	310633X	—
-63	312590X	310437X	62-452-3	62-453-4	5-1-3141	"	—	310736X
-64	"	"	—	—	"	"	310633X	—
-65	Never Released for Production							
-66	312590X	310437X	—	—	5-4-1661	312012X	—	310886X
-67	"	"	—	—	5-1-3141	8088X	—	310736X
-68	310210X	310157X	—	—	5-1-278X	"	—	"
-69	311069X	311604X	—	—	—	311652X	—	—
-70	—	—	62-452-9	—	—	312097X	—	—
-71	311069X	311604X	—	—	—	8088X	8091X	—
-72	—	—	—	—	5-4-1441	"	—	310438X
-73	311069X	311604X	62-452-3	62-453-4	5-1-3141	"	—	310736X
-74	312590X	310437X	—	—	—	"	—	"
-75	—	—	—	—	—	312011X	—	—
-76	311069X	311604X	62-452-3	62-453-5	6-1-2221	8088X	310083X	—
-77	312590X	310437X	"	62-453-4	"	"	—	310736X
-78	311069X	311604X	"	62-453-5	"	"	—	"
-79	312590X	310437X	"	62-453-4	5-1-3141	"	—	"
-80	"	"	—	—	—	312011X	—	"
-81	311069X	311604X	62-452-3	62-453-4	6-1-2221	8088X	—	310736X
-82	312590X	310437X	"	62-453-5	"	311020X	—	311656-7X
-83	—	—	62-452-9	—	—	312097X	—	—
-84	312590X	310437X	62-452-3	62-453-4	6-4-2361	8088X	—	310736X
-85	311069X	311604X	62-452-14	—	—	"	—	—
-86	312590X	310437X	—	—	—	8088X	—	310736X
-87	311069X	311604X	62-452-2	62-452-1	6-1-2221	"	—	"
-88	"	"	62-452-3	62-453-5	5-1-3151	"	—	"
-89	312590X	310437X	62-452-2	62-452-1	6-1-2221	"	8091X	—
-90	"	"	—	—	5-1-3841	"	—	—
-91	312590X	310437X	—	—	5-1-3141	8088X	—	310736X
-92	311069X	311604X	62-452-2	62-453-5	6-1-2221	312012X	—	"
-93	312590X	310437X	—	—	—	8088X	—	"
-94	—	—	—	—	—	312012X	—	—
-95	311069X	311604X	—	—	6-5-2361	312011X	—	310736X
-96	311069X	311604X	—	—	5-1-5131	312011X	—	310736-3X
-97	312590X	310437X	62-452-3	62-453-5	—	8088X	—	310736X
-98	"	"	"	62-453-7	6-4-2361	312011X	—	"
-99	"	"	—	—	—	8088X	—	"
-100	"	"	—	—	5-1-3141	"	—	"

Tab No.	Used By	For Use With Clutch	Clutch Housing			Main Drive Gear	Front Bearing Cap	Case Assembly
			S A E	Assembly No. E-2	Rel. Code Pages 58-61			
300674—Model 6852 (Con't)								
-101	Sicard	Spi., 14"2P	2	62-518-29-1X	201	62-35-36	310729X	62-15-70-1X
-102	Gillig	L-R, 14"2P	2	312283X	95	62-35-54	62-19-45	62-15-66-1X
-103	Omibuses	L-R, 15"DPB	2	62-518-29-1X	67	62-35-65	62-19-64	"
-104	—	Spi., 14"2P	2	"	202	62-35-36	62-19-22	"
-105	Military	L-R, 15"SP	2	312283X	88	62-35-50	62-19-25	"
-106	Ward LaFrance	L-R, 14"SP	2	312283X	100	62-35-54	62-19-45	62-15-66-1X
-107	Mack	Spi., 14"2P	1	62-518-32-1X	105	62-35-36	310729X	"
-108	Mack	Spi., 14"2P	1	"	105	"	"	"
-109	Mack	Spi., 14"2P	1	"	105	"	"	"
-110	Mack	Spi., 14"2P	1	"	105	"	"	62-15-70-1X
-111	Hendrickson	Spi., 14"2P	2	62-518-29-1X	212	62-35-36	310729X	62-15-66-1X
-112	Mack	Spi., 14"2P	1	62-518-32-1X	105	"	"	"
-113	Mack	Spi., 14"2P	1	"	208	"	62-19-22	62-15-70-1X
-114	Mack	Spi., 14"2P	1	"	105	"	310729X	62-15-66-1X
-115	Mack	Spi., 14"2P	1	"	105	"	"	"
-116	Mack	Spi., 14"2P	1	62-518-32-1X	105	62-35-36	310729X	62-15-70-1X
-117	Ford	Spi., 14"2P	2	62-518-30-1X	—	"	"	62-15-63-1X
-118*	Clev. Trencher	Spi., 14"2P	1	62-518-32-1X	198	"	"	62-15-70-1X
*5th Speeds Blocked Out, Transmission UNSYNCHRONIZED								
-119	Crane Carrier	L-R, 14"SP	1	312057X	32	62-35-95	62-19-25	62-15-66-1X
-120	Mack	Spi., 14"2P	1	62-518-32-1X	105	62-35-36	310729X	62-15-70-1X
-121	Maxim	Spi., 14"2P	1	62-518-32-1X	212	62-35-36	62-19-22	62-15-66-1X
-122	Mack	Spi., 14"2P	1	"	105	"	310729X	"
-123	Spartan Mtrs	Spi., 14"2P	2	62-518-29-1X	206	"	"	62-15-70-1X
-124*	Clev. Trencher	Spi., 14"2P	2	62-518-32-1X	190	"	"	"
*4th Speeds Blocked Out, Transmission UNSYNCHRONIZED								
300675—Model 6852-C								
-1	GMC	L-R, 14"2P	2	312098X	—	62-35-101	312246X	311662X
-2	Gillig Bros	Spi., 14"2P	1	310821X	191	62-35-36	62-19-22	310066X
-3	Ward LaFrance	L-R, 15"SP	2	312283X	76	62-35-50	62-19-25	"
300676—Model 6852-D								
-1	GMC	L-R, 14"2P	2	312098X	—	62-35-96	312246X	311662X
-2	GMC	—	—	—	—	62-35-79	62-19-55	312005X
-3	GMC	L-R, 14"2P	2	312098X	—	62-35-96	312246X	311662X
-4	Dia.-Reo	Spi., 14"2P	2	62-518-29-1X	—	62-35-83	62-19-22	311793X
-5	FWD	Spi., 14"2P	2	8019X	207	"	"	310066X
-6	Gillig Bros	L-R, 15"SP	2	311883X	95	62-35-90	62-19-45	310066X
-7	Gillig Bros	Spi., 14"2P	1	310821X	191	62-35-83	62-19-22	"
-8	Jay Madsen	L-R, 14"2DPR	2	312098X	—	62-35-96	312246X	"

T210-6000

MODEL 6000 TABULATED BILLS of MATERIAL



Tab No.	Rear Brg. Cap Assy's		Speedometer		(---) Brake Assy See Footnote	Shifter		
	Cap Bushing and Seal	Cap and Bushing	Drive Gear	Driven Gear	End Yoke or Companion Flange	Housing Assembly Pages	Lever & Dome Assy. Pages	Remote Control Pages
	H-2	H-3	B-16	H-8	B-17	36-39	50-53	40-49

300674—Model 6852 (Con't)

-101	312590X	310437X	62-452-3	62-453-4	6-4-2361	312011X	—	310736X
-102	"	"	—	—	—	"	—	310736-3X
-103	311069X	311604X	62-452-3	62-453-4	5-1-3141	8088X	—	310736X
-104	—	7116X	—	—	6-1-2221	"	310083X	—
-105	311069X	311604X	62-452-3	62-453-5	5-1-3151	"	—	310736X
-106	312590X	310437X	—	—	—	8088X	—	310736X
-107	311069X	311604X	—	—	5-1-3141	312011X	—	310736-5X
-108	"	"	—	—	5-4-1661	"	—	310736X
-109	"	"	—	—	—	312012X	311542-8X	—
-110	"	"	—	—	5-1-3141	312011X	—	310736-5X
-111	312590X	310437X	62-452-3	62-453-7	6-4-2361	312011X	—	310736X
-112	311069X	311604X	—	—	5-4-1661	"	—	310736-5X
-113	312590X	310437X	—	—	5-1-3141	8088X	—	310736X
-114	311069X	311604X	—	—	"	312011X	—	"
-115	"	"	—	—	6-1-2221	"	—	"
-116	311069X	311604X	—	—	5-4-1661	312012X	311542-8X	—
-117	—	—	—	—	—	312011X	—	—
-118	311069X	311604X	—	—	5-1-3141	312435X	—	310736X
-119	312590X	310437X	62-452-3	62-453-5	6-1-2251	8088X	—	310736-2X
-120	311069X	311604X	—	—	6-4-2361	312011X	—	310736X
-121	312590X	310437X	—	—	6-1-2221	8088X	310633X	—
-122	311069X	311604X	—	—	"	312011X	—	310736-5X
-123	312590X	310437X	62-452-3	62-453-5	"	"	—	310736X
-124	311069X	311604X	—	—	5-1-3141	312435X	—	"

300675—Model 6852-C

-1	—	—	62-452-9	—	—	312097X	—	—
-2	—	7116X	—	—	6-1-2251	312011X	—	310736-3X
-3	—	—	—	—	—	8088X	—	"

300676-Model 6852-D

-1	311069X	311604X	—	—	6-1-2391	312097X	—	—
-2	—	—	—	—	—	—	—	—
-3	—	—	62-452-9	—	—	312097X	—	—
-4	—	7116X	62-452-14	—	—	8088X	—	—
-5	—	"	—	—	—	"	—	310736X
-6	—	7116X	—	—	5-1-3141	312011X	—	310736-3X
-7	—	"	—	—	6-1-2251	"	—	"
-8	—	"	62-452-2	62-453-3	5-1-3141	8088X	—	311772X

Tab No.	Used By	For Use With Clutch	Clutch Housing			Main Drive Gear A-1	Front Bearing Cap F-2	Case Assembly G-1
			S A E	Assembly No. E-2	Rel. Code Pages 58-61			
300677—Model 6852-E								
-1	GMC	L-R, 14"2P	2	312098X	—	62-35-96	312246X	311662X
-2	IHC	Rock, 13"2P	2	73-518-3	—	62-35-115	62-19-73	311545X
-3	Mex. De Auto.	L-R, 15"SP	2	310921X	92	62-35-89	62-19-25	310066X
-4	GMC	—	—	—	—	62-35-79	62-19-55	311005X
300678—Model 6852-F								
-1	—	Spi., 14"2P	1	310821X	202	62-35-58	62-19-22	310066X
-2	—	Spi., 14"2P	2	8019X	202	"	"	"
300680—Model 6853								
-1	Kenworth	Spi., 14"2P	2	8019X	201	62-35-36	62-19-22	310066X
-2	Am. LaFrance	L-R, 14"2P	2	311939X	58	62-35-65	62-19-64	"
-3	Ward LaFrance	Spi., 14"2P	1	62-518-32-1X	209	62-35-36	62-19-22	62-15-66-1X
-4	Ward LaFrance	L-R, 14"2P	1	"	100	62-35-65	62-19-64	"
-5	Kenworth	Spi., 14"2P	1	"	201	62-35-36	62-19-22	62-15-66-5X
-6	Hahn Mtrs	Spi., 14"2P	2	62-518-29-1X	208	62-35-36	62-19-22	62-15-66-1X
-7	Am. LaFrance	L-R, 15"SP	1	312057X	219	62-35-50	62-19-25	"
-8	Am. LaFrance	L-R, 14"2P	1	62-518-32-1X	222	62-35-65	62-19-64	"
-9	Am. LaFrance	Spi., 15½"2P	1	"	212	62-35-36	62-19-22	"
-10	Jay Madsen	L-R, 14"2P	2	62-518-29-1X	109	62-35-65	62-19-64	"
-11	Am. LaFrance	L-R, 14"2P	1	62-518-32-1X	222	62-35-65	62-19-64	62-15-70-1X
-12	Pierre Thibault	L-R, 14"2P	1	311699X	99	"	"	310066X
-13	Jay Madsen	L-R, 14"2P	1	"	106	"	"	"
-14	Ward LaFrance	L-R, 14"2P	2	311939X	100	"	"	"
-15	Am. LaFrance	L-R, 15"SP	1	312057X	173	62-35-50	62-19-25	311448X
-16	Peter Pirsch	Spi., 14"2P	2	8019X	196	62-35-36	62-19-22	310066X
-17	Jay Madsen	L-R, 14"2P	2	311939X	109	62-35-65	62-19-64	311448X
-18	Ward LaFrance	L-R, 15"DPB	2	312283X	100	62-35-50	62-19-25	310066X
-19	Warner Swasey	L-R, 14"2P	2	311939X	72	62-35-65	62-19-64	"
-20	Hahn Mtrs	Spi., 14"2P	1	62-518-32-1X	208	62-35-36	62-19-22	62-15-66-1X
-21	Ward LaFrance	I-R, 14"2P	2	62-518-29-1X	101	62-35-65	62-19-64	62-15-70-1X
-22	Hahn Mtrs.	Spi., 14"2P	2	"	208	62-35-36	62-19-22	62-15-66-1X
-23	Jay Madsen	L-R, 14"2P	2	311939X	109	62-35-65	62-19-64	310066X
-24	Ward LaFrance	Spi., 14"2P	2	62-518-29-1X	209	62-35-36	62-19-22	62-15-66-1X
-25	FWD	Spi., 14"2P	2	"	208	"	"	310066X
-26	Pattiebone	Spi., 14"2P	2	62-518-29-1X	212	62-35-36	62-19-22	310066X
-27	Jay Madsen	L-R, 14"2P	1	62-518-32-1X	106	62-35-65	62-19-64	62-15-70-1X
-28	FWD	Spi., 14"2P	1	"	207	62-35-36	62-19-22	62-15-66-1X
-29	Seagrave	L-R, 14"2P	2	62-518-29-1X	67	62-35-65	62-19-64	"
-30	Seagrave	L-R, 14"2P	2	"	67	"	"	62-15-67-3X
-31	Never Released for Production							
-32	Hahn Mtrs	Spi., 14"2P	2	62-518-29-1X	208	62-35-36	62-19-22	310066X
-33	Hahn Mtrs	Spi., 14"2P	2	"	208	"	"	62-15-66-1X
-34	Warner Swasey	Spi., 14"2P	2	"	208	"	"	62-15-70-1X
-35	Hahn Mtrs	Spi., 14"2P	2	"	208	"	"	62-15-66-1X

MODEL 6000
TABULATED BILLS of MATERIAL



Tab No.	Rear Brg. Cap Assy's		Speedometer		(—) Brake Assy See Footnote End Yoke or Companion Flange B-17	Shifter		
	Cap Bushing and Seal H-2	Cap and Bushing H-3	Drive Gear B-16	Driven Gear H-8		Housing Assembly Pages 36-39	Lever & Dome Assy. Pages 50-53	Remote Control Pages 40-49

300677—Model 6852-E

-1	310210X	310157X	62-452-9	62-453-8	6-1-2801X(13)	312097X	—	—
-2	—	—	—	—	—	311020X	—	—
-3	—	7116X	—	—	6-1-2221	8088X	—	310736X
-4	—	—	—	—	—	—	—	—

300678—Model 6852-F

-1	—	7116X	—	—	—	8088X	8091X	—
-2	—	"	—	—	—	"	"	—

300680—Model 6853

-1	—	7116X	62-452-3	62-453-4	6-1-2221	8088X	—	—
-2	—	"	—	—	—	"	—	310736X
-3	312590X	310437X	—	—	—	"	—	"
-4	"	"	—	—	—	"	—	"
-5	"	"	62-452-3	62-453-4	—	"	310083X	—
-6	312590X	310437X	62-452-3	62-453-4	5-1-3141	8088X	—	310736X
-7	"	"	—	—	—	"	—	"
-8	"	"	—	—	—	"	—	"
-9	"	"	—	—	—	"	—	"
-10	"	"	62-452-3	62-453-4	5-1-3141	"	—	"
-11	312590X	310437X	—	—	—	8088X	—	310736X
-12	—	7116X	62-452-3	62-453-4	5-1-3141	"	—	"
-13	—	"	"	"	5-1-3151	"	—	"
-14	—	"	—	—	—	"	—	"
-15	312590X	310437X	—	—	—	"	—	"
-16	311069X	311604X	62-452-2	62-453-3	5-1-3141	312012X	—	310736-2X
-17	—	7116X	62-452-3	62-453-4	"	8088X	—	310736X
-18	—	"	—	—	—	"	—	"
-19	—	"	62-452-3	62-453-4	5-1-3141	"	—	"
-20	312590X	310437X	"	62-453-5	6-1-2221	"	—	"
-21	312590X	310437X	—	—	—	8088X	—	310736X
-22	"	"	62-452-2	62-452-1	5-1-3141	"	—	"
-23	—	7116X	62-452-3	62-453-4	—	"	—	"
-24	312590X	310437X	—	—	—	"	—	"
-25	—	7116X	—	—	—	"	—	"
-26	—	7116X	—	—	—	8088X	8091X	—
-27	312590X	310437X	62-452-3	62-453-4	6-1-2221	"	—	310736X
-28	"	"	—	—	—	"	—	"
-29	"	"	—	—	6-1-2221	"	—	"
-30	310210X	310157X	—	—	6-1-2401X(14)	"	—	"
-31	Never Released for Production							
-32	312590X	310437X	62-452-3	62-453-5	5-1-3141	8088X	—	310736X
-33	"	"	"	62-453-4	6-1-2221	"	—	"
-34	"	"	"	"	5-1-3141	"	—	"
-35	"	"	"	62-453-5	6-1-2221	"	—	"

(13) 311004 Bendix Brake furnished as an Assembly only. See Pages 34-35

(14) 310999 Bendix Brake furnished as an Assembly only. See Pages 34-35

Tab No.	Used By	For Use With Clutch	Clutch Housing			Main Drive Gear	Front Bearing Cap	Case Assembly
			S A E	Assembly No. E-2	Rel. Code Pages 58-61			
300680—Model 6853 (Con't)								
-36	Hahn Mtrs	Spi., 14"2P	1	62-518-32-1X	208	62-35-36	62-19-22	62-15-66-1X
-37	Hahn Mtrs	Spi., 14"2P	1	"	208	"	"	"
-38	Mack	Spi., 14"2P	1	"	105	"	310729X	"
-39	—	L-R, 14"2P	1	"	79	62-32-65	62-19-64	"
-40	—	—	—	—	—	"	"	"
-41	Am. Fire App.	Spi., 15½"2P	1	62-518-32-1X	212	62-35-36	62-19-22	62-15-66-1X
-42	—	Spi., 14"2P	2	62-518-29-1X	198	"	"	"
-43	Mack	Spi., 14"2P	1	62-518-32-1X	105	"	310729X	"
-44	Hahn Mtrs.	Spi., 14"2P	1	"	208	"	62-19-22	"
-45	Peter Pirsch	Spi., 14"2P	2	62-518-29-1X	200	"	"	"
-46	—	Spi., 14"2P	1	62-518-32-1X	209	62-35-36	310729X	62-15-64-1X
-47	Ward LaFrance	L-R, 14"2P	1	"	100	62-35-65	62-19-64	62-15-70-1X
-48	Maxim Mtrs	Spi., 14"2P	1	"	212	62-35-36	62-19-22	62-15-66-1X
-49	Maxim Mtrs	Spi., 14"2P	1	"	212	"	"	62-15-67-3X
-50	Peter Pirsch	Spi., 14"2P	2	62-518-29-1X	45	"	"	62-15-66-1X
-51	—	Spi., 14"2P	1	—	—	62-35-36	310729X	62-15-67-3X
-52	Maxim Mtrs	Spi., 14"2P	1	62-518-32-1X	212	"	62-19-22	62-15-66-1X
-53	Maxim Mtrs	Spi., 14"2P	1	"	212	"	"	62-15-67-3X
-54	Never Released for Production							
-55	—	Spi., 13"2P	2	62-518-29-1X	212	62-35-36	62-19-22	62-15-67-3X
-56	Hendrickson	L-R, 14"2P	2	"	201	"	310729X	62-15-66-1X
300681—Model 6853-A								
-1	FWD	L-R, 15"SP	2	310921X	93	62-35-50	62-19-25	310066X
-2	Ward LaFrance	L-R, 15"SP	1	311699X	100	62-35-65	62-19-64	310641X
-3	FWD	Spi., 14"2P	1	310821X	208	62-35-36	62-19-22	310066X
-4	—	Spi., 14"2P	2	7041X	15	62-35-54	62-19-45	"
-5	Seagrave	Spi., 14"2P	2	311939X	67	62-35-65	62-19-64	"
-6	Seagrave	Spi., 14"2P	2	311939X	67	62-35-65	62-19-64	311487X
-7	Ward LaFrance	Spi., 14"2P	2	"	100	"	"	310066X
-8	FWD	Spi., 14"2P	2	62-518-29-1X	208	62-35-36	62-19-22	"
300682—Model 6853-B								
-1	Peter Pirsch	Spi., 14"2P	2	8019X	196	62-35-36	62-19-22	310066X
-2	Maxim Mtrs	Spi., 14"2P	1	62-518-32-1X	212	"	"	62-15-70-1X
-3	Am. LaFrance	L-R, 15"SP	1	312057X	27	62-35-50	62-19-25	310066X
-4	—	Spi., 14"2P	2	8019X	196	62-35-36	62-19-22	310940X
-5	Ward LaFrance	L-R, 15"SP	2	312283X	100	62-35-50	62-19-25	310066X
-6	FWD	Spi., 14"2P	1	62-518-32-1X	208	62-35-36	62-19-22	62-15-66-1X
-7	Am. LaFrance	L-R, 15"2P	1	312057X	222	62-35-50	62-19-25	"
-8	Peter Pirsch	Spi., 14"2P	2	8019X	196	62-35-36	62-19-22	310066X
-9	Peter Pirsch	Spi., 14"2P	2	62-518-29-1X	196	"	"	62-15-66-1X
-10	Cummins	Spi., 14"2P	1	62-518-32-1X	201	"	310729X	62-15-67-3X

MODEL 6000
TABULATED BILLS of MATERIAL



Tab No.	Rear Brg. Cap Assy's		Speedometer		(-) Brake Assy See Footnote	Shifter		
	Cap Bushing and Seal H-2	Cap and Bushing H-3	Drive Gear B-16	Driven Gear H-8	End Yoke or Companion Flange B-17	Housing Assembly Pages 36-39	Lever & Dome Assy. Pages 50-53	Remote Control Pages 40-49

300680—Model 6853 (Con't)

-36	312590X	310437X	62-452-3	62-453-4	6-1-2221	8088X	—	310736X
-37	"	"	62-452-2	62-452-1	"	"	—	"
-38	311069X	311604X	—	—	"	312011X	—	310736X
-39	312590X	310437X	—	—	—	"	—	"
-40	—	—	—	—	—	—	—	—
-41	312590	310437X	62-452-3	62-453-5	—	8088X	—	310736X
-42	311069X	311604X	—	—	6-1-2251	"	—	"
-43	"	"	—	—	6-4-2361	312011X	—	"
-44	312590X	310437X	62-452-2	52-453-6	6-1-2221	8088X	—	"
-45	311069X	311604X	62-452-3	62-453-3	"	312012X	—	310736-2X
-46	312590X	310437X	62-452-2	52-453-6	6-1-2221	8088X	—	310736X
-47	"	"	—	—	—	"	—	"
-48	"	"	—	—	6-1-2221	"	—	"
-49	310210X	310157X	—	—	6-1-2401X	"	—	"
-50	311069X	311604X	62-452-2	52-453-6	6-1-2221	312012X	—	310736-2X
-51	310210X	310157X	62-452-3	62-453-4	5-1-278X	312011X	—	310736X
-52	312590X	310437X	—	—	6-1-2221	8088X	310633X	—
-53	310210X	310157X	—	—	6-1-2401X	"	"	—
-54	Never Released for Production				—	—	—	—
-55	312590X	310437X	—	—	5-1-3141	312011X	8091X	—
-56	"	"	62-452-2	—	—	"	—	310736X

300681—Model 6853-A

-1	—	7116X	—	—	—	8088X	—	310736X
-2	—	"	—	—	—	"	310104X	—
-3	—	"	—	—	—	"	—	310736X
-4	—	"	—	—	—	"	8091X	—
-5	—	"	—	—	6-1-2221	"	—	310736X
-6	310210X	310157X	—	—	6-1-2401X(14)	8088X	—	310736X
-7	—	7116X	—	—	—	"	—	"
-8	—	"	—	—	—	"	—	"

300682—Model 6853-B

-1	311069X	311604X	—	—	6-1-2261	312012X	—	310736-2X
-2	312590X	310437X	—	—	5-1-3141	8088X	—	310736X
-3	"	"	—	—	—	"	—	"
-4	311069X	311604X	62-452-2	62-452-1	—	"	310083X	—
-5	—	7116X	—	—	—	"	—	310736X
-6	312590X	310437X	—	—	—	8088X	—	310736X
-7	"	"	—	—	—	"	—	"
-8	311069X	311604X	62-452-2	62-452-1	5-1-3141	312012X	—	310736-2X
-9	"	"	62-452-2	52-453-6	"	"	—	"
-10	310210X	310157X	—	—	5-1-278X(14)	8088X	8091X	—

(14) 310999 Bendix Brake furnished as an Assembly only. See Pages 34-35

Tab No.	Used By	For Use With Clutch	Clutch Housing			Main Drive Gear A-1	Front Bearing Cap F-2	Case Assembly G-1
			S A E	Assembly No. E-2	Rel. Code Pages 58-61			
300682—Model 6853-B (Con't)								
-11	Peter Pirsch	Spi., 14"2P	2	8019X	196	62-35-36	62-19-22	310066X
-12	Maxim Mtrs	Spi., 14"2P	1	62-518-32-1X	212	"	"	62-15-67-3X
-13	Peter Pirsch	Spi., 14"2P	2	62-518-29-1X	196	"	"	62-15-66-1X
-14	Peter Pirsch	Spi., 14"2P	2	8019X	196	"	"	310066X
-15	Peter Pirsch	Spi., 14"2P	2	62-518-29-1X	200	"	"	62-15-66-1X
-16	FWD	Spi., 14"2P	2	8019X	207	62-35-36	62-19-22	310066X
-17	Peter Pirsch	Spi., 14"2P	2	62-518-29-1X	200	"	"	62-15-66-1X
-18	Peter Pirsch	Spi., 14"2P	2	"	196	"	"	"
-19	Ward LaFrance	L-R, 14"2P	2	"	100	62-35-65	62-19-64	"
-20	Ward LaFrance	Spi., 15½"2P	1	62-518-32-1X	209	62-35-36	62-19-22	"
-21	Maxim Mtrs	Spi., 14"2P	1	62-518-32-1X	212	62-35-36	62-19-22	62-15-66-1X
-22	Ward LaFrance	L-R, 15"SP	1	312057X	100	62-35-50	62-19-25	"
-23	Maxim Mtrs	Spi., 14"2P	1	62-518-32-1X	212	62-35-36	62-19-22	"
-24	Peter Pirsch	Spi., 14"2P	2	62-518-29-1X	196	"	"	"
-25	Peter Pirsch	Spi., 14"2P	2	"	196	"	"	"
-26	Peter Pirsch	Spi., 14"2P	2	62-518-29-1X	196	62-35-36	62-19-22	62-15-66-1X
-27	Maxim Mtrs	Spi., 14"2P	1	62-518-32-1X	212	"	"	62-15-67-7X
-28	Peter Pirsch	Spi., 14"2P	2	62-518-29-1X	200	"	"	62-15-70-1X
-29	Peter Pirsch	Spi., 14"2P	2	"	196	"	"	62-15-66-1X
-30	Imperial Fire App	Spi., 14"2P	1	62-518-32-1X	208	"	"	"
-31	FWD	Spi., 14"2P	2	62-518-29-1X	212	62-35-36	62-19-22	62-15-66-1X
-32	FWD	Spi., 14"2P	2	"	208	"	"	"
-33	Am. LaFrance	L-R, 14"2P	1	62-518-32-1X	222	62-35-65	62-19-64	"
-34	Maxim Mtrs	Spi., 14"2P	1	"	204	62-35-36	62-19-22	62-15-66-9X
-35	Maxim Mtrs	Spi., 14"2P	1	"	204	"	"	62-15-67-7X
-36	Maxim Mtrs	Spi., 14"2P	1	62-518-32-1X	212	62-35-36	62-19-22	62-15-66-1X
-37	Maxim Mtrs	Spi., 14"2P	1	"	212	"	"	62-15-67-3X
-38	—	Spi., 14"2P	2	62-518-29-1X	196	"	"	62-15-66-3X
-39	Pierre Thibault	L-R, 14"2P	1	62-518-32-1X	99	62-35-65	62-19-64	62-15-66-1X
-40	FWD	Spi., 14"2P	2	62-518-29-1X	208	62-35-36	62-19-22	62-15-70-1X
-41	Skytop Rig.	Spi., 14"2P	2	"	198	"	"	62-15-66-1X
300683—Model 6853-D								
-1	—	—	2	8019X	208	62-35-36	62-19-22	310066X
-2	—	—	2	"	208	"	"	311448X
300698—Model 6352-E								
-1	—	L-R, 14"2P	2	310921X	104	62-35-55	62-19-45	310066X
-2	Ford	—	2	62-518-30-1X	—	62-35-86	62-19-64	312209X
-3	Ford	Long, 13"2P	2	312653	—	62-35-106	62-19-78	"
-4	Ford	Long, 13"2P	2	"	—	"	"	62-15-63-1X
-5	White	Long, 15½"SP	2	312283X	—	62-35-34	62-19-25	311238X

MODEL 6000
TABULATED BILLS of MATERIAL



Tab No.	Rear Brg. Cap Assy's		Speedometer		(—) Brake Ass'y See Footnote	Shifter		
	Cap Bushing and Seal H-2	Cap and Bushing H-3	Drive Gear B-16	Driven Gear H-8	End Yoke or Companion Flange B-17	Housing Assembly Pages 36-39	Lever & Dome Assy. Pages 50-53	Remote Control Pages 40-49

300682—Model 6853-B (Con't)

-11	311069X	311604X	62-452-2	62-453-3	5-1-3141	312012X	—	310736-2X
-12	310210X	310157X	—	—	6-1-2401X	8088X	—	310736X
-13	311069X	311604X	62-452-2	52-453-6	5-1-3141	"	310083X	—
-14	"	"	"	62-453-1	"	"	"	—
-15	"	"	62-452-3	62-453-3	"	312012X	—	310736-2X
-16	—	7116X	—	—	—	8088X	310083X	—
-17	311069X	311604X	62-452-3	62-453-3	6-1-2221	312012X	—	310736-2X
-18	"	"	62-452-2	52-453-6	6-1-2261	"	—	"
-19	312590X	310437X	—	—	—	8088X	—	310736X
-20	"	"	—	—	—	"	—	"
-21	312590X	310437X	—	—	5-1-3141	8088X	310633X	—
-22	"	"	—	—	—	"	—	310736X
-23	"	"	—	—	6-1-2221	"	310633X	—
-24	311069X	311604X	62-452-3	62-453-3	6-1-2261	312012X	—	310736-2X
-25	"	"	62-452-2	52-453-6	6-1-2221	"	—	"
-26	311069X	311604X	62-452-3	62-452-1	5-1-3141	312012X	—	310736-2X
-27	310210X	310157X	—	—	5-1-278X	8088X	310633X	—
-28	311069X	311604X	62-452-3	62-453-3	5-1-3141	312012X	—	310736-2X
-29	"	"	62-452-2	62-452-1	6-1-2221	8088X	310083X	—
-30	312590X	310437X	62-452-3	62-453-4	5-1-3141	"	—	310736X
-31	312590X	310437X	62-452-3	62-453-5	—	8088X	—	310736X
-32	"	"	—	—	—	"	—	"
-33	"	"	—	—	—	312012X	—	"
-34	"	"	—	—	5-1-3141	8088X	310633X	—
-35	310210X	310157X	—	—	5-1-278X	"	"	—
-36	312590X	310437X	—	—	5-1-3141	8088X	—	310736X
-37	310210X	310157X	—	—	5-1-278X	"	—	"
-38	312590X	310437X	62-452-2	52-453-6	5-1-3151	"	310083X	—
-39	311069X	311604X	62-452-3	62-453-4	5-1-3141	"	—	310736X
-40	312590X	310437X	—	—	—	"	—	"
-41	"	"	—	—	4-1-3781	"	8091X	—

300683—Model 6853-D

-1	—	7116X	—	—	—	8088X	—	310736X
-2	—	"	—	—	—	"	—	"

300698—Model 6352-E

-1	—	7116X	62-452-6	62-453-9	4-1-3781	8088X	310104X	—
-2	—	—	—	—	—	312011X	—	—
-3	—	—	—	—	—	"	—	—
-4	—	—	—	—	—	"	—	—
-5	311069X	311604X	—	—	—	8088X	—	—

Tab No.	Used By	For Use With Clutch	Clutch Housing			Main Drive Gear	Front Bearing Cap	Case Assembly
			S A E	Assembly No. E-2	Rel. Code Pages 58-61			
300698—Model 6352-E (Con't)								
-6	Ford	—	—	—	—	62-35-67	62-19-65	312004X
-7	White	L-R, 14"2P	2	311258X	—	62-35-34	62-19-31	62-15-67-1X
-8	White	L-R, 14"2P	2	62-518-29-1X	—	62-35-86	62-19-64	"
-9	Ford	Long, 13"2P	2	312653	—	62-35-106	62-19-78	62-15-70-1X
-10	Ford	Long, 13"2P	2	"	—	"	"	312166X
-11	Ford	Spi., 14"2P	2	62-518-30-1X	—	62-35-37	62-19-22	62-15-63-1X
-12	Ford	—	2	"	—	62-35-86	62-19-64	62-15-70-1X
-13	Ford	Long, 13"2P	2	312653	—	62-35-106	62-19-78	62-15-63-1X
-14	Never Released for Production							
-15	Ford	—	2	62-518-30-1X	—	62-35-86	62-19-64	62-15-70-1X
-16	White	Spi., 14"2P	2	62-518-29-1X	—	62-35-37	310729X	62-15-66-1X
-17	IHC	Rock, 13"2P	—	—	—	62-35-112	62-19-79-1X	62-15-68-1X
-18	Ford	—	—	—	—	62-35-67	62-19-65	62-15-73-1X
-19	Ford	—	—	—	—	62-35-117	62-19-80-1X	"
-20	Ford	Long, 13"2P	2	312653	—	62-35-123	62-19-81-1X	62-15-70-1X
-21	Ford	Long, 13"2P	2	312653	—	62-35-123	62-19-81-1X	62-15-63-1X
-22	—	Spi., 14"SP	2	312283X	105	62-35-40	310729X	62-15-66-1X
-23	Ford	Spi., 14"2P	2	62-518-30-1X	—	62-35-37	"	62-15-63-1X
300701—Model 6852-A								
-1	Seagrave	L-R, 14"2P	1	310753X	94	62-35-65	62-19-64	310066X
300747—Model 6855-C								
-1	FrtInr	Spi., 14"2P	1	310613X	—	62-35-83	62-19-22	310728X
300773—Model 6852-J								
-1	Duplex	Spi., 14"2P	2	8019X	204	62-35-73	62-19-22	310066X
300775—Model 6852-L								
-1	FWD	Spi., 14"2P	2	8019X	212	62-35-73	62-19-22	310066X
300839—Model 6452								
-1	—	—	—	—	—	62-35-108	—	62-15-60
300999—Model 6852-Q								
-1	DINA	L-R, 14"DL	2	312283X	169	62-35-90	62-19-45	62-15-66-1X
-2	DINA	Spi., 14"2P	2	62-518-29-1X	199	62-35-83	310729X	"

MODEL 6000 TABULATED BILLS of MATERIAL

Tab No.	Rear Brg. Cap Assy's		Speedometer		(—) Brake Ass'y See Footnote End Yoke or Companion Flange B-17	Shifter		
	Cap Bushing and Seal H-2	Cap and Bushing H-3	Drive Gear B-16	Driven Gear H-8		Housing Assembly Pages 36-39	Lever & Dome Assy. Pages 50-53	Remote Control Pages 40-49

300698—Model 6352-E (Con't)

-6	—	—	—	—	—	312005X	—	—
-7	312590X	310437X	62-452-14	—	—	8088X	—	—
-8	"	"	—	—	—	"	—	—
-9	311069X	311604X	62-452-18	62-453-7	—	312011X	—	—
-10	"	"	62-452-19	62-453-9	—	"	—	—
-11	—	—	—	—	—	312011X	—	—
-12	311069X	311604X	—	—	—	"	—	—
-13	—	—	—	—	—	"	—	—
-14	Never Released for Production							
-15	311069X	311604X	62-452-18	62-453-7	—	312011X	—	—
-16	312590X	310437X	62-452-14	—	—	8088X	—	—
-17	—	—	—	—	—	312005X	—	—
-18	—	—	—	—	—	"	—	—
-19	—	—	—	—	—	"	—	—
-20	312069X	311604X	62-452-18	62-453-7	—	312011X	—	—
-21	—	—	—	—	—	312011X	—	—
-22	311069X	311604X	—	—	5-1-3141	"	—	310736X
-23	—	—	—	—	—	"	—	—

300701—Model 6852-A

-1	—	7116X	—	—	6-1-2221	8088X	—	310736X
----	---	-------	---	---	----------	-------	---	---------

300747—Model 6855-C

-1	—	7116X	—	—	—	310469X	—	—
----	---	-------	---	---	---	---------	---	---

300773—Model 6852-J

-1	—	7116X	62-452-3	62-453-5	5-1-3141	8088X	—	310736X
----	---	-------	----------	----------	----------	-------	---	---------

300775—Model 6852-L

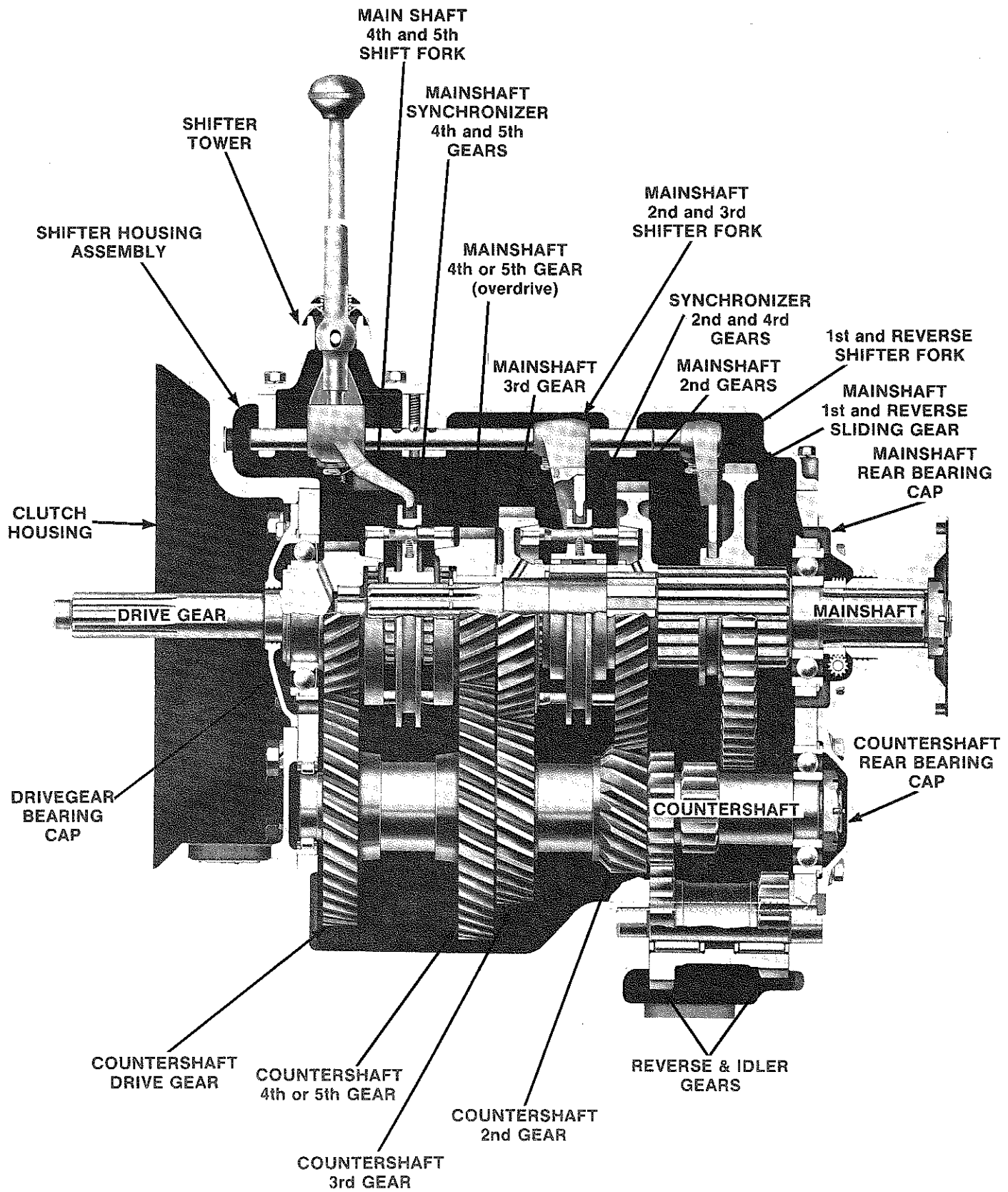
-88	7116X	—	—	—	8088X	310104X	—	—
-----	-------	---	---	---	-------	---------	---	---

300839—Model 6452

-1	—	—	—	—	—	311020X	—	311732X
----	---	---	---	---	---	---------	---	---------

300999—Model 6852-Q

-1	312590X	310437X	62-452-13	62-453-10	4-1-3781	312012X	—	310886X
-2	"	"	—	—	6-4-2361	"	62-16-33-3X	—





14700 Helm Court
Plymouth, MI 48170
(800) 401-9866 or (734) 456-3770
Fax: (734) 456-3739
www.ttcautomotive.com

