



Bulletin No. SPTP004-0306

March 2006

**9 SPEED
TRANSMISSION
PARTS LIST**

MODELS:

PS95-9A

PS125-9A

PSO140-9A

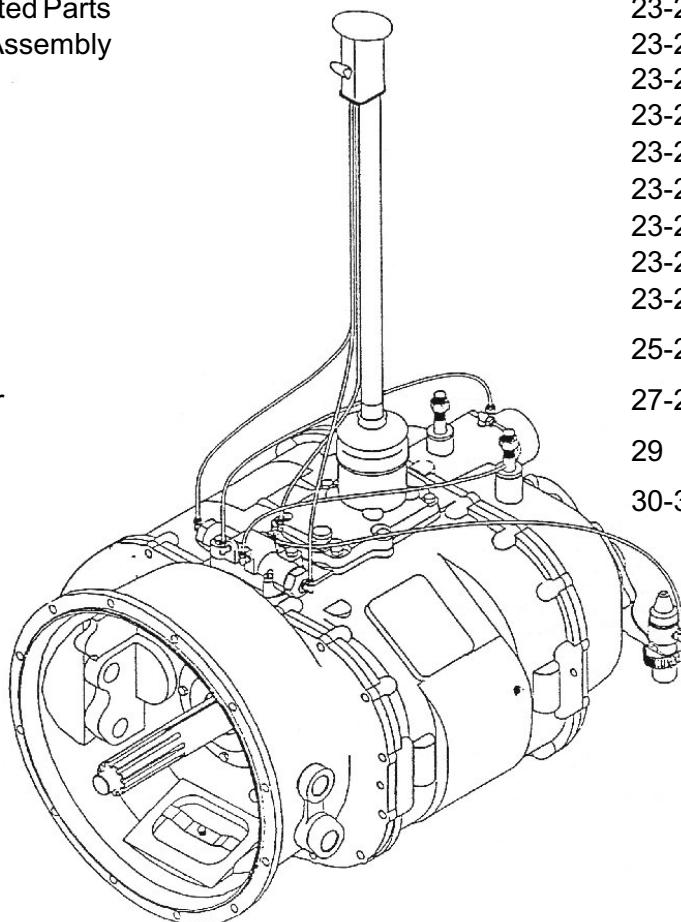
PSO150-9A

**9 Speed
Transmission**



Parts Catalog

Ratio Table	3
Gears and Related Parts - Main Section	4-11
Drive Gear Group	4-5
Mainshaft Group	4-5
Countershaft Group	6-7
Gears and Related Parts - Range Section	8-11
Counter shaft and Synchronizer Group	8-9
Mainshaft Group	10-11
End Yoke Table	11
Clutch Housing Group	12-14
Drive Gear Bearing Cap Group	12-14
Main Case Group	12-14
Optilube Pump	15-16
Williams Air Control and Interlock Group	17-18
Shift Bar and Fork Assembly.	19-20
Range Case Group	21-22
Range Piston Housing and Shift Fork Group	21-22
Countershaft Bearing Cap Group	21-22
Rear Bearing Cap Group	21-22
Shift Tower Assembly and Related Parts	23-24
Upper Shift Lever and Knob Assembly	23-24
Shift Knob Assembly	23-24
Shift Lever Isolator	23-24
Air Harness	23-24
Floor Board Boot	23-24
Upper Shift Lever	23-24
Lower Shift Lever and Tower	23-24
Tower Control Housing	23-24
Remote Control Assembly...	25-26
Overhaul Kits - Major and Minor	27-28
Air Control Plumbing Diagram	29
Bill of Materials	30-32



RATIO TABLE

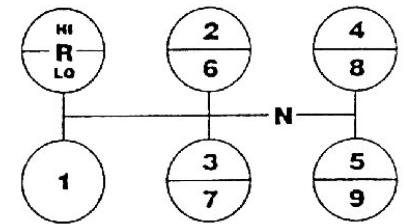
Model	PS125-9A, PS95-9A	PSO140-9A PSO125-9A PSO150-9A
Speeds		
1st	13.95	10.40
2nd	9.05	6.74
3rd	6.51	4.85
4th	4.77	3.55
5th	3.55	2.65
6th	2.55	1.90
7th	1.83	1.37
8th	1.34	1.00
9th	1.00	.75
Rev	14.30	10.65

IDENTIFICATION

SHIFT PATTERN

The Name Plate NP-202 affixed to the rear left hand side of the Transmission is stamped with Information.

In requesting more information on the Transmissions, please furnish this information.



**SD-PS-9N
Shift Pattern Decal**

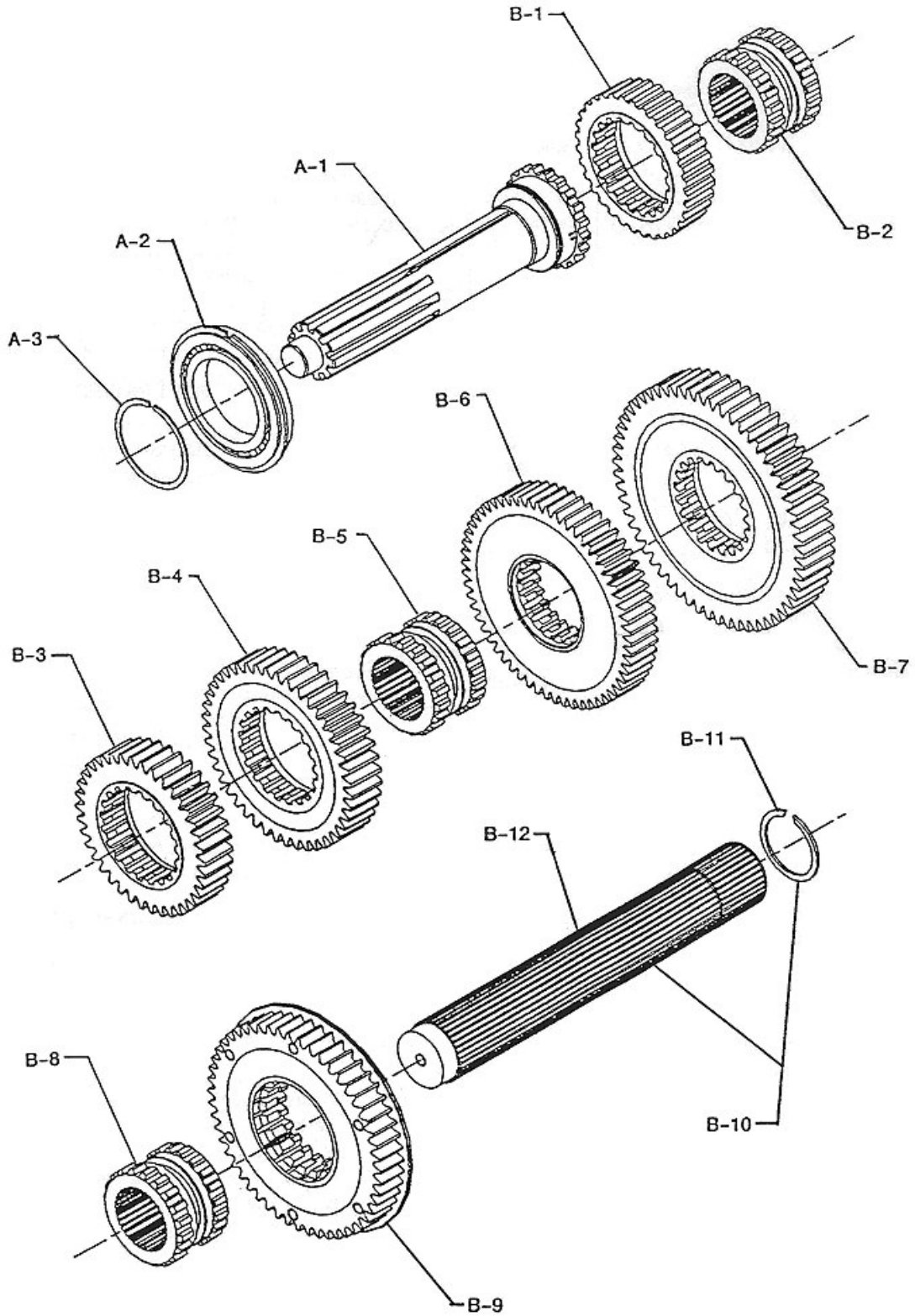
B/M

Serial

Model

Navistar No.

Abbreviations used in this parts list include:
 N.S. - Not Shown
 N.S.S. - Not Sold Separately
 N.R. - Not Required
 A.R. - As Required

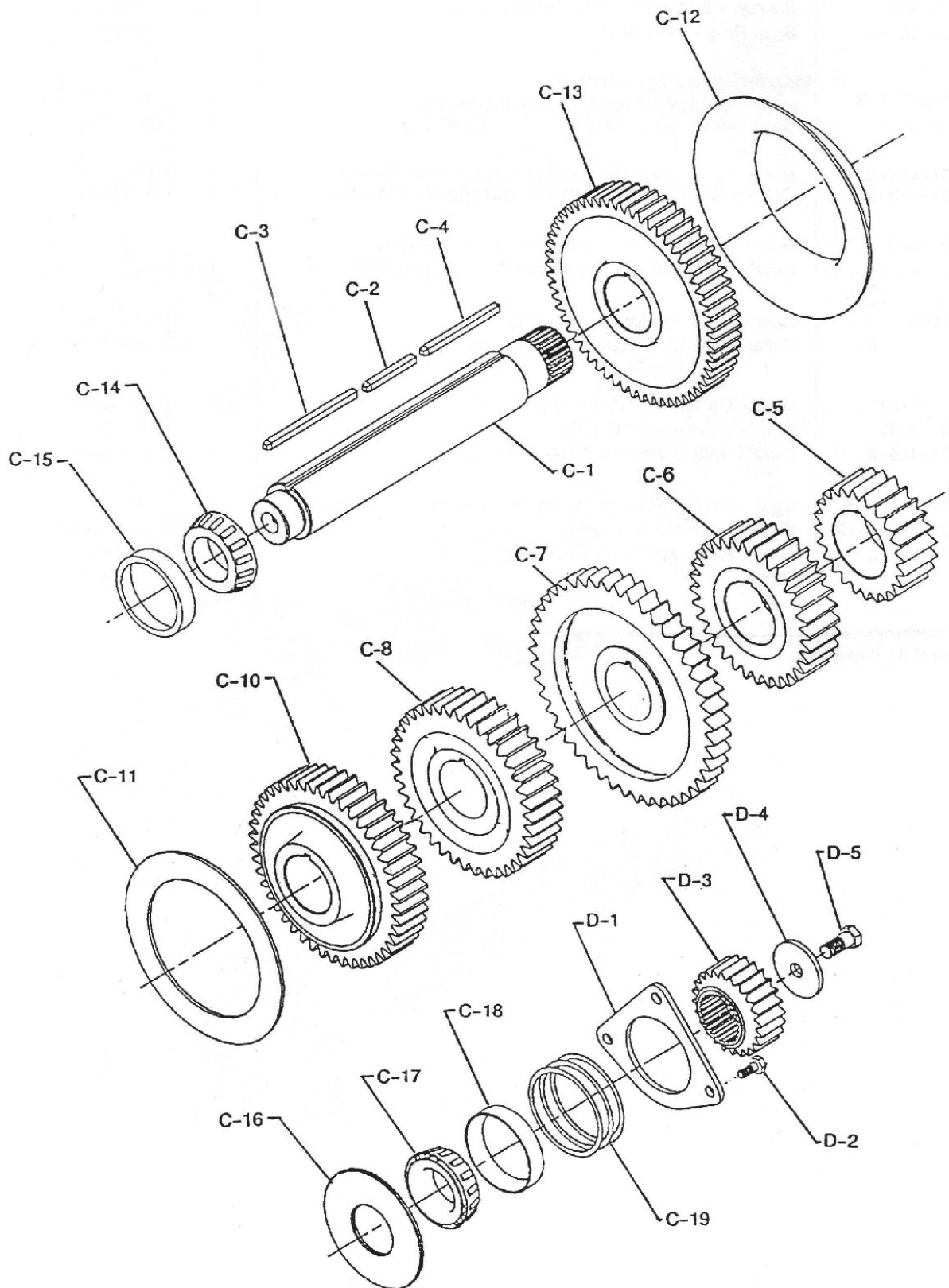


Ref. No.	Part No.	Description	Quantity
Drive Gear Group-Input Main Section			
A-1	201-35-2	Shaft-Input 2.00"-10 spline #306 (1.180" dia.) Pilot	1
A-1	201-35-6	Shaft-input 1.75"-10 spline #205 (.983" dia.) Pilot	1
A-1	201-35-7	Shaft-input 1.75"-10 spline #306 (1.180" dia.) pilot	1
A-2	313645X	S/Assy. - Bearing & Belleville Snap Ring	1
A-3	201-381-1	Snap Ring - Input Shaft	1
Mainshaft Group Main Section			
B-1	201-8-16 NLA	Use 201-8-43-1X Kit	1
	201-8-43	Gear Drive (5th & 9th) (40T) (for PS Direct Transmission)	1
or	201-8-2	Gear - Drive (4th & 8th) (38T) (for PSO-Overdrive Transmission)	1
B-2	201-465-2	Collar - M/S Clutch (4th, 5th & 8th, 9th) (for PS Direct Transmission)	1
or	201-465-5	Collar - M/S Clutch (4th, 5th & 8th, 9th) (for PSO-Overdrive Transmission)	1
B-3	201-8-2	Gear - Mainshaft (4th & 8th) (38T) (for PS Direct Transmission)	1
or	201-8-16 NLA	Use 201-8-43-1X Kit	1
	201-8-43	Gear-Mainshaft (5th & 9th) (40T) (for PSO-Overdrive Transmission)	
B-4	201-8-4	Gear - Mainshaft (3rd & 7th) (44T)	1
B-5	201-465-2	Collar - M/S Clutch (2nd, 3rd & 6th, 7th)	1
B-6	201-8-37	Gear - Mainshaft (2nd & 6th) (58T)	1
B-7	201-8-35	Gear - Mainshaft (1st) (58T)	1
B-8	201-465-2	Collar - M/S Clutch (1st & Rev.)	1
B-9	201-8-10-1X	Gear - M/Shaft Reverse (Includes Thrust Ring & Reivets)	1
B-10	201-362-1-1X	Kit - Mainshaft & Snap Ring	1
B-11	201-381-3	Snap Ring - Mainshaft Drive Gear - Range	1
B-12	N.S.S.	Mainshaft	1

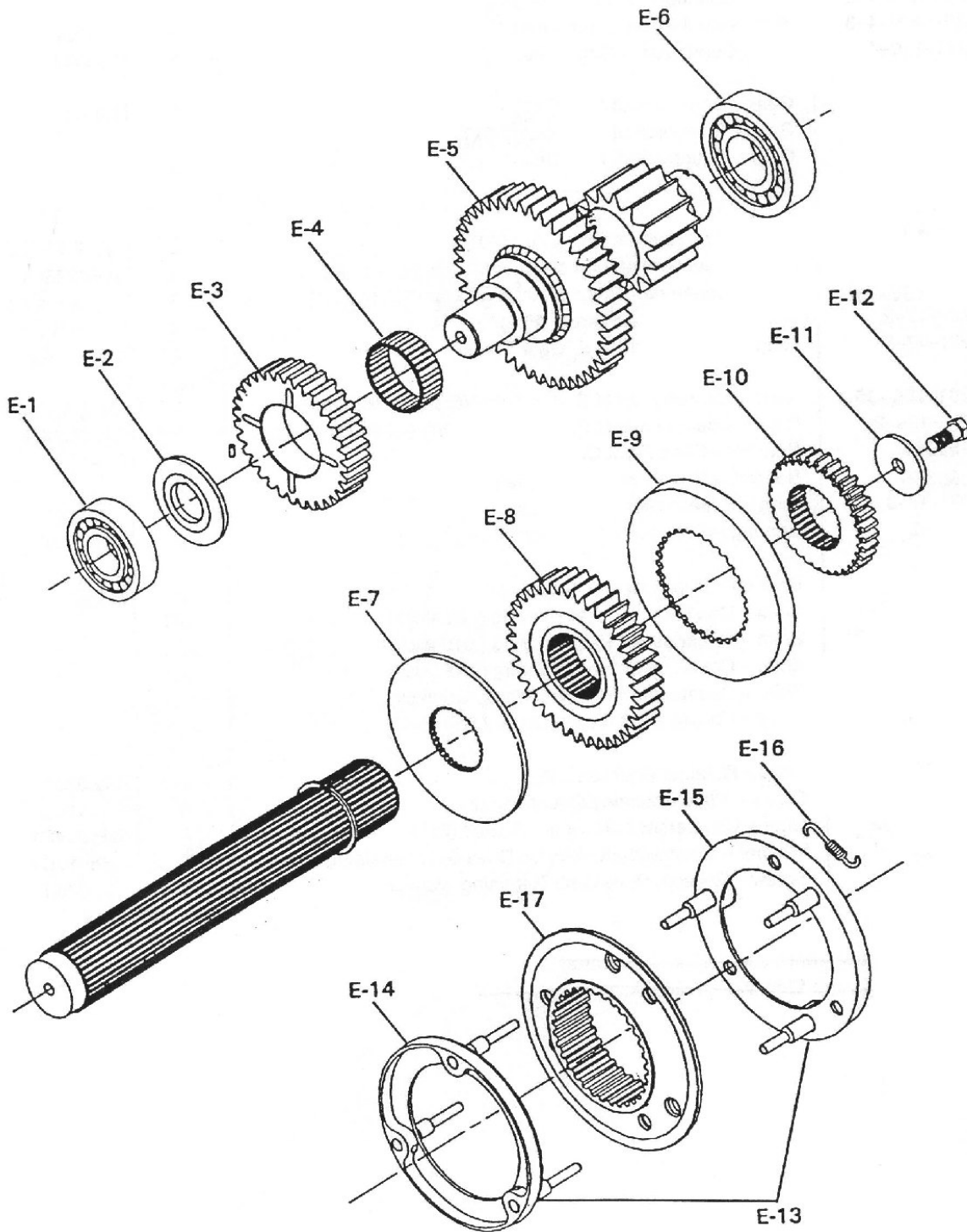
For kits refer to pg's.22 - 24

N.S.S Not Sold Separately

NLA No Longer Available



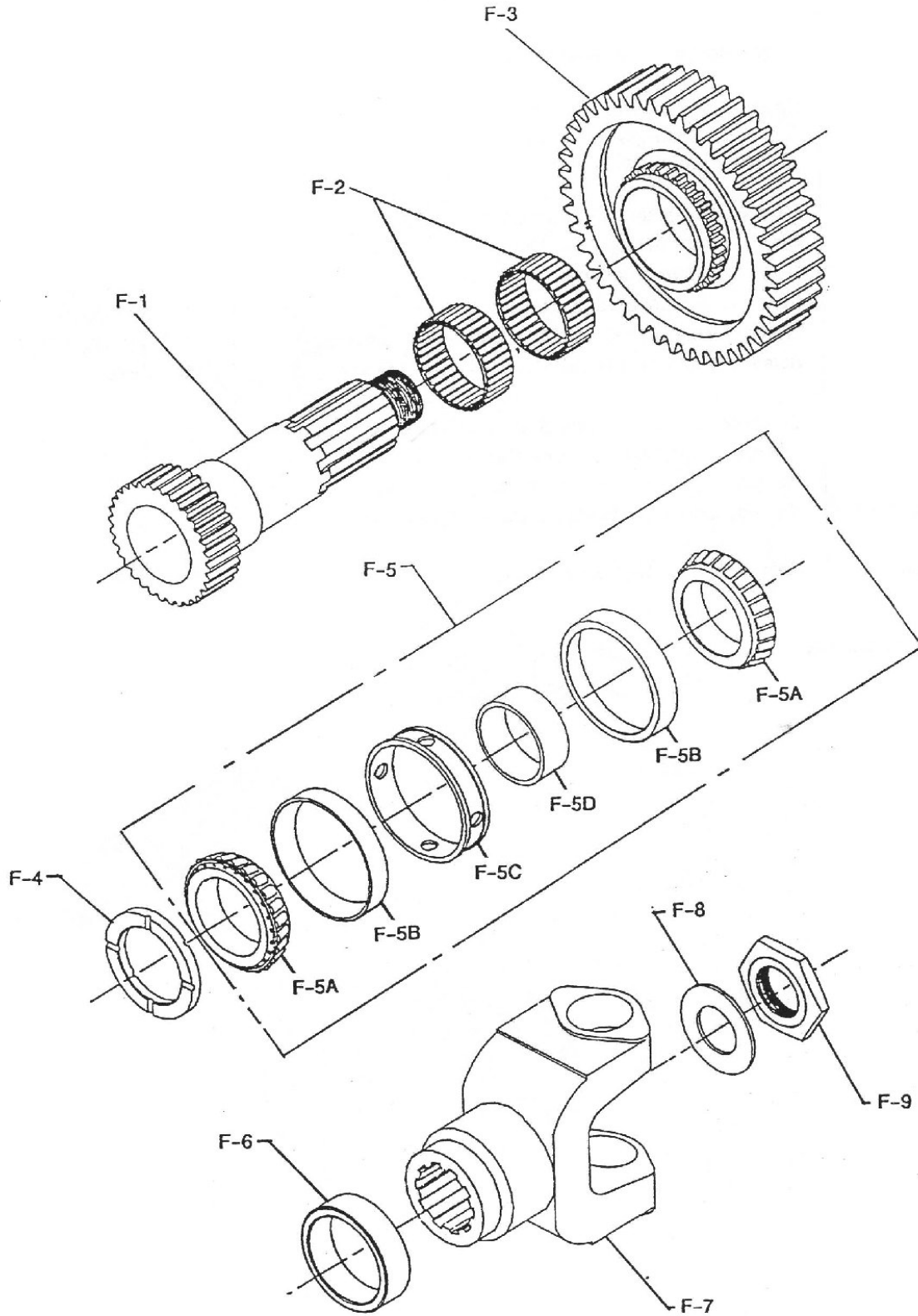
Ref No.	Part No.	Description	Quantity
Countershaft Group Main Section			
C-1	201-30-2	Countershaft - Main (Before S/N J930506005)	2
	201-30-14	Countershaft - Main (After S/N J930506005)	2
C-2	201-210-4-2	Key - Countershaft Gear - Middle	2
C-3	201-210-4-3	Key - Countershaft Gear - Front	2
C-4	201-210-4-1	Key - Countershaft Gear - Rear	2
C-5	201-196-31	Gear - Countershaft (1st) (24T)	2
C-6	201-196-33	Gear - Countershaft (2nd & 6th) (37T)	2
	201-312-2	S/S by 313762X Kit	1
C-7	201-312-3	Gear - Countershaft PTO Drive	2
	201-196-6 NLA	S/S by 313762X Kit	1
C-8	201-196-44	Gear - Countershaft (3rd & 7th) (39T)	2
C-10	201-196-2	Gear - Countershaft (4th & 8th) (46T) (for PS)	2
	201-196-14 NLA	S/S by 201-8-43-1X Kit	1
or	201-196-35	Gear - Countershaft (4th & 8th) (52T) (for PSO)	2
C-11	201-47-2	Ring - Countershaft Thrust (Flat)	2
C-12	201-47-5	Ring - Countershaft H.R. Gear Thrust	2
	201-196-14 NLA	S/S to 201-8-43-1X Kit	1
C-13	201-196-35	Gear - Countershaft H.E. (5th & 9th) (65T) (for PS)	2
or	201-196-2	Gear - Countershaft H.E. (5th & 9th) (46T) (for PSO)	2
C-14	551011	Bearing - Cone Front Countershaft (Before S/N J930506005)	2
Or	551013	Bearing - Cone Front Countershaft (After S/N J930506005)	2
C-15	551010	Bearing - Cup Front Countershaft (Before S/N J930506005)	2
Or	550375	Bearing - Cup Front Countershaft (After S/N J930506005)	2
C-16	201-47-3	Ring - Countershaft (1st) Thrust	2
C-17	550182	Bearing - Cone Rear Countershaft	2
C-18	550375	Bearing - Cup Rear Countershaft	2
C-19	201-228-1-1	Shim - Countershaft Rear Bearing (.005 thick)	A/R
or	201-228-1-2	Shim - Countershaft Rear Bearing (.010 thick)	A/R
or	201-228-1-3	Shim - Countershaft Rear Bearing (.015 thick)	A/R
or	201-228-1-4	Shim - Countershaft Rear Bearing (.020 thick)	A/R
or	201-228-1-5	Shim - Countershaft Rear Bearing (.030 thick)	A/R
D-1	201-360-1	Plate - Retainer Countershaft (with opti-lube use 1)	2
D-2	545002-1	Screw - Plate Retaining Countershaft	6
D-3	201-196-12	Gear - Countershaft Reverse - Range (21T)	2
D-4	330952	Washer - Countershaft Reverse Drive Gear Retaining	2
D-5	545001-5	Screw - Reverse Drive Gear Retaining Washer	2



Range Section

Ref. No.	Part No.	Description	Quantity
Countershaft and Synchronizer Group Range Section			
E-1	550996	Bearing - Countershaft Front	2
E-2	330955	Washer - Countershaft Reverse Idler Thrust	2
E-3	201-5-2	Gear - Reverse Idler Countershaft	2
E-4	550997	Bearing - Needle Reverse Idler	2
E-5	201-30-9	Countershaft S/Assy. - Range (With slot for external oil pump)	2
or	201-30-18	Countershaft S/Assy. - Range (With Opti-lube)	2
E-6	550998	Bearing - Countershaft Rear	2
E-7	201-47-6	Ring - Thrust Mainshaft Drive Gear	1
E-8	201-8-39	Gear - Mainshaft Head End (30T)	1
E-9	201-494-1	Race - Synchronizer Outer	1
E-10	201-466-2	Gear - Clutch Drive (High Range)	1
E-11	330954	Washer - Mainshaft Clutch Gear Retaining (High Range)	1
E-12	545001-5	Screw - Clutch Gear Retaining Washer (High Range)	1
E-13	201-563-1-1X	Synchronizer - High & Low (Includes E-14, E-15, E-16)	1
E-14	N.S.S.	S/Assy. - Synchronizer - Low Range	1
E-15	N.S.S.	S/Assy. - Synchronizer - High Range	1
E-16	201-72-9-1X	Kit - Synchronizer Springs (includes (3) Springs)	1
E-17	201-465-4	Collar - Clutch - High & Low Range	1

N.S.S Not Sold Separately



Range Section

9 SPEED TRANSMISSION

**PS95-9A & PS125-9A,
PSO140-9A & PSO150-9A**

Ref. No.	Part No.	Description	Quantity
Mainshaft Group - Output Range Section			
F-1	201-362-3	Output Shaft	1
F-2	313668X	Kit - Needle Bearing - Output Shaft	1
F-3	201-8-41	Gear - Output - Low Range (52T)	1
F-4	201-47-4	Washer - Thrust Output Shaft	1
F-5	313628X	S/Assy. - Bearing and Spacer Output Shaft	1
F-5A	N.S.S.	Bearing - Cone Output Shaft	2
F-5B	N.S.S.	Bearing - Cup Output Shaft	2
F-5C	N.S.S.	Spacer - Bearing Cup Output Shaft	1
F-5D	N.S.S.	Spacer - Bearing Cone Output Shaft	1
F-6	201-37-6	Spacer - Speedometer	1
or	201-452-1	Electronic Speedometer Signal Gear (16 grooves)	1
or	201-452-2	Speedometer Drive Gear (4T)	1
	97-453-1	Speedometer Driven Gear (12T)	1
or	201-452-3	Speedometer Drive Gear (8T)	1
	97-453-7	Speedometer Driven Gear (16T)	1
F-7	See Tab Bills	Flange or End Yoke	
F-8	330734	Washer - Output Shaft Nut 1	
F-9	545065	Nut-Output Shaft (1.75" - 16 UNEF - 3B)	1

N.S.S Not Sold Separately

Series	Yoke Style	End Yoke Part No.	S End of Hub to C/L Length	Maximum Momentary Joint Angle	Spline Type
1710	Full Round	6-4-611	5.620"	30 degrees	Straight Sided
1710	Half Round	6-4-6611-1	5.620"	30 degrees	Straight Sided
1760	Full Round	6.3-4-651	6.030"	30 degrees	Straight Sided
1760	Half Round	6.3-4-651-1	6.030"	30 degrees	Straight Sided
1810	Full Round	6.5-4-3451	5.880"	30 degrees	Straight Sided
1810	Half Round	6.5-4-3451-1	5.880"	30 degrees	Straight Sided
SPL170	Half Round	170-4-471-1			

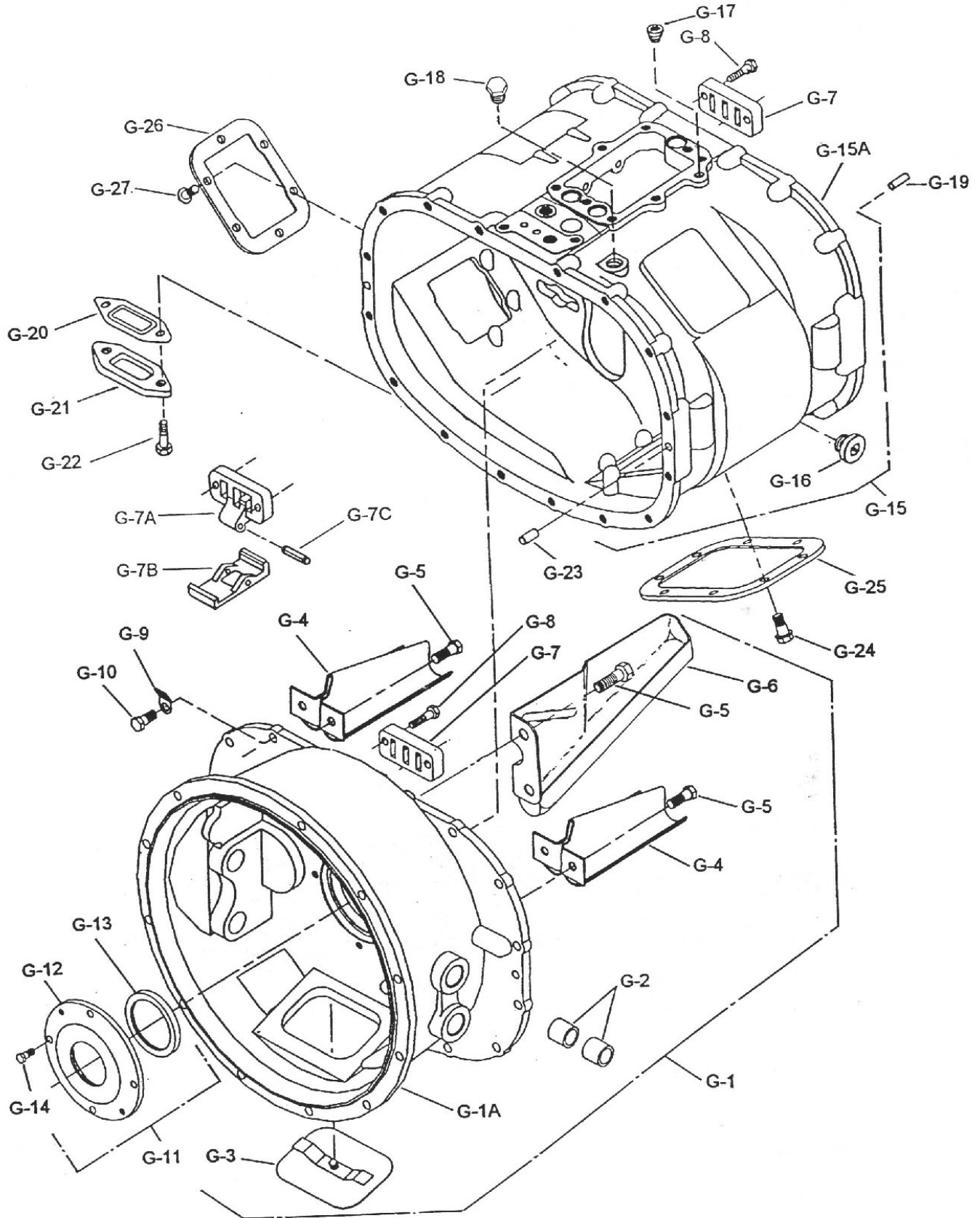
N.S.S. - Not Sold Separately

CLUTCH HOUSING, FRONT BEARING CAP, & MAIN CASE

MODELS:

9 SPEED TRANSMISSION

PS95-9A & PS125-9A,
PSO140-9A & PSO150-9A



Ref. No.	Part No.	Description	Quantity
Clutch Housing Group			
G-1	201-518-21-2X	Clutch Housing,Hand Hole Cover,Oil Troughs and Bushings (SAE #1 Iron) (Includes G-1A thru G-6)	1
or	201-518-14-5x	Clutch Housing,Hand Hole Cover,Oil Troughs and Bushings (SAE #2 Iron) (Includes G-1A thru G-6)	1
or	201-518-25-2x	Clutch Housing,Hand Hole Cover,Oil Troughs and Bushings (SAE #1 Iron) (Neutral Start Switch Provision) (Includes G-1A thru G-6)	1
or	201-518-20-2x	Clutch Housing,Hand Hole Cover,Oil Troughs and Bushings (SAE #1) (Aluminum With Neutral Switch Provision) (Includes G-1A thru G-6)	1
N.S.	201-463-26	"O"Ring-Countershaft Front (Aluminum Clutch Housings Only)	2
G-1A	N.S.S.	Clutch Housing	1
G-2	97-24-8	Bushing - Clutch Release Shaft	4
G-3	97-96-18-1X	S/Assy. - Hand Hole Cover	1
G-4	201-468-1	Oil Trough - Countershaft	2
G-5	545002-13	Screw - Oil Troughs (2 each)	6
G-6	201-468-2	Oil Trough - Drive Gear (N.L.A.)(Less opti-lube Only)(301504-,505,544)	1
G-7	40-477-1	Support - Shift Rails (Front & Rear)	2
G-7A	201-477-3	Support - Shift Rails (Front)(Neutral Start Switch Provision)	1
G-7B	201-200-6	Plate-Lift(Neutral Start Switch Provision)	1
G-7C	201-438-15-3	Pin-Roll(2.125")(Neutral Start Switch Provision)	1
G-8	545002-7	Screw - Support Bar (3.75" - 16X1.50") (2 each)	4
G-9	330969	Lift Hook	2
G-10	545001-1	Screw - Clutch Housing (.500" - 16 X 1.375")	16
Front Bearing Cap Group			
G-11	201-19-2-1X	S/Assy. - Drive Gear Bearing Cap and Oil Seal (Includes G-12 thru G-13)	1
G-12	N.S.S.	Bearing Cap	1
G-13	97-463-36-1X	Oil Seal - Drive Cap Bearing Cap (w/installation sleeve)	1
G-14	545002-1	Screw - Drive Gear Bearing Cap (.375" - 16 X 1.875")	4
Main Case Group			
G-15	201-15-13-1X	S/Assy. -Main Case (Includes G-15A thru G-18)	1
	201-15-9-1X	Ford Only(Includes G-15A thru G-18)	1
	201-15-10-1X	Aluminum	1
N.S	201-463-26	"O"Ring-Countershaft Rear (Aluminum Clutch Housings Only)	4

CLUTCH HOUSING, FRONT BEARING CAP & MAIN CASE

MODELS:

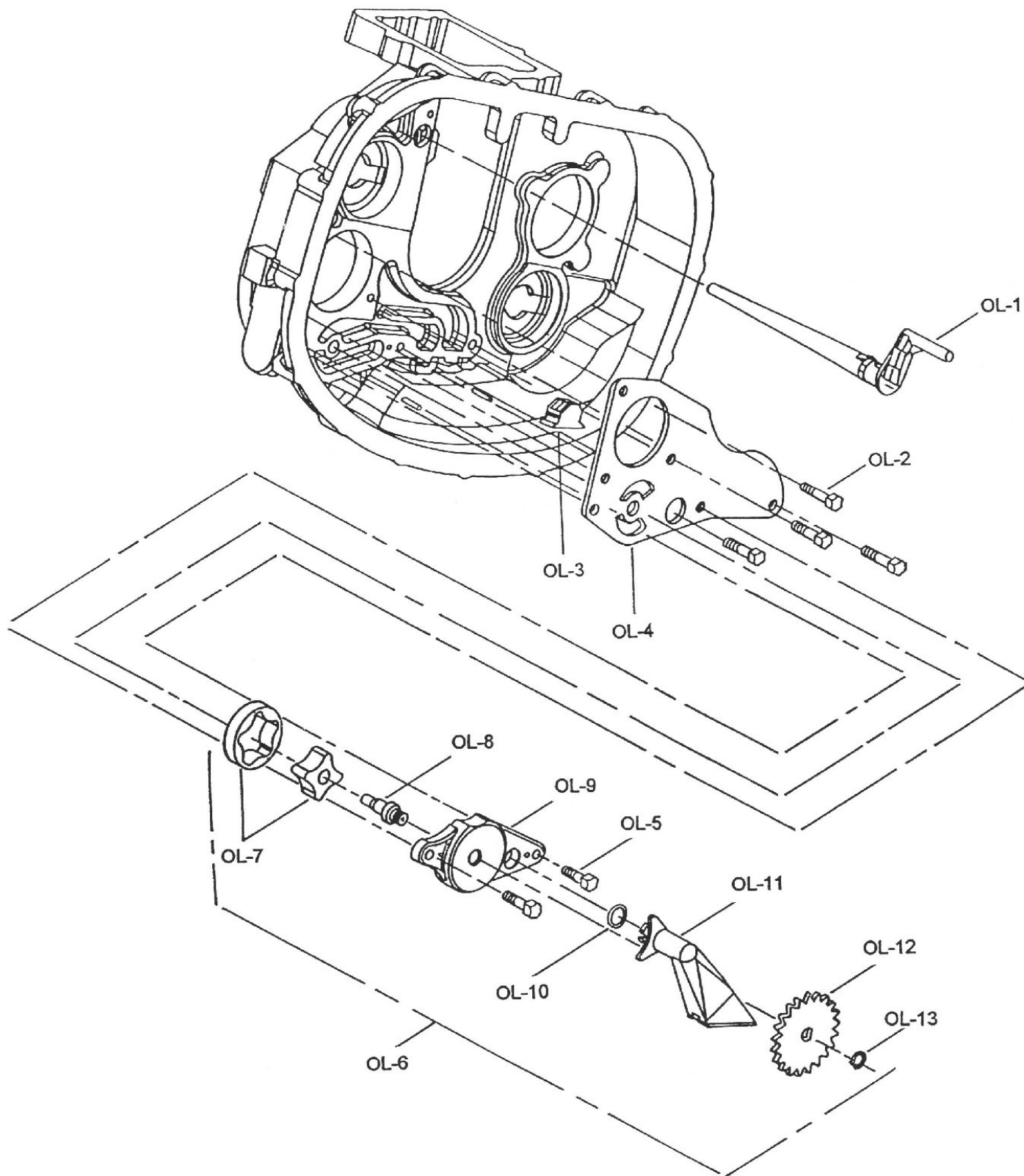
9 SPEED TRANSMISSION

PS95-9A & PS125-9A,
PSO140-9A & PSO150-9A

Ref. No.	Part No.	Description	Quantity
G-15A	N.S.S.	Case	1
G-16	545123	Plug - Filler & Drain with O-Ring	1
G-17	N.S.S.	Washer - Filler & Drain Plug	1
G-18	201-39-1	Plug - Case Oil Return Hole	1
N.S.	330934	Magnet- Ceramic(Located @Large PTO Opening)	2
G-19	500597-14	Pin -Alignment(Optilube Mounting Plate)	4
G-20	201-118-4	Gasket_Oil Outlet Cover(Location Is Case Bottom)	1
G-21	201-96-5	Cover-Oil Outlet(Location Is Case Bottom)	1
G-22	545002-2	Screw-Oil Outlet Cover(Location Is Case Bottom)	2
G-23	201-438-3	Pin-Dowel Case	4
G-24	545012	Screw - PTO Aperture Cover (8Hole)	8
G-25	73-267-1	Cover - PTO (8 Hole)	1
G-26	50-267-2	Cover - PTO (6 Hole)	1
G-27	330800	Screw - PTO Aperture Cover	6

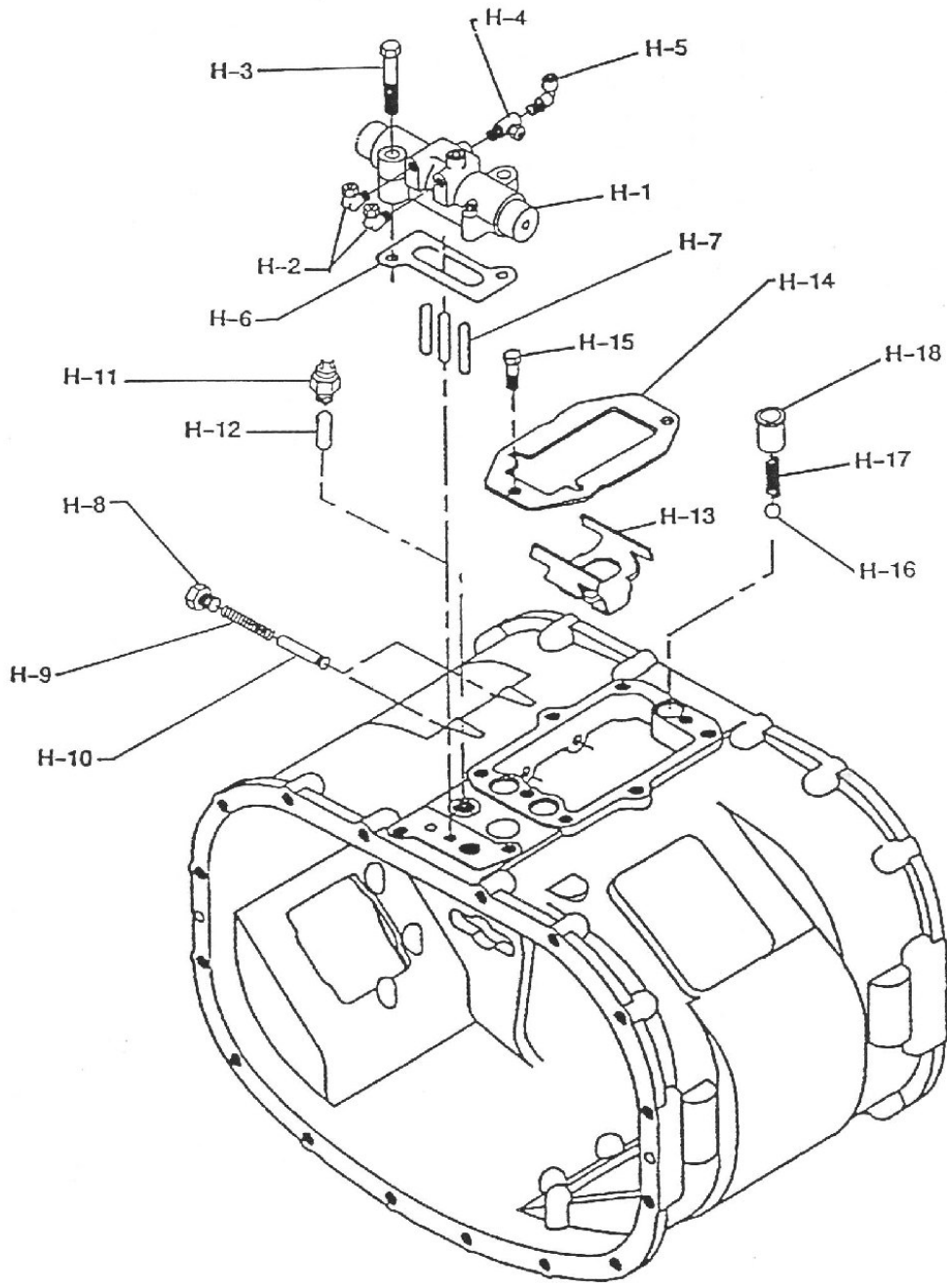
N.S.S Not Sold Separately

N.S. Not Shown



Ref. No.	Part No.	Description	Quantity
	201-501-11-2X	Kit - Optilube Pump (Includes OL-1 thru OL-13)	1
OL-1	201-420-13X	S/Assy - Discharge Tube	1
OL-2	545002-1	Screw - Mounting Plate	4
OL-3	201-501-13X	S/Assy.-Oil Bypass Valve	1
OL-4	201-360-2	Plate - Internal Pump Mounting	1
OL-5	545002-2	Screw - Pump Housing	2
OL-6	201-501-11-1X	Kit - Optilube Pump Housing and Gears (Includes OL-7 thru OL-13)	1
OL-7	N.S.S	Gerotor Element - Internal Oil Pump	1
OL-8	N.S.S	Shaft - Internal Oil Pump	1
OL-9	N.S.S	Housing - Pump	1
OL-10	N.S.S	"O" Ring - Tube	1
OL-11	N.S.S	S/Assy.- Inlet Tube	1
OL-12	N.S.S	Gear - Lube Pump Drive	1
OL-13	N.S.S	Ring - Gear Pump Snap	1

N.S.S Not Sold Separately



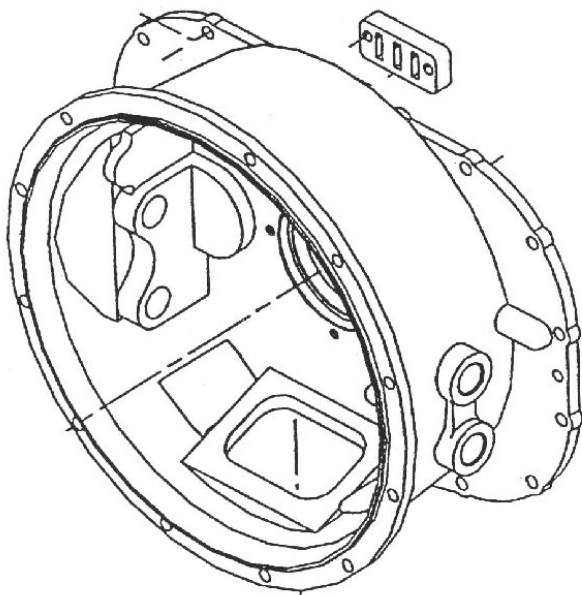
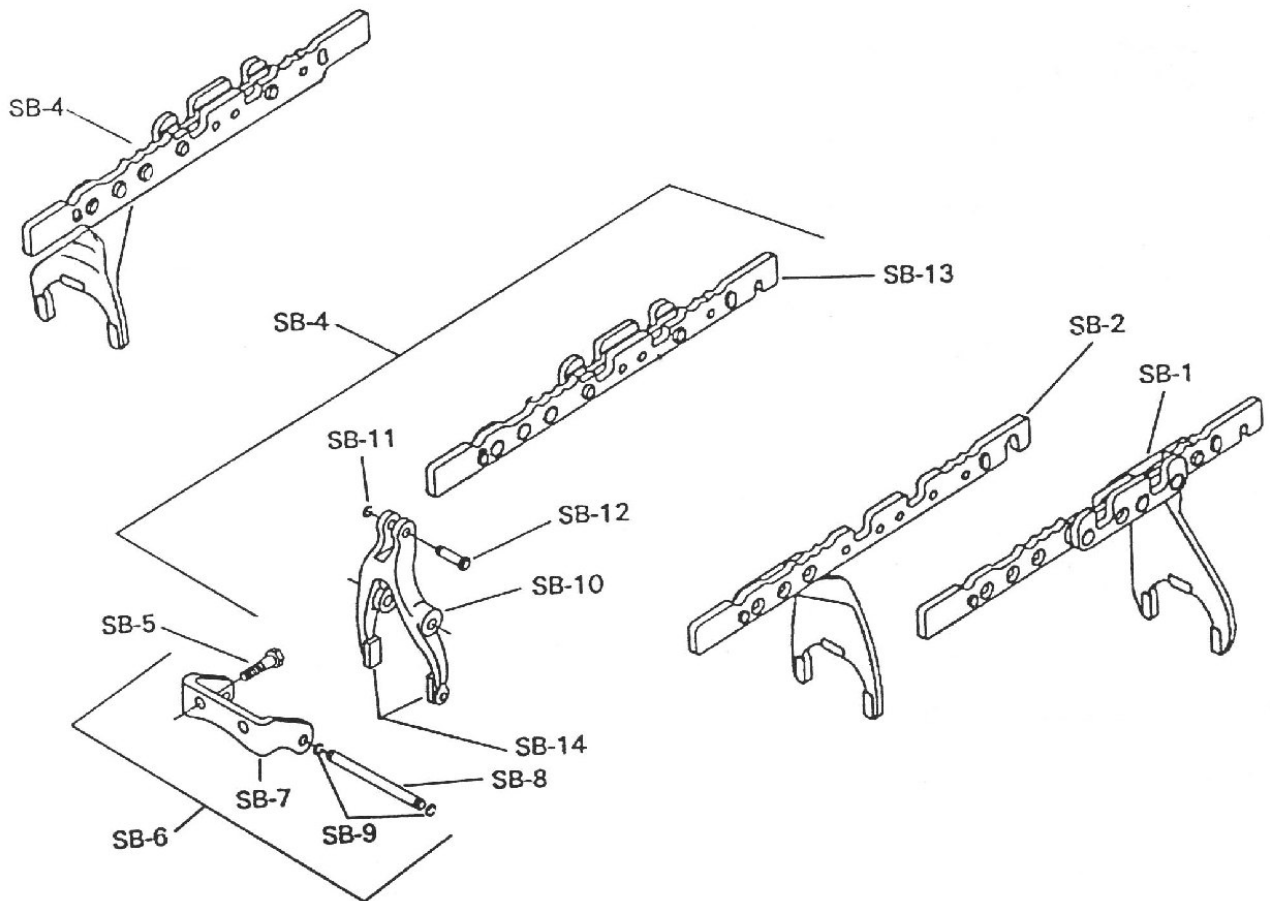
Ref. No.	Part No.	Description	Quantity
Williams Control			
H-1	313630X	S/Assy. - Williams Control	1
H-2	545025-2	Elbow - Williams Control 90 Degrees	2
H-3	545028-6	Screw - Williams Control (.438" - 14x2.2250")	2
H-4	545109	Tee - Adapter Williams Control	1
H-5	201-449-1	Elbow - Williams Control	1
H-6	201-118-1	Gasket - Williams Control	1
H-7	201-438-5	Pin - Williams Air Control Valve	3
Interlock Parts Group			
H-8	545128	Plug - 1st and Reverse Spring Plunger	2
H-9	201-72-6	Spring - 1St and Reverse	2
H-10	40-438-1	Pin - Plunger 1St and Reverse	2
H-11	313538	Switch - Back up Light (Nav)	1
or	313552	Switch - Back up Light (Paccar)	1
or	M-556-3X	Switch - Back up Light (Mack)	1
or	M-556-1X	Switch - Back up Light (Ford)	1
H-12	201-438-2	Pin - Actuating Back up Light Switch	1
H-13	201-200-1	Interlock - Shifter Rail	1
H-14	201-200-2	Plate - Interlock Retainer	1
H-15	330801-1	Screw - Interlock Plate (.438" - 14X.875")	2
H-16	201-80-1	Ball - Poppet	3
H-17	201-72-2	Spring - Poppet Shift Rail	3
	201-72-8-1x	On Left Front Position for 9th Gear in COE White Paint on Spring	1
	201-118-2	Gasket	
H-18	201-487-1	Insert - Poppet Spring & Ball	3
N.S.	201-420-9	Convolute Conduit	A/R
N.S.	330971	Clamp	A/R
N.S.	201-118-2	Gasket-Shift Lever	1
N.S.	Not Shown		

SHIFT BAR & FORK ASSEMBLY

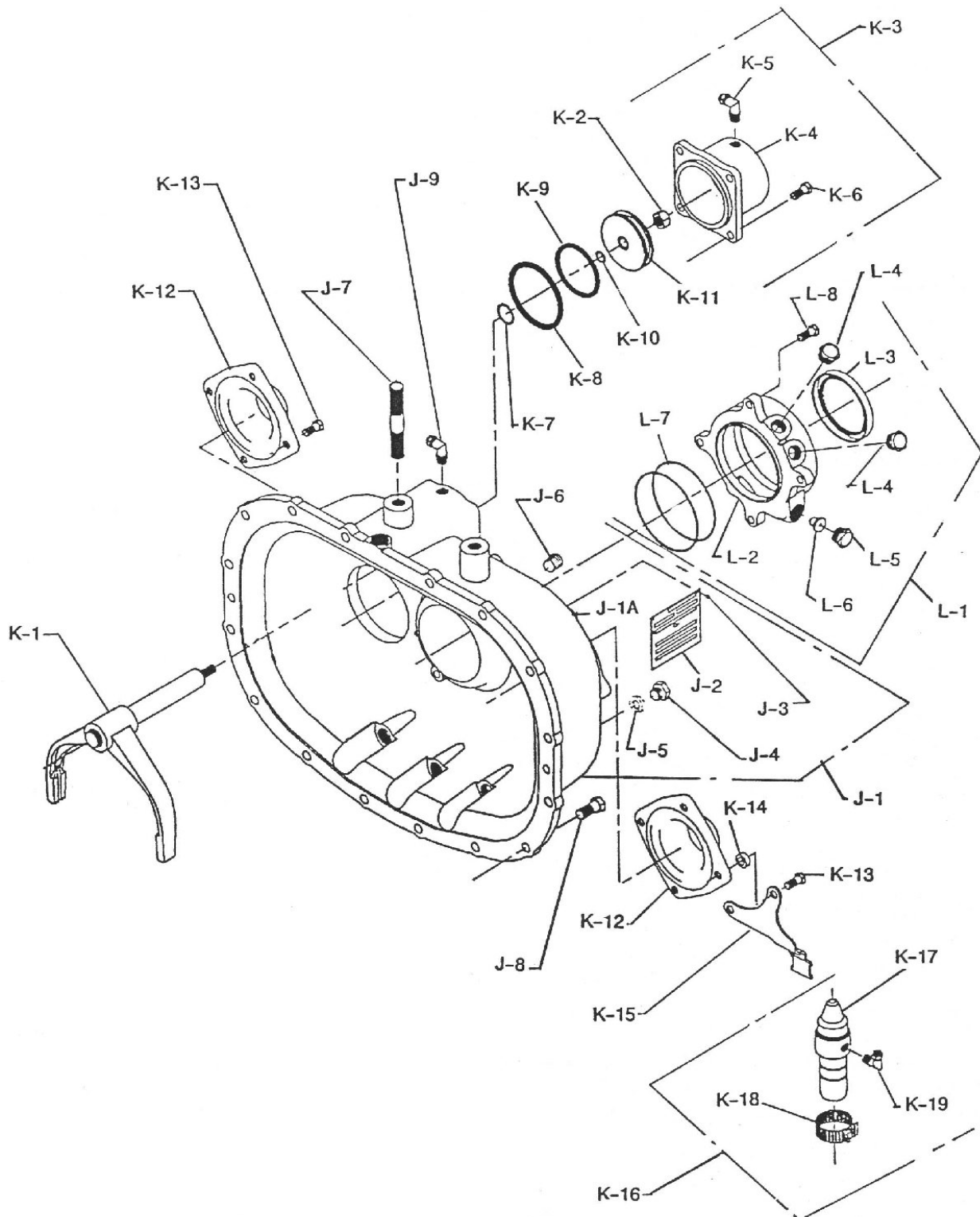
MODELS:

9 SPEED TRANSMISSION

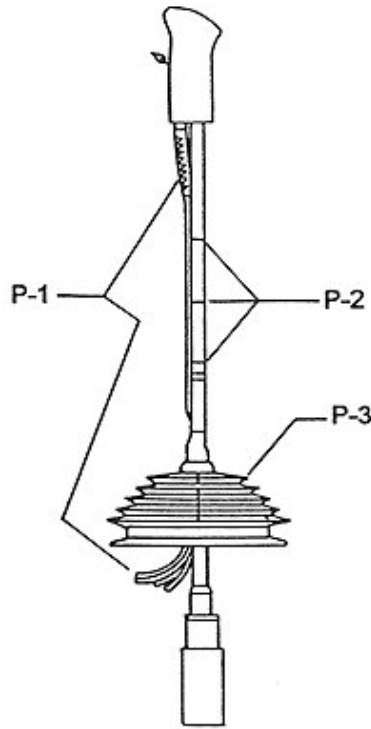
PS95-9A & PS125-9A,
PSO140-9A & PSO150-9A



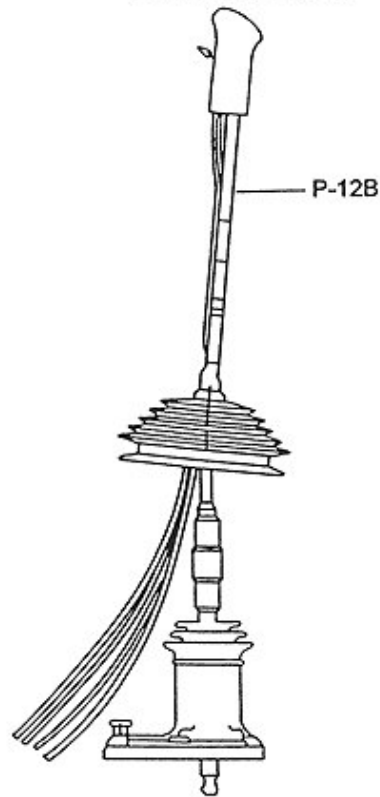
Ref. No.	Part No.	Description	Quantity
Shift Bar and Fork Assemblies			
SB-1	313696X	Fork and Bar Assy. - 1st and Reverse	1
or	313795X	Fork and Bar Assy. - 1st and Reverse (Neutral Start Switch Provision)	1
SB2	313694X	Fork and Bar Assy. - 2nd and 3rd	1
or	313769X	Fork and Bar Assy. - 2nd and 3rd (Neutral Start Switch Provision)	1
SB-4	313695X	Fork and Bar Assy. - 4th and 5th (PS Only)(Direct Transmissions)	1
or	313819X	Fork and Bar Assy. - 4th and 5th (PS Only) (Direct Transmissions) (Neutral Start Switch Provision)	1
SB-4	313642-1X	Bar Assy - 4th and 5th (PSO Only)(Overdrive Transmissions)	1
or	313818-1X	Bar Assy - 4th and 5th (PSO Only)(Overdrive Transmissions) (Neutral Start Switch Provision)	1
and	201-66-18-3X	Fork and Bar Assy.- 4th and 5th (PSO Only)(Overdrive Transmissions) (Contains SB - 8 thru SB13)	1
SB-5	545002	Screw - Fork Mountin Bracket Overdrive (.375" X 1.00")	2
SB-6	201-411-3-1X	Kit - Shift Fork Mounting Bracket, Pin and Snap Rings	1
SB-7	N.S.S.	Mounting Bracket - Overdrive Shift Fork	1
SB-8	N.S.S.	Pin - Mounting	1
SB-9	N.S.S.	Snap Ring - Mounting Bracket Pin	2
REPAIR KITS FOR REF . NO. SB-4			
	313642-1X	Kit - Overdrive Shift Bar, Pins and Snap Rings	1
SB-8	N.S.S.	Pin - Mounting	1
SB-9	N.S.S.	Snap Ring - Mounting Bracket Pin	2
SB-11	N.S.S.	Snap Ring - Clevis Pin	1
SB-12	N.S.S.	Clevis Pin - Shift Fork	1
SB-13	N.S.S.	Shift Bar - 4th and 5th Overdrive	1
	313818X	Kit - Overdrive Shift Fork, Pins and Snap Rings with Neutral Start Switch Provision	1
SB-8	N.S.S.	Pin - Mounting	1
SB-9	N.S.S.	Snap Ring - Mounting Bracket Pin	2
SB-11	N.S.S.	Snap Ring - Clevis Pin	1
SB-12	N.S.S.	Clevis Pin - Shift Fork	1
SB-13	N.S.S.	Shift Bar - 4th and 5th Overdrive with Neutral Start Provision	1
	201-66-18-3X	Kit - Overdrive Shift Fork, Pins and Snap Rings	1
SB-8	N.S.S.	Pin - Mounting	1
SB-9	N.S.S.	Snap Ring - Mounting Bracket Pin	2
SB-10	N.S.S.	Shift Fork and Shoe Sub - assy. - 4th and 5th Overdrive	1
SB-11	N.S.S.	Snap Ring - Clevis Pin	1
SB-12	N.S.S.	Clevis Pin - Shift Fork	1
SB-14	201-486-1	Shoe - Overdrive Shift Fork	2
	201438-10	Pins	
	201-438-6-1X	Kit - Mounting Pin and Snap Rings	1
SB-11	N.S.S.	Snap Ring - Clevis Pin	1
SB-12	N.S.S.	Clevis Pin - Shift Fork	1
	201-438-7-1X	Kit - Mounting Bracket, Pins and Snap Rings	1
SB-8	N.S.S.	Pin - Mounting	1
SB-9	N.S.S.	Snap Ring - Mounting Bracket Pin	2



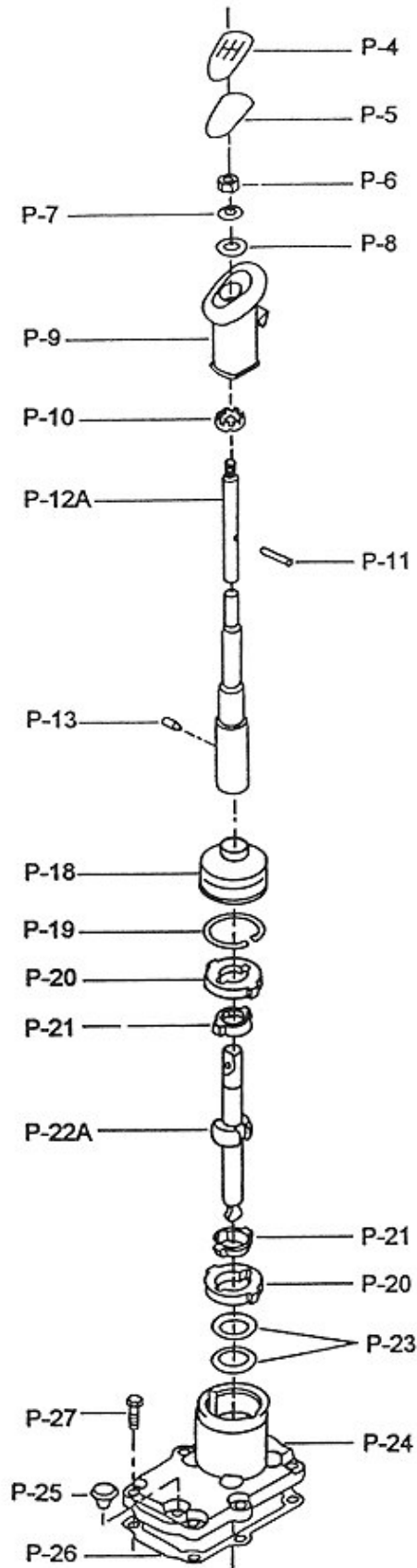
Ref. No.	Part No.	Description	Quantity
Range Case Group			
J-1	201-15-3-1X	S/Assy. - Case (Range) (Includes J-1A thru J-6)	1
J-1A	N.S.S.	Case -Range	1
J-2	NP-96	Name Plate	1
J-3	252-SP	Pin- Name Plate	4
N.S	NP-196	Patent Plate	1
J-4	545123	Plug - Filler & Drain Magnetic	2
J-5	N.S.S.	Washer - Filler & Drain Plug	2
J-6	201-39-1	Plug - Temperature Indicator Hole	1
J-7	330360-7	Stud - Rear Mounting (2.375")	2
or	330360-15	Stud - Rear Mounting (3.562")	
J-8	545001-1	Screw - Range Case (.500"-13X1.375")	16
J-9	545025-1	Elbow - 90 degree	1
Range Piston Housing and Shift Fork Group			
K-1	201-66-23-2X	S/Assy. - Fork and Rod and Clips - Range	1
N.S.	201-486-3	Clips-Fork	2
K-2	545045	Nut - Piston Rod - Range	1
K-3	201-501-2-1X	S/Assy - Piston Housing - Range (Includes K-4 thru K-6)	1
K-4	N.S.S.	Housing - Piston - Range	1
K-5	545025-1	Elbow - Piston Housing 90 degree	1
K-6	545002-1	Screw - Piston Housing (.375" - 16X.875")	4
K-9	201-463-1	"O" Ring - Piston Shift - Range	1
K-8	201-463-2	"O" Ring - Piston Housing - Range	1
K-7	201-463-3	"O" Ring - Piston Rod - Range	1
K-10	183-463-6	"O" Ring - Piston to Rod - Range	1
K-11	201-136-7	Piston - Shift - Range	1
Countershaft Bearing Cap Group			
K-12	201-22-3	Cap - Countershaft Bearing	1
K-13	545002-1	Screw - Bearing Cap (.375" - 16X.875")	6
and	545002-7	Screw - Bearing Cap (.375" - 16X1.500")	2
N.S.	330564-3	Lift Hook	2
K-14	500381-4	Spacer - Filter Regulator	4
K-15	201-411-1	Bracket - Filter Regulator	1
K-16	313644X	Kit - Power Control and Mounting Parts (Incl. K-17 thru K-19)	1
K-17	313042	S/Assy. - Filter Regulator	1
K-18	330831	Clamp - Filter Regulator Mounting	1
K-19	545025-1	Elbow - Filter Regulator 90 degree	1
Rear Bearing Cap Group			
L-1	201-19-8-1X	S/Assy. - Elect/Mech Bearing Cap Rear (Incl. L-2 thru L-5)	1
L-2	N.S.S.	Bearing Cap	1
L-3	201-463-8	Seal - Bearing Cap Rear	1
L-4	545021	Plug - Electronic Speedometer	2
L-5	55-334-1	Plug - Speedometer Outlet	1
L-7	201-228-2-1	Shim - Output Shaft (.005 thick)	A/R
or	201-228-2-2	Shim - Output Shaft (.010 thick)	A/R
or	201-228-2-3	Shim - Output Shaft (.015 thick)	A/R
or	201-228-2-4	Shim - Output Shaft (.020 thick)	A/R
or	201-228-2-5	Shim - Output Shaft (.030 thick)	A/R
L-8	545002-6	Screw - Bearing Cap Rear (.375" - 16 X .250")	4



SINGLE CRIMP
ISOLATOR STYLE



DOUBLE CRIMP ISOLATOR STYLE

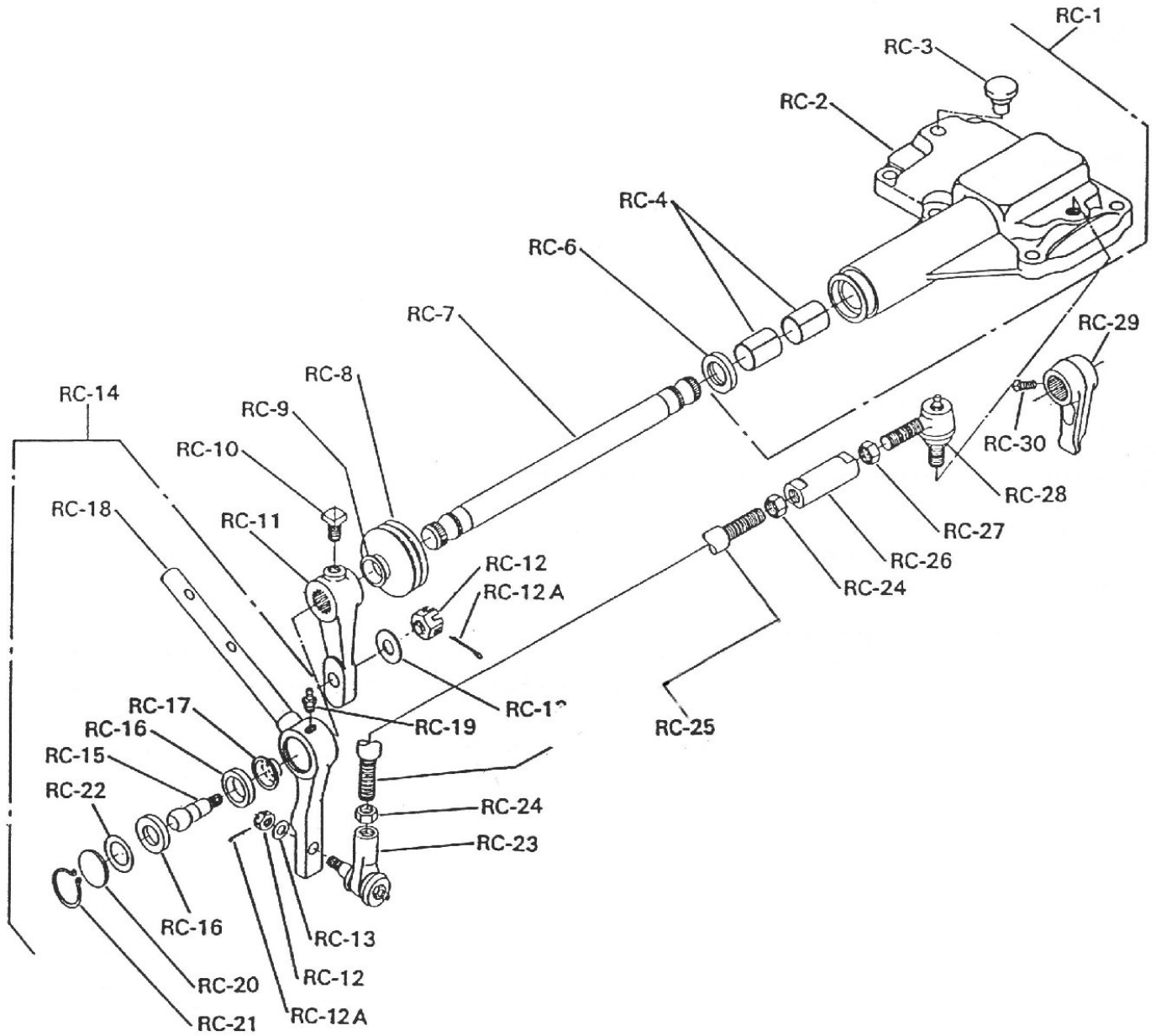


Ref. No.	Part No.	Description	Quantity
N.S.	See Chart	Shift Lever and Tower Assembly (Includes P-1 thru P-24)	1
N.S.	See Chart	Upper Lever and Knob Assy. (Includes P-1 thru P-15)	1
P-1	201-420-5-1X	Harness - Air tUbing (48" long)	1
or	201-420-5-2X	Harness - Air tubing (92" long for Remote Control use)	1
P-2	97-463-7	"O" Ring - Retaining Air Harness	3
P-3	201-483-3	Boot - Floorboard (Oval)	1
or	201-483-4	Boot - Floorboard (Oval)	1
or	201-483-5	Boot - Floorboard (Rectangular)	1
N.S.	313885X	Shift Knob Assy. (Includes P-4 thru P-10)	1
P-4	205-20-13	Insert - Shift Pattern (9 speed Spicer w/shift pattern)	1
or	205-20-15	Insert - Shift Pattern (Spicer)	1
P-6	500370-4	Nut - Shift Knob Retaining	1
P-7	500357-13	Washer - Shift Knob Retaining	1
P-8	204-W	Washer - Shift Knob Stop	1
P-9	39Q-38-3 N.S.S.	Knob - Shift Air Valve (Serviced as 313885X)	1
P-10	201-205-1	Index Washer	1
P-11	201-438-8	Roll Pin - Shift Knob	1
N.S.	201-420-7	Tube Support (3/16)	1
	See Special Note	Upper Shift Lever Sub-Assy	
P-12A	See Special Note	S/Assy. - Upper Shift Lever (Single Crimp Style)	1
P-12B	See Special Note	S/Assy. - Upper Shift Lever (Double Crimp Style)(Includes Lower End)	1
P-13	545063	Set Screw (Single Crimp Style Only)	1
N.S.	See Special Note	Lower Lever and Tower Assy. (Includes P-13 thru P-24)	1
P-16	101-483-2	Boot - Shift Tower & Lever	1
N.S.	33Q-15-1	Tie - Cable (Upper)	1
N.S.	33Q-15-2	Tie - Cable (Lower)	1
P-19	97-381-11	Snap Ring	1
P-20	34Q-8	Ring - Outer	2
P-21	34Q-7	Ring - Inner	2
P-20	See Special Note	Shift Lever - Lower End (Single Crimp Style Only)	1
P-23	201-72-3	Spring - Disc	2
N.S.	201-17-2X	Sub-Assy. - Tower Housing (Includes P-24 thru P-25)	1
N.S.	201-17-3X	Sub-Assy. - Tower Housing (Includes P-24 thru P-25)	1
P-24	N.S.S.	Tower - (6.312" Fulcrum) (Serviced as 201-17-2X)	1
or	N.S.S.	Tower - (5.312" Fulcrum) (Serviced as 201-17-3X)	1
P-25	312268	Breather	1
		Following Parts are not Included in above Assemblies.	
P-26	201-118-2	Gasket - Tower Housing	1
P-27	545028-2	Screw - Tower Housing	6

Special Note For Upper &/or Lower Levers Use 25Q - (XXXX)

Found on Upper & Lower levers or Call Spicer Support Line @ 800-401-9866 With Stamping Numbers.

N.S. Not Shown N.S.S Not Sold Separately A/R As Required

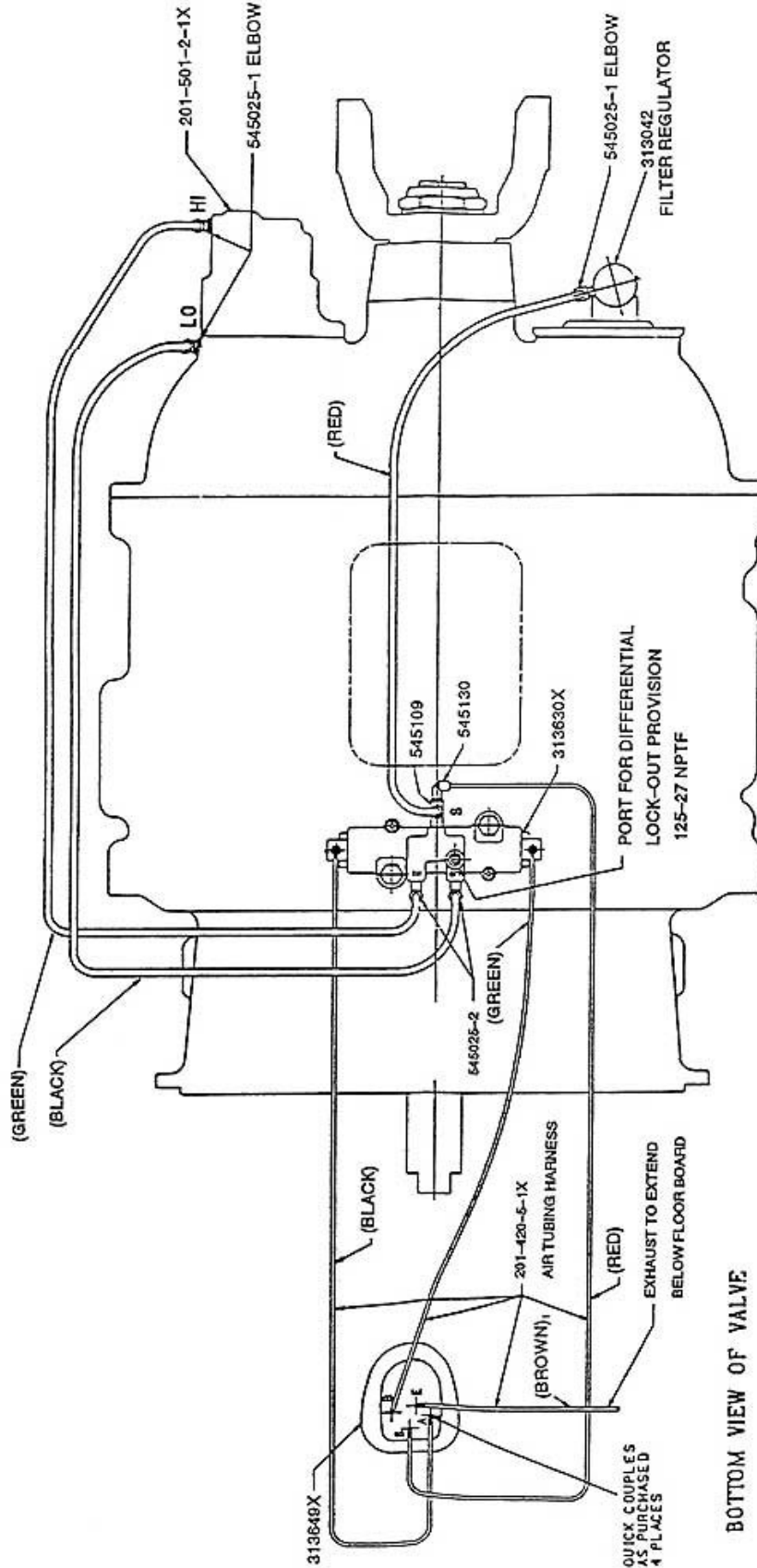


Ref. No.	Part Number	Description	Quantity
	201-18-6-3X	Remote Control Assembly	1
RC-1	201-18-6X	S.Assy. - Remote Control Housing, Bushings and Ball Joint (Includes RC-2 thru RC-6 and RC-28 (313715))	1
RC-2	N.S.S.	Remote Control Housing	1
RC-3	312268	Breather Assembly	1
RC-4	40-24-1	Bushing - Remote Control Housing	2
RC-6	28P-19	Seal - Remote Control Housing	1
RC-7	201-65-5	Rod - Inner Shift Control	1
RC-8	97-483-3	boot - Shift Rod Rubber	1
RC-9	33Q-15-1	Tie - Cable	2
RC-10	545136	Bolt - Outer Shift lever	1
RC-11	201-6-3	lever - Remote Outer Shift Control	1
RC-12	500371-3	Nut - Ball Stud	1
RC-12A			
	500024-5	Cotter Pin	1
RC-13	500362-11	Lock Washer	1
RC-14	201-6-11-1X	S/Assy. - Selector Lever and Arm (Includes RC-15 thru RC-22)	1
RC-15	545117	Ball Stud Selection Lever	1
RC-16	201-999-3	Bearing - Race Selector Lever	2
RC-17	201-483-2	Boot - Selector Lever	1
RC-18	N.S.S.	Lever - Selection	1
N.S.	313727X	Kit - Grease Parts (Includes RC-19 and RC-20)	1
RC-19	N.S.S.	Nipple - Selection Lever	1
RC-20	N.S.S.	Retainer - Selection Lever	1
RC-21	201-381-4	Snap Ring - Selection Lever	1
RC-22	201-72-10	Spring - Disc Selection Lever	3
RC-23	313673	Ball Joint - Female	1
RC-24	545114	Jam Nut - Turnbuckle	2
RC-25	201-65-6	Tie Rod	1
RC-26	73Q-2	Turn Buckle	1
RC-27	545113	Jam Nut - Turnbuckle (Left Hand)	1
RC-28	313715	Ball Joint - Male (.500-13 UNC thread on end into Housing)	1
RC-29	201-6-2	Finger - Inner Shift	1
RC-30	545137	Screw - Shift Finger	1
		Parts Listed Below are not Included in Assembly	
N.S.	545028-2	Screw - Control Housing (.438 - 14 X 1.500")	6
N.S.	201-118-2	Gasket - Tower Housing	1

N.S. Not Shown N.S.S. Not Sold Separately

Part Number	Description	Quantity
201-400-1X	Major Overhaul Kit	
313432-33X	Kit - Minor Overhaul	1
313669X	Kit - Range Piston Housing Repair	1
313429-23X	Kit - Shift Tower Repair Parts	1
201-210-4-1	Key - Countershaft Gear Rear	2
201-201-4-2	Key - Countershaft Gear Middle	2
201-210-4-3	Key - Countershaft Gear Front	2
201-438-6-1X	Kit - Overdrive Shift Fork Mounting Pin and Snap Ring	1
201-438-7-1X	Kit - Overdrive Shift Fork Bracket Pin and Snap Ring	1
201-47-4	Washer - Output Shaft Thrust (Range)	1
201-47-6	Ring - Range Mainshaft Drive Gear Thrust	1
330955	Washer - Countershaft Reverse Idler Thrust (Range)	2
500007-24	Key - Woodruff PTO Gear	2
545065	Nut - Mainshaft	1
545087	Pin - Thrust Washer Lock (Range Countershaft)	2
313432-33X	Minor Overhaul Kit (Includes in Major Overhaul Kit)	1
201-200-8	Lock Strap	1
2783	Bulletin - Mainshaft nut (Loctite Application)	1
2362	Maintenance Manual	1
312475-45X	Kit - Gasket	1
313667X	Kit - Shim	1
201-381-1	Ring - Snap Input Shaft	1
201-381-3	Ring - Snap Mainshaft Range Drive Gear	1
201-436-8	Seal - Output Shaft Rear Bearing Cap	1
545080-1	Anaerobic Sealant - Mainshaft Nut (0.5 cc vial)	1
545124	Washer - Filler and Drian Plug	3
97-463-36-1X	Oil - Seal Drive Gear Bearing Cap (w/installatin Tool)	1
201-463-26	"O" Ring - Counter Shaft (Front)	6
	Bearings - Range Section	
313628X	S/Assy. - Bearing and Spacer Output Shaft	1
313668X	Kit - Output Shaft Gear Needle Bearing	1
550996	Bearing - Countershaft Front	2
550998	Bearing - Countershaft Rear	2
551009	Bearing - Countershaft Rear	2
	Bearings - Main Section	
313645X	S/Assy. - Bearing and Belleville Snap Ring (Input Shaft)	1
550182	Bearing - Countershaft Rear Cone	2
550375	Bearing - Countershaft Rear Cup	2
550375	Bearing - Coutnershaft Front Cup(After S/N J930506005)	2
551010	Bearing - Coutnershaft Front Cup(Before S/N J930506005)	
551011	Bearing - Coutnershaft Front Cone(Before S/N J930506005)	
551013	Bearing - Coutnershaft Front Cone(After S/N J930506005)	
550997	Bearing - Reverse Idler Needle	2

Part Number	Description	Quantity
313669X	Kit - Range Piston Housing Repair (Include in Major Overhaul Kit)	1
183-463-6	"O" - Ring - Splitter or Range Piston	1
201-463-1	"O" - Ring - Range Shift Piston	1
201-463-2	"O" - Ring - Range Piston Housing	1
201-463-3	"O" - Ring - Range Piston Rod	1
2726	Bulletin - "O" Ring Lubrication Instruction	1
330895	Lubricant - "O" Ring	1
313429-23X	Kit - Shift Tower Small Parts Repair (Included in Major Overhaul Kit)	1
201-438-2	Pin - Actuating Back - up Light	1
201-438-5	Pin - Air Control Valve	3
201-487-1	Insert - Poppett Spring and Ball	3
201-72-2	Spring - Shift Rail Poppet	3
201-80-1	Ball - Poppet	3
40-438-1	Pin - 1st and Reverse Select Plunger	3
62-72-8	Spring - 1st and Reverse Shift Plunger	3
312477-46X	Kit-Shift Housing Bushing Kit	1
201-72-3	Spring-Disc	2
2860	Bulletin	1
34Q-7	Ring-Inner (Lower)	1
34Q-8	Ring-Outer	2
34Q-9	Ring-Inner (Upper)	2
312475-45X	Gasket Kit (Included in Major and Minor Overhaul Kit)	1
201-118-1	Gasket - Williams Air Control Valve	1
201-118-2	Gasket - Tower Housing	1
2724	Bulletin - Anaerobic Sealant Application	1
545056-9	Anaerobic Sealant - 24cc Tube	1
313667-X	Shim Kit (Included in Major and Minor Overhaul Kit)	1
2825	Bulletin - Countershaft Shim Instructions	1
201-228-1-1	Shim - Countershaft Rear Bearing (.005" thick)	4
201-228-1-2	Shim - Countershaft Rear Bearing (.010" thick)	4
201-228-1-3	Shim - Countershaft Rear Bearing (.015" thick)	4
201-228-1-4	Shim - Countershaft Rear Bearing (.020" thick)	4
201-228-1-5	Shim - Countershaft Rear Bearing (.030" thick)	4
201-228-1-8	Shim - Countershaft Rear Bearing (.0465/.0435)	
201-228-1-9	Shim - Countershaft Rear Bearing (.0515/.0485)	
201-228-2-1	Shim - Output Shaft (.005" thick)	1
201-228-2-2	Shim - Output Shaft (.010" thick)	1
201-228-2-3	Shim - Output Shaft (.015" thick)	1
201-228-2-4	Shim - Output Shaft (.020" thick)	1
201-228-2-5	Shim - Output Shaft (.030" thick)	1
201-8-43-1X	Kit - M/S & C/S Gear Replacement	1
201-196-35	Gear - C/S H.E.	1
201-8-43	Gear - M/S H.E.	1
2864	Bulletin - Head End Gear Replacement	1



BILL OF MATERIALS

MODELS:

PS9

9 SPEED TRANSMISSION

**PS95-9A & PS125-9A,
PSO140-9A & PSO150-9A**

BM	Model	Cust	Note	Clutch Type	SAE	Clutch Housing		Input Shaft	Drive Gear Brg Cap	Front Case	Rear Case	MSRear Brg Cap	Speedo Drive	End Yoke
						Assembly #	Matl							
301431-1	PS125-9A	Navistar	Replaced by 301554-2	Pull	1	201-518-10-5X	Alum	201-35-2	201-19-2-1X	201-15-13-1X	201-15-3-1X	201-19-5-2X	201-37-6	
301431-2	PS125-9A	Navistar	Replaced by 301554-2	Pull	1	201-518-10-5X	Alum	201-35-2	201-19-2-1X	201-15-13-1X	201-15-3-1X	201-19-5-2X	201-37-6	
301431-6	PS125-9A	Navistar	Replaced by 301554-6	Pull	2	201-518-14-5X	Alum	201-35-2	201-19-2-1X	201-15-13-1X	201-15-3-1X	201-19-5-2X	201-37-7	
301431-7	PS125-9A	Navistar	Replaced by 301554-7	Pull	1	201-518-10-5X	Alum	201-35-2	201-19-2-1X	201-15-13-1X	201-15-3-1X	201-19-8-1X	201-37-7	
301432-1	PSO140-9A	Navistar	Replaced by 301557-2	Pull	1	201-518-10-5X	Alum	201-35-2	201-19-2-1X	201-15-13-1X	201-15-3-1X	201-19-5-2X		
301432-2	PSO140-9A	Navistar	Replaced by 301557-2	Pull	1	201-518-10-5X	Alum	201-35-2	201-19-2-1X	201-15-13-1X	201-15-3-1X	201-19-5-2X		
301432-6	PSO140-9A	Navistar	Replaced by 301557-7	Pull	1	201-518-21-2X	Alum	201-35-2	201-19-2-1X	201-15-13-1X	201-15-3-1X	201-19-5-2X	201-37-7	6.5-4-3451
301495-1	PS140-9A	Navistar	Replaced by 301555-5	Pull	1	201-518-10-5X	Alum	201-35-2	201-19-2-1X	201-15-13-1X	201-15-3-1X	201-19-5-2X		
301495-2	PS140-9A	Navistar	Replaced by 301555-5	Pull	1	201-518-10-5X	Alum	201-35-2	201-19-2-1X	201-15-13-1X	201-15-3-1X	201-19-5-2X		
301495-3	PS140-9A	Navistar	Replaced by 301555-5	Pull	1	201-518-10-5X	Alum	201-35-2	201-19-2-1X	201-15-13-1X	201-15-3-1X	201-19-5-2X		
301495-4	PS140-9A	Navistar	Replaced by 301555-5	Pull	1	201-518-10-5X	Alum	201-35-2	201-19-2-1X	201-15-13-1X	201-15-3-1X	201-19-5-2X		
301495-5	PS140-9A	Navistar	Replaced by 301555-5	Pull	1	201-518-10-5X	Alum	201-35-2	201-19-2-1X	201-15-13-1X	201-15-3-1X	201-19-5-2X		
301496-1	PSO150-9A	Navistar	Replaced by 301556-2	Pull	1	201-518-10-5X	Alum	201-35-2	201-19-2-1X	201-15-13-1X	201-15-3-1X	201-19-5-2X		
301496-2	PSO150-9A	Navistar	Replaced by 301556-2	Pull	1	201-518-10-5X	Alum	201-35-2	201-19-2-1X	201-15-13-1X	201-15-3-1X	201-19-5-2X		
301496-3	PSO150-9A	Navistar	Replaced by 301556-2	Pull	1	201-518-10-5X	Alum	201-35-2	201-19-2-1X	201-15-13-1X	201-15-3-1X	201-19-5-2X		
301496-4	PSO150-9A	Navistar	Replaced by 301558-6	Pull	1	201-518-10-5X	Alum	201-35-2	201-19-2-1X	201-15-13-1X	201-15-3-1X	201-19-8-1X		
301496-5	PSO150-9A	Navistar	Replaced by 301558-5	Pull	1	201-518-21-2X	Alum	201-35-2	201-19-2-1X	201-15-13-1X	201-15-3-1X	201-19-5-2X		
301496-6	PSO150-9A	Service	Replaced by 301558-6	Pull	1	201-518-10-5X	Alum	201-35-2	201-19-2-1X	201-15-13-1X	201-15-3-1X	201-19-8-1X		
301499-1	PSO125-9A	Navistar	Replaced by 301556-2	Pull	1	201-518-10-5X	Alum	201-35-2	201-19-2-1X	201-15-13-1X	201-15-3-1X	201-19-5-2X		
301499-2	PSO125-9A	Navistar	Replaced by 301556-2	Pull	1	201-518-10-5X	Alum	201-35-2	201-19-2-1X	201-15-13-1X	201-15-3-1X	201-19-5-2X		
301499-3	PSO125-9A	Navistar	Replaced by 301556-3	Pull	2	201-518-14-5X	Alum	201-35-2	201-19-2-1X	201-15-13-1X	201-15-3-1X	201-19-5-2X		
301499-4	PSO125-9A	Navistar	Replaced by 301556-4	Pull	2	201-518-14-5X	Alum	201-35-7	201-19-2-1X	201-15-13-1X	201-15-3-1X	201-19-5-2X		
301500-1	PS95-9A	Navistar	Replaced by 301553-1	Pull	2	201-518-14-5X	Alum	201-35-2	201-19-2-1X	201-15-13-1X	201-15-3-1X	201-19-5-2X		
301500-2	PS95-9A	Navistar	Replaced by 301553-5	Pull	2	201-518-14-5X	Alum	201-35-6	201-19-2-1X	201-15-13-1X	201-15-3-1X	201-19-5-2X		
301500-3	PS95-9A	Navistar	Replaced by 301553-9	Pull	2	201-518-14-5X	Alum	201-35-7	201-19-2-1X	201-15-13-1X	201-15-3-1X	201-19-5-2X		
301500-4	PS95-9A	Navistar	Replaced by 301554-2	Pull	1	201-518-10-5X	Alum	201-35-2	201-19-2-1X	201-15-13-1X	201-15-3-1X	201-19-5-2X		
301500-7	PS95-9A	Navistar	Replaced by 301553-9	Pull	2	201-518-14-5X	Alum	201-35-7	201-19-2-1X	201-15-13-1X	201-15-3-1X	201-19-5-2X	201-452-1	6-4-6611-1
301500-9	PS95-9A	Navistar	Replaced by 301553-9	Pull	2	201-518-14-5X	Alum	201-35-7	201-19-2-1X	201-15-13-1X	201-15-3-1X	201-19-5-2X	201-452-1	6-4-6611-1
301547-1	LPS125-9A	Navistar	Replaced by 301567-2	Pull	1	201-518-20-2X	Alum	201-35-2	201-19-2-1X	201-15-13-1X	201-15-3-1X	201-19-5-2X		
301547-2	LPS125-9A	Navistar	Replaced by 301567-2	Pull	1	201-518-20-2X	Alum	201-35-2	201-19-2-1X	201-15-13-1X	201-15-3-1X	201-19-5-2X		
301548-1	LPSO125-9A	Navistar	Replaced by 301568-2	Pull	1	201-518-20-2X	Alum	201-35-2	201-19-2-1X	201-15-13-1X	201-15-3-1X	201-19-5-2X		
301548-1	LPSO125-9A	Navistar	W/Ext Oil Pump, Rplcd by 301568-2	Pull	1	201-518-20-2X	Alum	201-35-2	201-19-2-1X	201-15-13-1X	201-15-3-1X	201-19-5-2X		
301548-2	LPSO125-9A	Navistar	Replaced by 301568-2	Pull	1	201-518-20-2X	Alum	201-35-2	201-19-2-1X	201-15-13-1X	201-15-3-1X	201-19-5-2X		
301549-1	LPS140-9A	Navistar	Replaced by 301569-5	Pull	1	201-518-20-2X	Alum	201-35-2	201-19-2-1X	201-15-13-1X	201-15-3-1X	201-19-5-2X		
301549-2	LPS140-9A	Navistar	W/C SOIL PUMP, Rplcd by 301569-5	Pull	1	201-518-20-2X	Alum	201-35-2	201-19-2-1X	201-15-13-1X	201-15-3-1X	201-19-5-2X		

BILL OF MATERIALS

MODELS:

PS9

9 SPEED TRANSMISSION

**PS95-9A & PS125-9A,
PSO140-9A & PSO150-9A**

BM	Model	Cust	Note	Clutch Type	SAE	Clutch Housing		Input Shaft	Drive Gear	Front Case	Rear Case	MS Rear Big Cap	Speedo Drive	End Yoke
						Assembly #	Matl							
301549-3	LPS9-VPD	Navistar	Replaced by 301569-3	Pull	1	201-518-20-2X	Alum	201-35-2	201-19-2-1X	201-15-13-1X	201-15-3-1X	201-19-5-2X		
301549-4	LPS9-VPD	Navistar	Replaced by 301569-4	Pull	1	201-518-20-2X	Alum	201-35-2	201-19-2-1X	201-15-13-1X	201-15-3-1X	201-19-5-2X		
301549-5	LPS140-9A	Service	Replaced by 301569-5	Pull	1	201-518-20-2X	Alum	201-35-2	201-19-2-1X	201-15-13-1X	201-15-3-1X	201-19-5-2X		
301550-1	LPSO140-9A	Navistar	Replaced by 301570-2	Pull	1	201-518-20-2X	Alum	201-35-2	201-19-2-1X	201-15-13-1X	201-15-3-1X	201-19-5-2X		
301550-2	LPSO140-9A	Navistar	Replaced by 301570-2	Pull	1	201-518-20-2X	Alum	201-35-2	201-19-2-1X	201-15-13-1X	201-15-3-1X	201-19-5-2X		
301551-1	LPSO150-9A	Navistar	Replaced by 301571-4	Pull	1	201-518-20-2X	Alum	201-35-2	201-19-2-1X	201-15-13-1X	201-15-3-1X	201-19-5-2X		
301551-2	LPSO9-VPD	Navistar	Replaced by 301571-2	Pull	1	201-518-20-2X	Alum	201-35-2	201-19-2-1X	201-15-13-1X	201-15-3-1X	201-19-5-2X		
301551-3	LPSO9-VPD	Navistar	Replaced by 301571-3	Pull	1	201-518-20-2X	Alum	201-35-2	201-19-2-1X	201-15-13-1X	201-15-3-1X	201-19-5-2X		
301551-4	LPSO150-9A	Service	Replaced by 301571-4	Pull	1	201-518-20-2X	Alum	201-35-2	201-19-2-1X	201-15-13-1X	201-15-3-1X	201-19-5-2X		
301553-1	PS95-9A	Navistar		Pull	2	201-518-14-5X		201-35-2	201-19-2-1X	201-15-13-1X	201-15-3-1X	201-19-5-2X		
301553-2	PS95-9A	Navistar	Replaced by 301553-5	Pull	2	201-518-14-5X		201-35-6	201-19-2-1X	201-15-13-1X	201-15-3-1X	201-19-5-2X		
301553-3	PS95-9A	Navistar	Replaced by 301553-9	Pull	2	201-518-14-5X		201-35-7	201-19-2-1X	201-15-13-1X	201-15-3-1X	201-19-5-2X		
301553-4	PS95-9A	Navistar		Pull	1	201-518-10-5X		201-35-2	201-19-2-1X	201-15-13-1X	201-15-3-1X	201-19-5-2X		
301553-5	PS95-9A	TSP		Pull	2	201-518-14-5X		201-35-6	201-19-2-1X	201-15-13-1X	201-15-3-1X	201-19-5-2X		201-452-1
301553-7	PS95-9A	Navistar	Replaced by 301553-9	Pull	2	201-518-14-5X		201-35-7	201-19-2-1X	201-15-13-1X	201-15-3-1X	201-19-5-2X		201-452-1
301553-9	PS95-9A	Navistar		Pull	2	201-518-14-5X		201-35-7	201-19-2-1X	201-15-13-1X	201-15-3-1X	201-19-5-2X		201-452-1
301554-1	PS125-9A	Navistar	Service Replacement 301554-2	Pull	1	201-518-10-5X		201-35-2	201-19-2-1X	201-15-13-1X	201-15-3-1X	201-19-5-2X		201-37-6
301554-2	PS125-9A	Navistar		Pull	1	201-518-10-5X		201-35-2	201-19-2-1X	201-15-13-1X	201-15-3-1X	201-19-5-2X		
301554-3	PS125-9A	Navistar	Service Replacement 301554-7	Pull	1	201-518-10-5X		201-35-2	201-19-2-1X	201-15-13-1X	201-15-3-1X	201-19-5-2X		
301554-4	PS125-9A	Navistar	Service Replacement 301554-7	Pull	1	201-518-10-5X		201-35-2	201-19-2-1X	201-15-13-1X	201-15-3-1X	201-19-5-2X		
301554-5	PS125-9A	Navistar	Service Replacement 301554-7	Pull	1	201-518-10-5X		201-35-2	201-19-2-1X	201-15-13-1X	201-15-3-1X	201-19-5-2X		
301554-6	PS125-9A	Navistar		Pull	2	201-518-14-5X		201-35-2	201-19-2-1X	201-15-13-1X	201-15-3-1X	201-19-5-2X		
301554-7	PS125-9A	Navistar		Pull	1	201-518-10-5X		201-35-2	201-19-2-1X	201-15-13-1X	201-15-3-1X	201-19-5-2X		
301555-1	PS140-9A	Navistar	Service Replacement 301555-5	Pull	1	201-518-10-5X		201-35-2	201-19-2-1X	201-15-13-1X	201-15-3-1X	201-19-5-2X		
301555-2	PS140-9A	Navistar	Service Replacement 301555-5	Pull	1	201-518-10-5X		201-35-2	201-19-2-1X	201-15-13-1X	201-15-3-1X	201-19-5-2X		
301555-3	PS140-9A	Navistar	Service Replacement 301555-5	Pull	1	201-518-10-5X		201-35-2	201-19-2-1X	201-15-13-1X	201-15-3-1X	201-19-5-2X		
301555-4	PS140-9A	Navistar	Service Replacement 301555-5	Pull	1	201-518-10-5X		201-35-2	201-19-2-1X	201-15-13-1X	201-15-3-1X	201-19-5-2X		
301555-5	PS140-9A	Navistar		Pull	1	201-518-10-5X		201-35-2	201-19-2-1X	201-15-13-1X	201-15-3-1X	201-19-5-2X		
301556-1	PSO125-9A	Navistar	Service Replacement 301556-2	Pull	1	201-518-10-5X		201-35-2	201-19-2-1X	201-15-13-1X	201-15-3-1X	201-19-5-2X		
301556-2	PSO125-9A	Navistar		Pull	1	201-518-10-5X		201-35-2	201-19-2-1X	201-15-13-1X	201-15-3-1X	201-19-5-2X		
301556-3	PSO125-9A	Navistar		Pull	2	201-518-14-5X		201-35-2	201-19-2-1X	201-15-13-1X	201-15-3-1X	201-19-5-2X		
301556-4	PSO125-9A	Navistar		Pull	2	201-518-14-5X		201-35-7	201-19-2-1X	201-15-13-1X	201-15-3-1X	201-19-5-2X		
301557-1	PSO140-9A	Navistar	Service Replacement 301557-2	Pull	1	201-518-10-5X		201-35-2	201-19-2-1X	201-15-13-1X	201-15-3-1X	201-19-5-2X		
301557-2	PSO140-9A	Navistar		Pull	1	201-518-10-5X		201-35-2	201-19-2-1X	201-15-13-1X	201-15-3-1X	201-19-5-2X		
301557-6	PSO140-9A	Navistar	Service Replacement 301557-7	Pull	1	201-518-21-2X		201-35-2	201-19-2-1X	201-15-13-1X	201-15-3-1X	201-19-5-2X		201-37-7

6.5-4-3451

BILL OF MATERIALS

MODELS:

PS9

9 SPEED TRANSMISSION

**PS95-9A & PS125-9A,
PSO140-9A & PSO150-9A**

BM	Model	Cust	Note	Clutch Type	SAE	Clutch Housing		Input Shaft	Drive Gear	Front Case	Rear Case	MIS Rear Big Cap	Speedo Drive	End Yoke
						Assembly #	Matl							
301557-7	PSO140-9A	TSP	W/Neutral Start Provision	Pull	1	201-518-21-2X		201-35-2	201-19-2-1X	201-15-13-1X	201-15-3-1X	201-19-5-2X	201-452-1	
301558-1	PSO150-9A	Navistar	Service Replacement 301558-2	Pull	1	201-518-10-5X	Alum	201-35-2	201-19-2-1X	201-15-13-1X	201-15-3-1X	201-19-5-2X		
301558-2	PSO150-9A	Navistar		Pull	1	201-518-10-5X	Alum	201-35-2	201-19-2-1X	201-15-13-1X	201-15-3-1X	201-19-5-2X		
301558-3	PSO150-9A	Navistar	Service Replacement 301558-2	Pull	1	201-518-10-5X	Alum	201-35-2	201-19-2-1X	201-15-13-1X	201-15-3-1X	201-19-5-2X		
301558-4	PSO150-9A	Navistar	Service Replacement 301558-6	Pull	1	201-518-10-5X	Alum	201-35-2	201-19-2-1X	201-15-13-1X	201-15-3-1X	201-19-5-2X		
301558-5	PSO150-9A	Navistar	W/Neutral Start Provision	Pull	1	201-518-21-2X	Alum	201-35-2	201-19-2-1X	201-15-13-1X	201-15-3-1X	201-19-5-2X		
301558-6	PSO150-9A	Navistar		Pull	1	201-518-10-5X	Alum	201-35-2	201-19-2-1X	201-15-13-1X	201-15-3-1X	201-19-8-1X		
301558-7	PSO150-9A	MOL Group	Service Replacement 301558-6	Pull	1	201-518-10-5X	Alum	201-35-2	201-19-2-1X	201-15-13-1X	201-15-3-1X	201-19-8-1X	201-37-6	6.5-1-2271
301567-2	LPSt125-9A	Navistar		Pull	1	201-518-20-2X	Alum	201-35-2	201-19-2-1X	201-15-13-1X	201-15-3-1X	201-19-5-2X		
301568-2	LPSt125-9A	Navistar		Pull	1	201-518-20-2X	Alum	201-35-2	201-19-2-1X	201-15-13-1X	201-15-3-1X	201-19-5-2X		
301569-1	LPSt140-9A	Navistar	Service Replacement 301569-5	Pull	1	201-518-20-2X	Alum	201-35-2	201-19-2-1X	201-15-13-1X	201-15-3-1X	201-19-5-2X		
301569-2	LPSt140-9A	Navistar	Service Replacement 301569-5	Pull	1	201-518-20-2X	Alum	201-35-2	201-19-2-1X	201-15-13-1X	201-15-3-1X	201-19-5-2X		
301569-3	LPSt140-9A	Navistar	Service Replacement 301569-5	Pull	1	201-518-20-2X	Alum	201-35-2	201-19-2-1X	201-15-13-1X	201-15-3-1X	201-19-5-2X		
301569-4	LPSt140-9A	Navistar	Service Replacement 301569-5	Pull	1	201-518-20-2X	Alum	201-35-2	201-19-2-1X	201-15-13-1X	201-15-3-1X	201-19-5-2X		
301569-5	LPSt140-9A	Service		Pull	1	201-518-20-2X	Alum	201-35-2	201-19-2-1X	201-15-13-1X	201-15-3-1X	201-19-5-2X		
301570-2	LPSt140-9A	Navistar		Pull	1	201-518-20-2X	Alum	201-35-2	201-19-2-1X	201-15-13-1X	201-15-3-1X	201-19-5-2X		
301571-1	LPSt150-9A	Navistar	Service Replacement 300571-4	Pull	1	201-518-20-2X	Alum	201-35-2	201-19-2-1X	201-15-13-1X	201-15-3-1X	201-19-5-2X		
301571-2	LPSt150-9A	Navistar		Pull	1	201-518-20-2X	Alum	201-35-2	201-19-2-1X	201-15-13-1X	201-15-3-1X	201-19-5-2X		
301571-3	LPSt150-9A	Navistar		Pull	1	201-518-20-2X	Alum	201-35-2	201-19-2-1X	201-15-13-1X	201-15-3-1X	201-19-5-2X		
301571-4	LPSt150-9A	Service		Pull	1	201-518-20-2X	Alum	201-35-2	201-19-2-1X	201-15-13-1X	201-15-3-1X	201-19-5-2X		



14700 Helm Court
Plymouth, MI 48170
(800) 401-9866 or (734) 456-3770
Fax: (734) 456-3739
www.ttcautomotive.com

